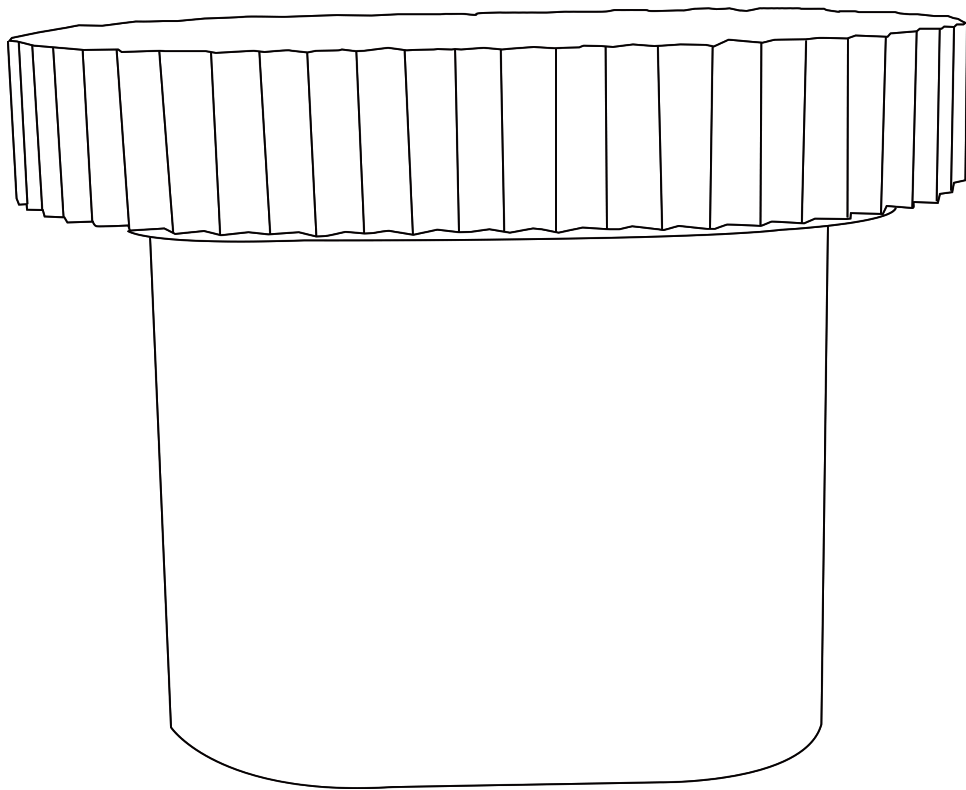
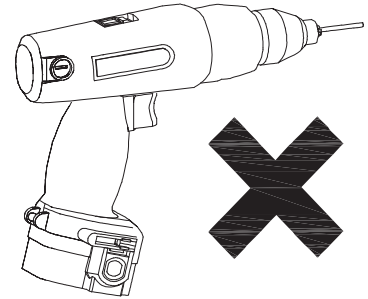
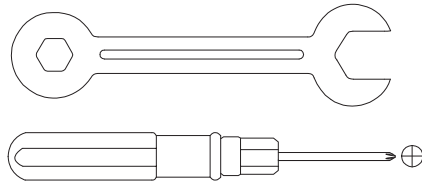
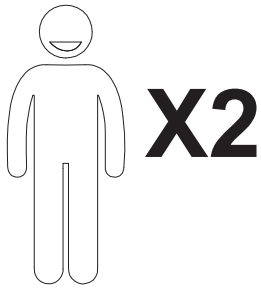


# Coffee Table

## Assembly Instructions

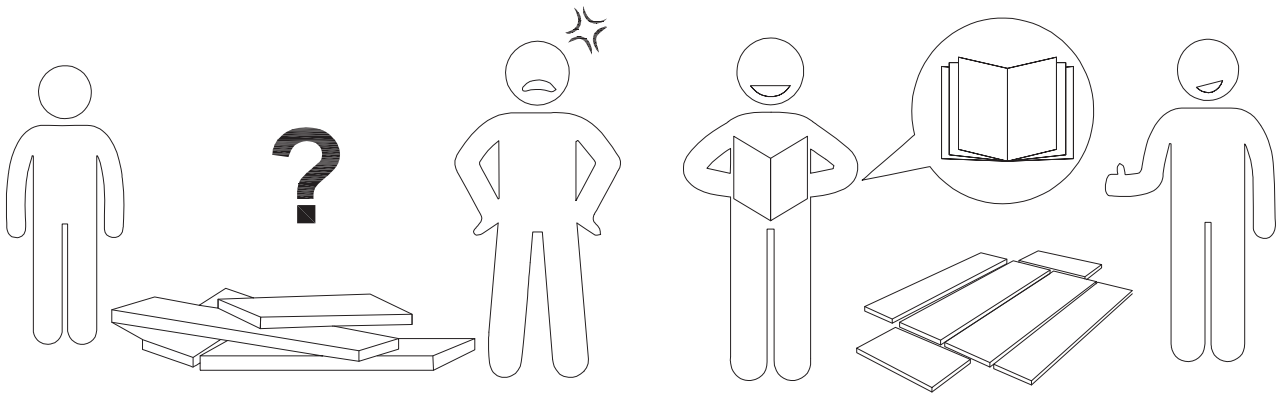




We recommend using hand tools for assembly.

If an electric screwdriver is used, reduce power and torque to avoid damage to the product.

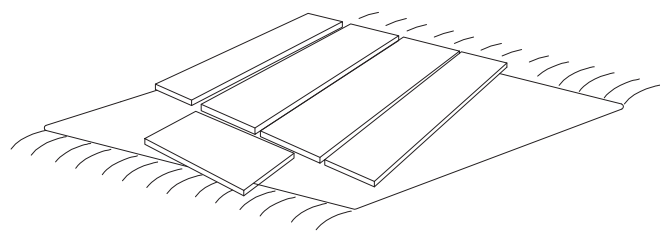
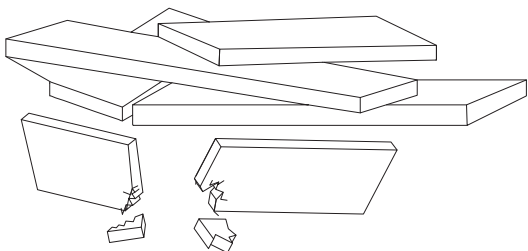
---

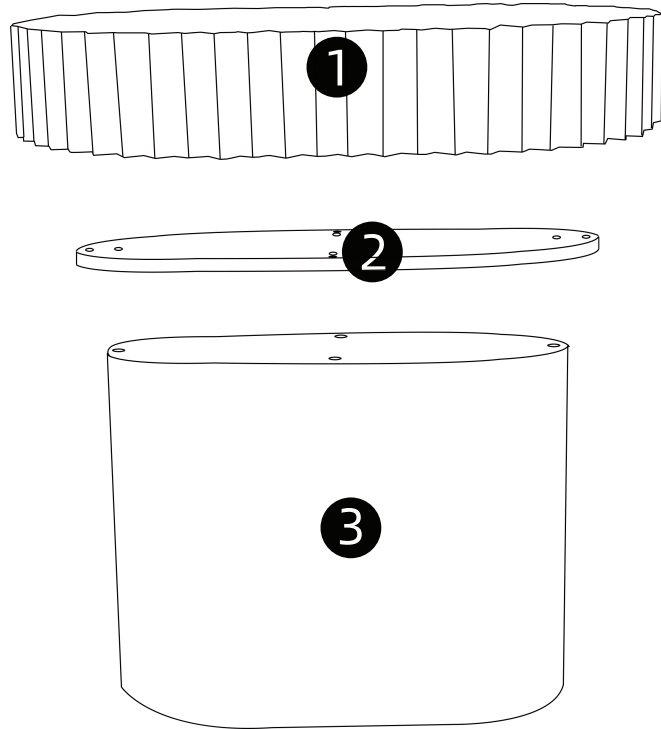


---

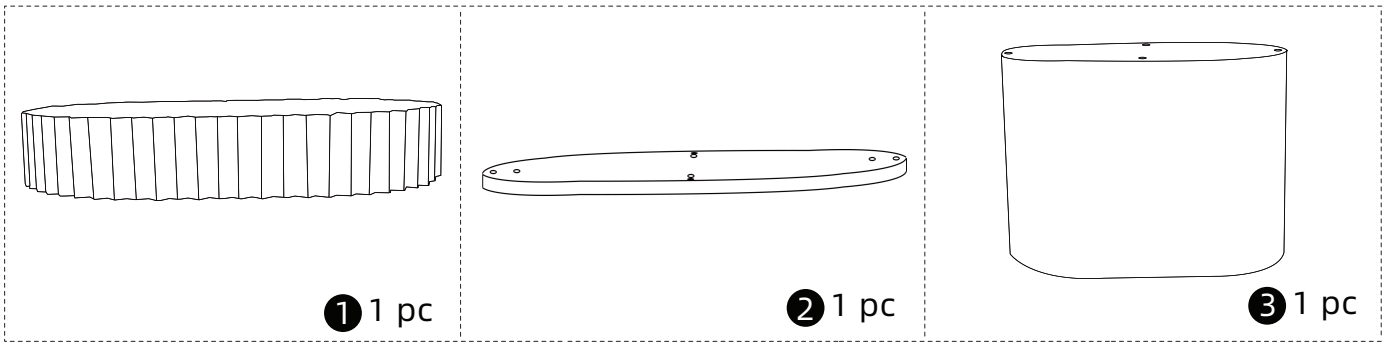
## AVOID SCRATCHES

In order to avoid scratching, this furniture should be assembled on a soft surface, such as a rug.

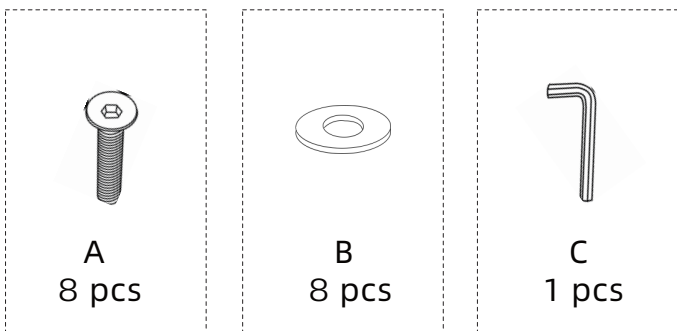




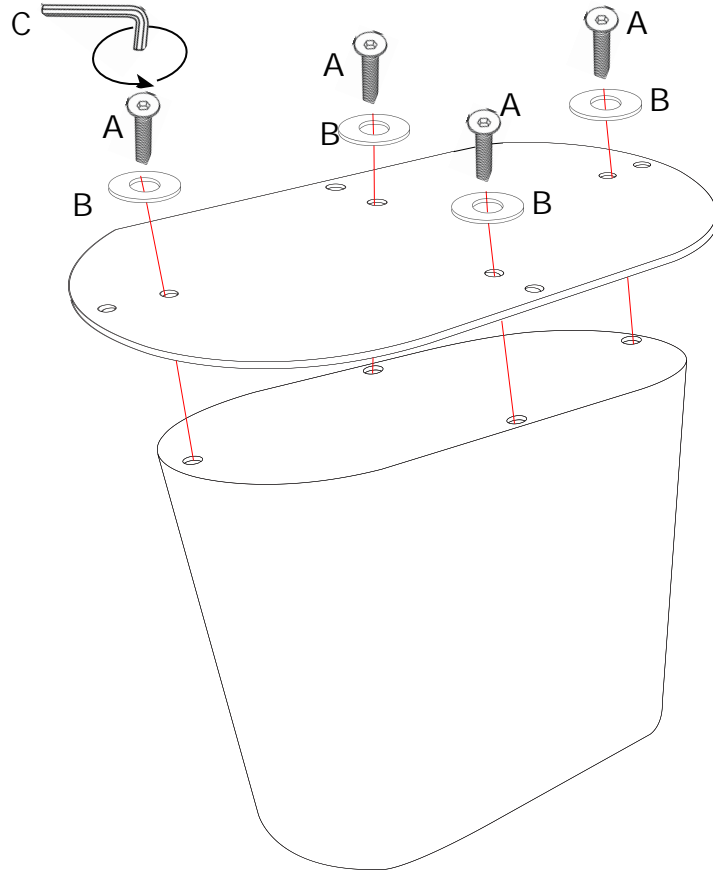
## Parts List



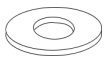
## Hardware List



1

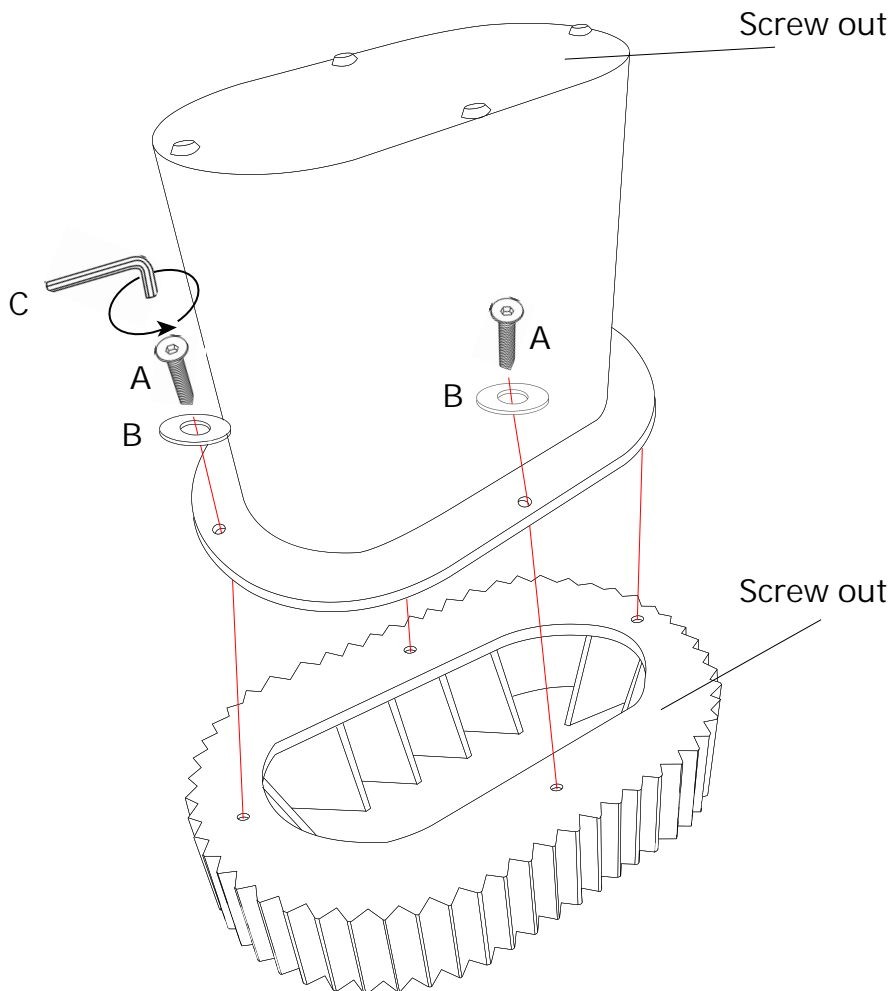


A  
4 pcs



B  
4 pcs

2

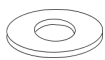


Screw out

Screw out



A  
4 pcs



B  
4 pcs