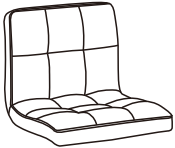
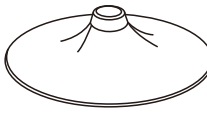


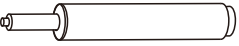



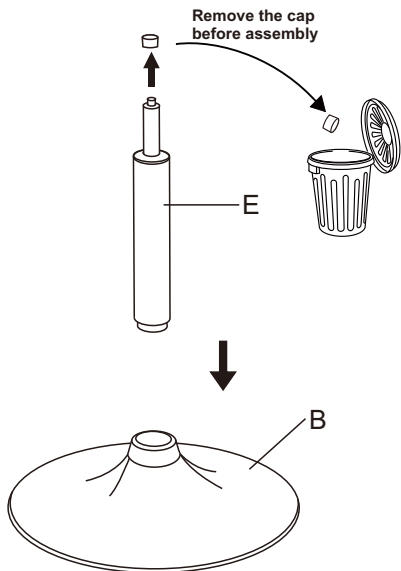
Assembly Instruction

Item No.: F1565,F1566,F1640

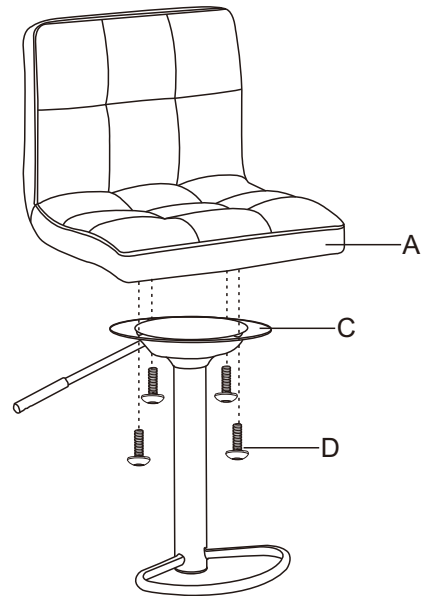
parts	Ax1	Bx1	Cx1	Dx4
	 Seat	 Collet	 Conjoined pallet	 M6x3/4" Screw
	Ex1	Hx1		

 Gas Lift	 5# Spanner		
---	---	--	--

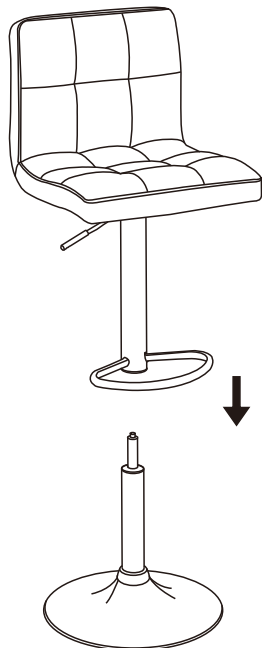
1



2



3



4

