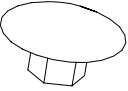

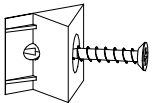
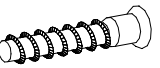

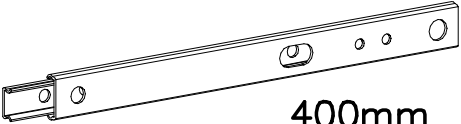


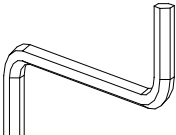

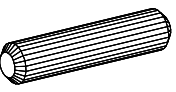
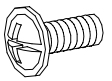
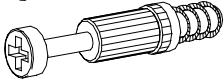
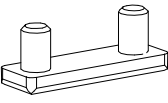
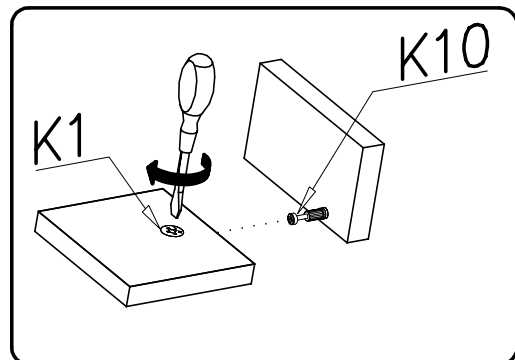
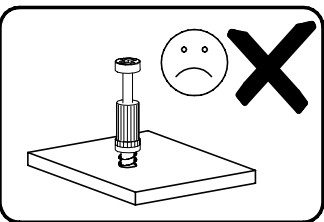
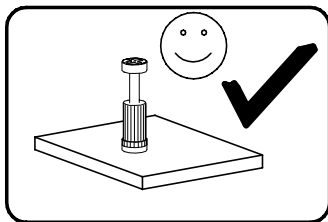
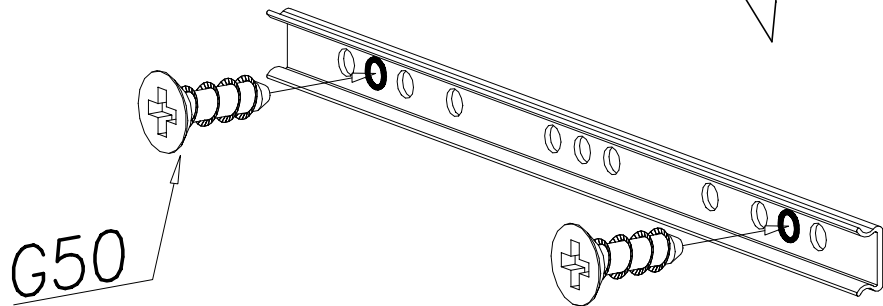
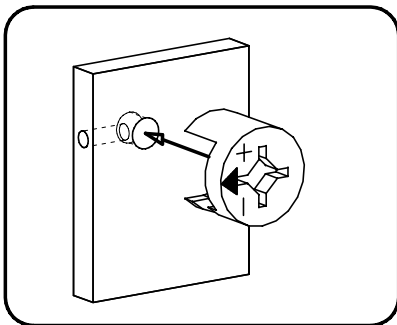
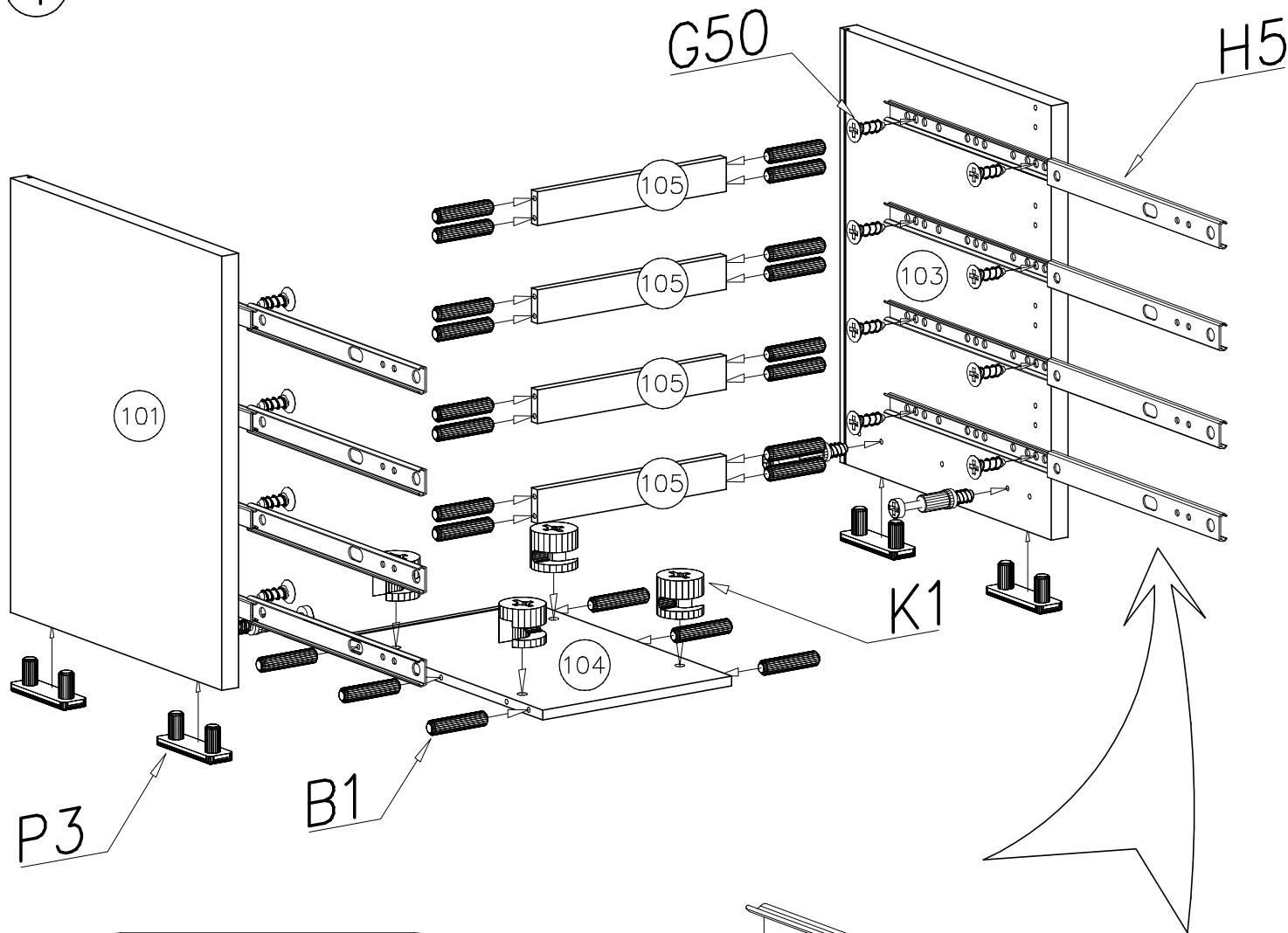
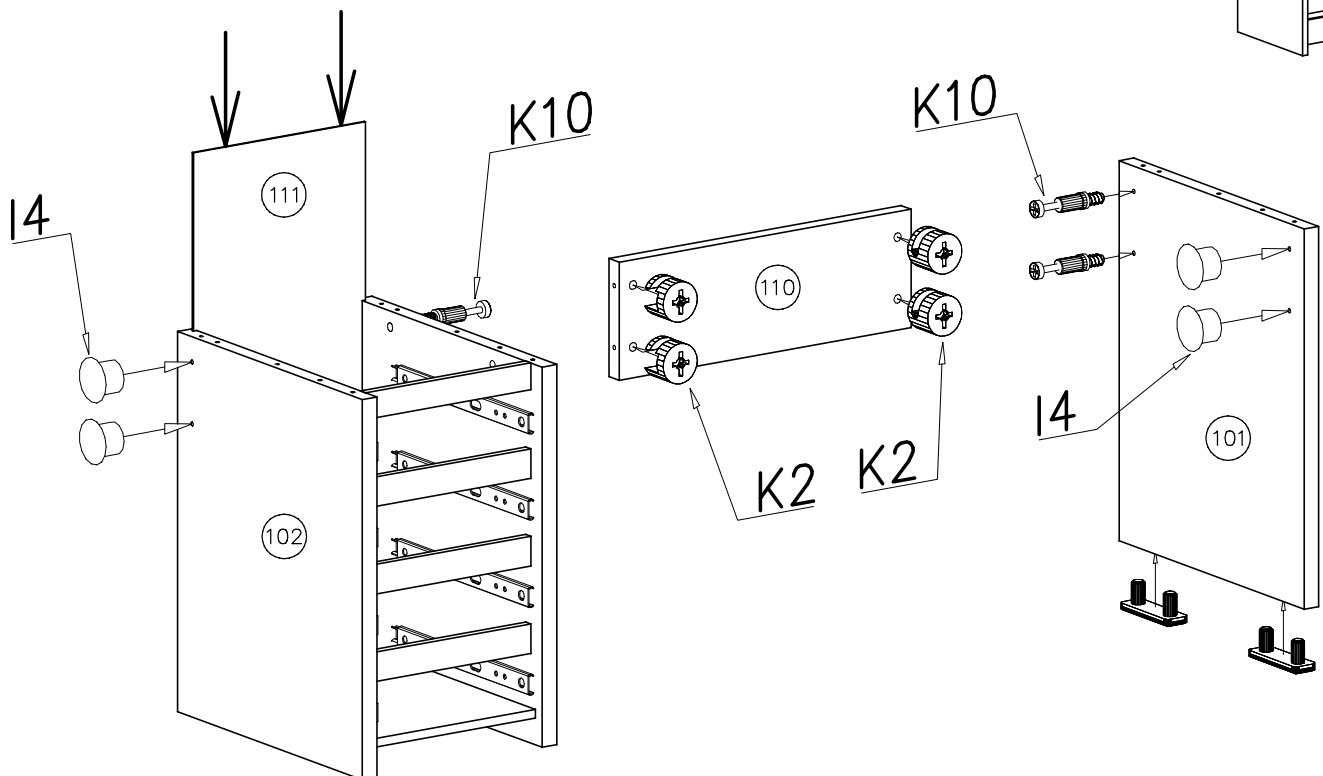
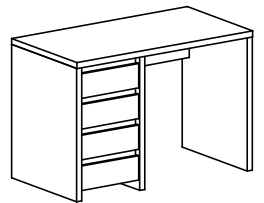
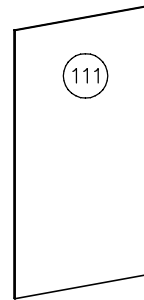
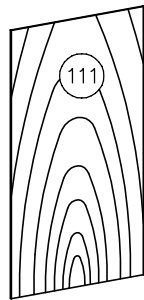
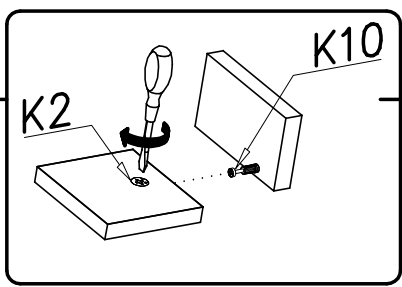
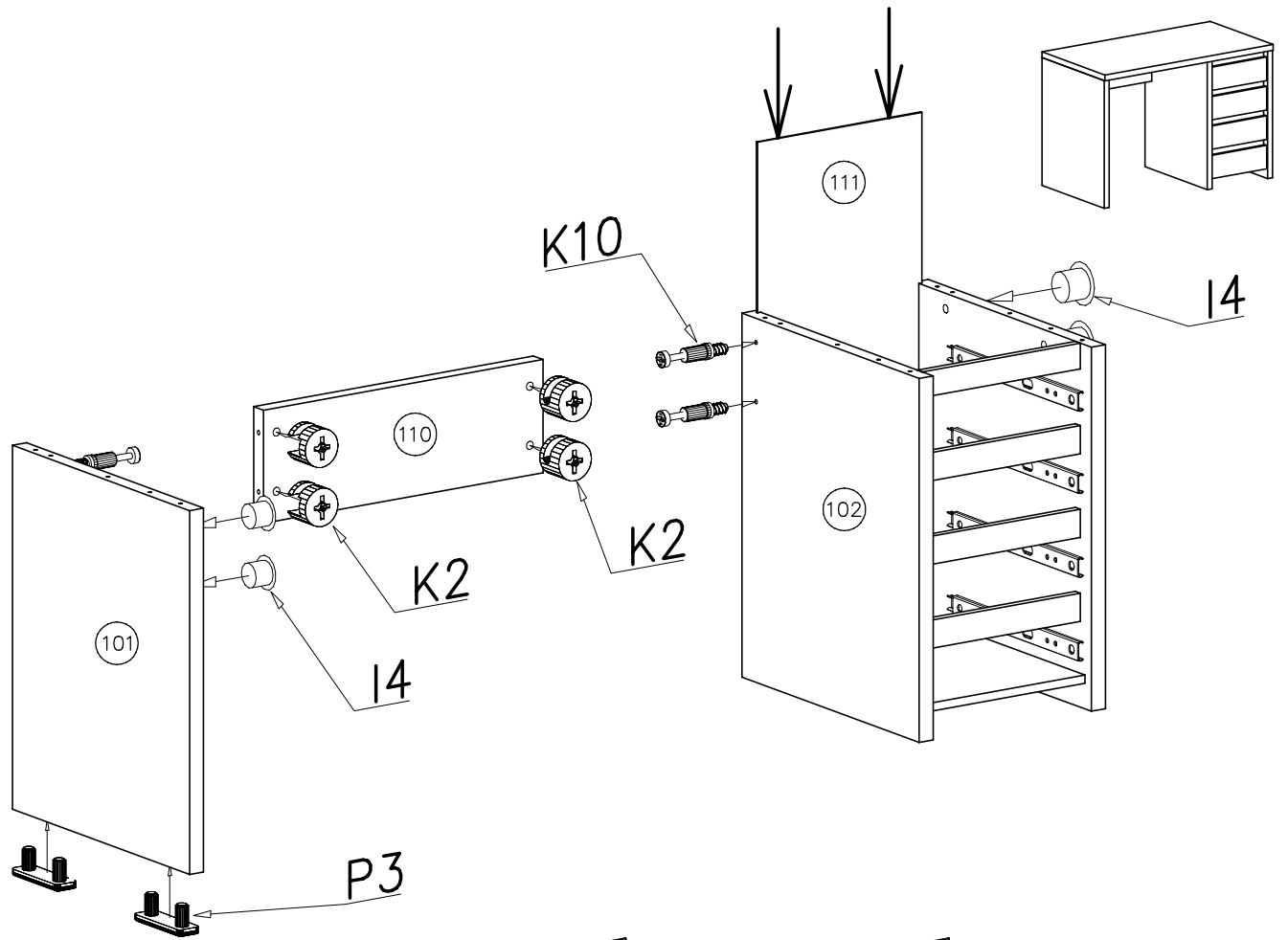


	17		x14	14		ø5	x4	11		x6						
A6		ø7x40	x16	G50		6x13	x16	H5		400mm	x8					
K2		19mm	ø15x19	x10	K1		12mm	ø15x12	x4	W2		x1	W1		GLUE, LEIM, LEPIDLO, LIM	x2
B1		ø8x35	x31	N1		M4x9	x8	K10		x14	P3		x6			

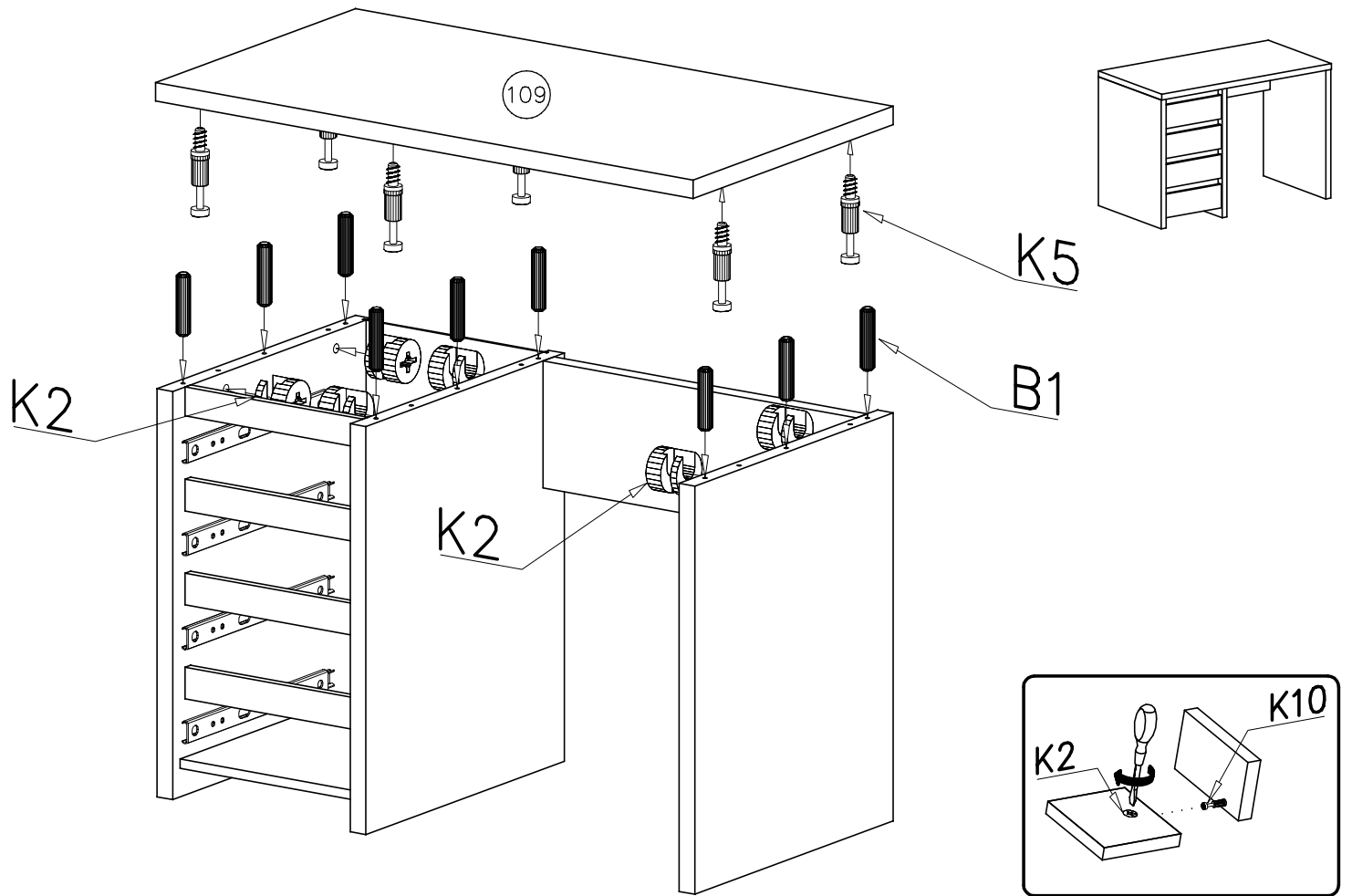
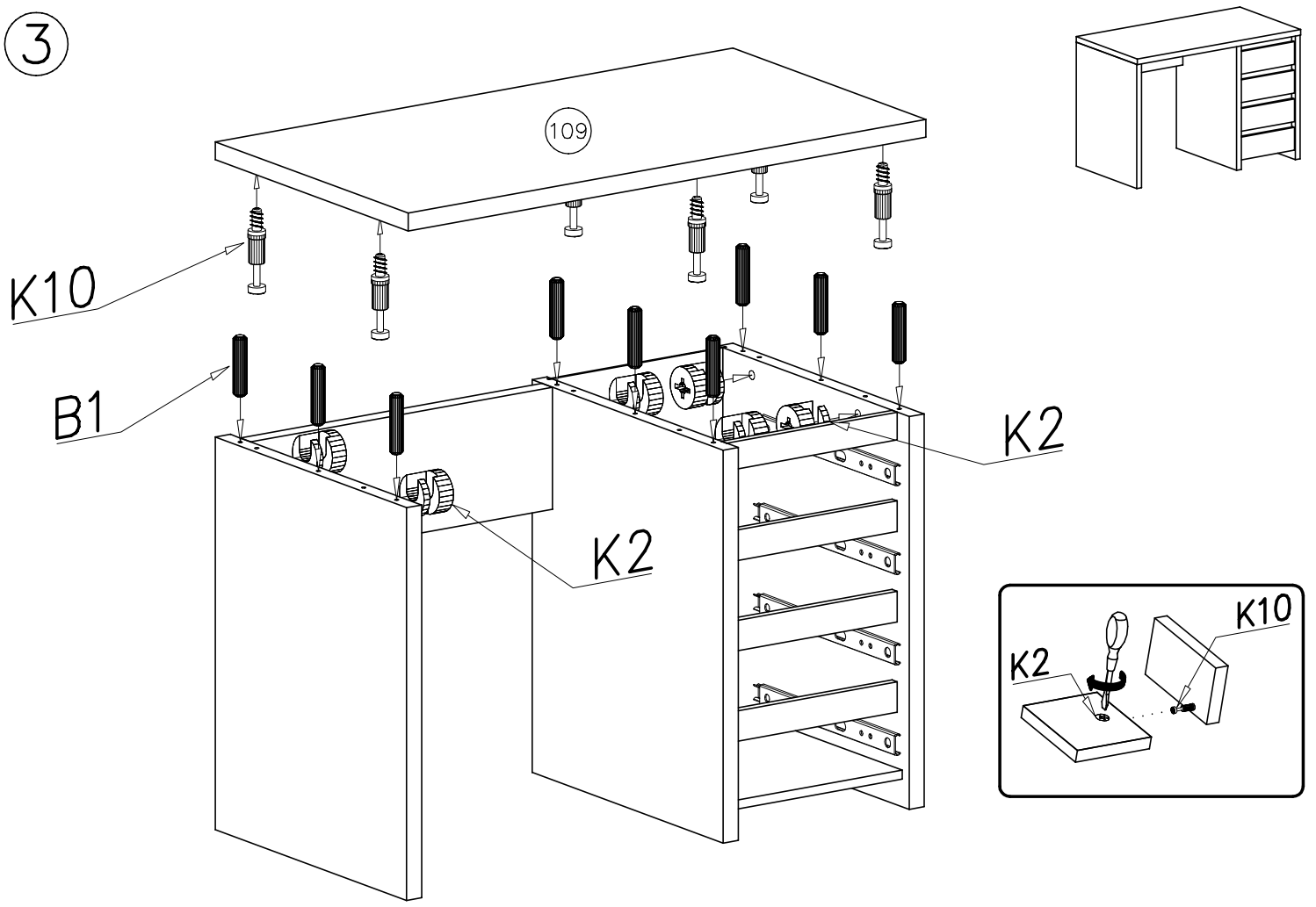
1



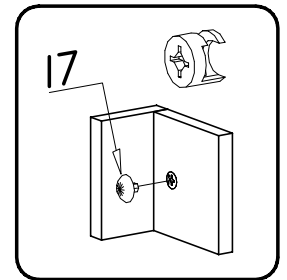
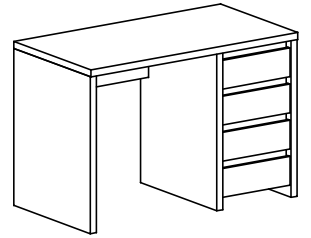
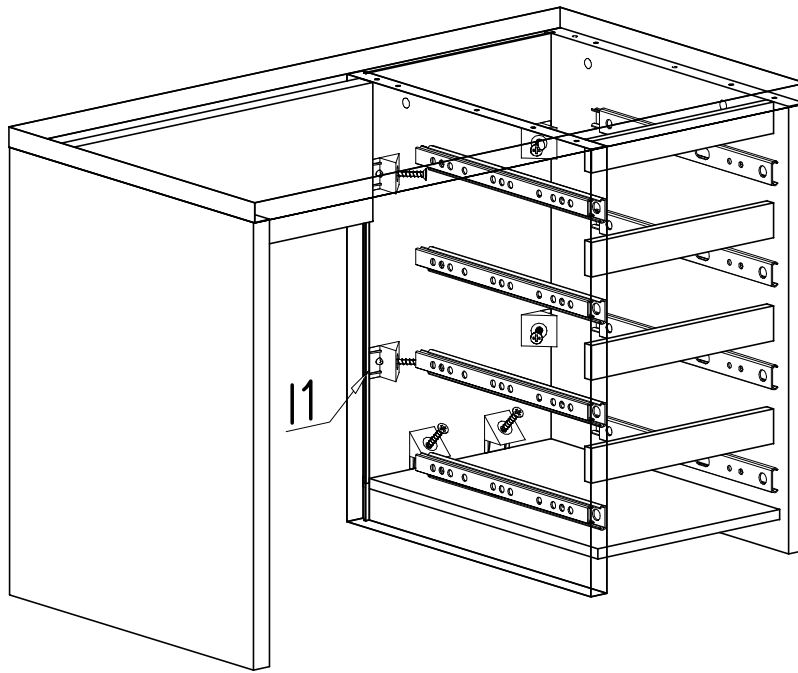
2



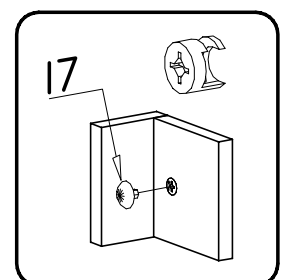
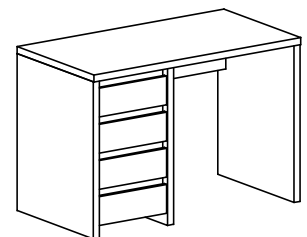
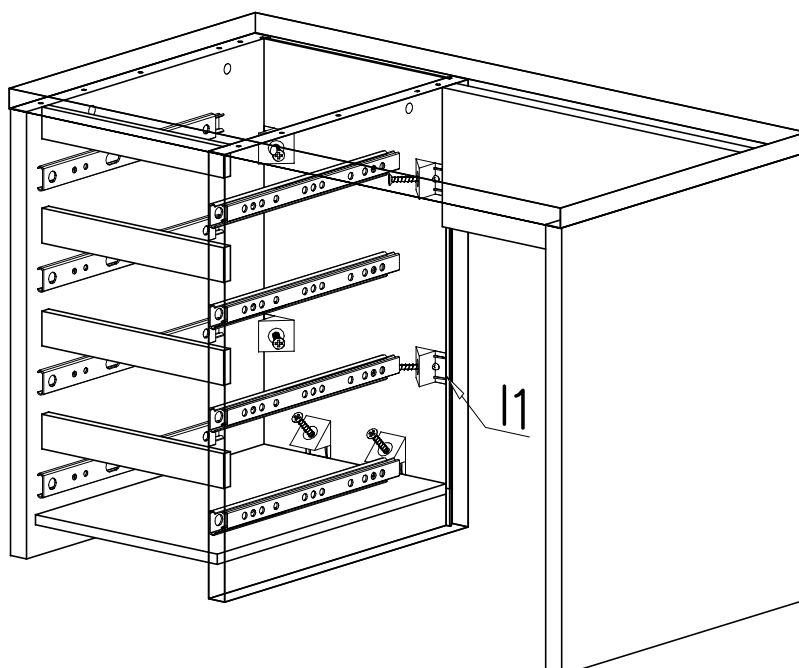
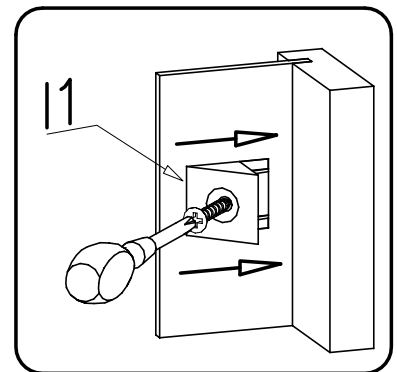
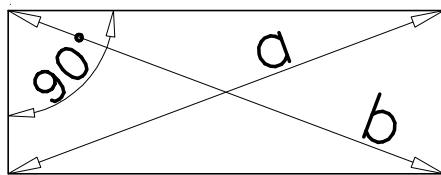
3



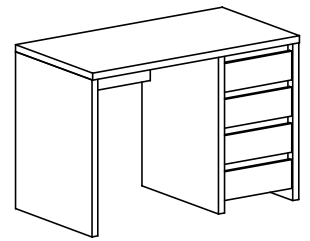
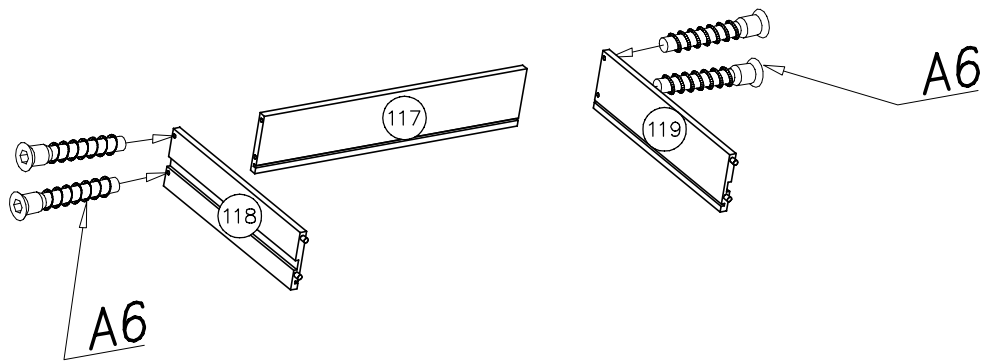
4



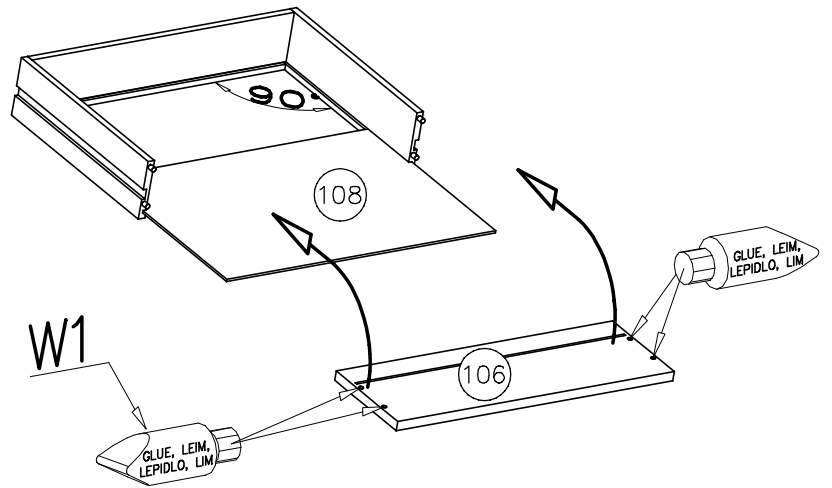
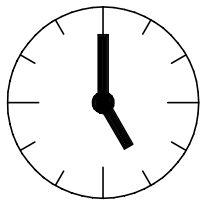
$a=b$



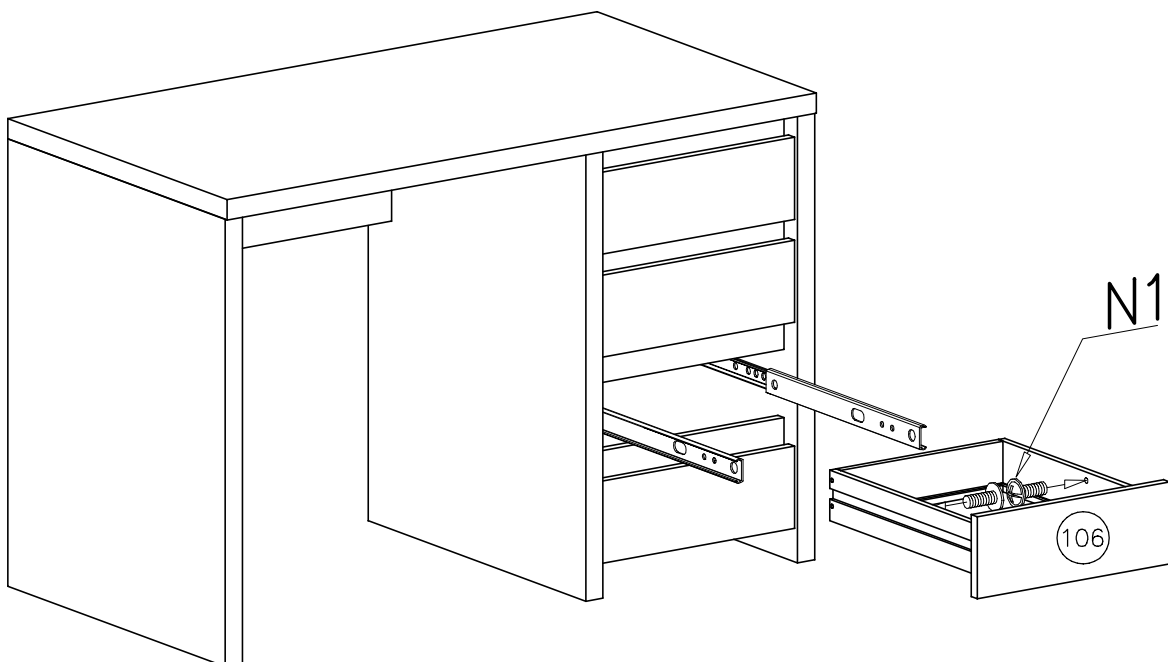
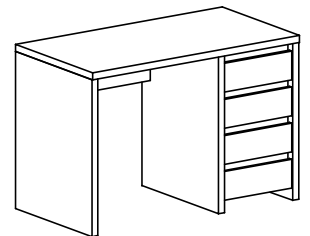
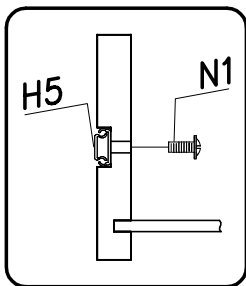
5



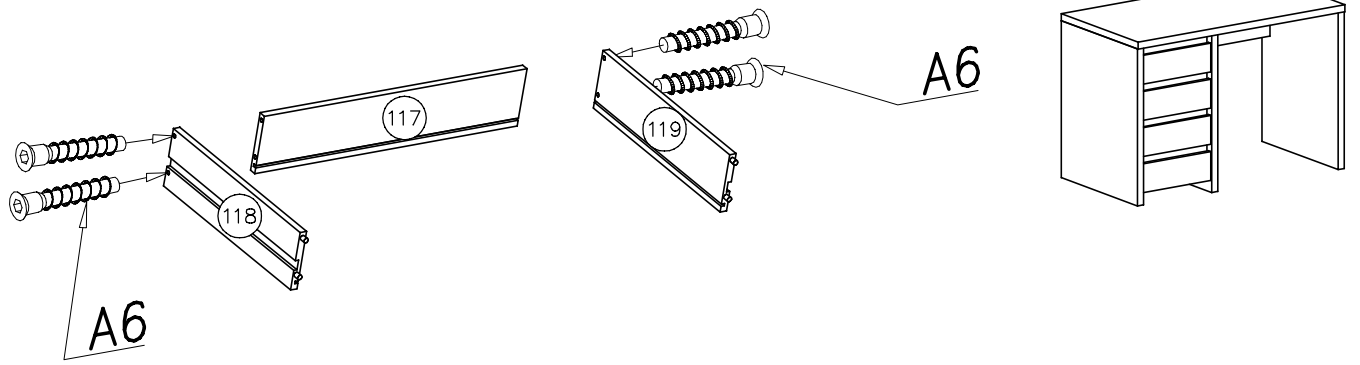
0,5h



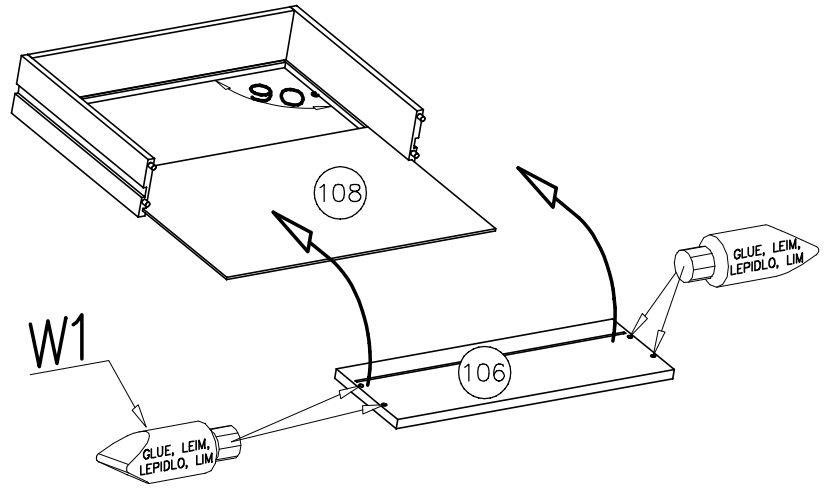
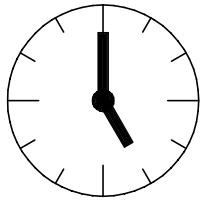
6



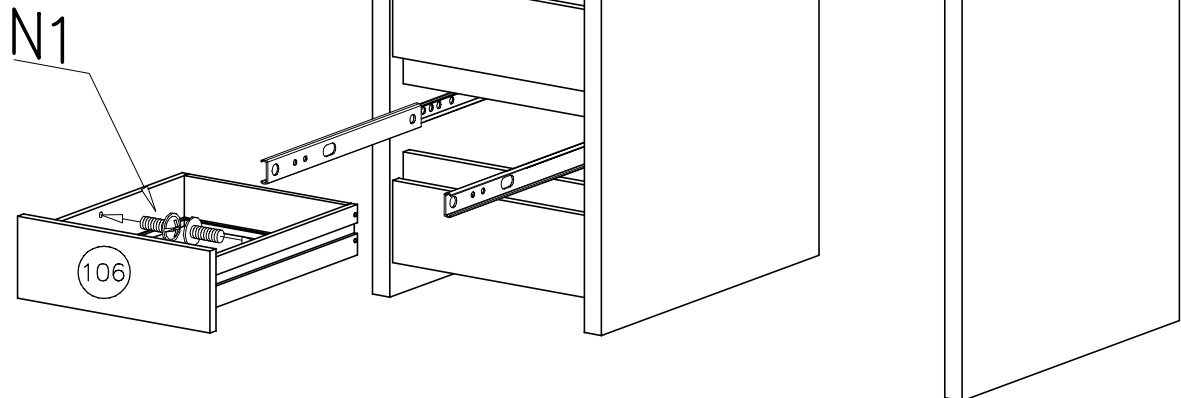
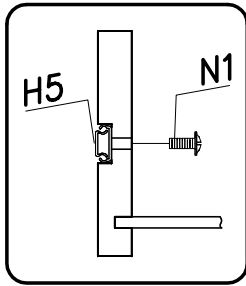
5

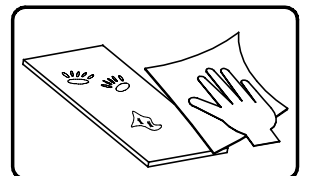
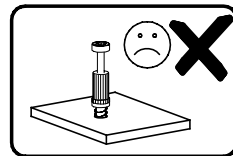
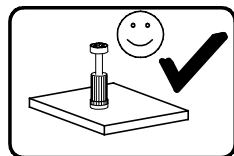
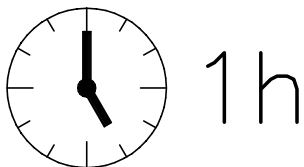
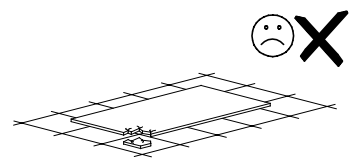
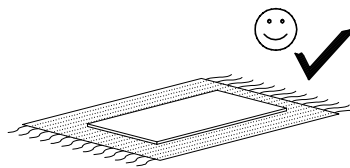
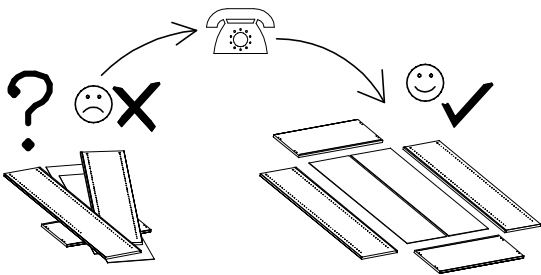
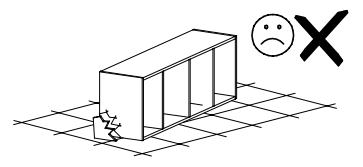
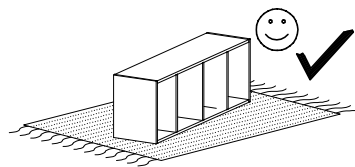
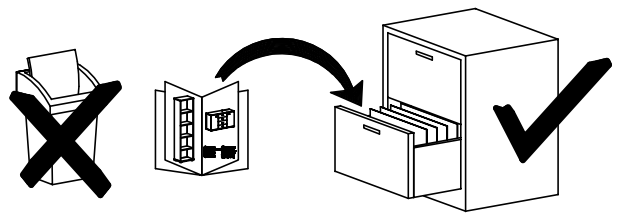
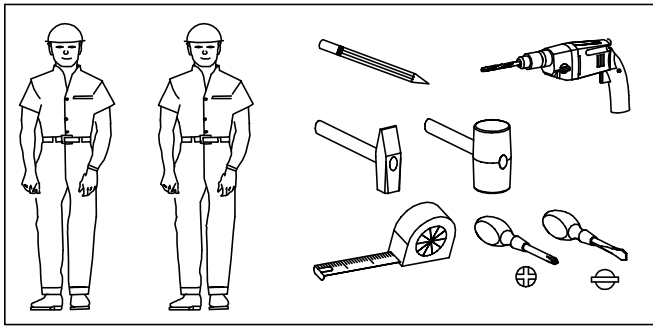
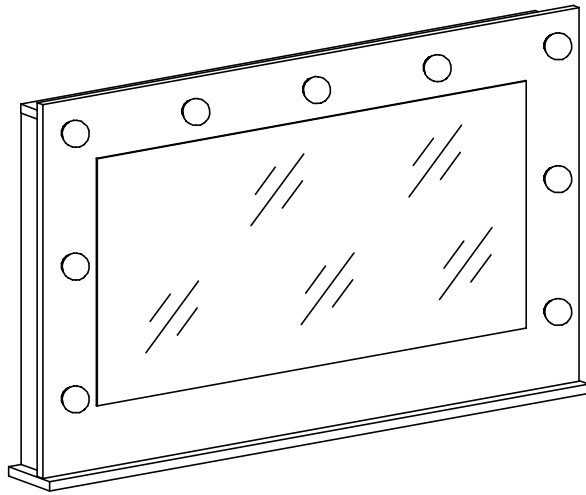


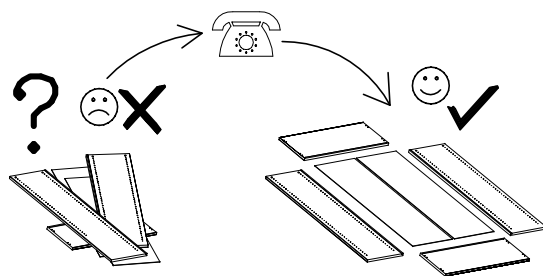
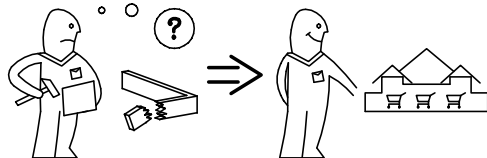
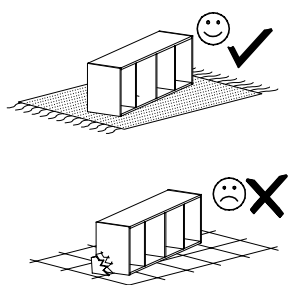
0,5h



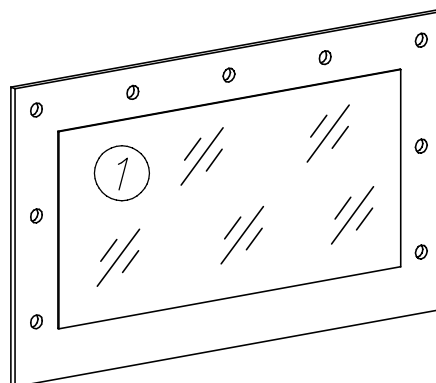
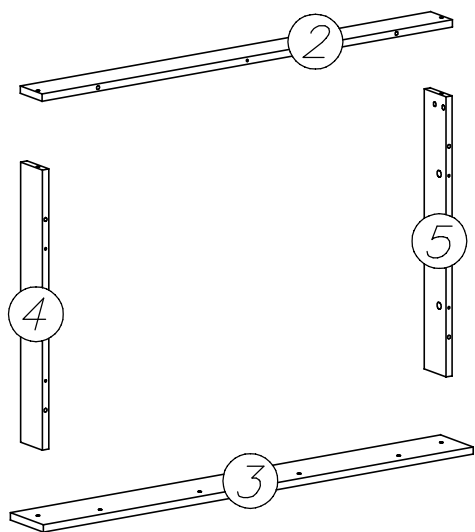
6


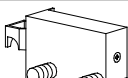
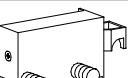

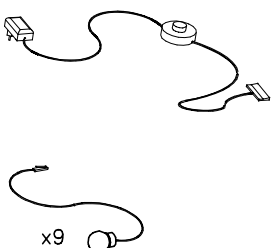
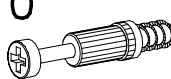

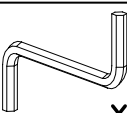



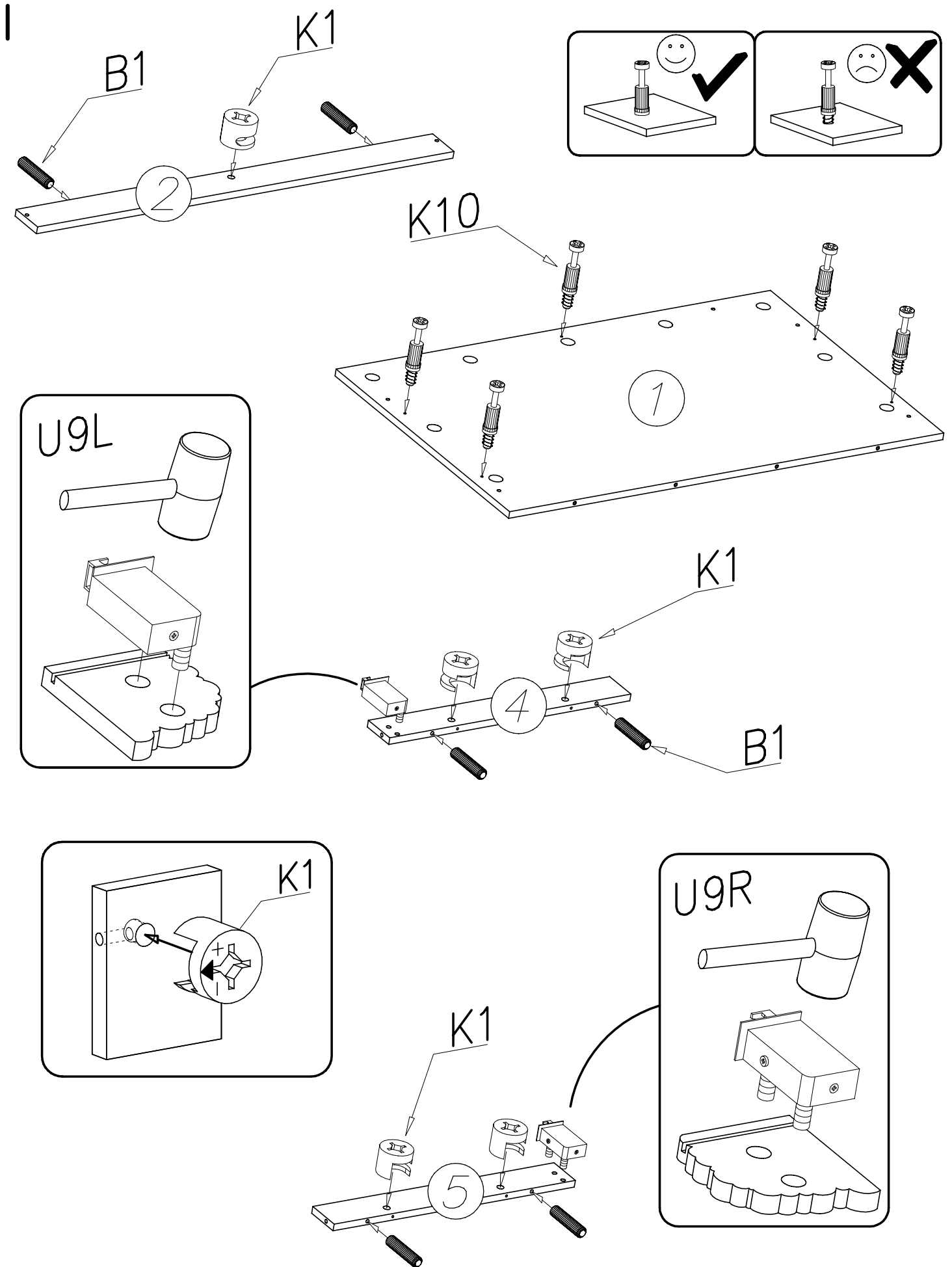
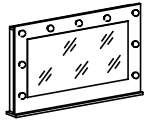


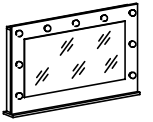


nr	L[mm]	B[mm]	T[mm]	Menge	Colli
1	1100	650	16	1	1/1
2	1055	79	16	1	1/1
3	1104	120	16	1	1/1
4	611	79	16	1	1/1
5	611	79	16	1	1/1

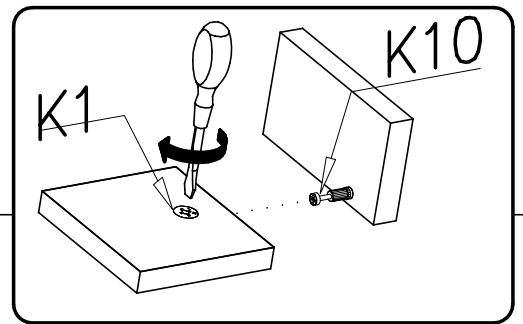
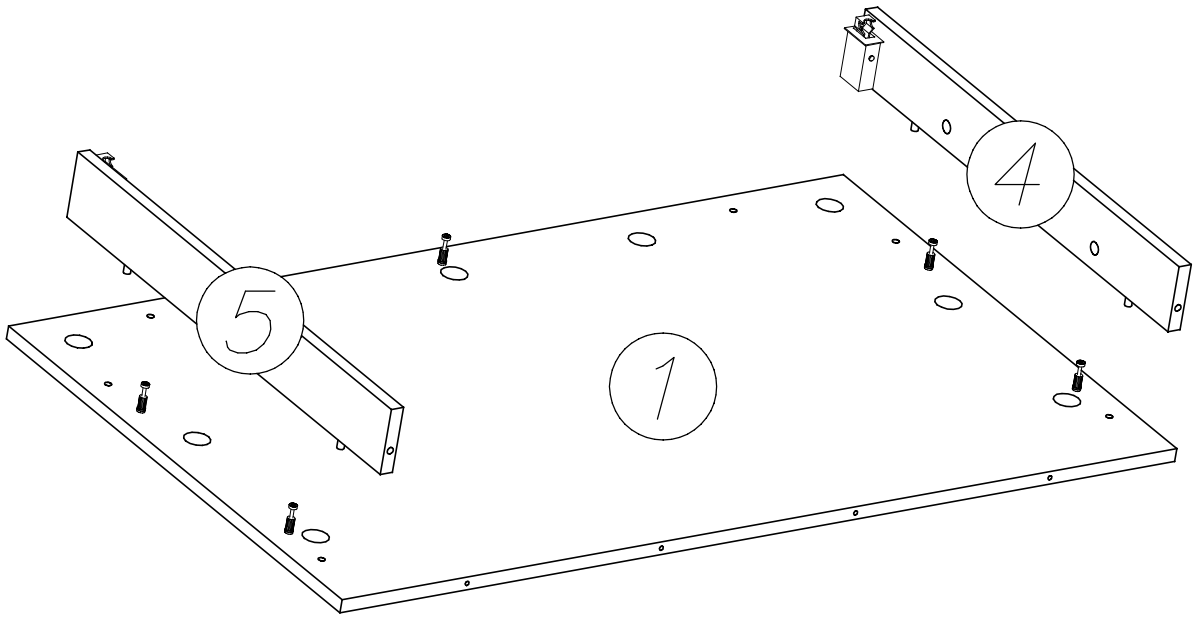


K1  $\varnothing 15 \times 12$ x...(5)	U9L  x...(1)	U9R  x...(1)	I9  $\varnothing 12$ x...(8)	W20  x9 x...(1)
K10  x...(5)	B1  $\varnothing 8 \times 35$ x...(6)	W2  x...(1)	A1  $\varnothing 7 \times 50$ x...(8)	

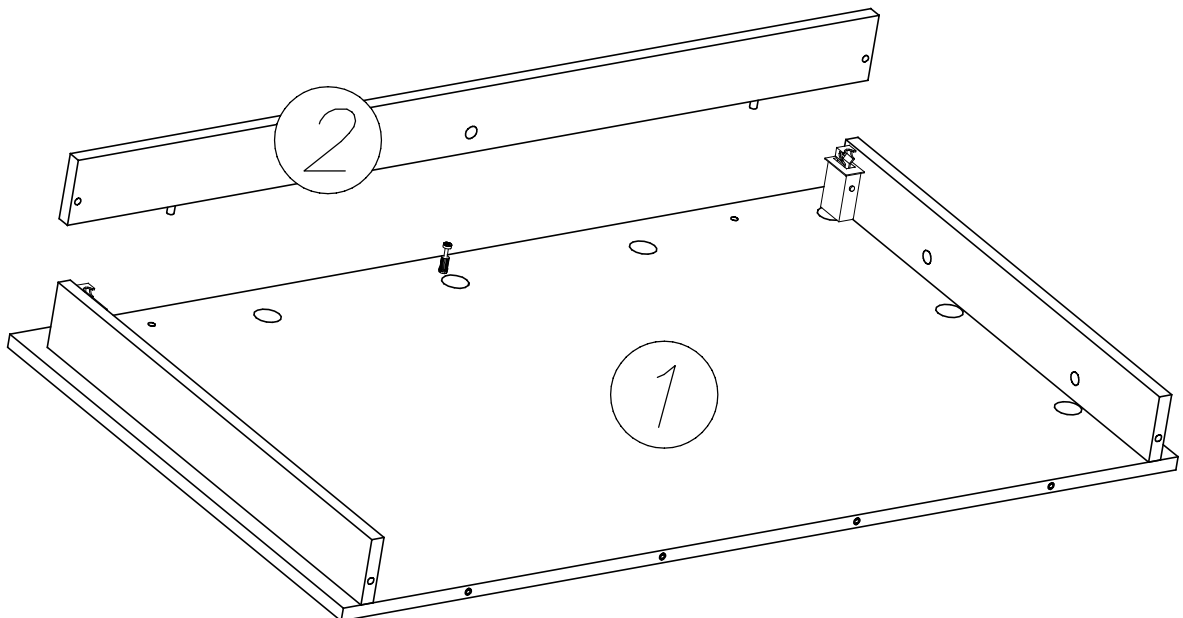


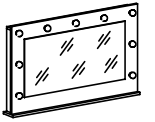


II

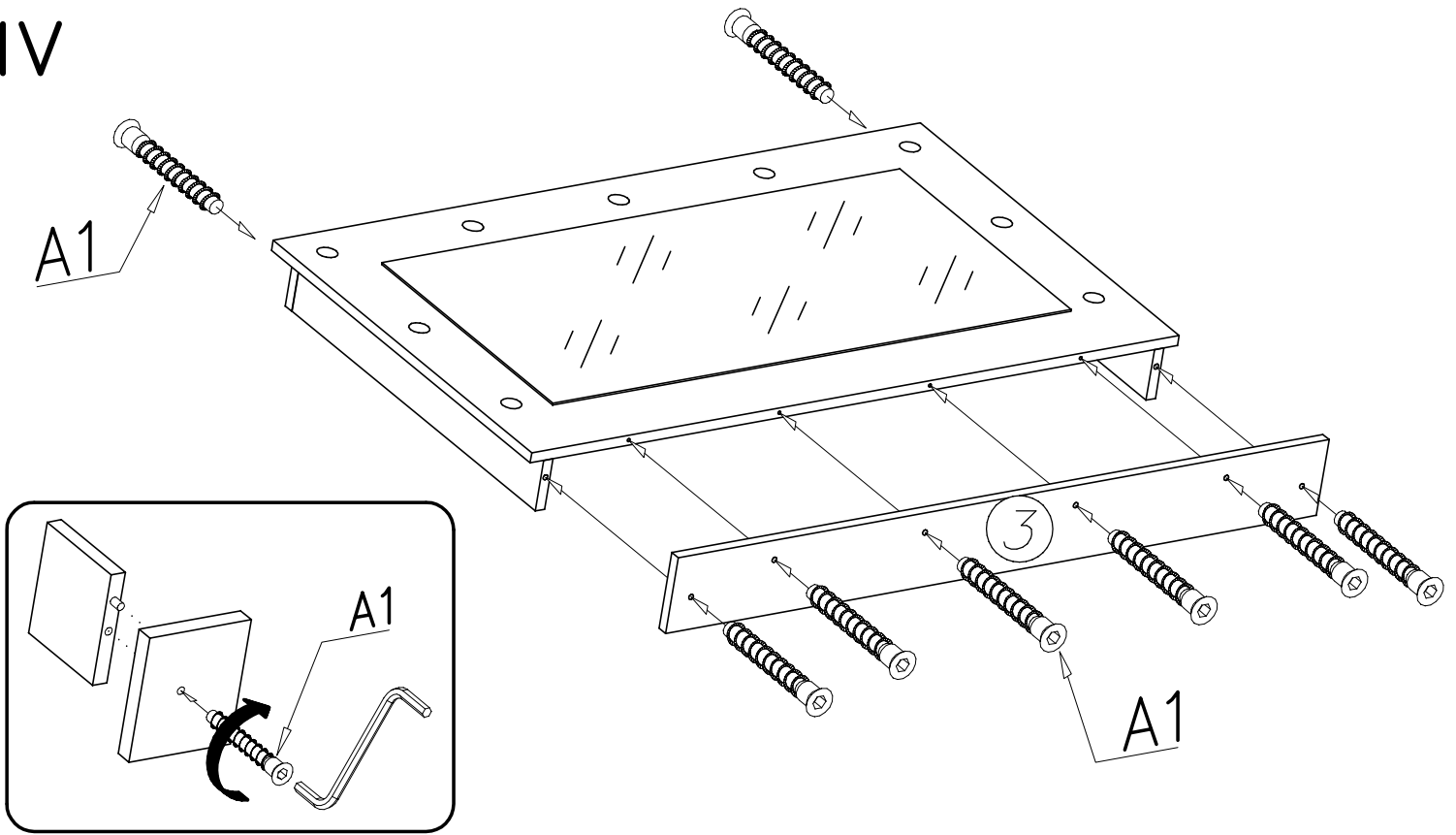


III

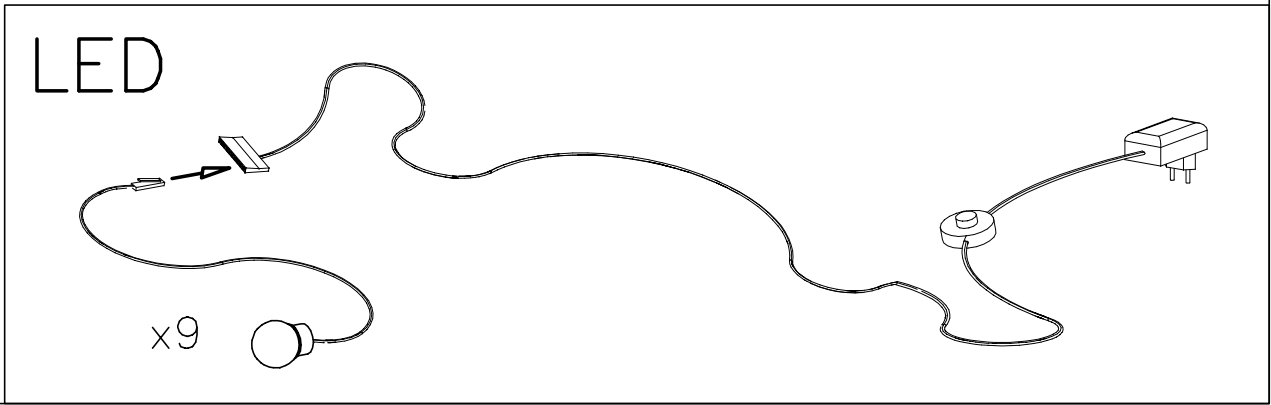
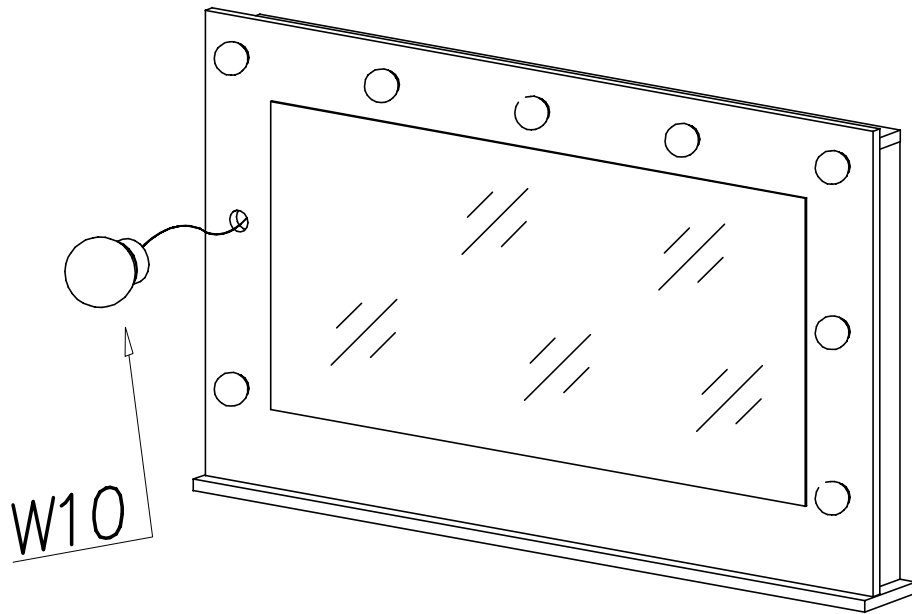


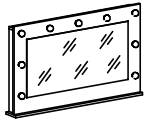


IV

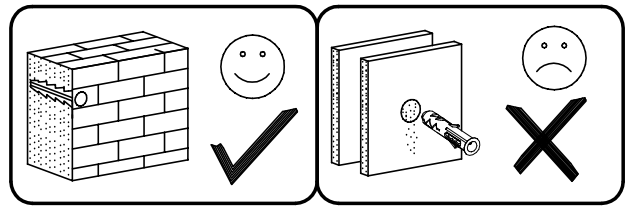
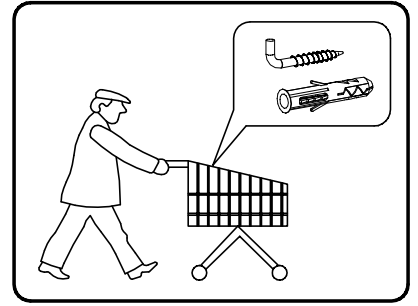
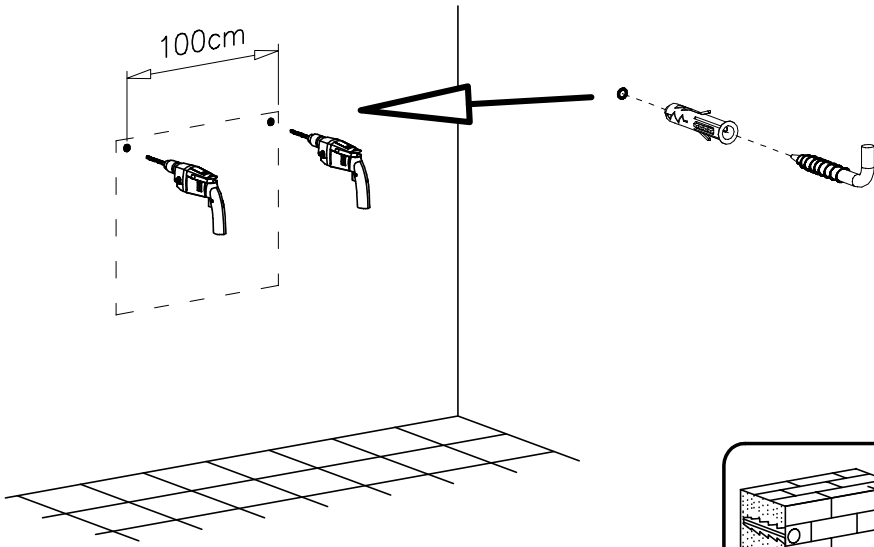


V





VI



VII

