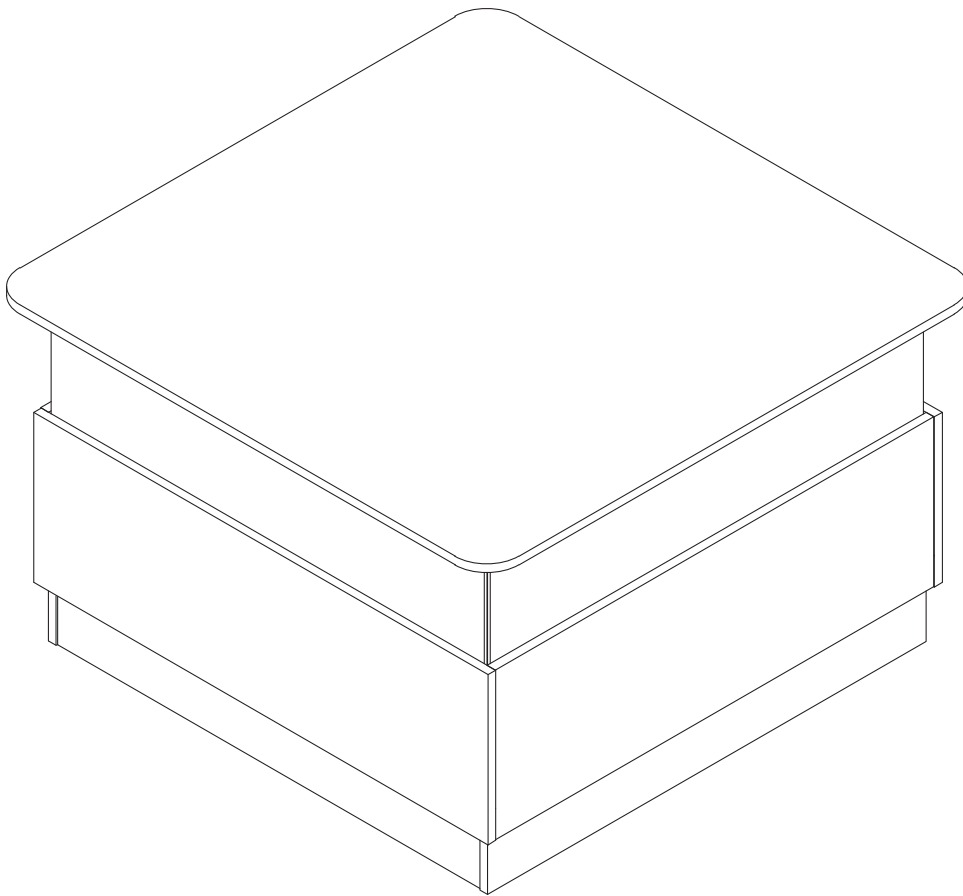


Assembly Instructions

Decorate your home, Brighten wonderful life



CUSTOMER CARE



**Congratulations
Happy shopping**
Feel free to share with your friends or family
Thank you for your 5-star feedback and positive
reviews to help others
Good advice leads to the best service



**We apologize for the bad shopping experience
Any defects, broken, missing pieces, delays or
accidents Please contact us as soon as possible
online email or official email are available.**

ITEM SPECIFICATION

SKU	Product Dimension	Package Dimension	Color
A	30.71*30.71*19.06 in	35.43*33.86*4.72 in	White
B	30.71*30.71*19.06 in	35.43*33.86*4.72 in	Black

NOTICE:

Basic precautions should always be followed when using this product. Please read all instructions before using the cabinet and retain the education for future reference.

Failure to observe all instructions and warnings may cause severe property damage or personal injuries.

When unpacking, please be careful don't cut too deep to damage the products in the box. Just use the blade to scratch the parcel tape.

Check the product and hardware accessories in the box; and confirm whether the instructions are complete.

When installing, please pay attention to the protection of the parts. The soft material must be placed under the product, and please carefully handle it to avoid surface damage.

After the assembly is completed, please adjust the placement position according to the actual situation.

Keep children away from cabinets, accessories, and installation tools. They are at risk of injury to the child.

Two people are recommended for assembly.

If you need the electronic manual, please contact our customer service to get it.

RETURN/DAMAGE CLAIM INSTRUCTIONS:

Product is shipped in a single carton box. If you haven't received the package or need to know the tracking of the package, get in touch with us immediately via message or contact us.

If the package is damaged, please get in touch with us from the very beginning. Attaching a damaged photo is appreciated.

Product accepts returns within 30 days without any reason. If you return this item for personal reasons, you must cover the return fee and order processing fee (0- 20% restocking fee based on the invoice price). We will cover the freight if the product has quality issues (not caused by humans).

Please keep the original box if you need to return the goods. Please use our return label and do not return it without permission.

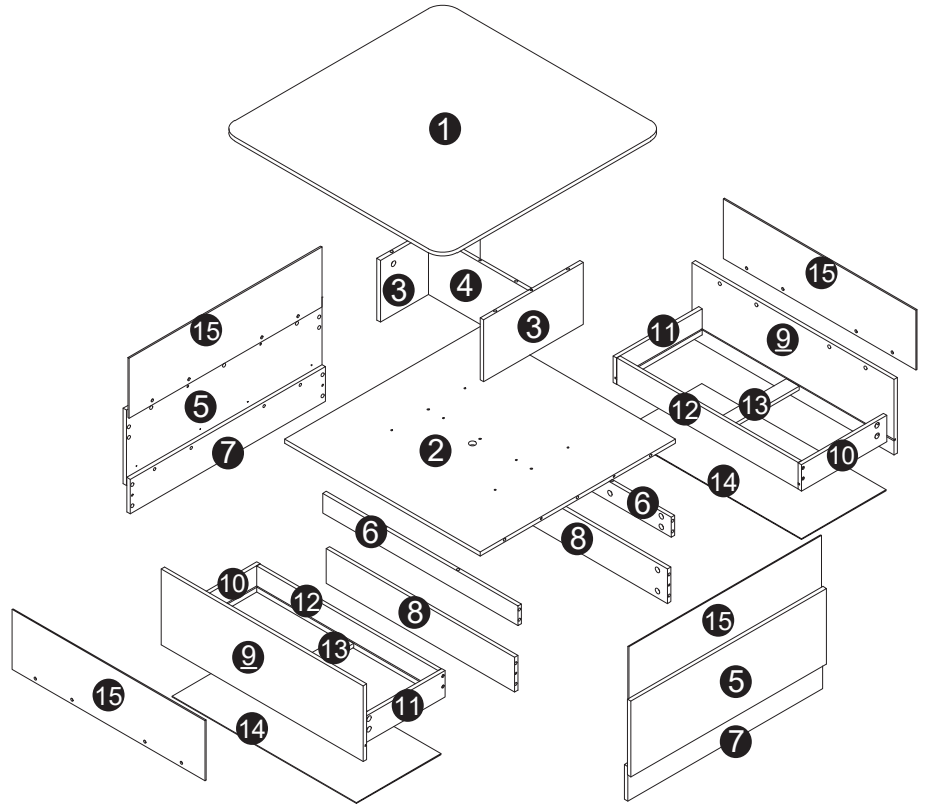
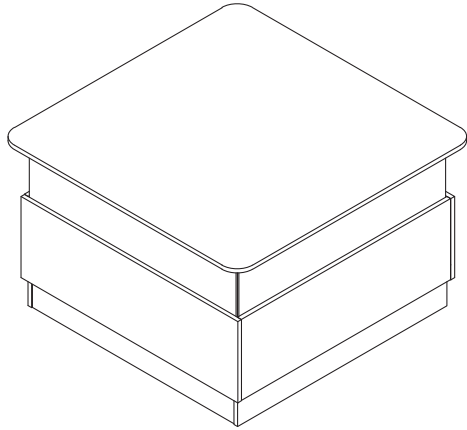
If you return the product after 30 days of receiving it, we are afraid your return application won't be accepted. We appreciate your understanding.

Any damages, defects and parts missings during installation, pls contact us from the very beginning. Replacement, exchange and refund will be arranged ASAP except of personal reasons.

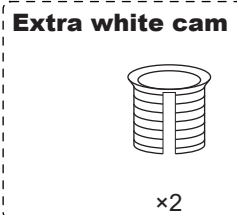
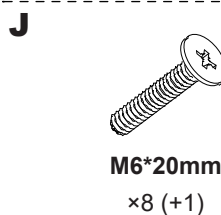
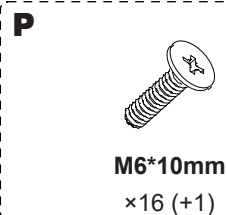
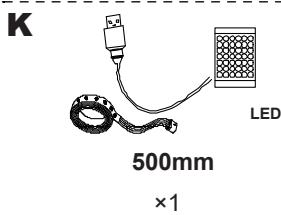
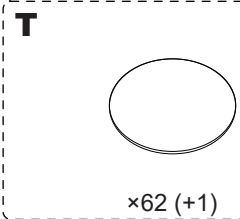
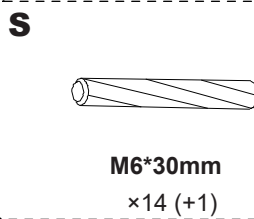
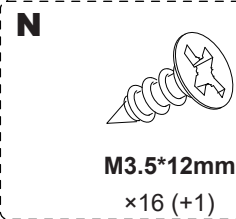
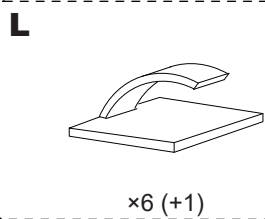
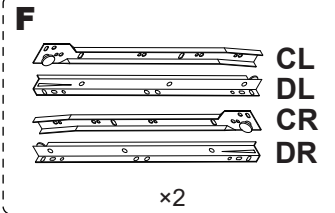
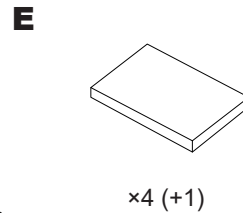
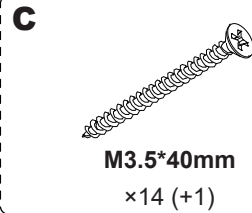
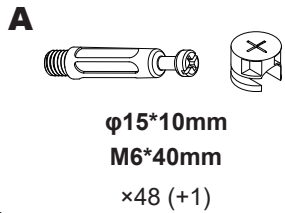
Part List



Open the package, and put the item on the mat with care. Please install it carefully to ensure your fingers will not be scratched.

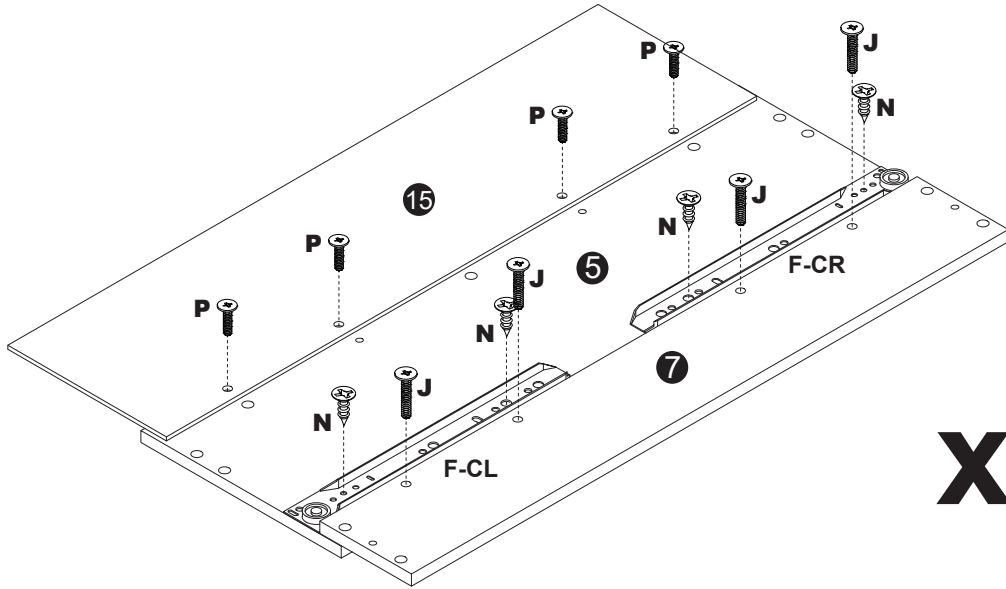
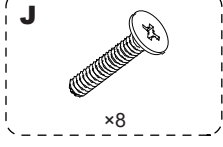
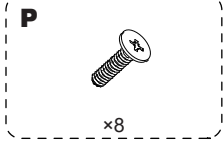
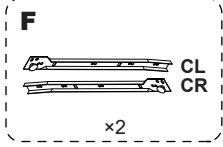
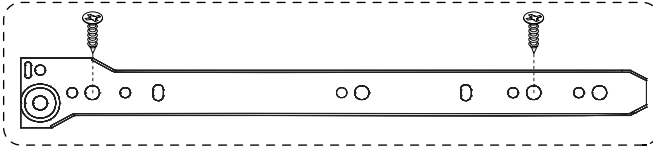
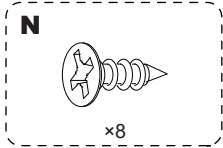


Hardware List

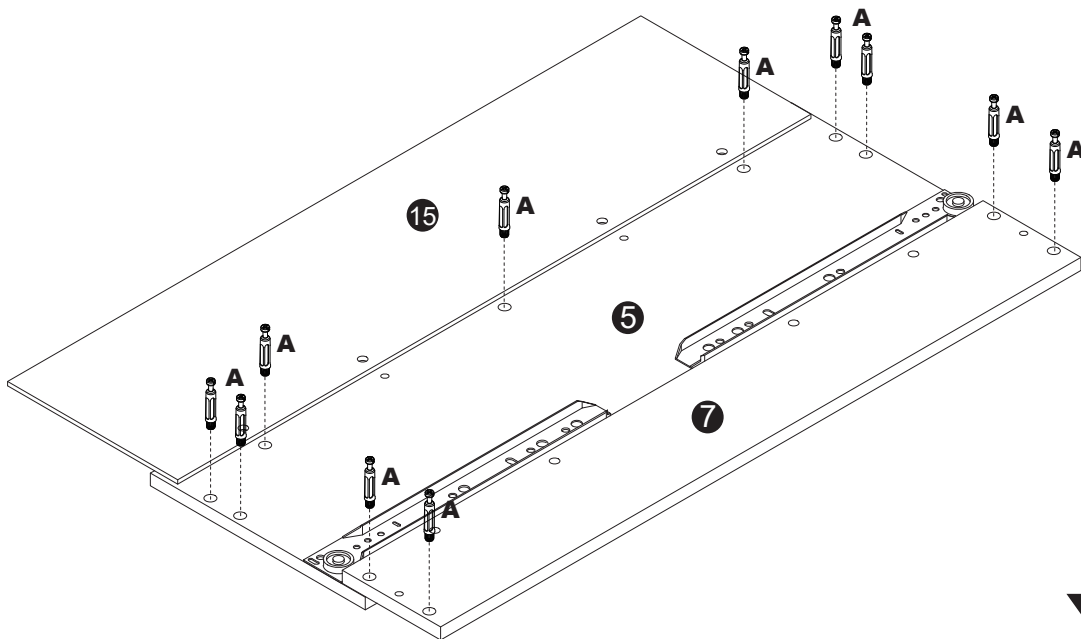
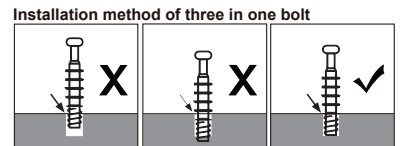
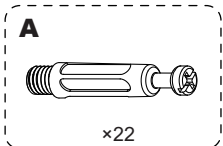


Start...

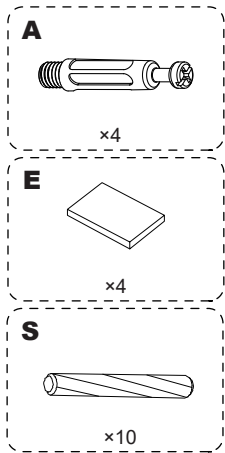
| Step1



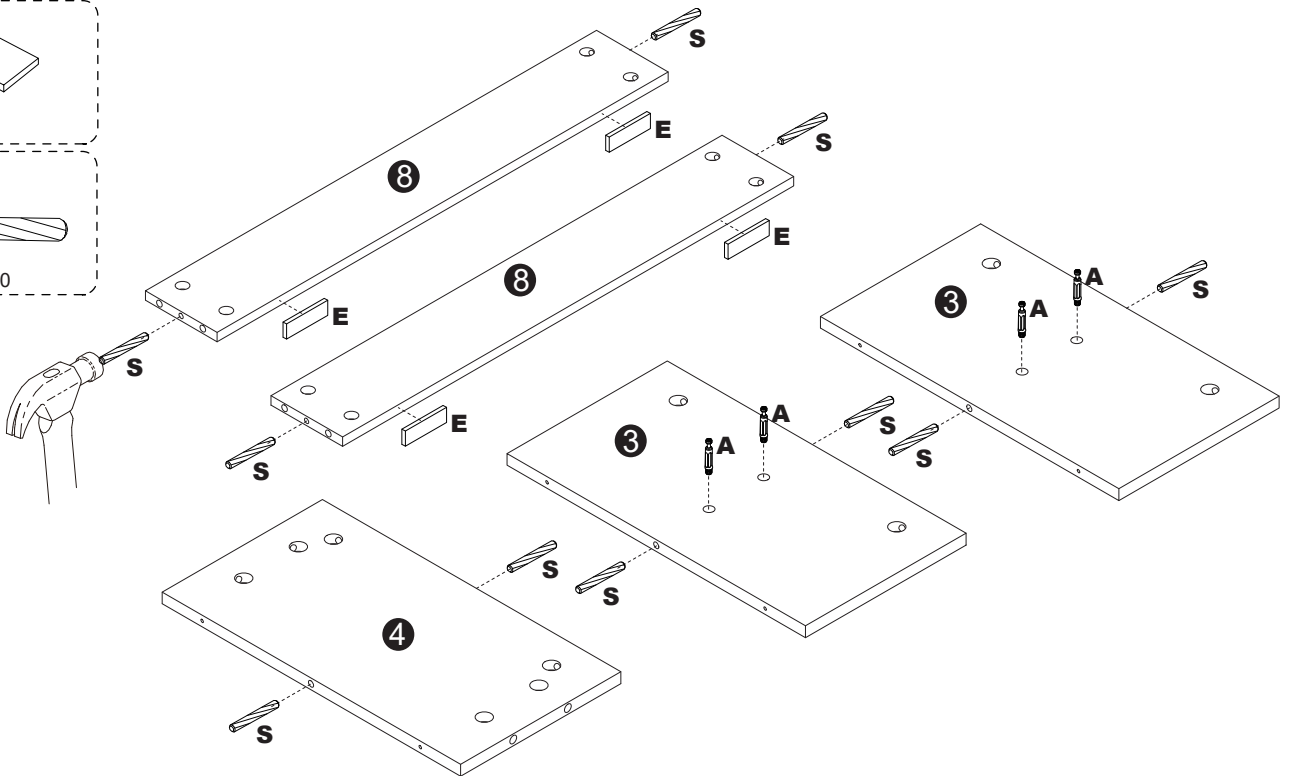
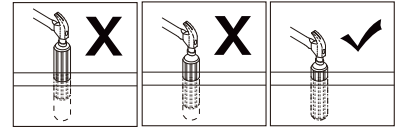
| Step2



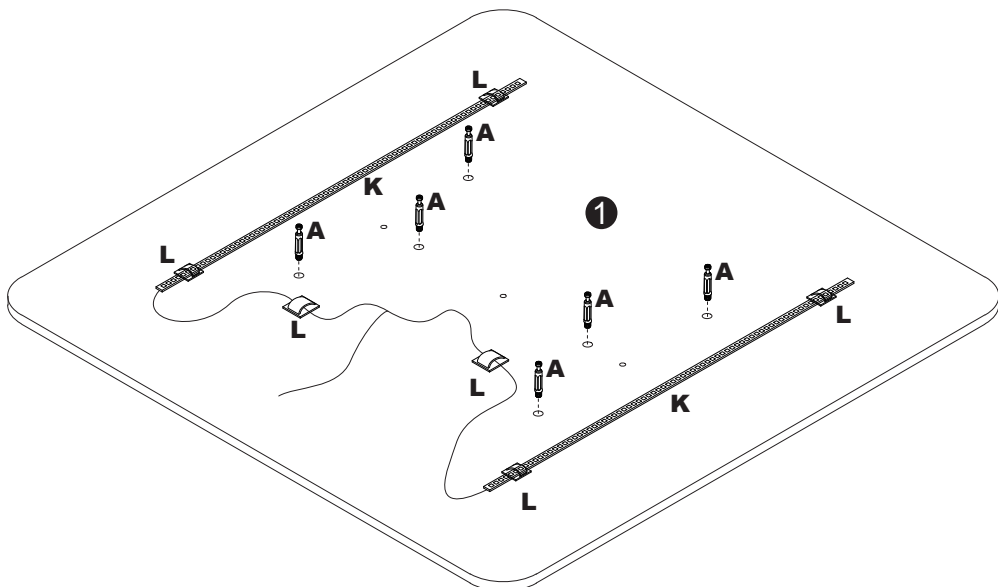
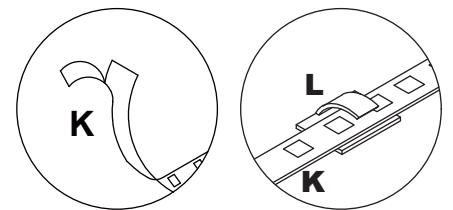
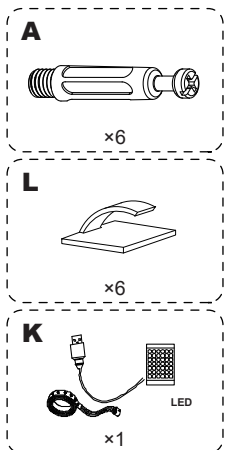
Step 3



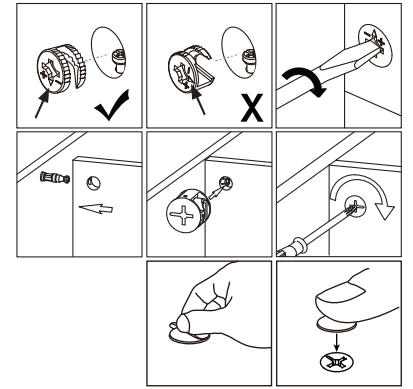
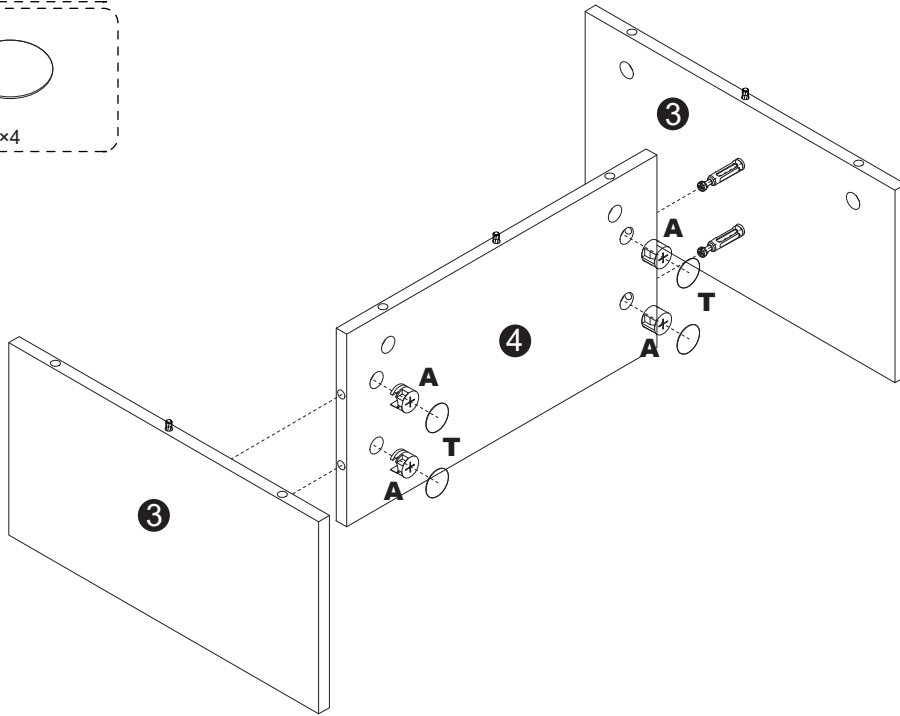
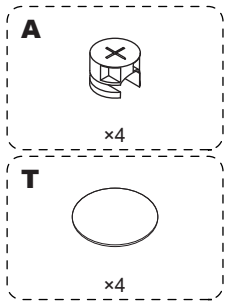
Make sure the Wooden Dowel Pins is fully immersed in the holes to avoid causing the top of the panel to penetrate during the next step of installation.



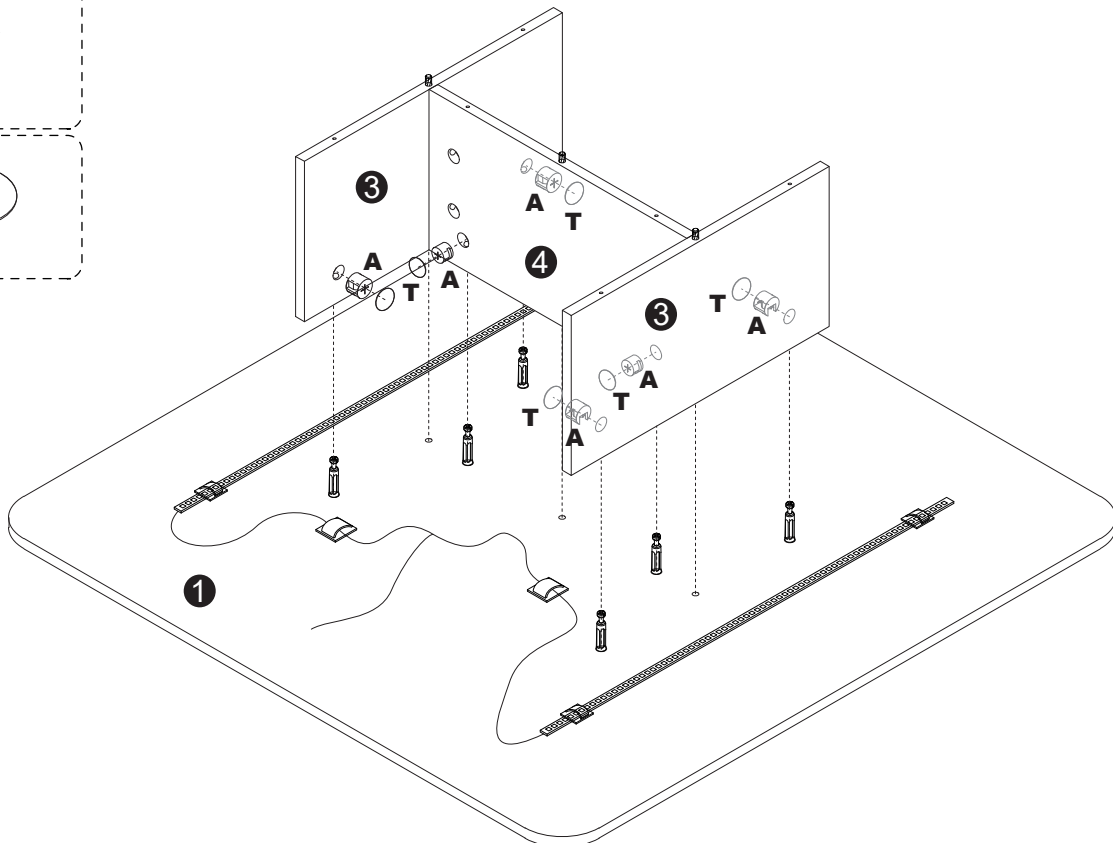
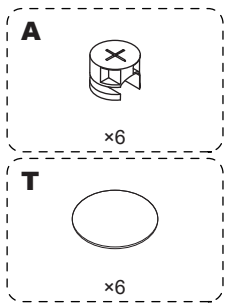
Step 4



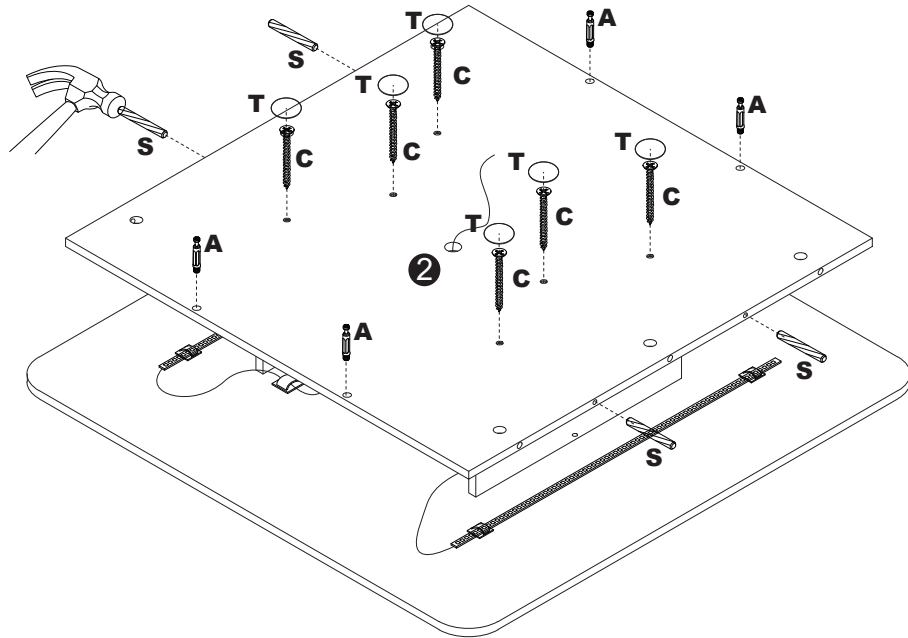
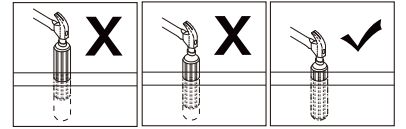
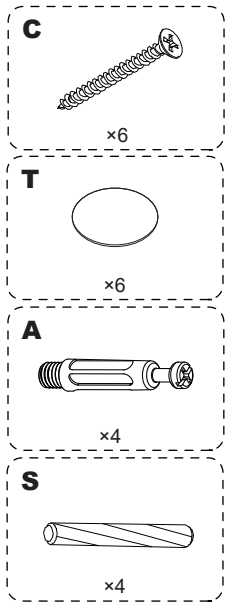
Step 5



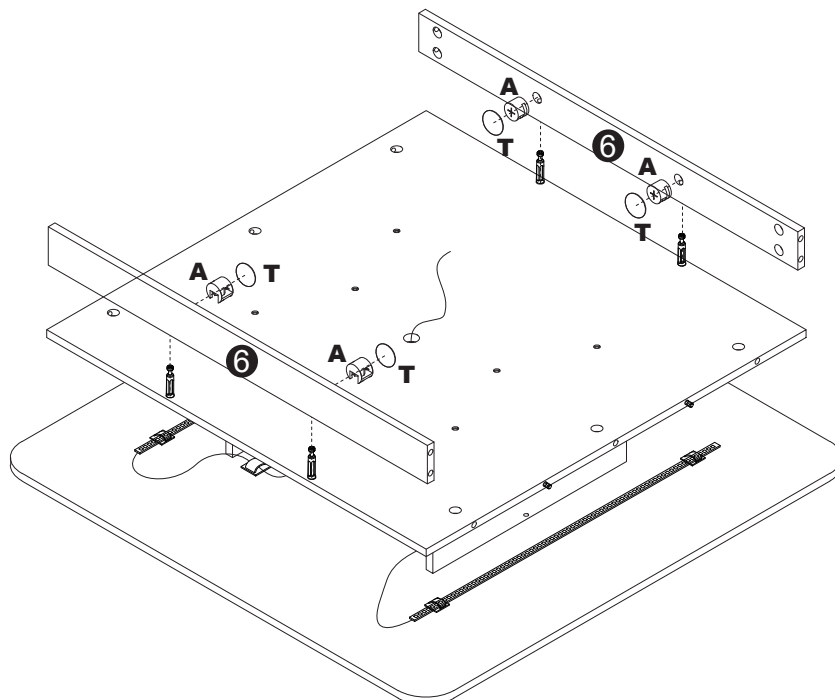
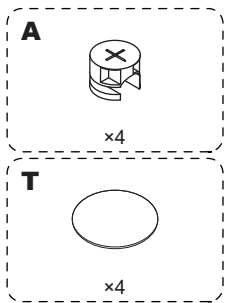
Step 6



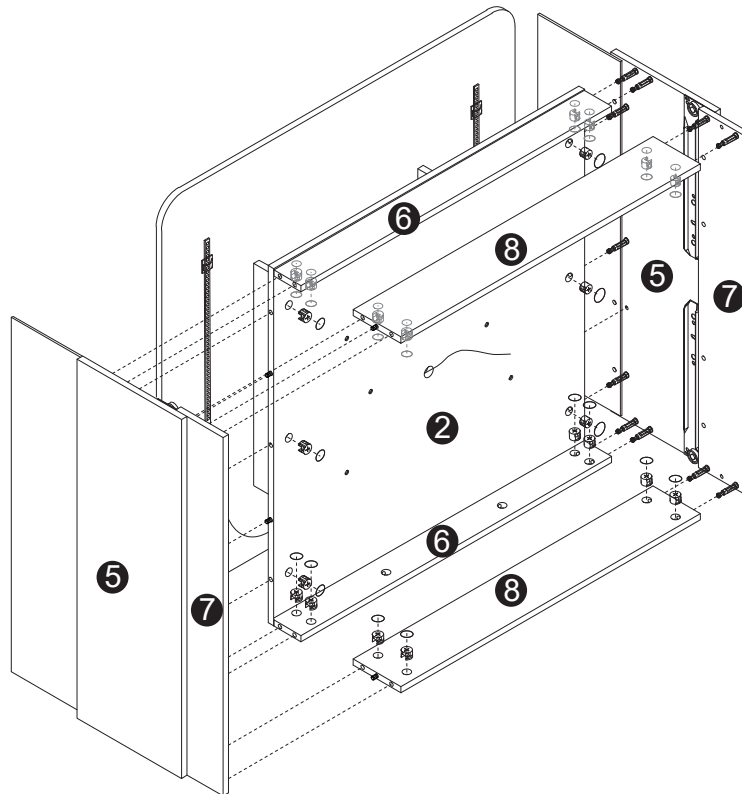
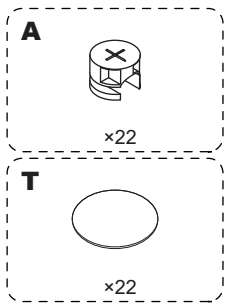
Step 7



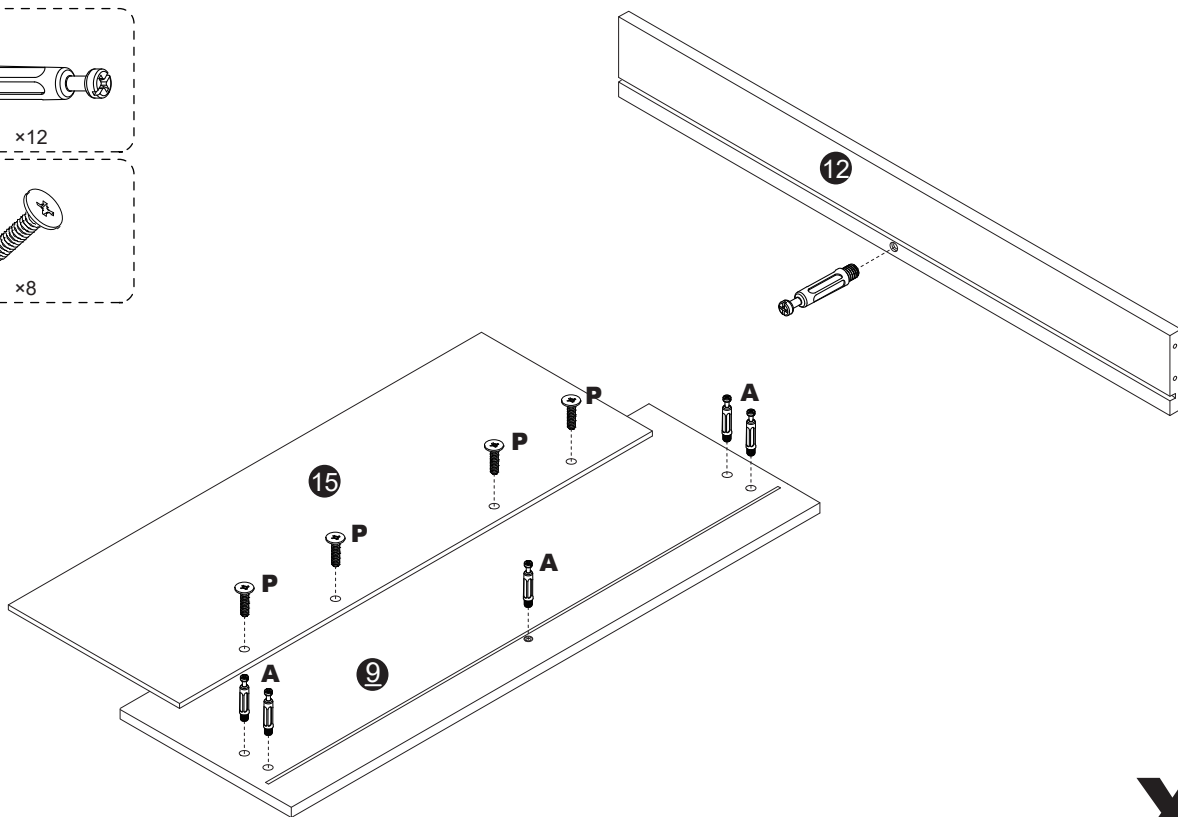
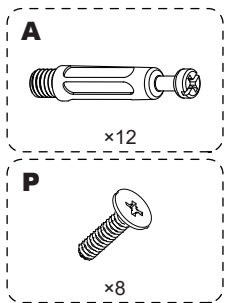
Step 8



Step 9

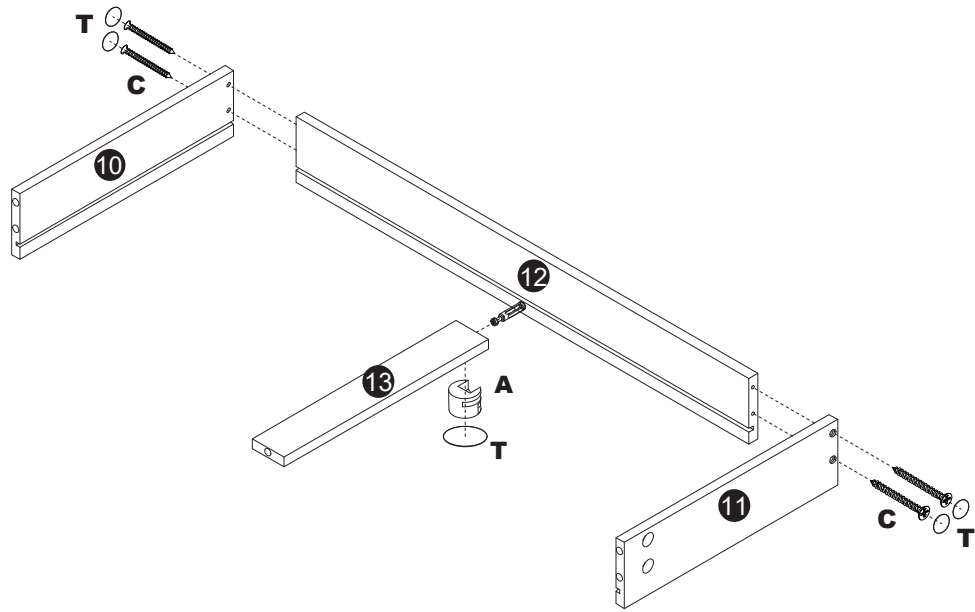
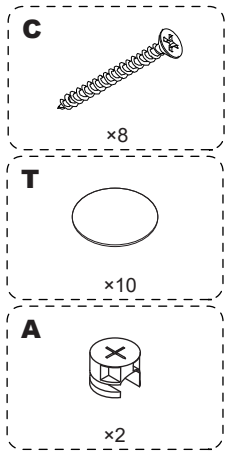


Step 10



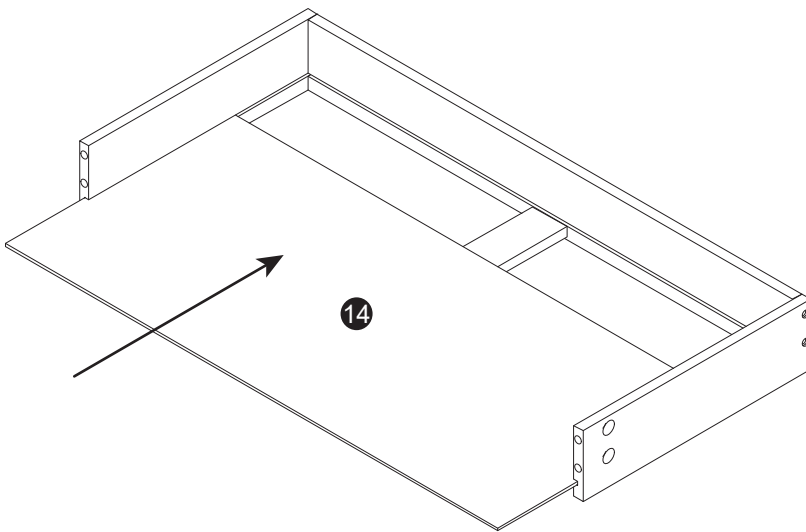
x2

| Step11



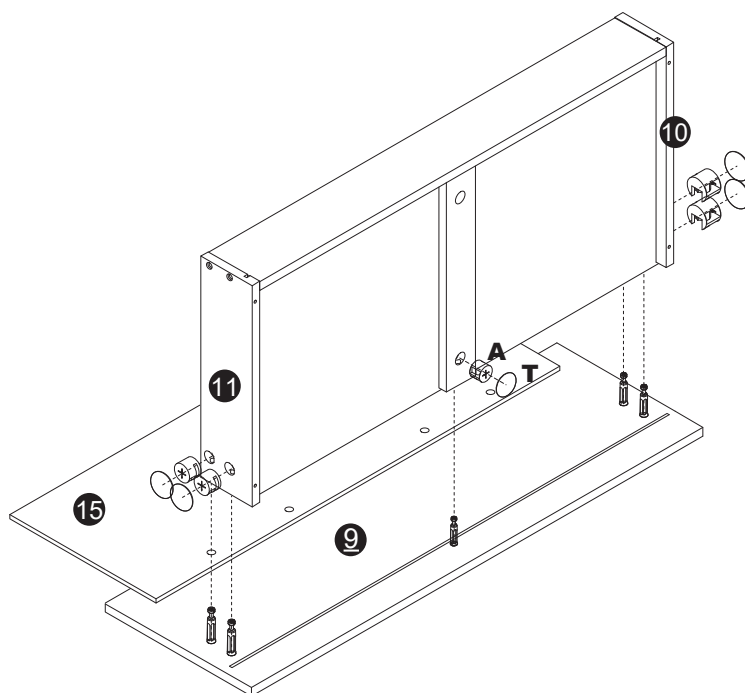
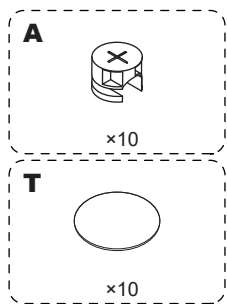
x2

| Step12



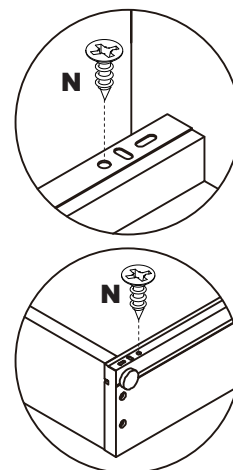
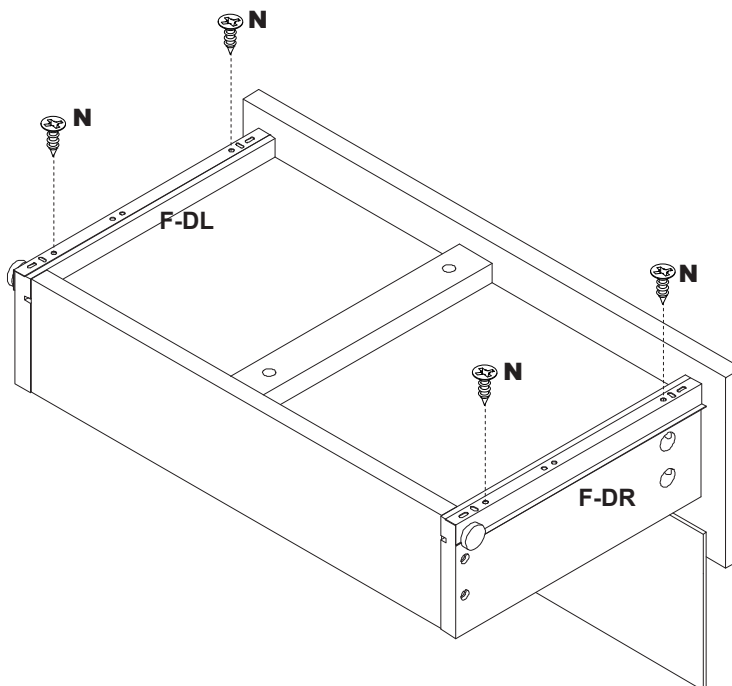
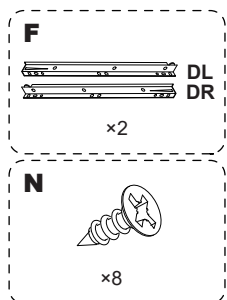
x2

Step 13



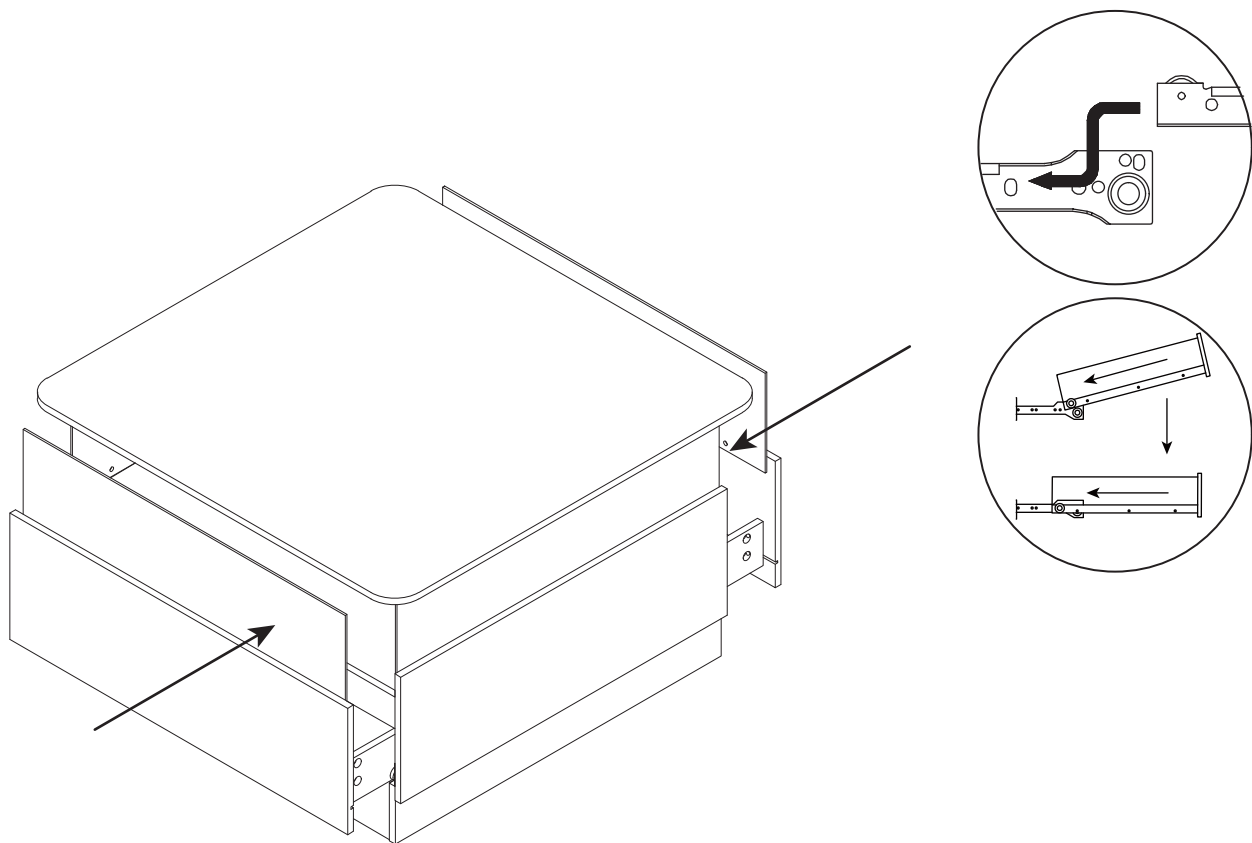
x2

Step 14



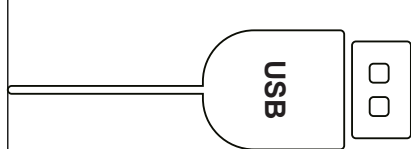
x2

| Step15



LED LIGHTS OPERATION MANUAL

1 Power on



Portable Charger

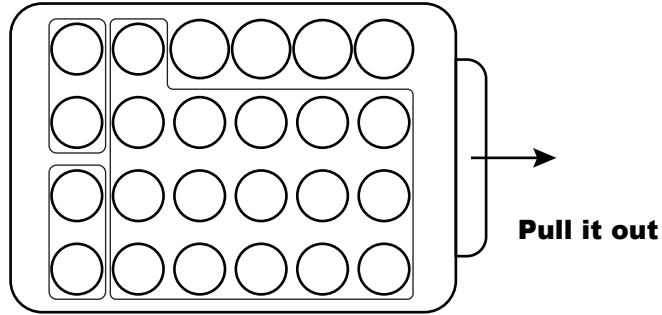


Power Strip



PC Computer

2 Remove the plastic insulation from the bottom of the remote control

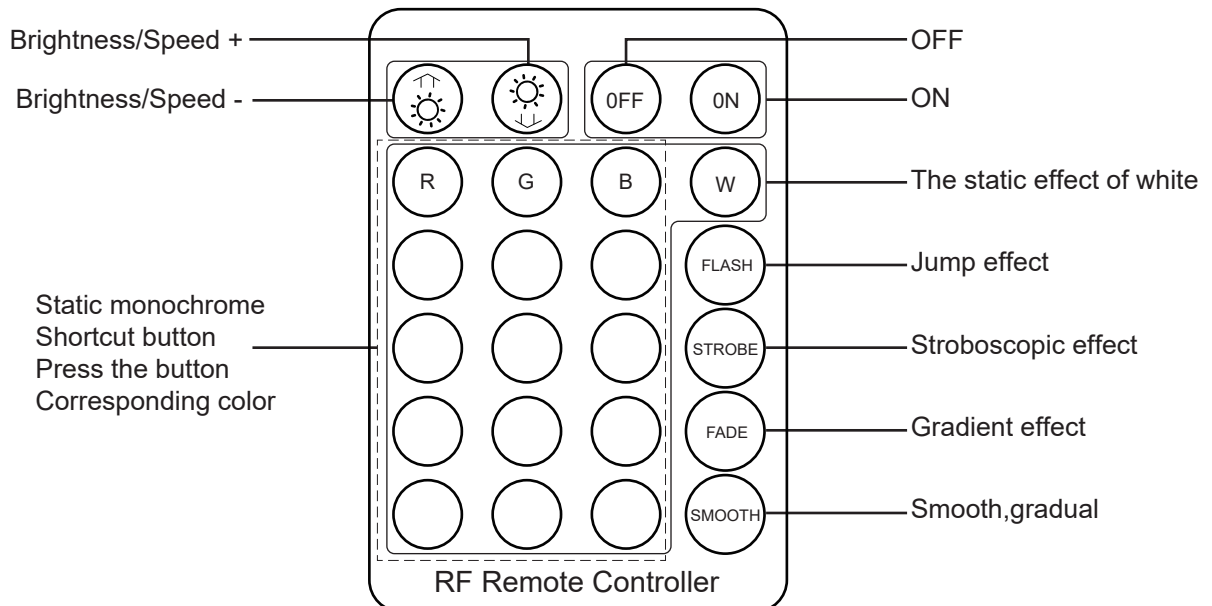


3 Light color and mode

Static red	Static orange	Static dark yellow	Static yellow
Static straw yellow	Static green	Static pea green	Static cyan
Static light blue	Static sky blue	Static blue	Static dark blue
Static brown	Static pink	Static purple	Static white

7 color jumpy change All fade out&fade in 7 color fade change 3 base color jumpy

4 Remote Control



About Us

We break the traditional monotonous furniture style and give it new meaning through LED lights, which are both functional and beautiful. Our professional team provides you with innovative and customized design and attentive service, aiming to meet our customer's specific needs around the world, bringing you high quality furniture and colorful and meaningful life. Since now, we have expanded into the production of a wide variety of LED lighted furniture from living room, bedroom to bathroom.

LIMITED WARRANTY

Furniture team would like to improve customer service quality and make your experience smooth.

Return Policy: we accept returns within 30 days without any significant reason. After we receive the returned item, we will check it and make sure that it is not damaged, then we will process the refund. For more details, please check the above terms of RETURN/DAMAGE CLAIM INSTRUCTIONS.

Any damages, defects and parts missings during installation, pls contact us from the very beginning. Replacement, exchange and refund will be arranged ASAP except of personal reasons.

The exceptions or exclusions to this warranty are as follows:

1. We do not accept claims outside of a limited period.
2. This warranty does not include the products purchased by mistake.
3. Any damages, broken, missing parts, we will repair or replace them without charging you any cost within a reasonable period. We reserve the right to require damaged parts to be returned to us upon our request.

If you have any questions concerning this warranty, please get in touch with the Customer Service department via message. Be prepared to provide your name, address, daytime phone number, the product's model and purchase order number, the date of purchase, and the store name. All the information you provided will help us track your order quickly and solve your problem in the shortest time. This warranty gives you specific rights, and you still possess other rights that vary in each case.



Decorate your home, Brighten wonderful life

US:changyingguoji3@hotmail.com
UK:prochainuk@outlook.com
DE:prochainuk@outlook.com