












# Assembly Instructions

Caution : You must read this before you proceed

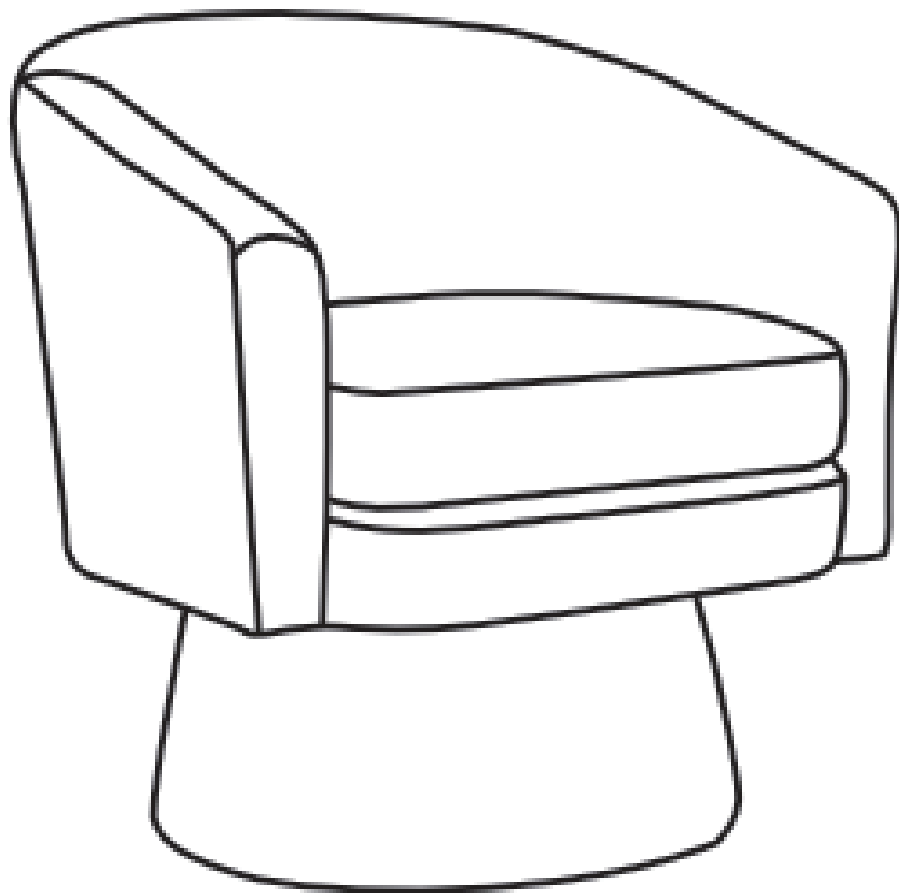
## Care & Maintenance

- ⊘  • Not for commercial use. For residential use only.
- ✓  • Furniture may scratch floors. We recommend using furniture pads to protect your floors.
- ⊘  • Do not put hot items directly on furniture surface.
- ⊘  • Do not clean furniture with harsh cleansers or polish.
- ⊘  • Do not place furniture under direct sunlight.
- ⊘  • Do not place furniture near heating or cooling vents.
- ⊘  • Do not write on furniture without a padded barrier to protect the surface.
- ⊘  • Do not place furniture outside . For indoor use only.
- ⊘  • Stains may be removed with mild soap solution and damp cloth.
- ⊘  • Children should not climb or jump on the furniture.

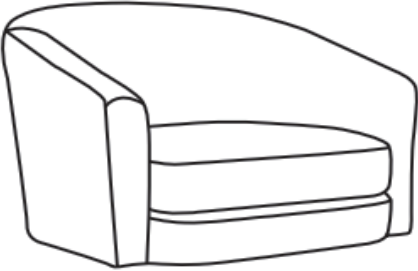
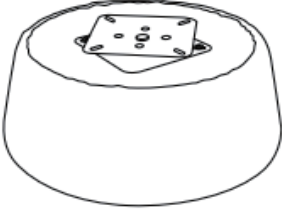
- ✓  • Dust and pick-up spills using a clean, non-colored, lint-free cloth.

Please look in the top of base for hardware packs .  
Sets often ship in multiple boxes and may arrive a day or two apart





# SWIVEL CHAIR



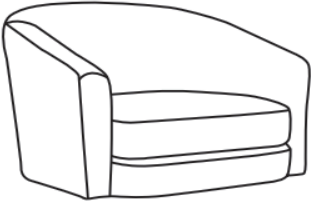
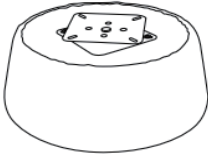




# Parts List

Label	Picture	Description	QTY
A		Chair Seat&Back	1
B		Base	1

# Hardware

Label	Picture	Description	QTY
①		Bolt (M8X45MM)	5
②		Spring Washer Ring	5
③		Flat Washer Ring	5
④		Allen Wrench	1

# Assembly Preparation

Before Beginning Assembly:				
	AX1	BX1	①X5	②X5
				
			③X5	④X1



- Read instructions, cover to cover-



- Have 2 adults on hand for assembly-



- Do not assemble on flooring or carpet-



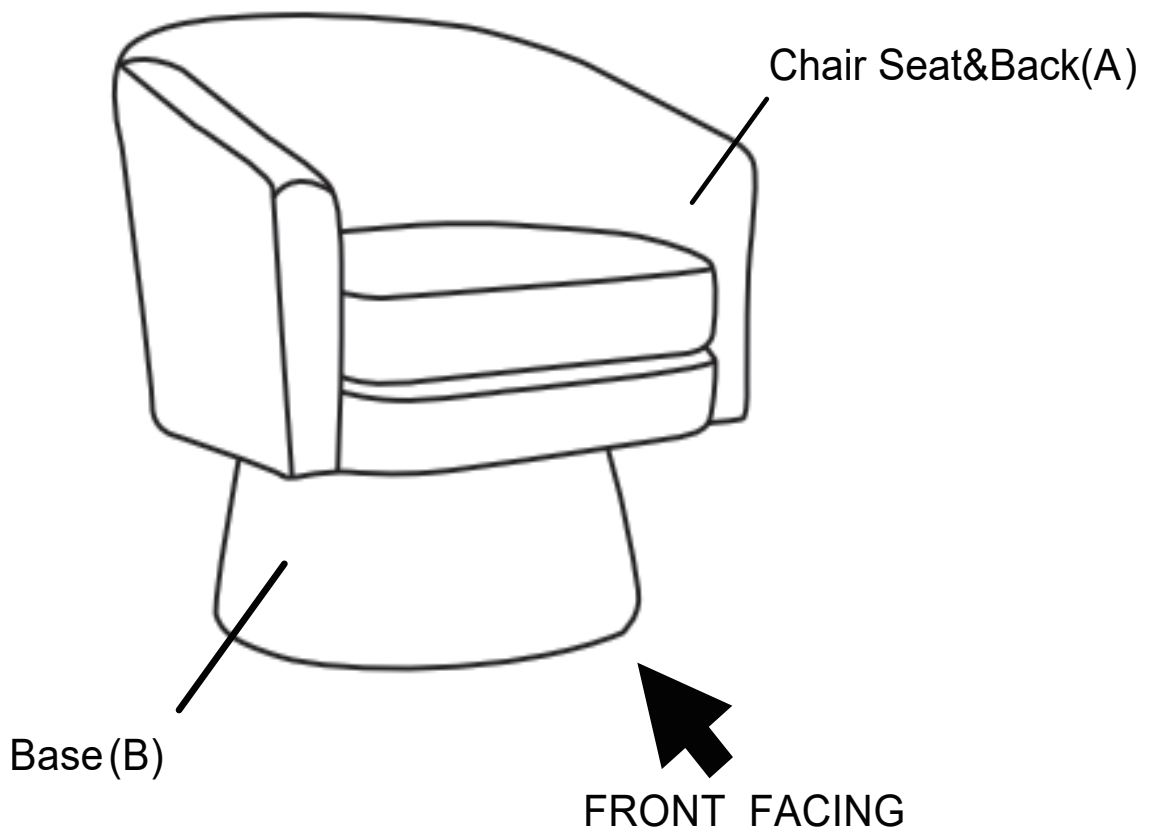
- Assemble on a clean non-marring surface (packing foam)-



- Save all packaging until finished-

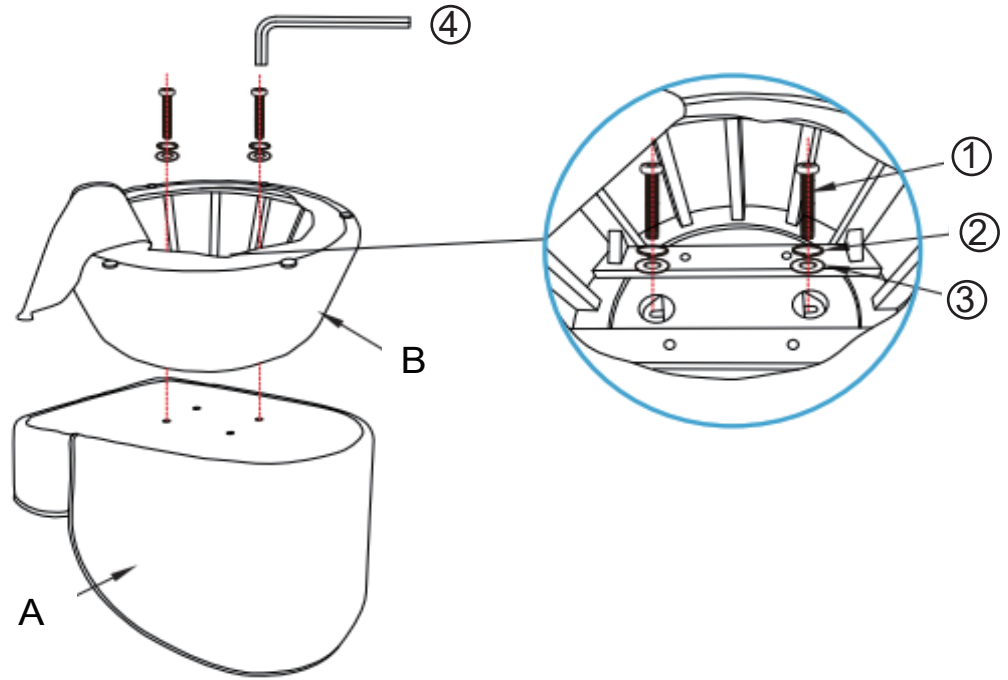
## Assembly Steps

### Overview



This SWIVEL CHAIR has multiple parts and may require up to some 10 minutes to assemble. To give you an overview of the Chair parts, the above picture is to help you put the various parts into perspective. Please read through the instructions herebelow to familiarise the parts and steps before assembly.

## Step 1

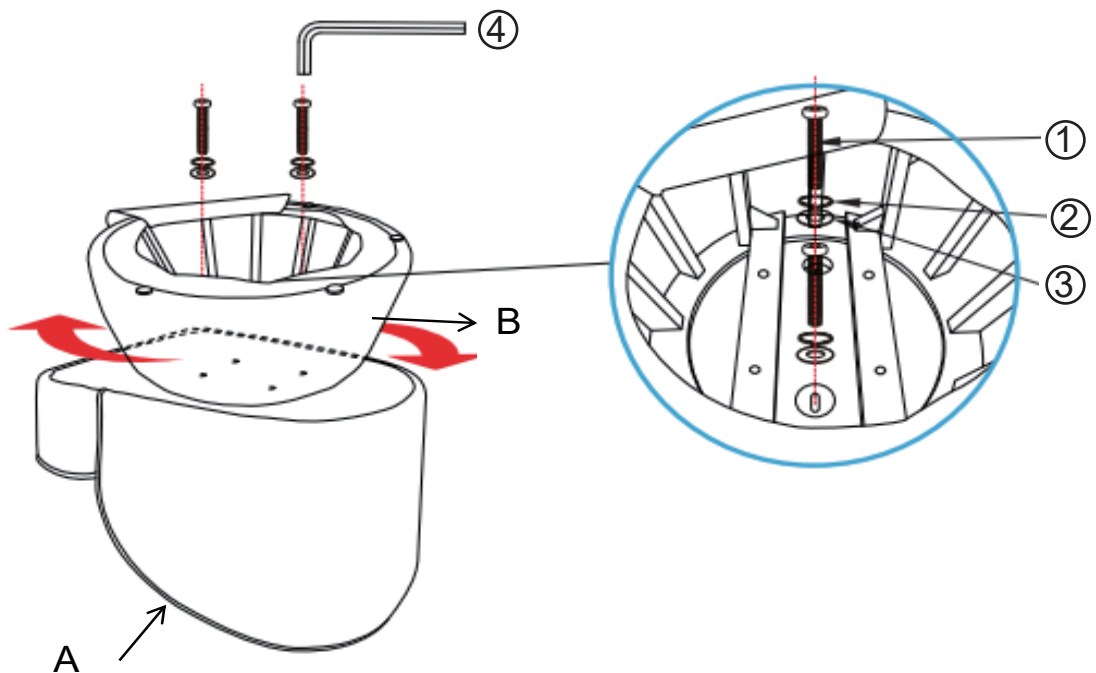


Rotate the base to align with the holes as the picture.

Secure with 2 Bolts (①), 2 Spring Washer Rings (②), 2 Flat Washer Rings (③) and Allen Wrench (④).

**WARNING!! DO NOT OVER TIGHTEN IN THIS STEP. OVER TIGHTENING MAY CAUSE DAMAGE TO THE PRODUCT OR CAN'T ASSEMBLE WELL FIANLLY.**

## Step 2

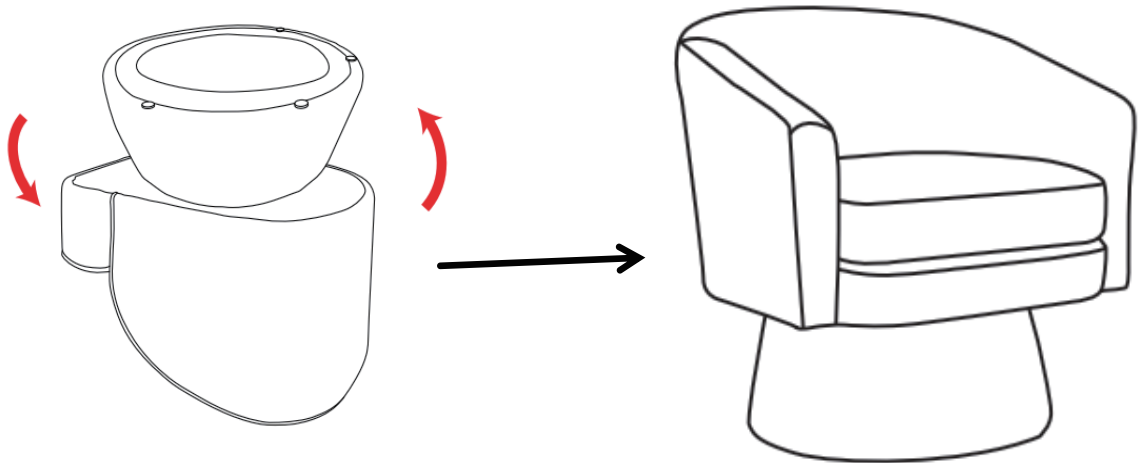


Rotate to align the remaining screw holes for installation.

Secure with 2 Bolts (①), 2 Spring Washer Rings (②), 2 Flat Washer Rings (③) and Allen Wrench (④).

**AFTER ALL BOLTS ARE IN PLACE, TIGHTEN THEM SEQUENTIALLY.**

### Step 3



Turn the Swivel Chair over.

Your Swivel Chair is ready for use.

This Swivel Chair can only be used on a flat, level surface.