

Assembly instructions

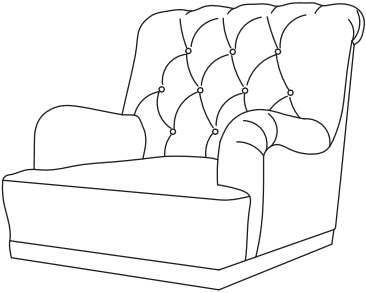
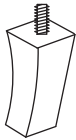
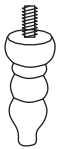

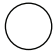
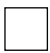
ACCENT CHAIR

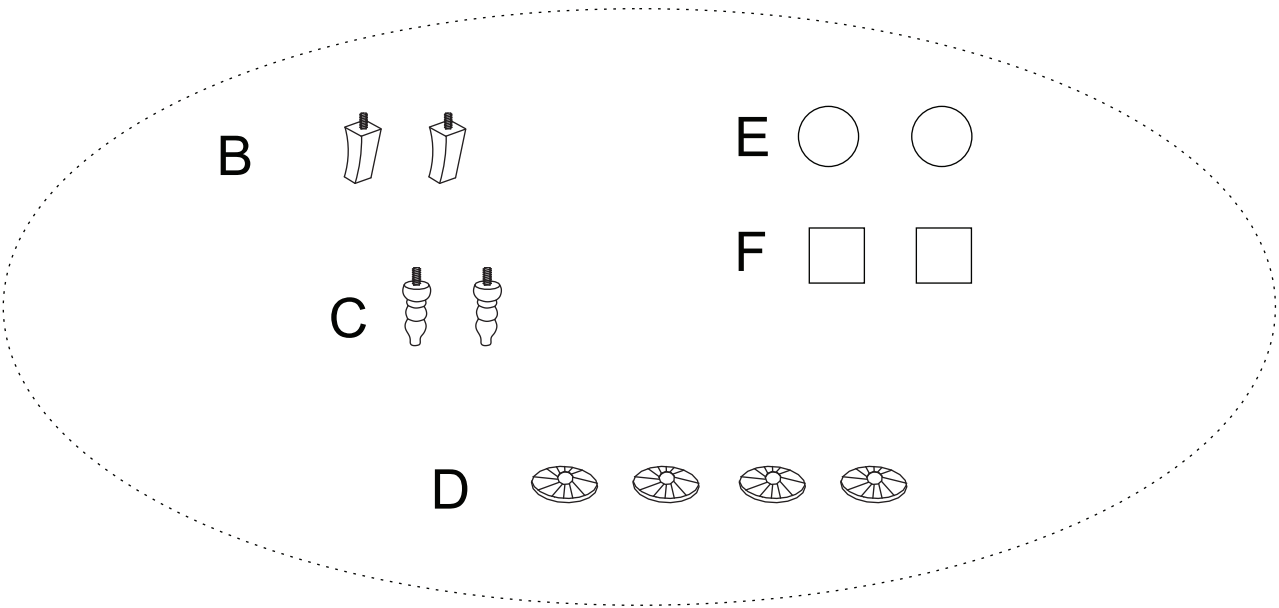
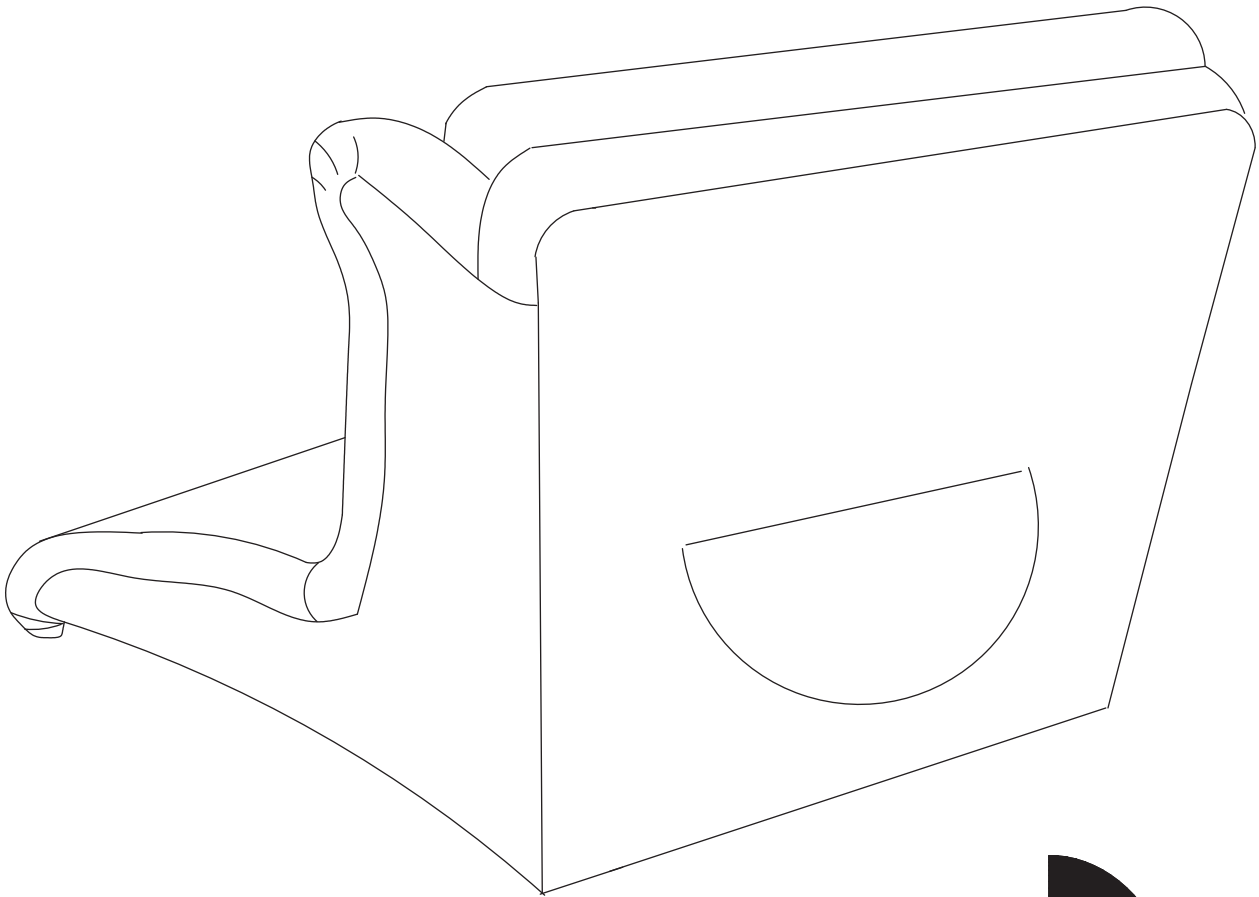


Legs are stored under the bottom, please take out for assembly.

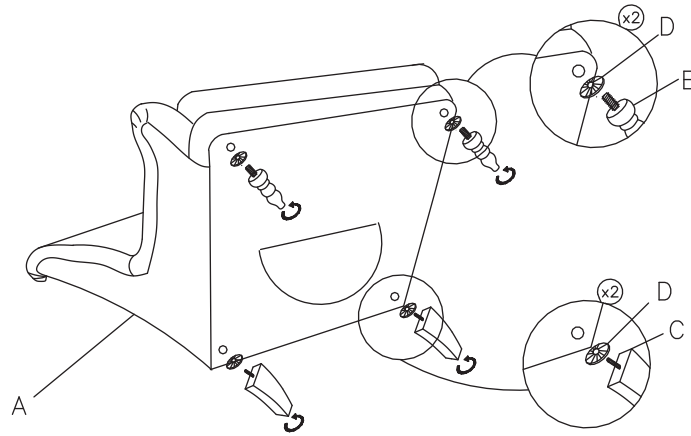
Note: Do not use power tools for assembly. Power tools increase the risk of over tightening which lead to splitting or cracking the wood.

Component list

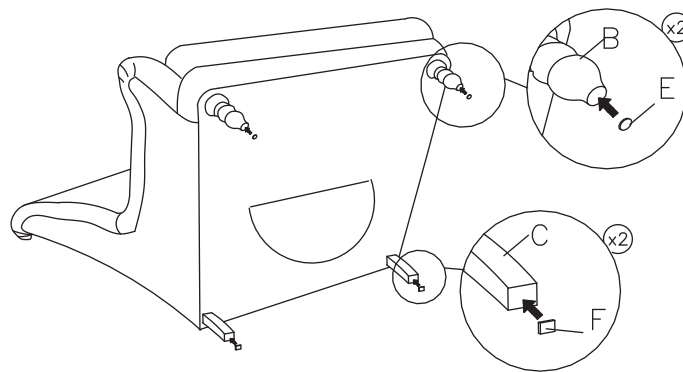
| No | Drawing | Qty | Description |
|----|---|-----|---------------------------|
| A |  | 1 | SEAT + BACK REST |
| B |  | 2 | REAR WOODEN LEGS |
| C |  | 2 | FRONT WOODEN LEGS |
| D |  | 4 | PLASTIC WASHER (Ø1.89") |
| E |  | 2 | Felt pad (Ø 25mm) |
| F |  | 2 | Felt pad (35x35mm) |



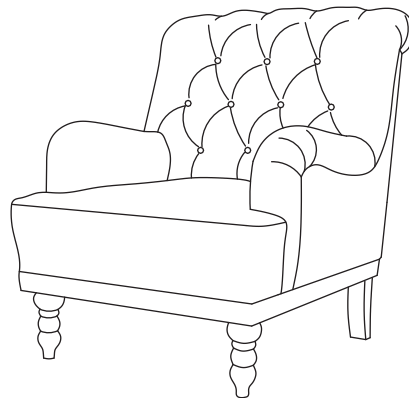
Step1:



Step2:



Step3:



Care Instruction for PU Match PVC Furniture:

In order to maintain the original appearance of your PU Match PVC Furniture, please follow below simple care procedures:

- Avoid exposing furniture directly to sunlight or heating and air conditioning outlets. Sunlight and or exposure to heating and air conditioning outlets will fade/damage PU Match PVC.
- Vacuum or wipe with a soft cloth to remove dust.
- Hardware may loosen over time. Periodically check to make sure all connections are tight. Re-tighten if necessary.



For items use on wooden floor, hard surfaces or carpets, it is recommended to install protective pads under all legs and supports to avoid/prevent from damages/scratches and discoloration.