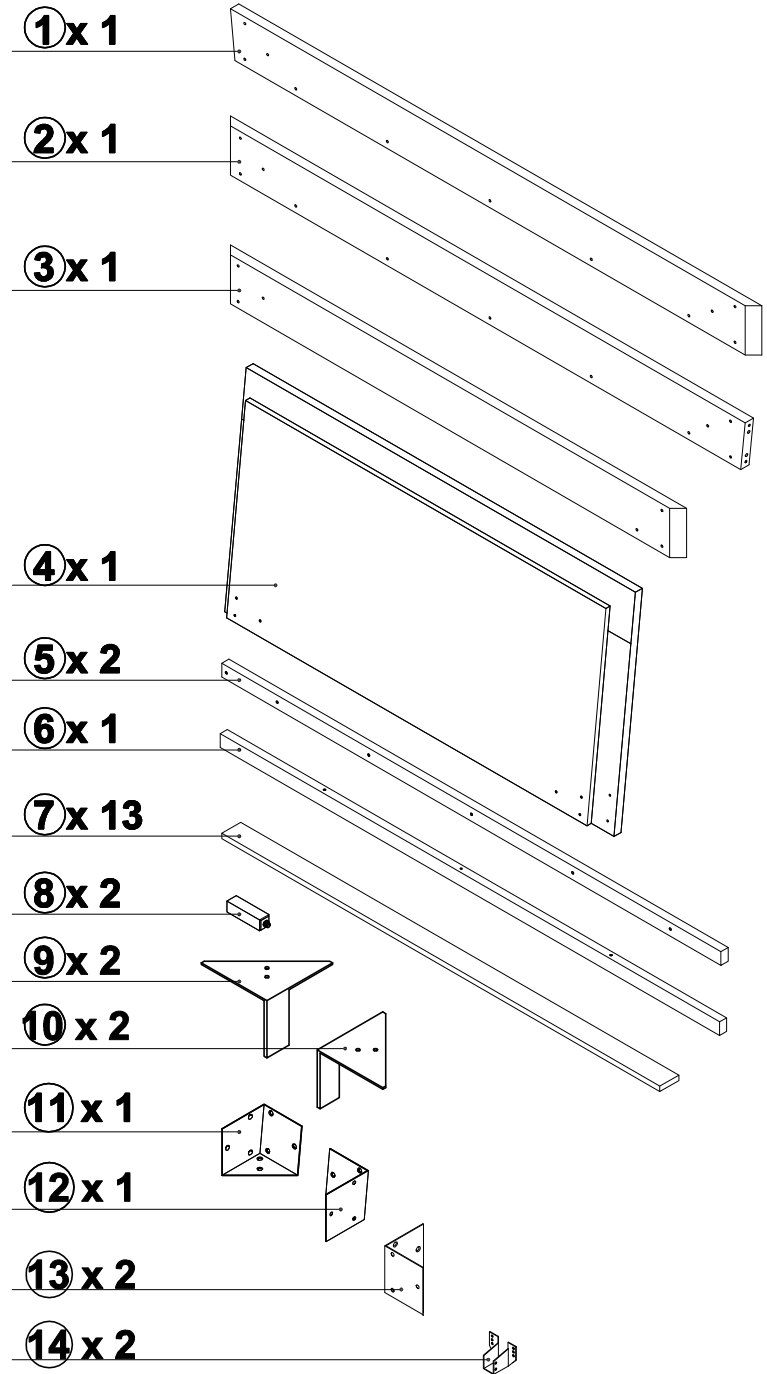
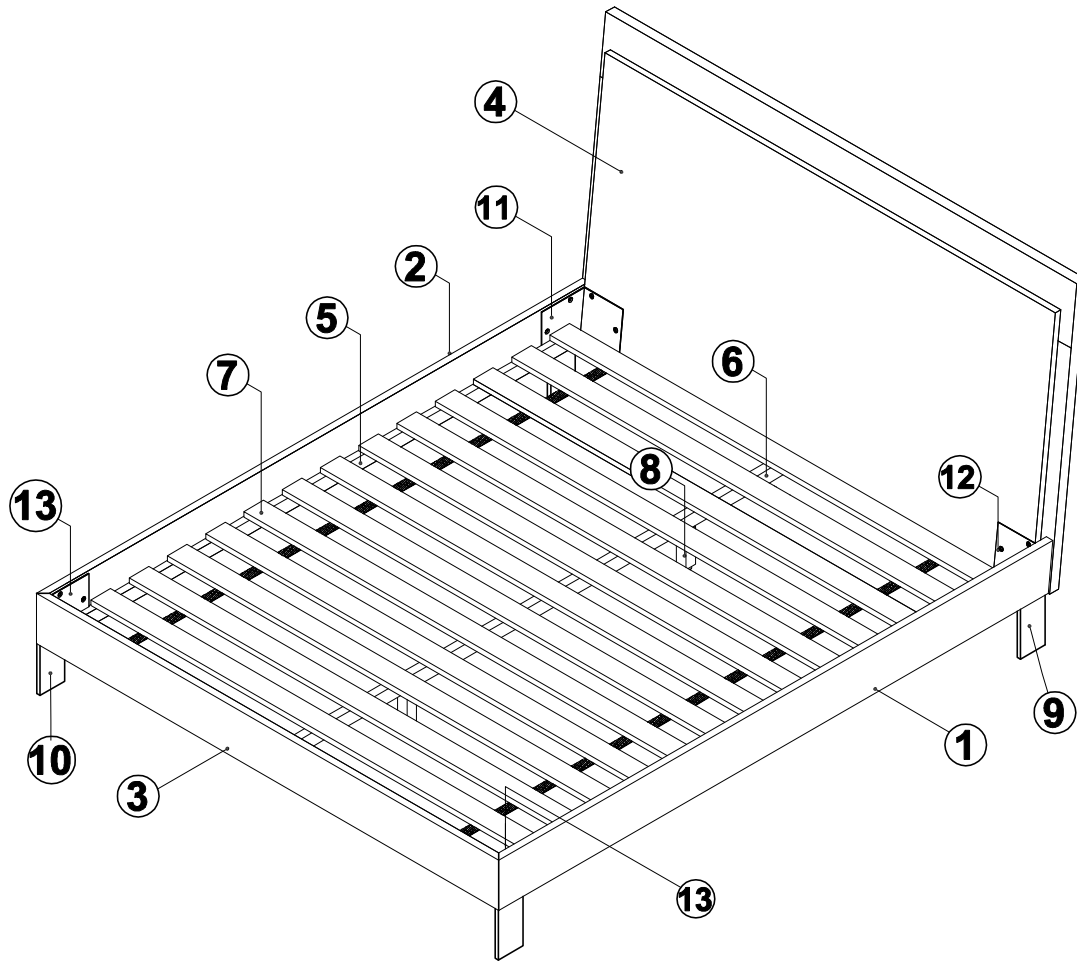


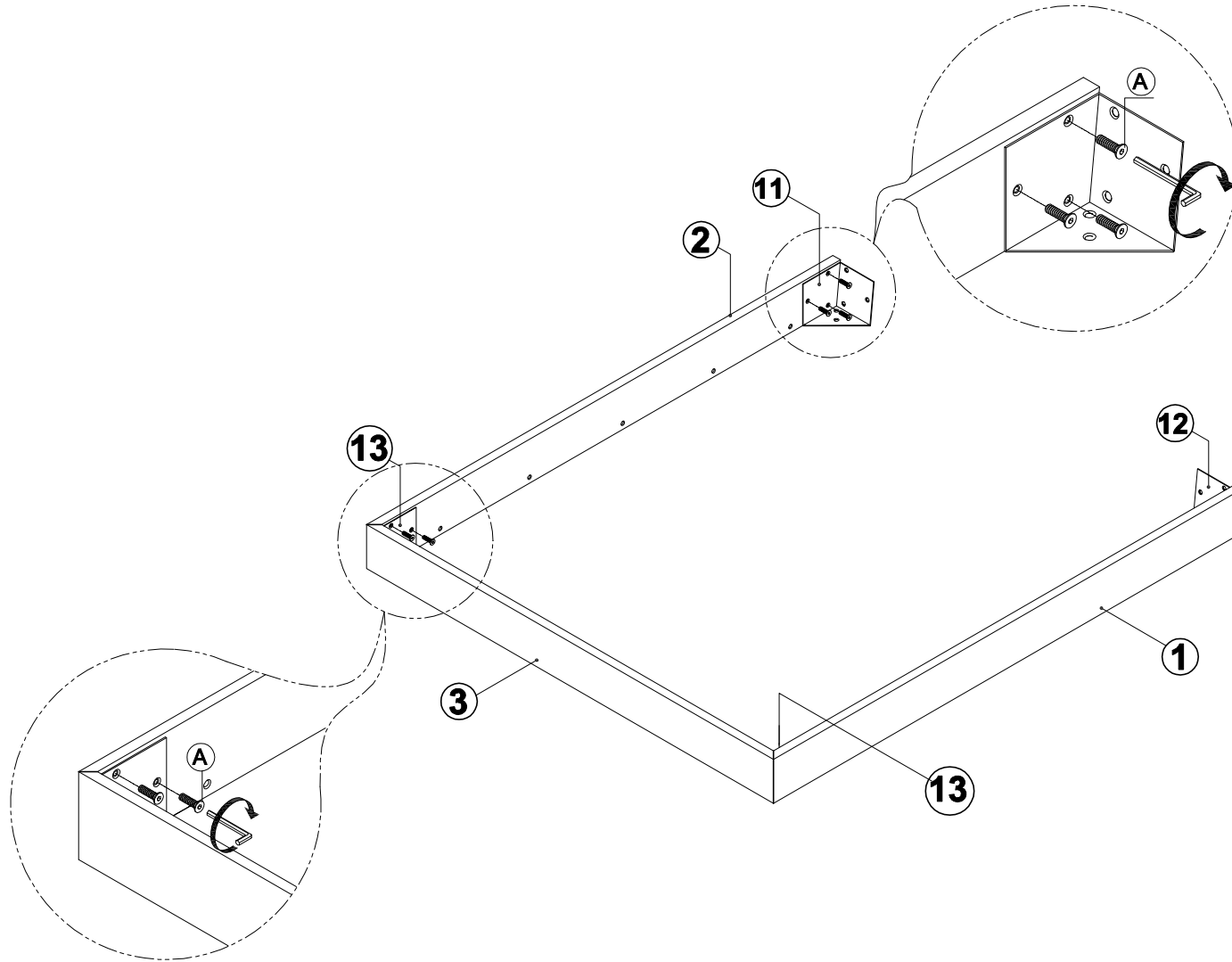
# ASSEMBLY INSTRUCTION

## QUEEN BED

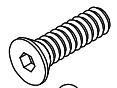
# PARTS



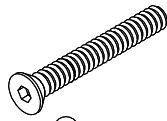
# STEP 1



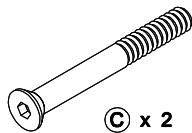
## HARDWARE



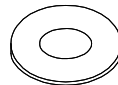
**A** x 32  
(M8 x 20)



**B** x 14  
(M8 x 50)



**C** x 2  
(M8 x 60)



**D** x 8  
WASHER (8x20)



**E** x 8  
(NUT M8)

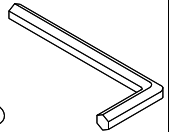


**F** x 12  
(M4 x 15)

## TOOL

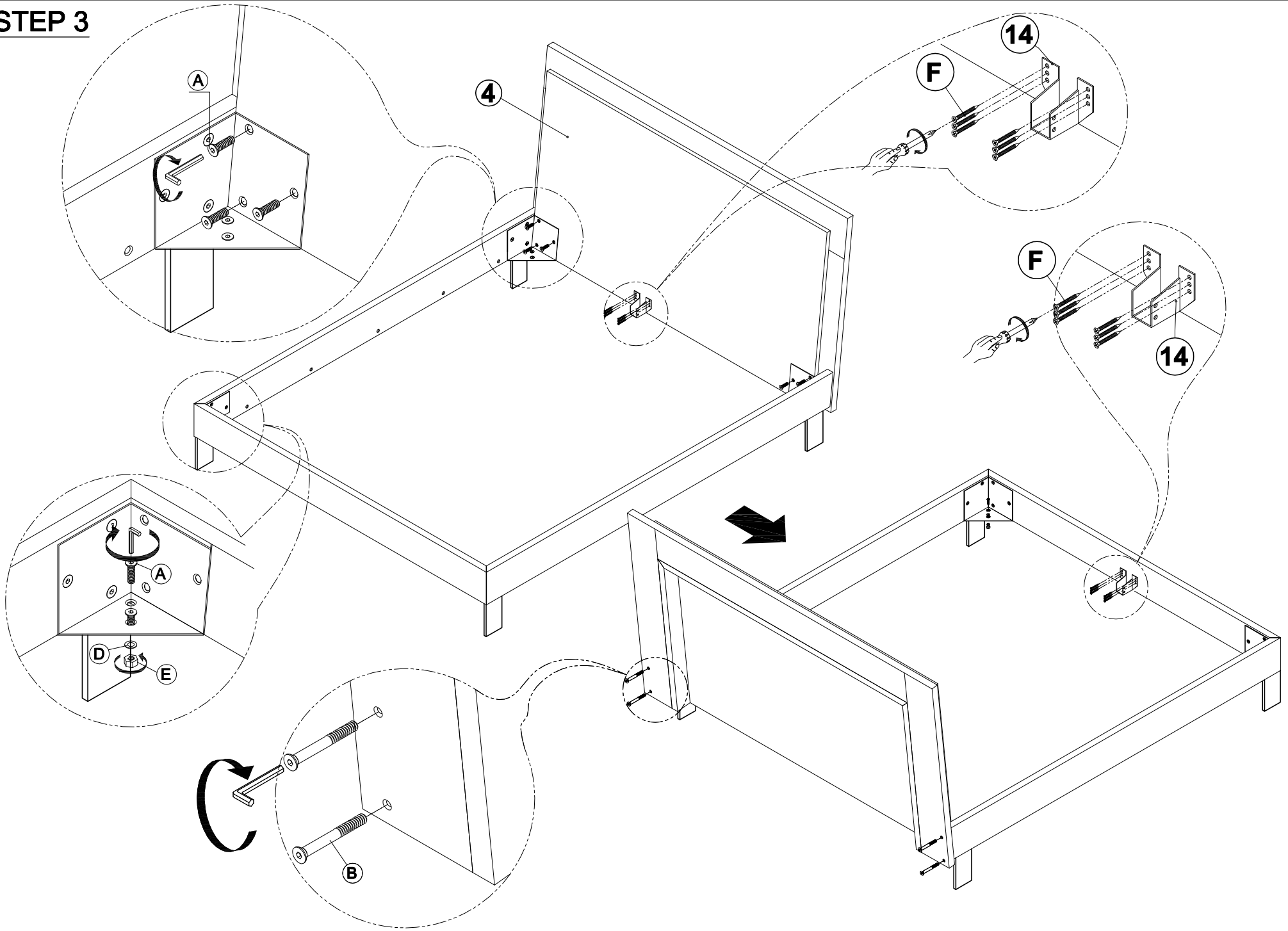


WRENCH 13



ALLEN KEY

# STEP 3



# STEP 4

