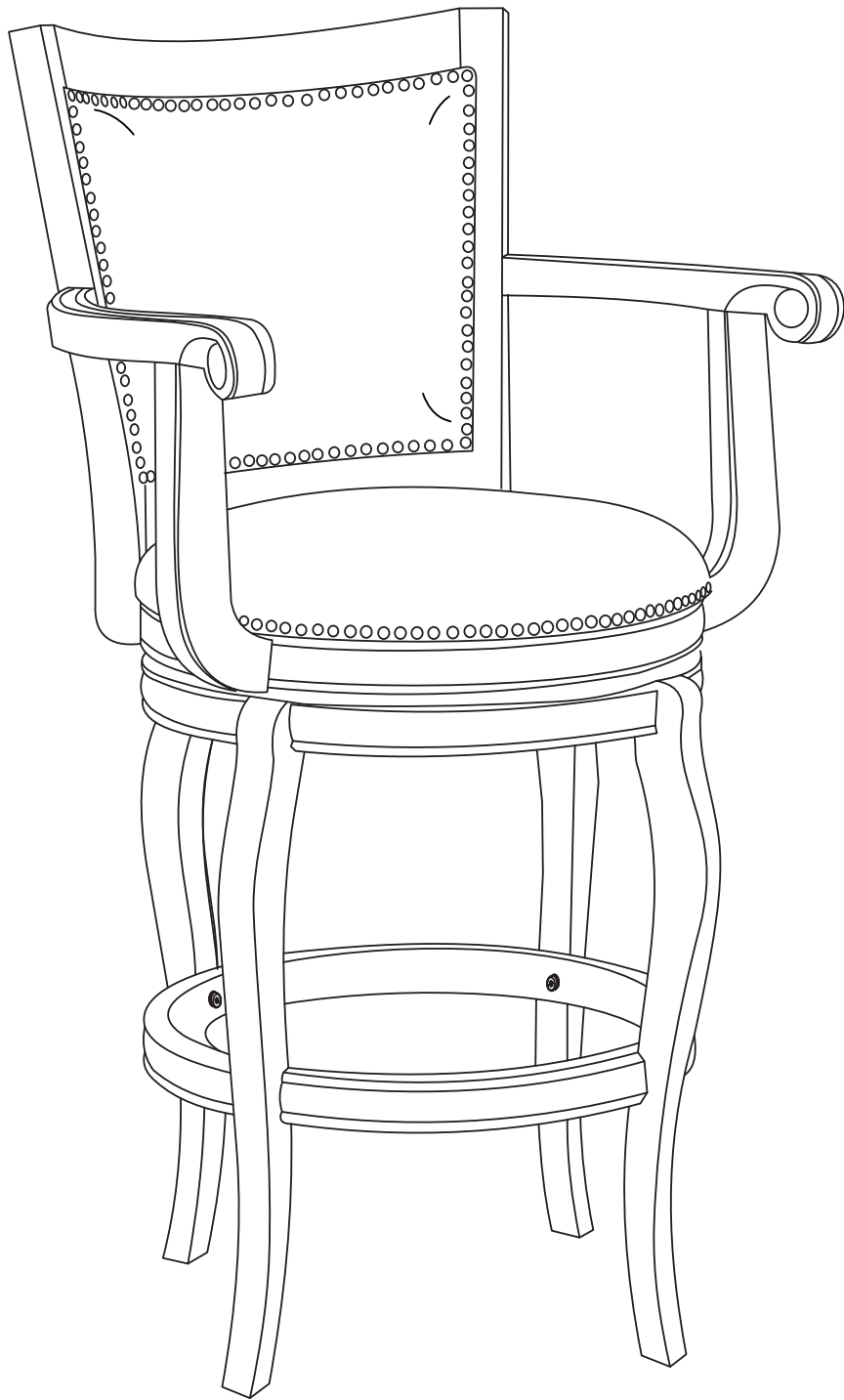


**SWIVEL STOOL**  
ASSEMBLY INSTRUCTIONS





**PLEASE READ ME FIRST**



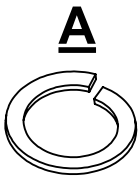
- Have questions about assembling your item?



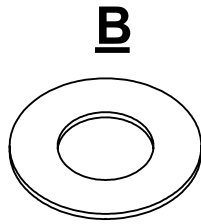
- Item or parts damaged?



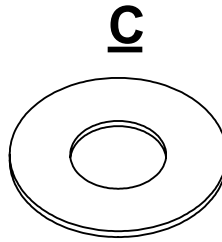
- Missing a part?



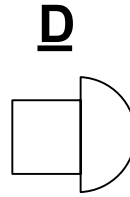
22 PCS  
Ø6x10



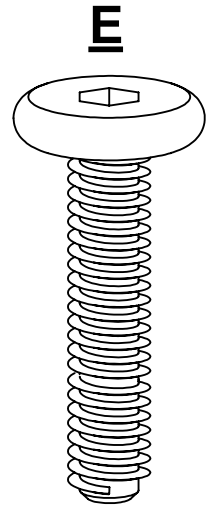
2 PCS  
Ø6x13



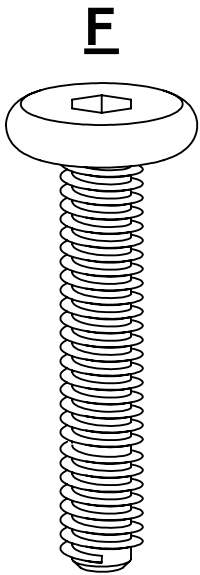
26 PCS  
Ø6x16



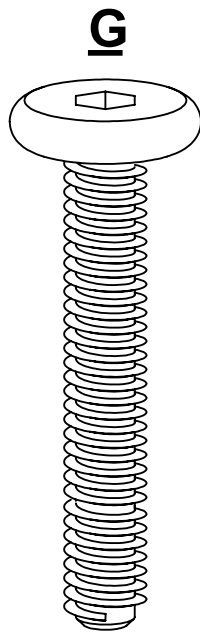
2 PCS  
Ø7.5x15.5



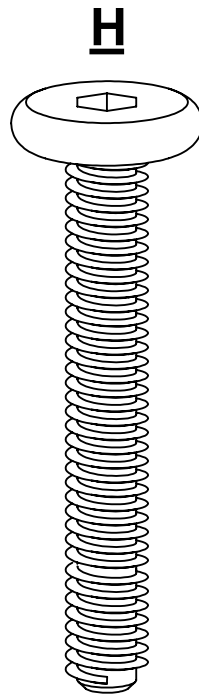
4 PCS  
M6x35



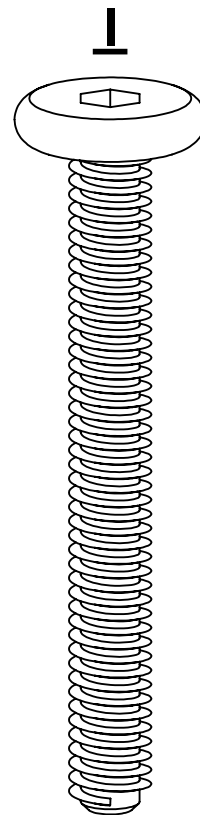
12 PCS  
M6x40



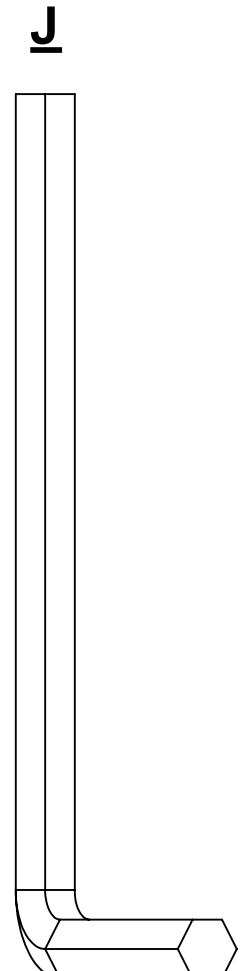
6 PCS  
M6x45



2 PCS  
M6x50

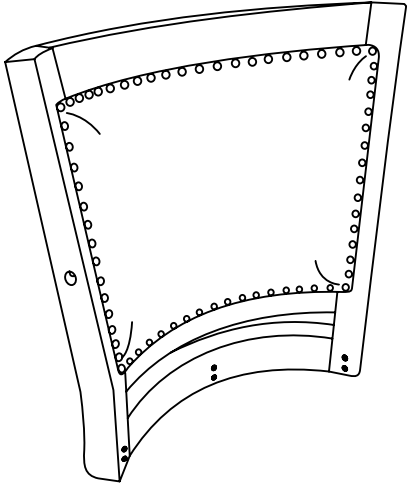


4 PCS  
M6x60

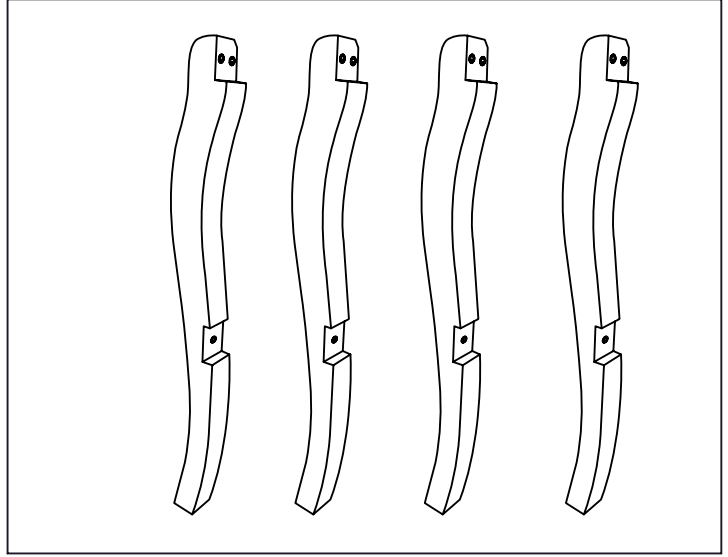


1 PC

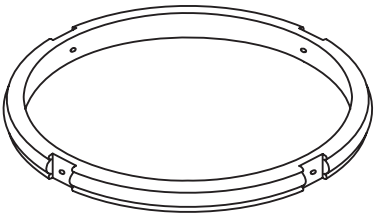
1



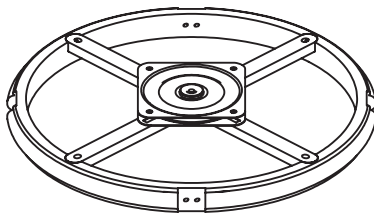
2



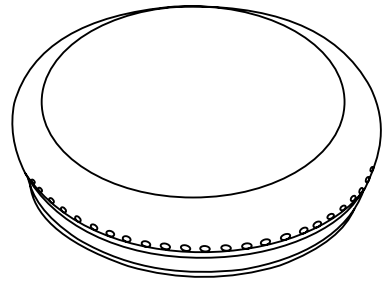
3



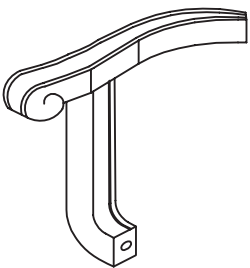
4



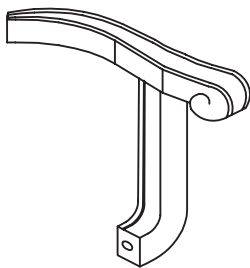
5



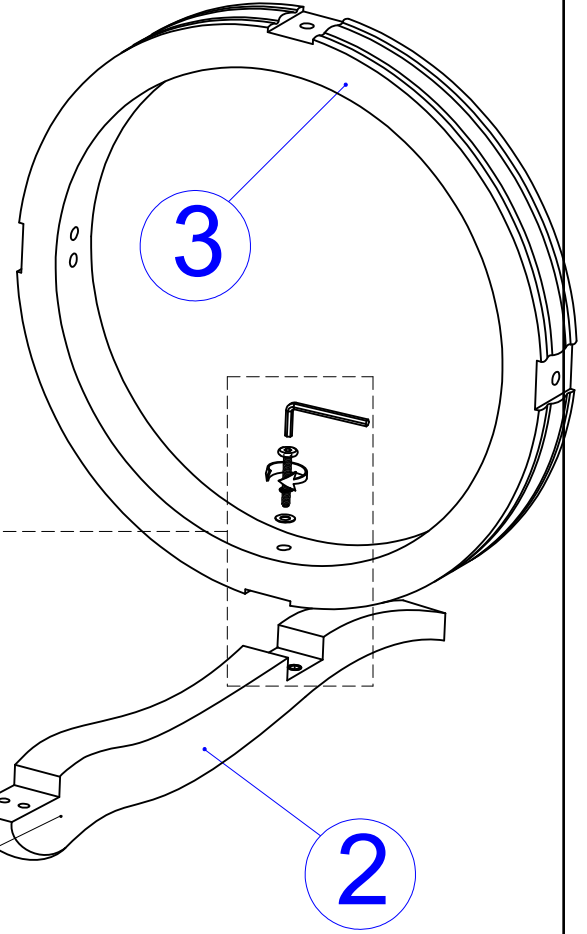
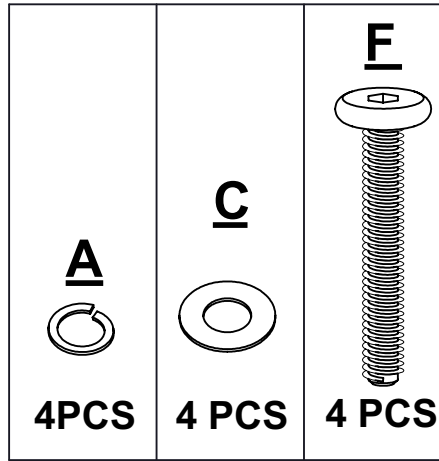
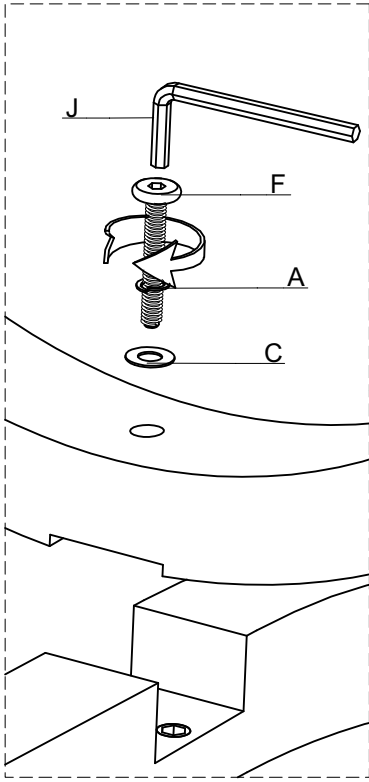
6



7



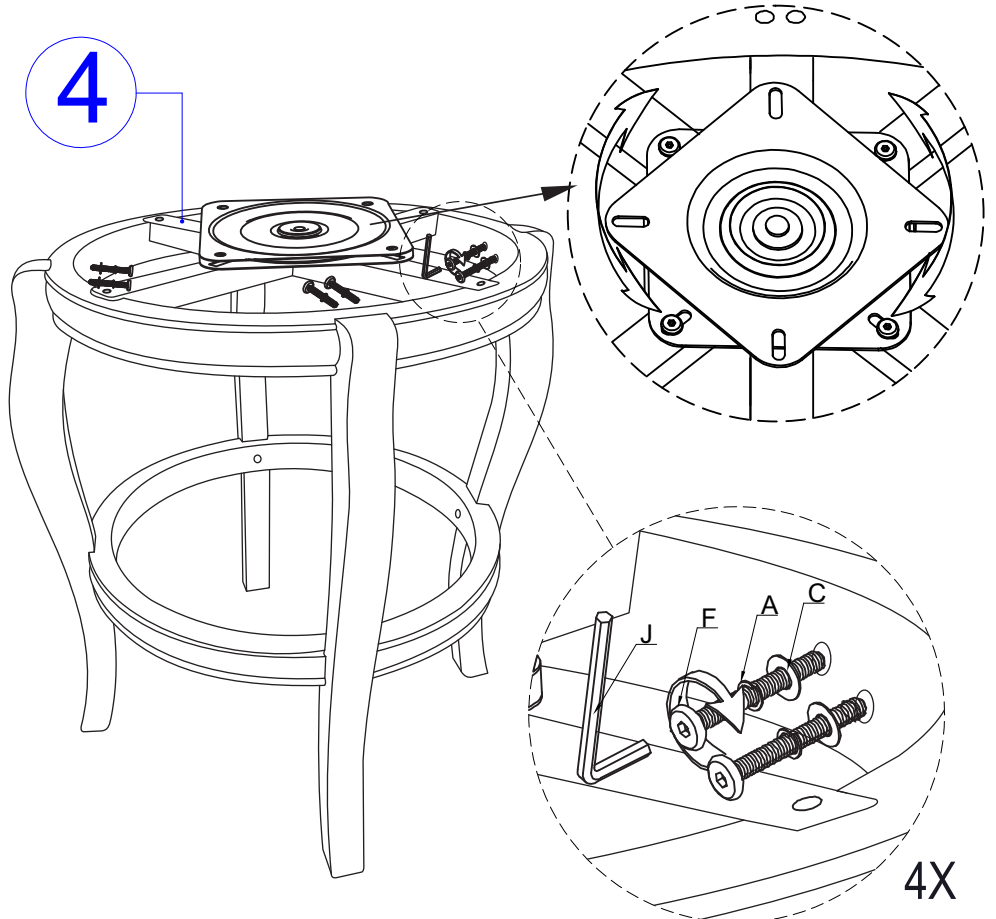
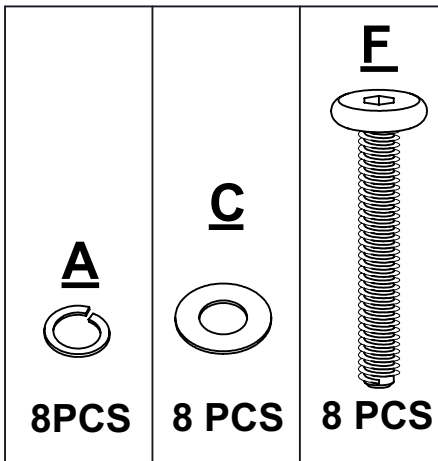
# 01



4X

DO NOT TIGHTEN BOLT COMPLETELY.

# 02



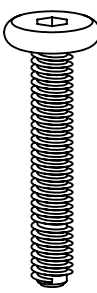
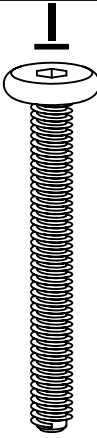


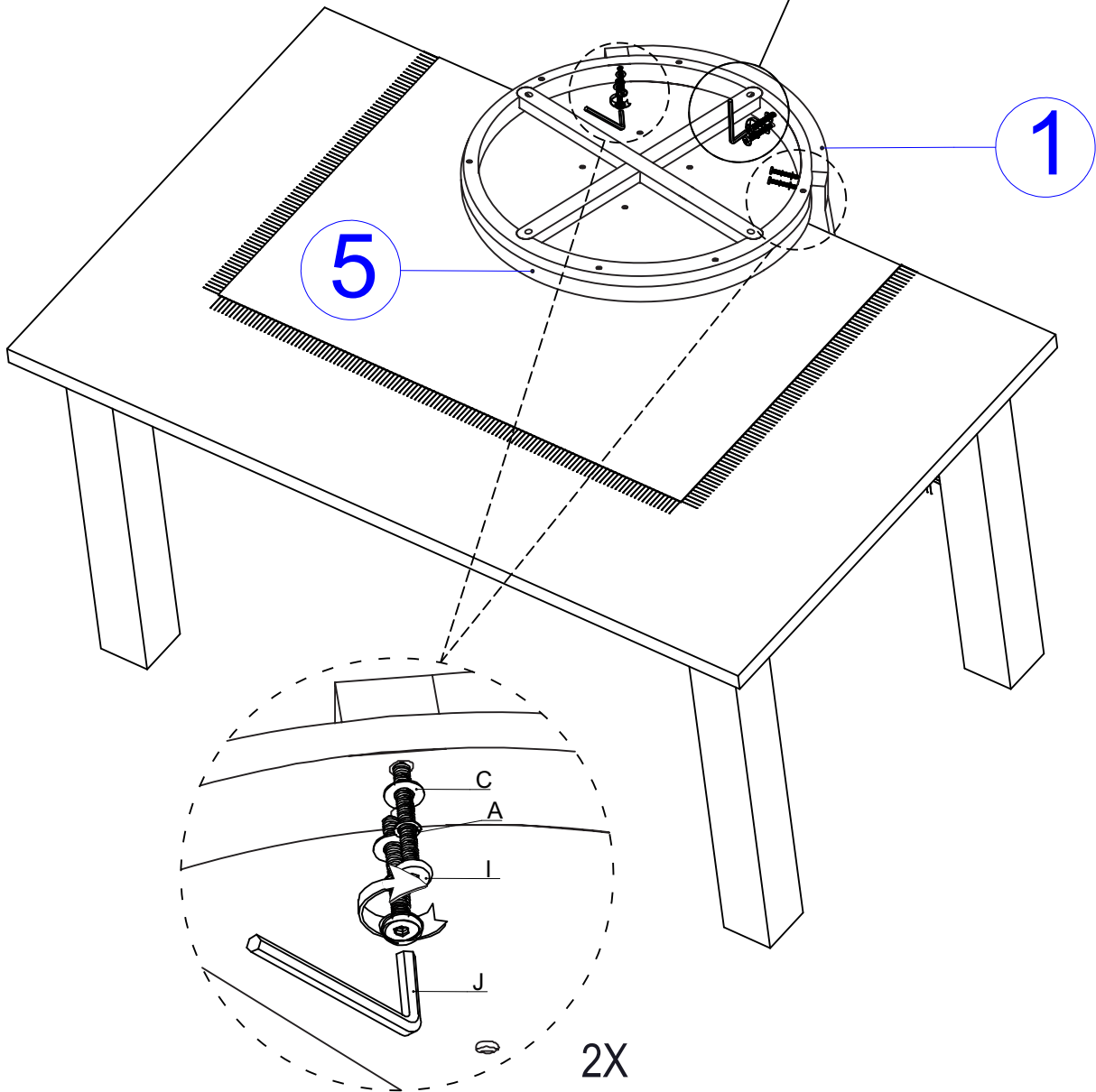
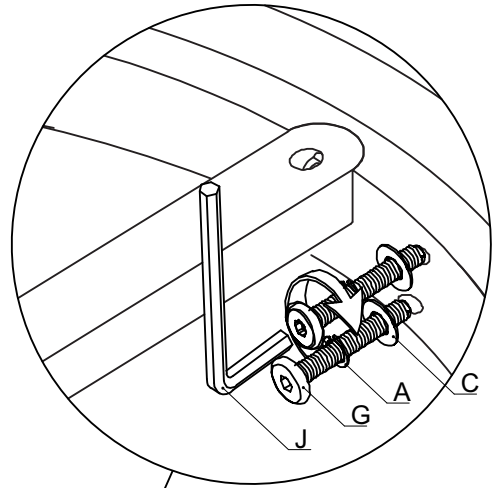
4

4X

TIGHTEN BOLT COMPLETELY.

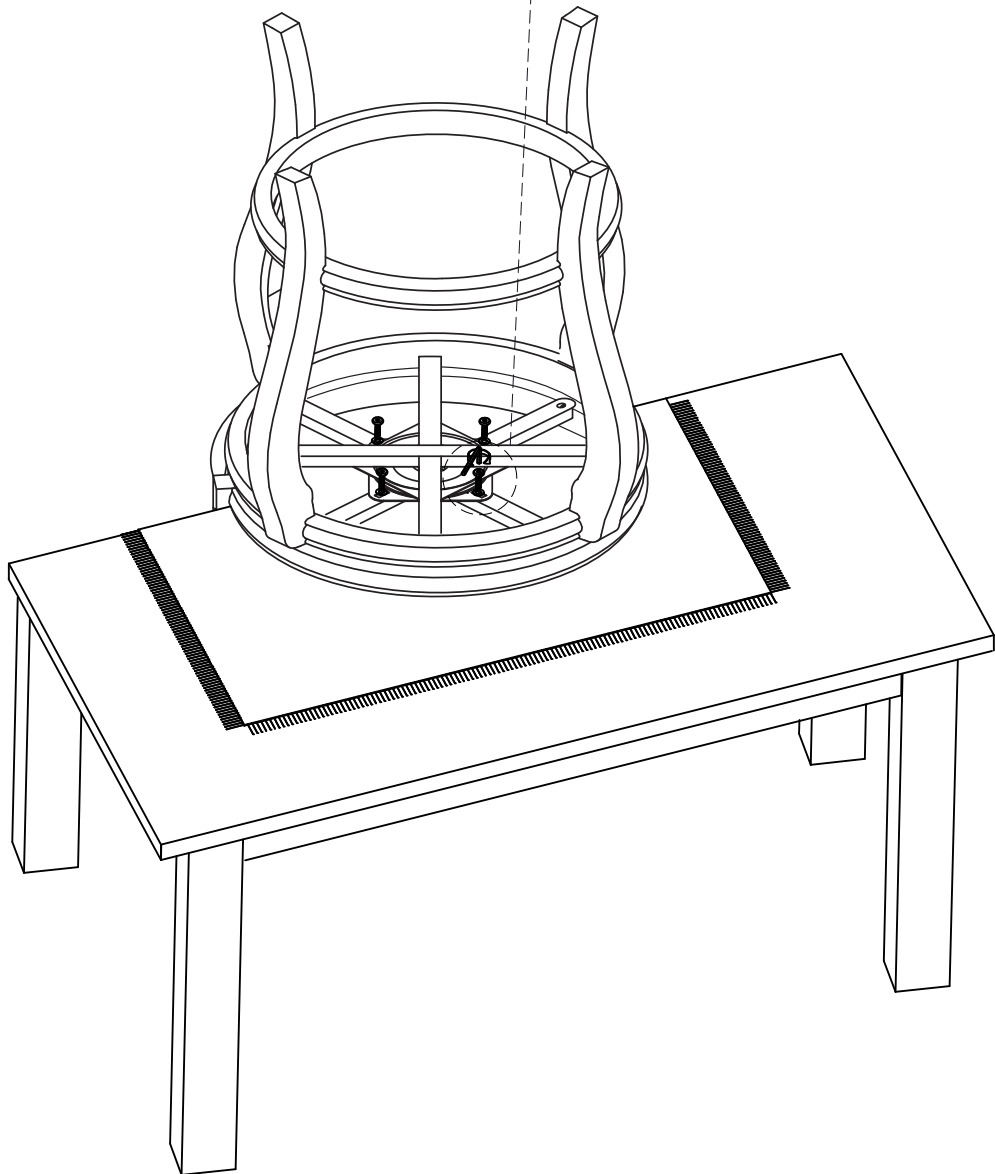
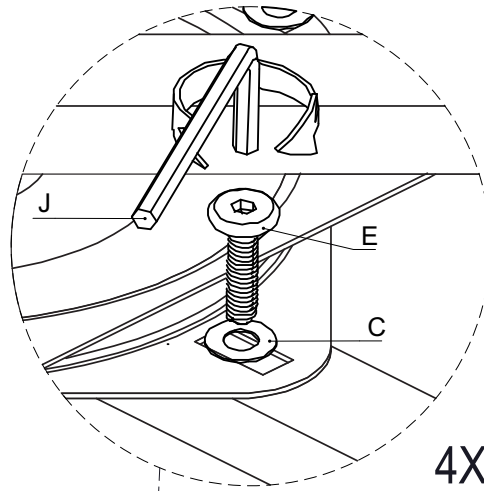
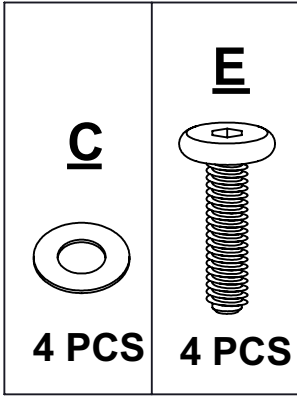
# 03

<b>A</b>  6 PCS	<b>C</b>  6 PCS	<b>G</b>  2 PCS	<b>I</b>  4 PCS
--------------------------------------------------------------------------------------------------------	--------------------------------------------------------------------------------------------------------	--------------------------------------------------------------------------------------------------------	--------------------------------------------------------------------------------------------------------






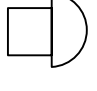
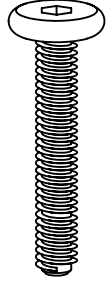
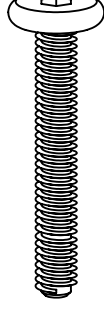
TIGHTEN BOLT COMPLETELY.

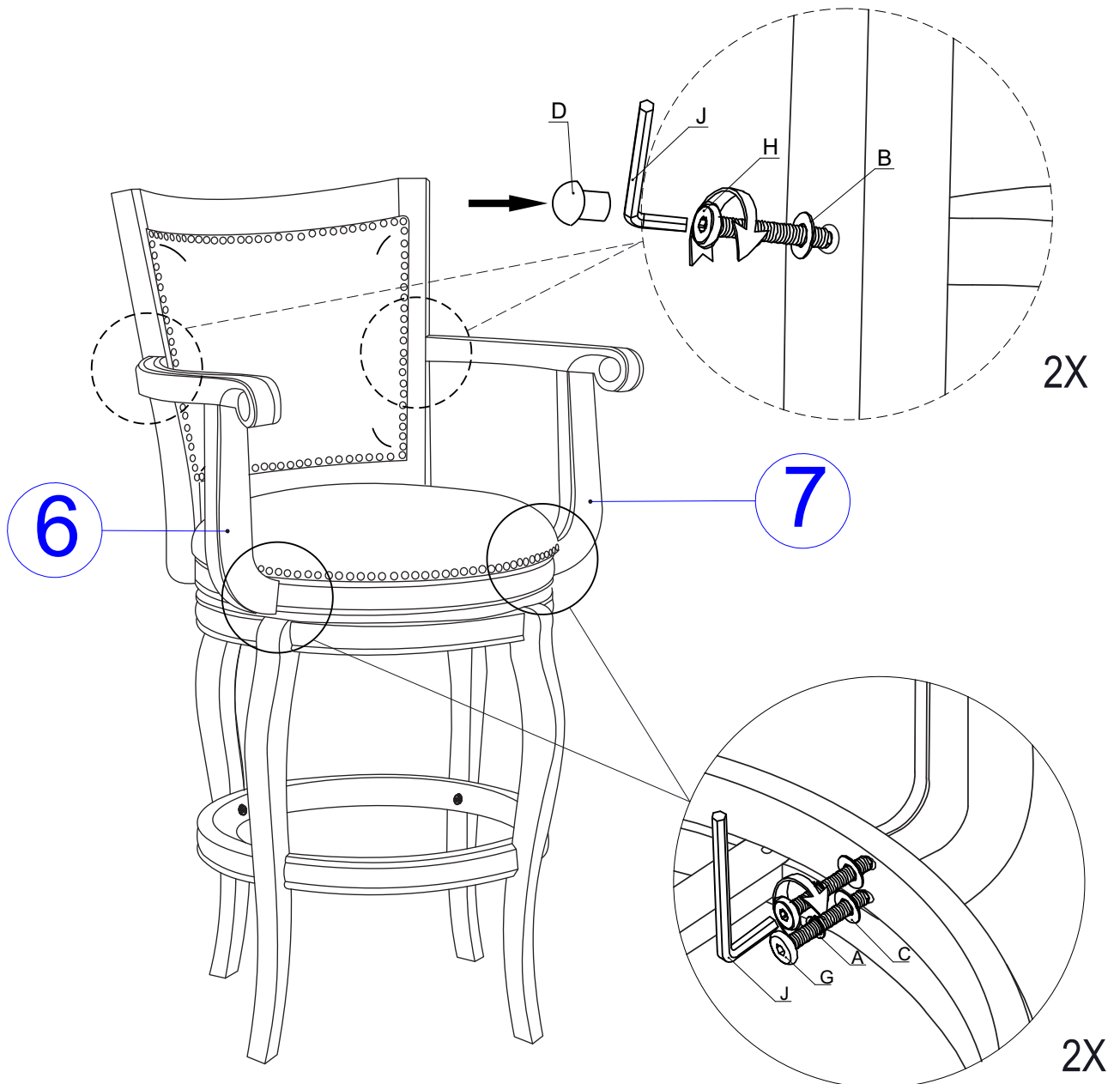
# 04



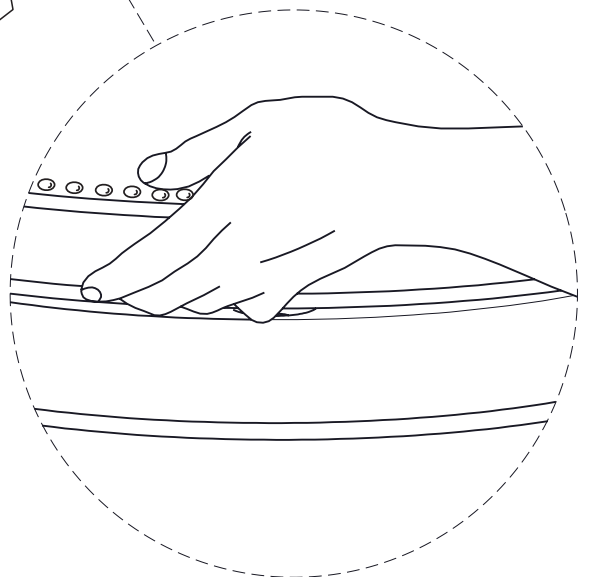
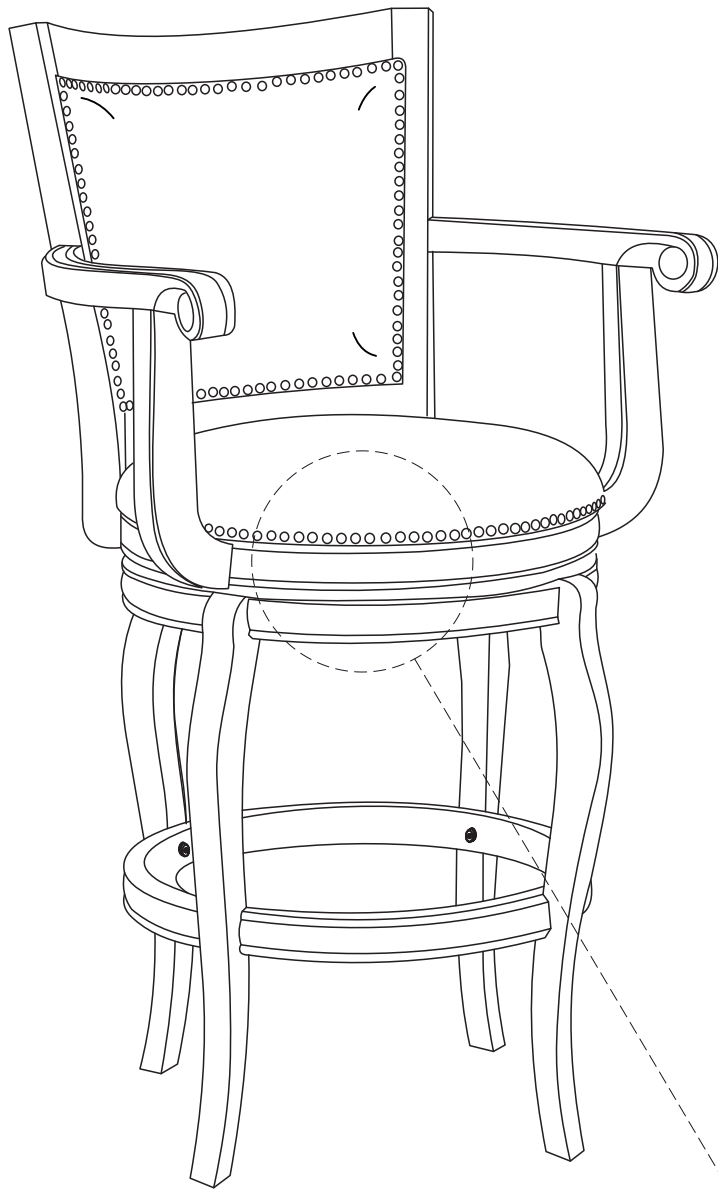
TIGHTEN BOLT COMPLETELY.

# 05

<b>A</b> 	<b>B</b> 	<b>C</b> 	<b>D</b> 	<b>G</b> 	<b>H</b> 
4 PCS	2 PCS	4 PCS	2 PCS	4 PCS	2 PCS



TIGHTEN BOLT COMPLETELY.



BE SURE TO CHECK ALL BOLTS ARE SECURELY  
TIGHTENED PRIOR USING THIS STOOL.