
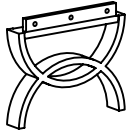
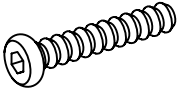


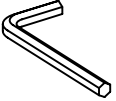
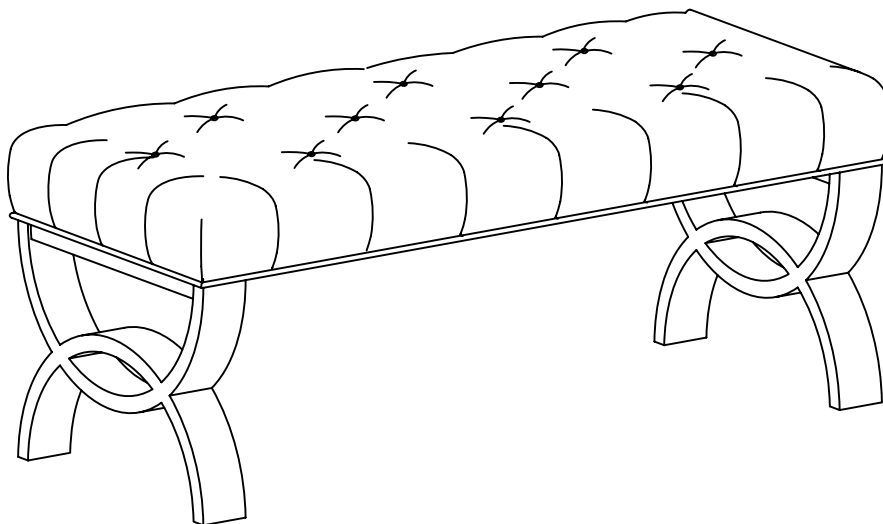


ASSEMBLY INSTRUCTION

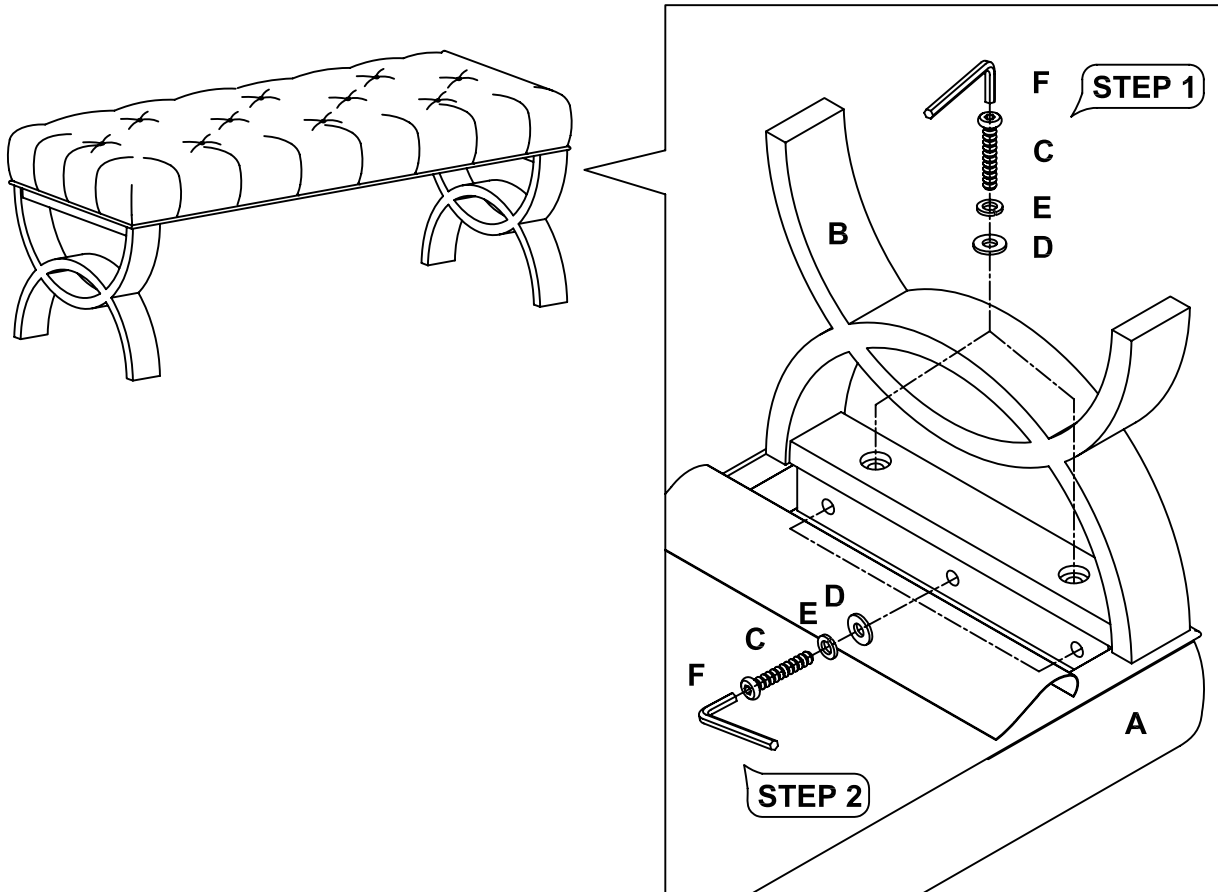
48" BENTWOOD LEG BENCH

A Cushion	B Leg	C Bolt 5/16",38mm	D Flat Washer	E Lock Washer	F Allen Wrench
					
1 PC	2 PCS	10 PCS	10 PCS	10 PCS	1 PC

This page lists all the contents included in the box. Please take the time to identify the hardware as well as the individual components to this product. As you unpack and prepare for assembly, place the contents on a carpeted or padded area to protect them from damage.



- 1** Attached Leg (B) to the Cushion (A). Use Bolt (C), Lock Washer (E) and Flat Washer (D), on holes of Wood (A). Turn the Allen Wrench (F) in Bolt (C).
(Note:Tighten the two Screws of "STEP 1" , Then tighten the three Screws of "STEP 2".)



Cleaning & Care

Treat surface with care. Surface is resistant to scratches but is not scratch resistant. Clean surface with a dry or damp soft cloth. Do not use abrasive cleaners. Hardware may loosen over time. Periodically check that all connections are tight.