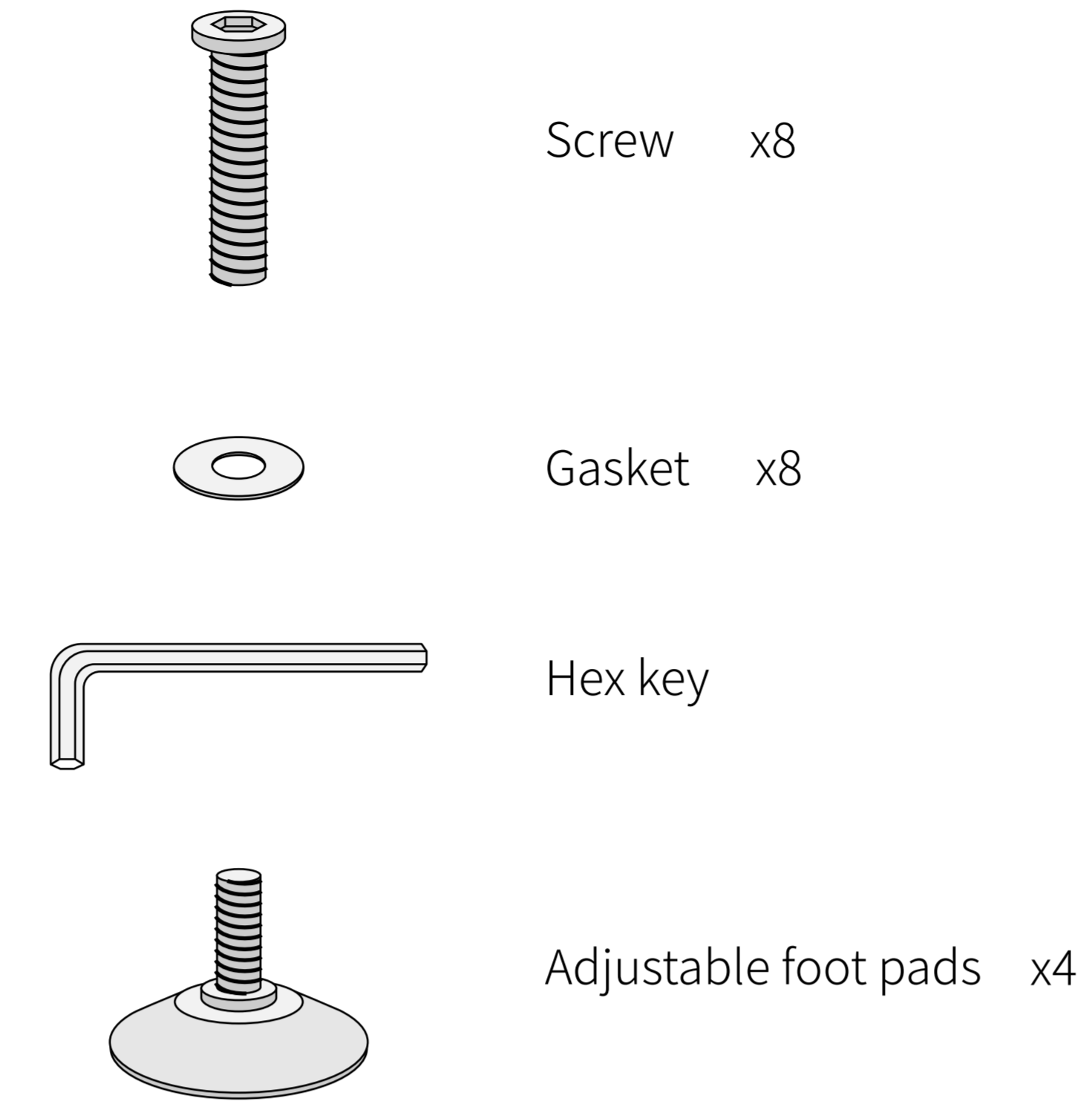
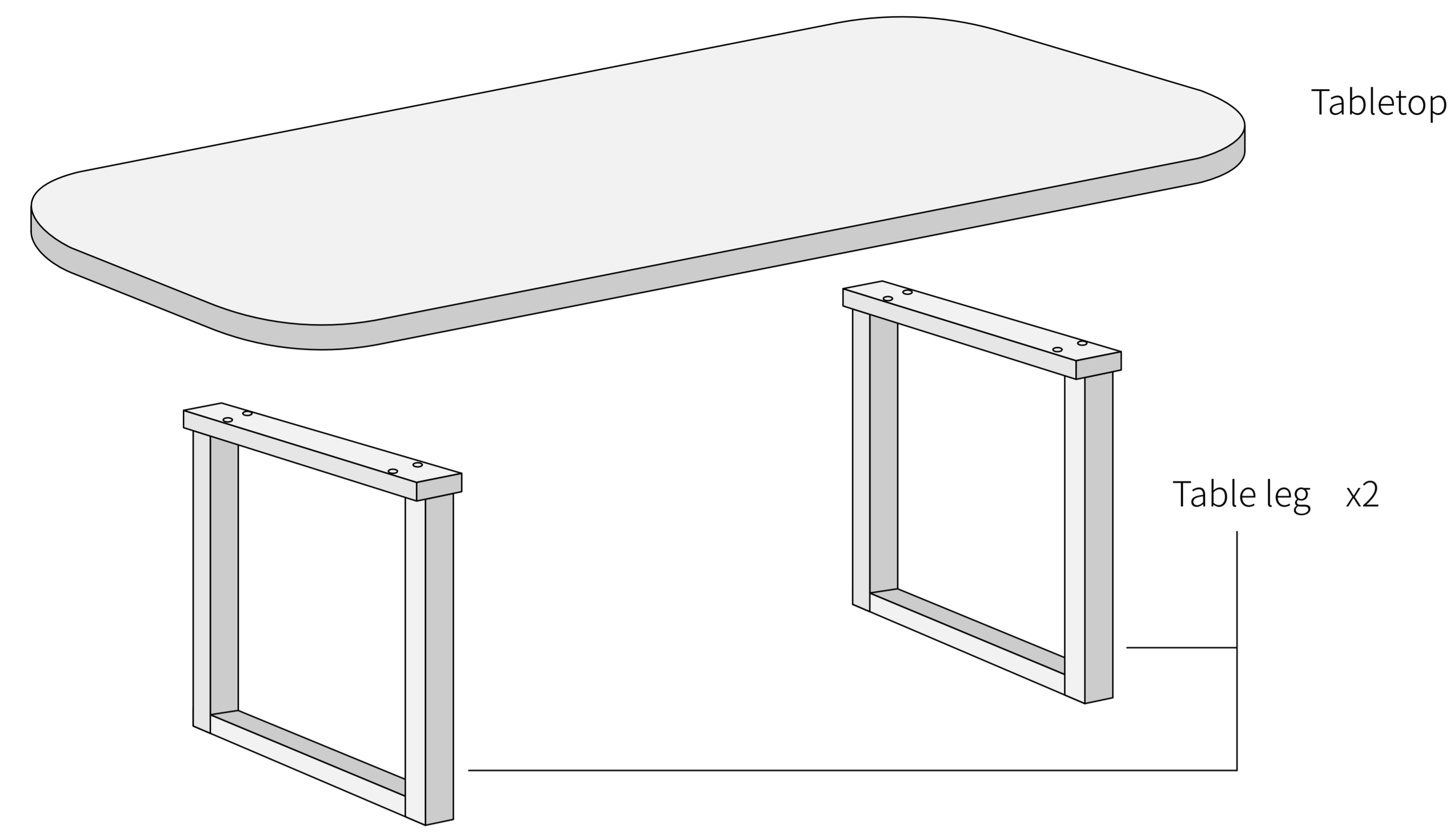


WOODEN TABLE INSTALLATION TUTORIAL

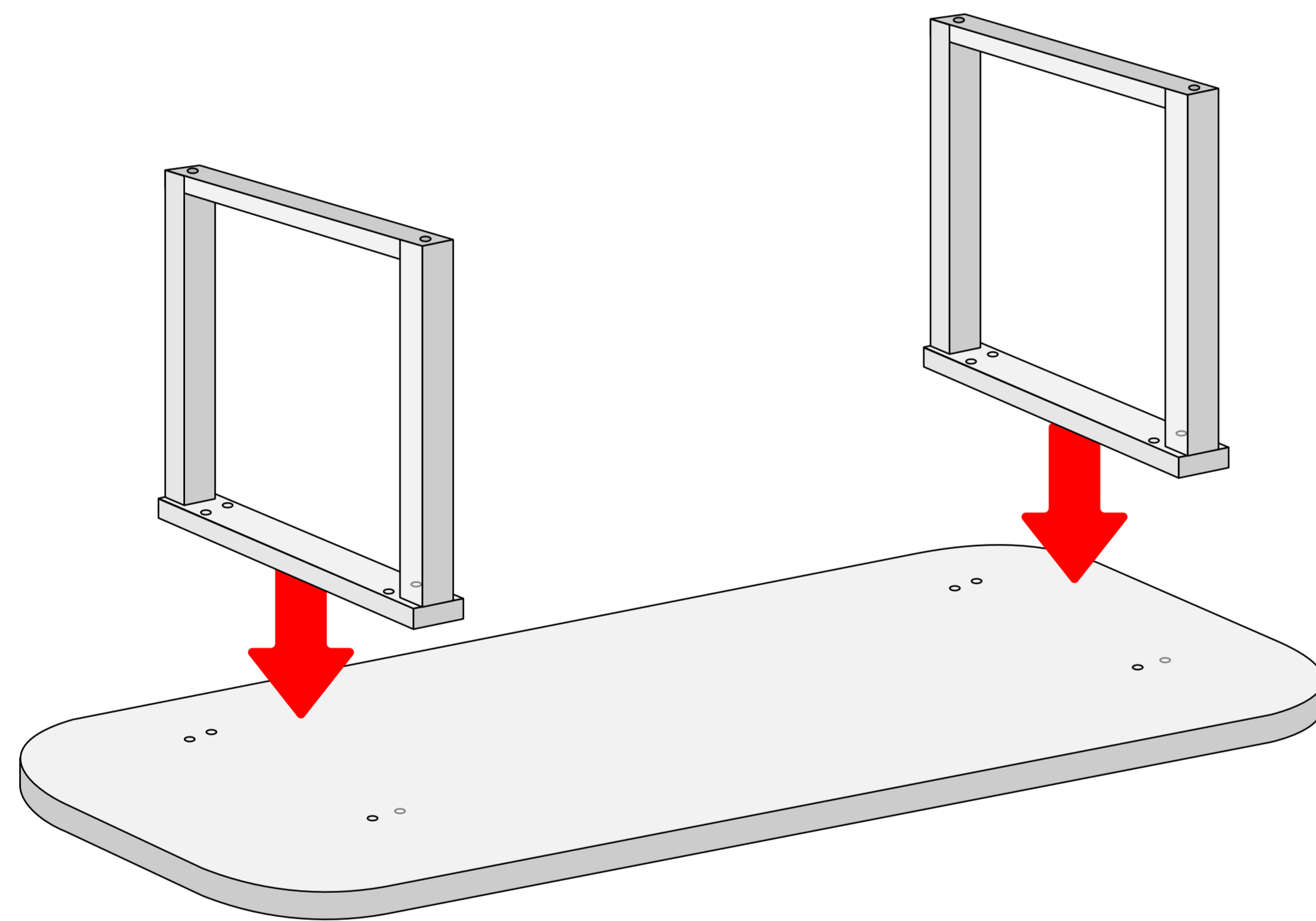
PARTS LIST

The extra parts are for spare



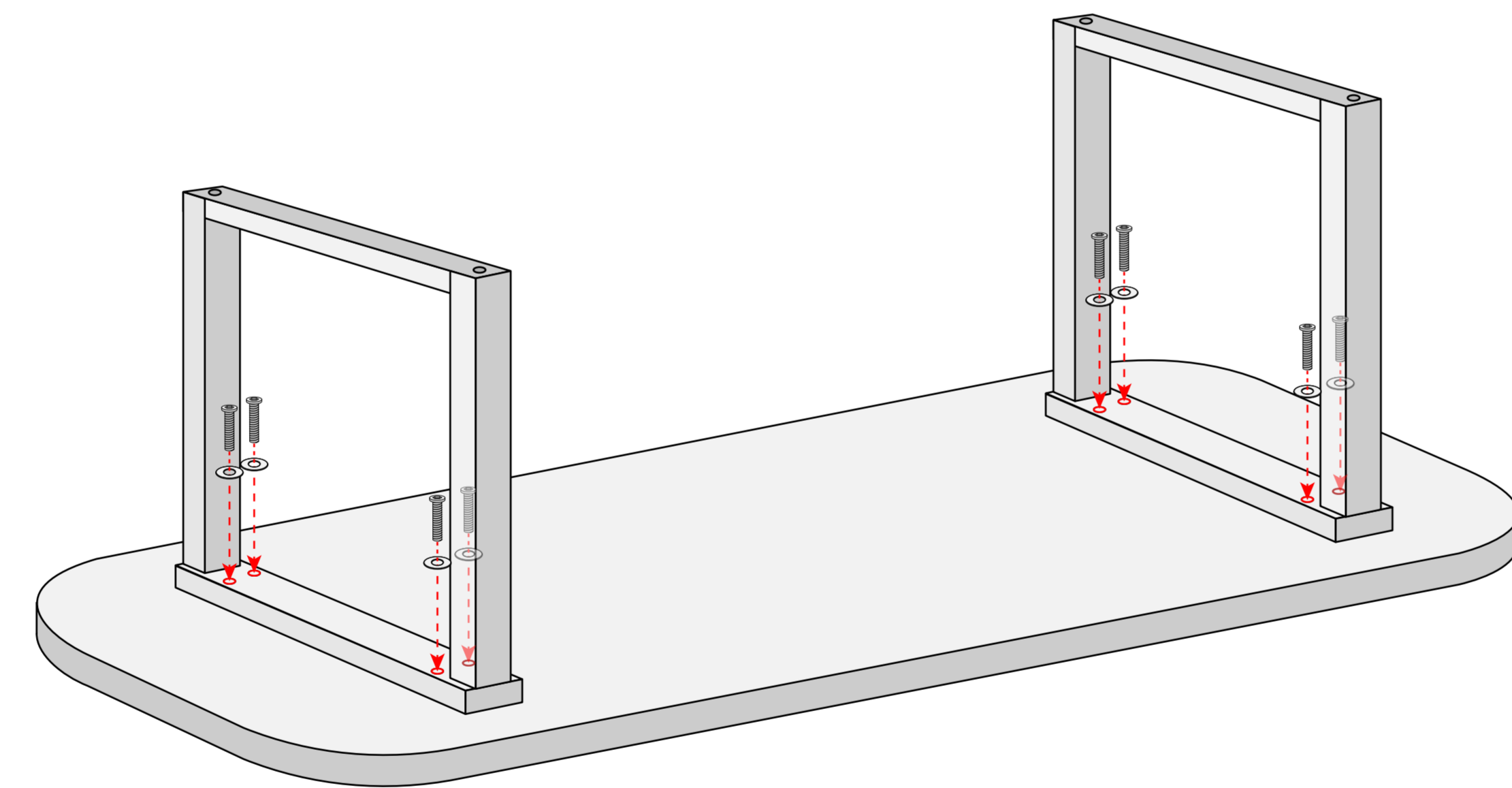
STEP 1

Turn the "Table leg" and "Tabletop" upside down and place them on the ground. Place the "Table leg" on the back of the "Tabletop", aligned with the holes.



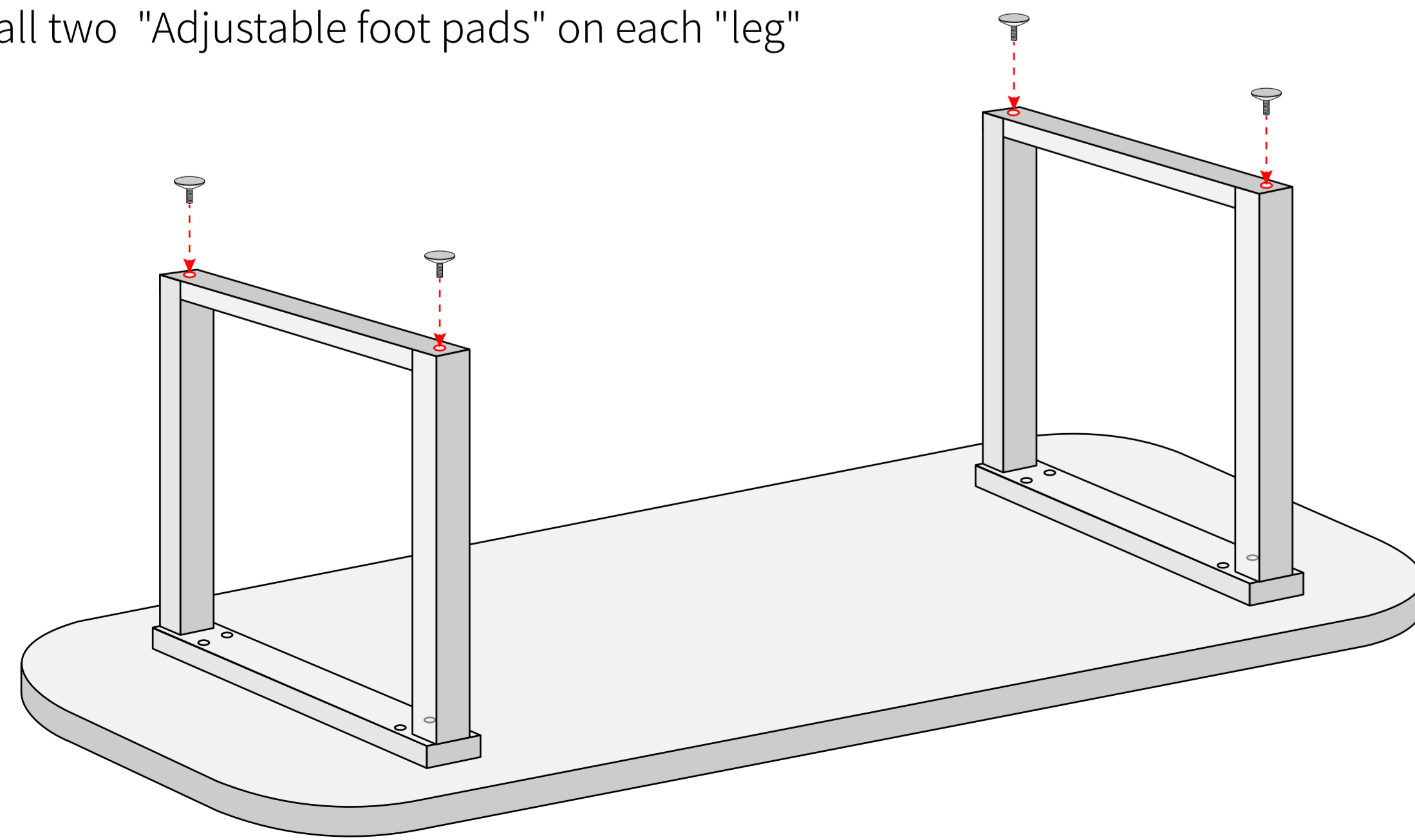
STEP 2

Use "screws" and "gaskets" to secure the "Table leg", each "Table leg" needs four "screws".



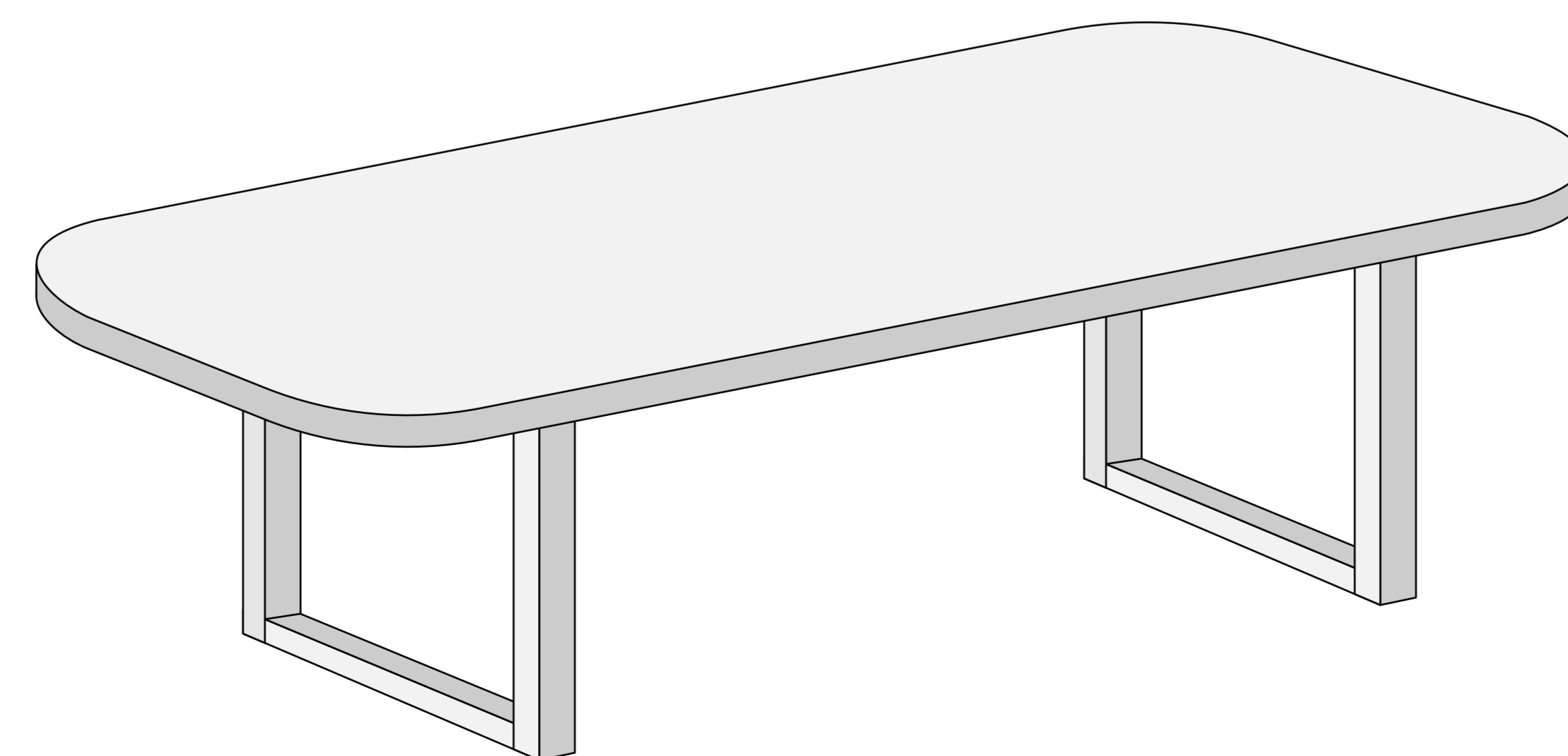
STEP 3

Install "Adjustable foot pads" on the "Table leg", install two "Adjustable foot pads" on each "leg".



STEP 4

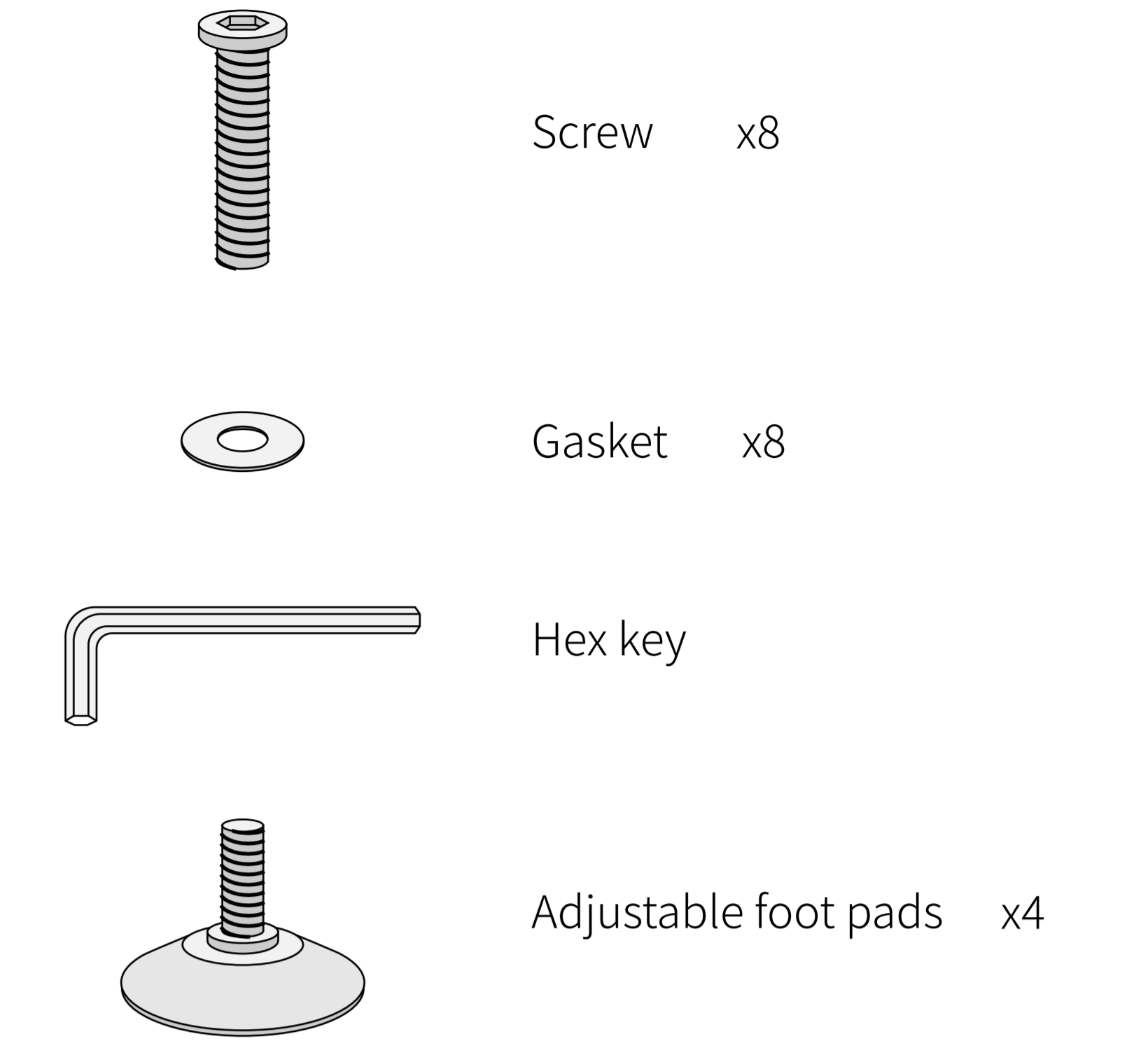
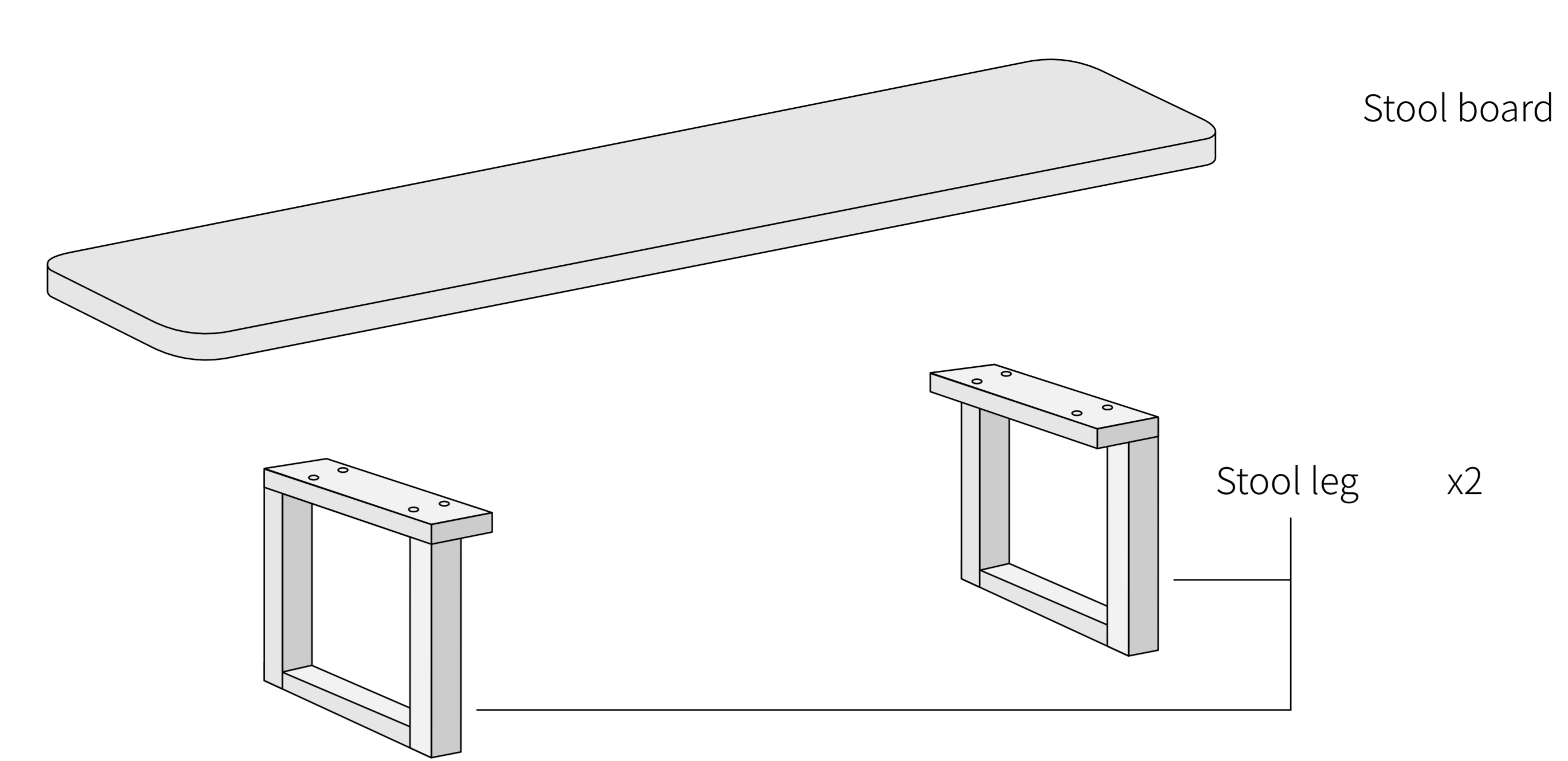
Installation complete



WOODEN BENCH INSTALLATION TUTORIAL

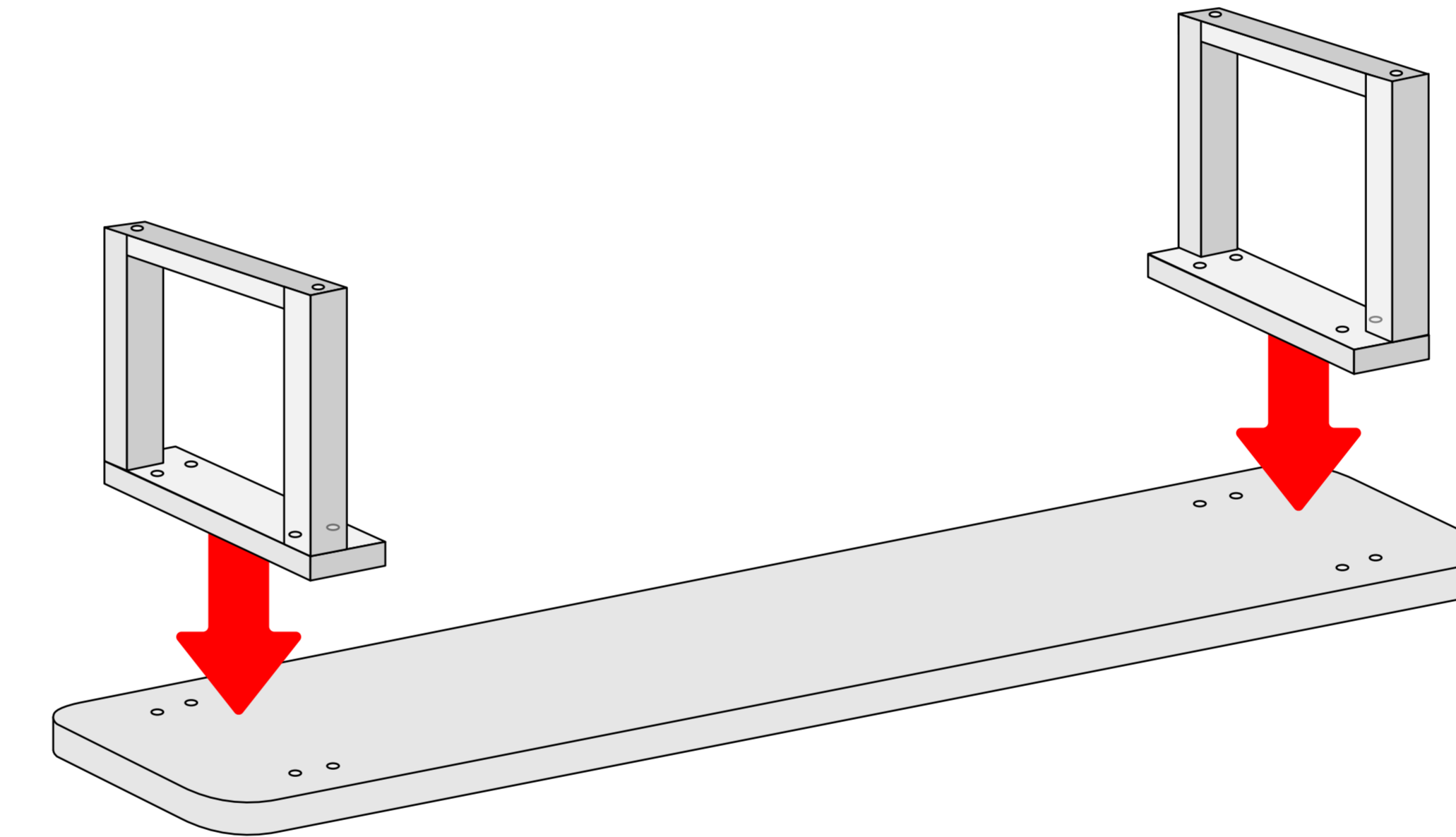
PARTS LIST

The extra parts are for spare



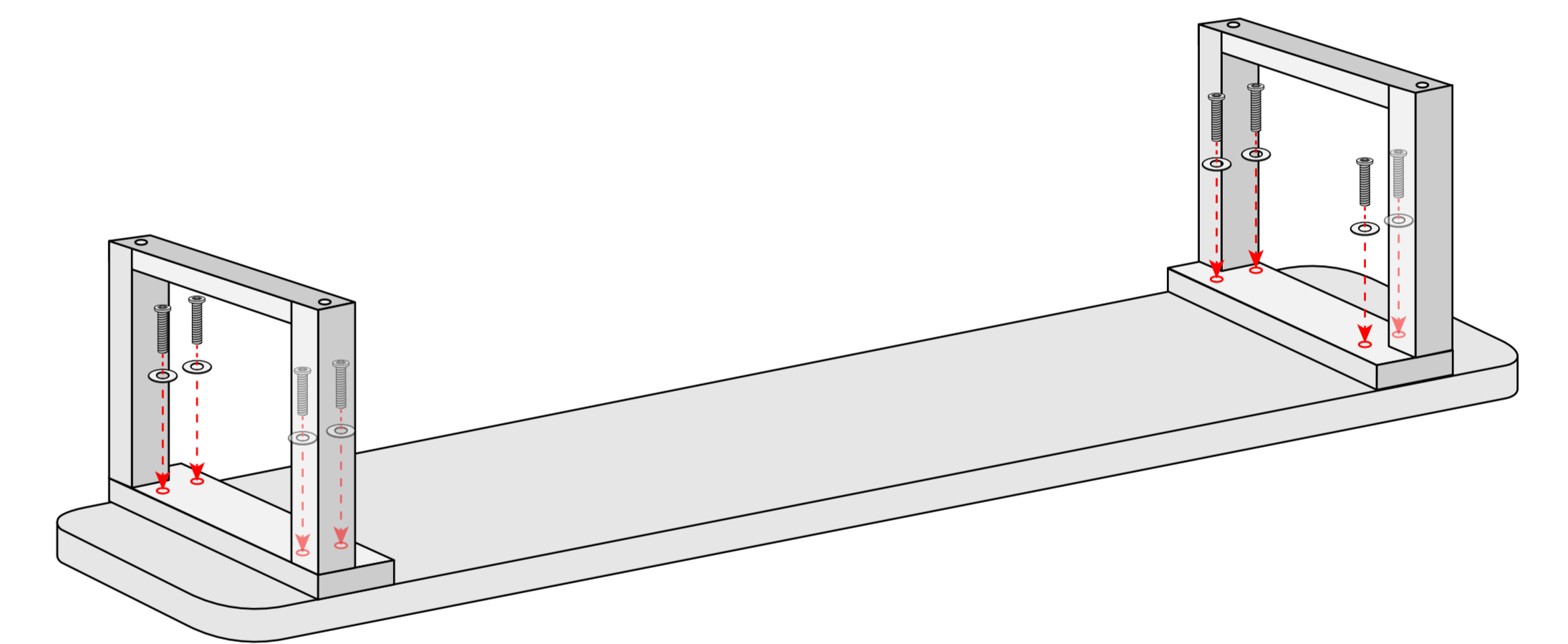
STEP 1

Turn the "Stool leg" and "Stool board" upside down and place them on the ground. Place the "Stool leg" on the back of the "Stool board", aligned with the holes.



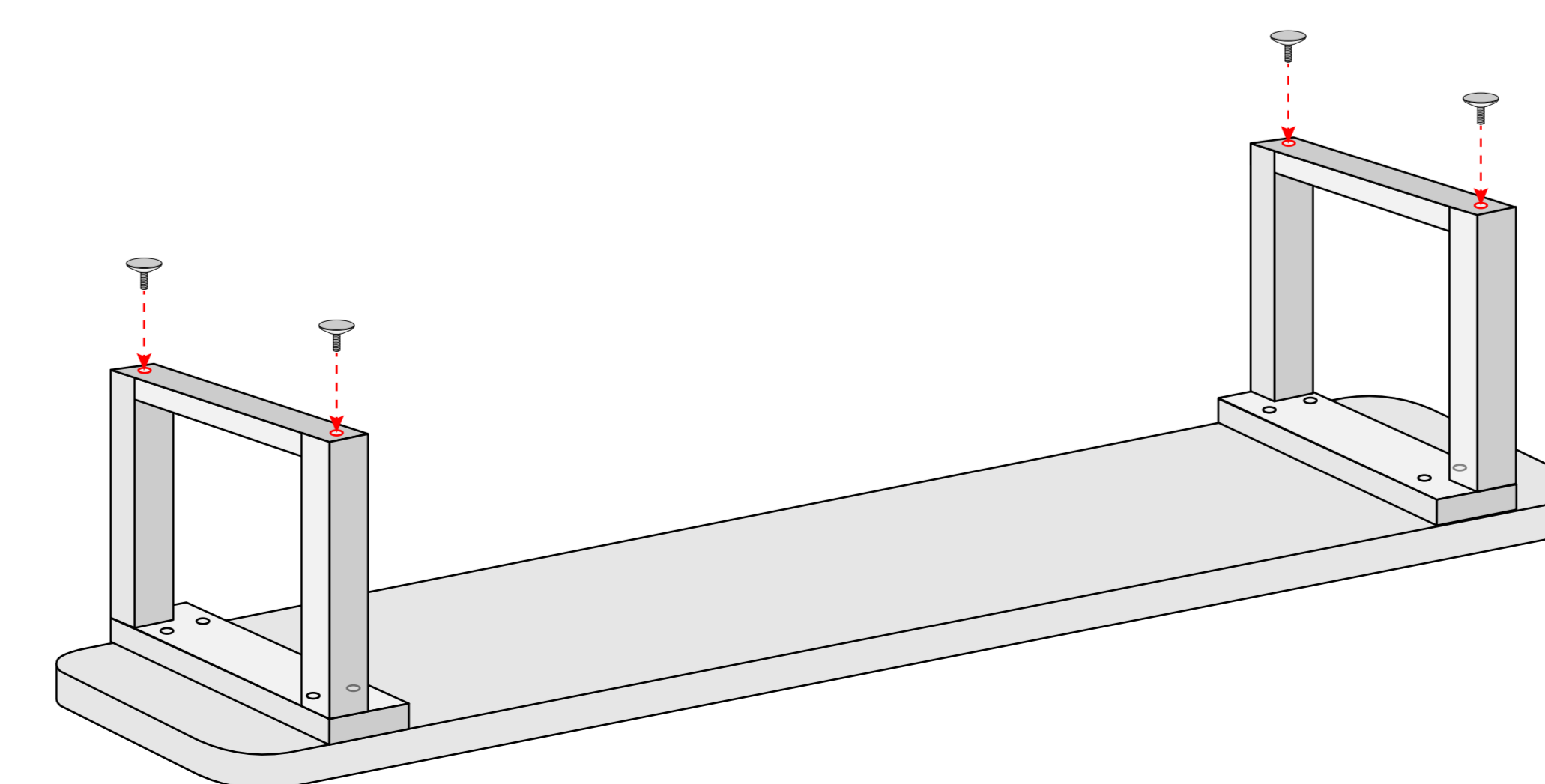
STEP 2

Use "screws" and "gaskets" to secure the "Stool leg", each "Stool leg" needs four "screws".



STEP 3

Install "Adjustable foot pads" on the "Stool leg", install two "Adjustable foot pads" on each "Stool leg".



STEP 4

Installation complete

