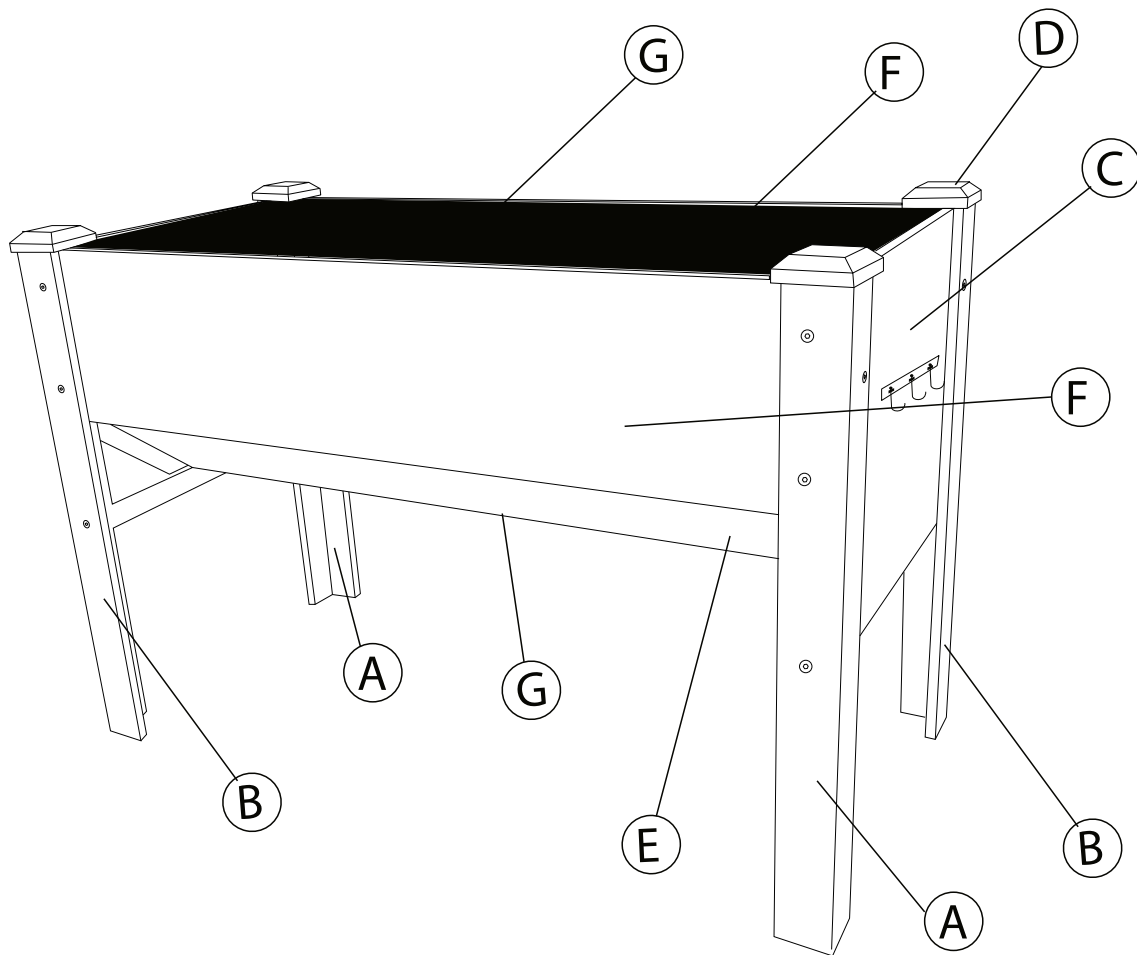
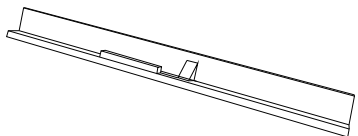
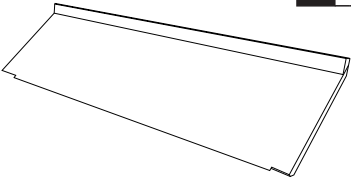

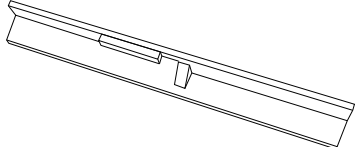
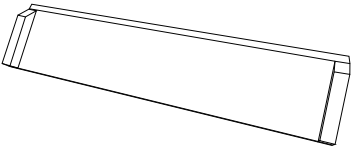

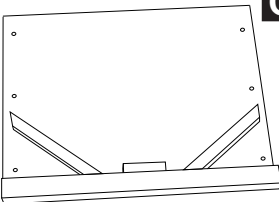
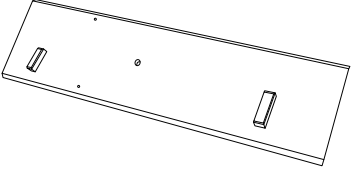

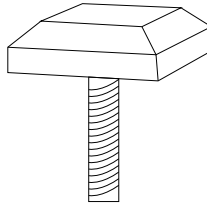
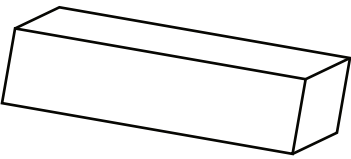
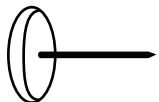



READ AND SAVE THIS INSTRUCTIONS FOR FUTURE USE

# ASSEMBLY & INSTRUCTION MANUAL

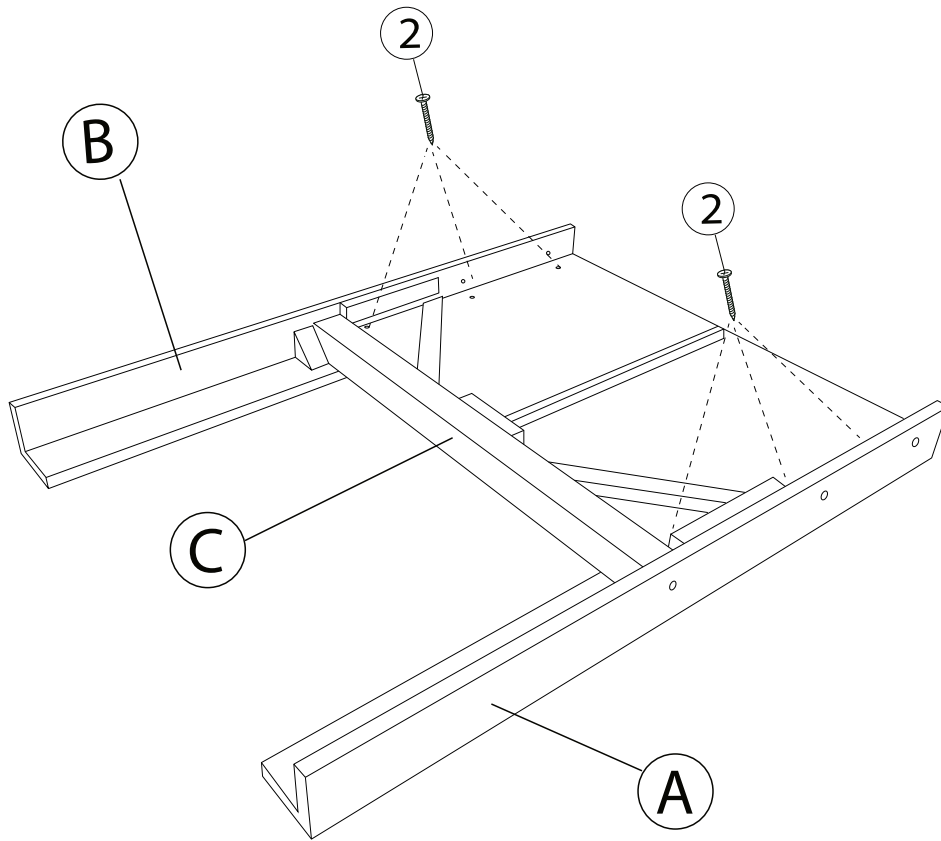


 <p><b>A</b> x 2</p>	 <p><b>E</b> x 2</p>	 <p><b>①</b> x 16 M6*40</p>
 <p><b>B</b> x 2</p>	 <p><b>F</b> x 2</p>	 <p><b>②</b> x 16 M4*25</p>
 <p><b>C</b> x 2</p>	 <p><b>G</b> x 1</p>	 <p><b>③</b> x 3 M2.5*12</p>
 <p><b>D</b> x 4</p>	 <p><b>H</b> x 1</p>	 <p><b>④</b> x 10</p>  <p><b>⑤</b> x 1</p>

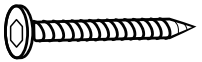
②x12



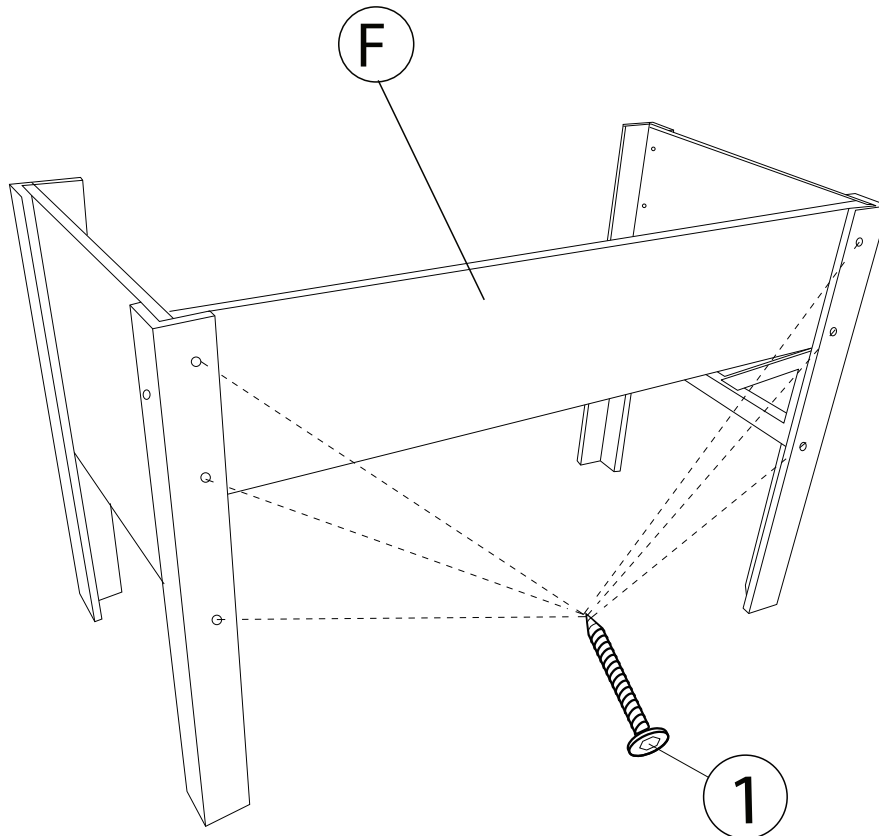
M4\*25



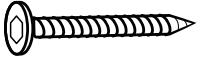
①x6



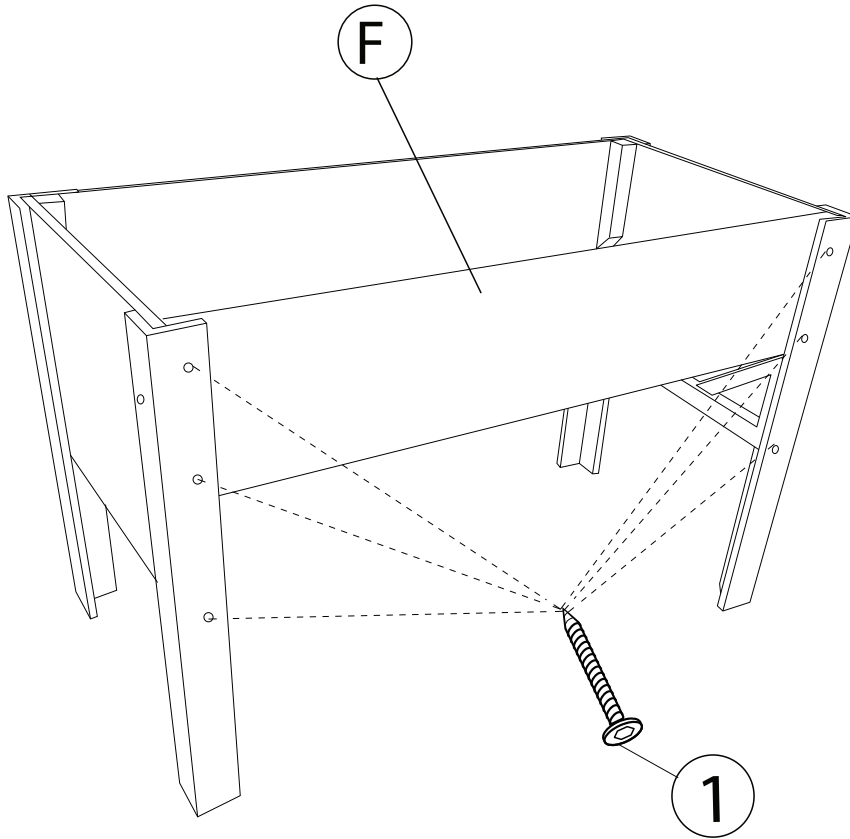
M6\*40



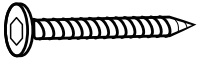
① x 6



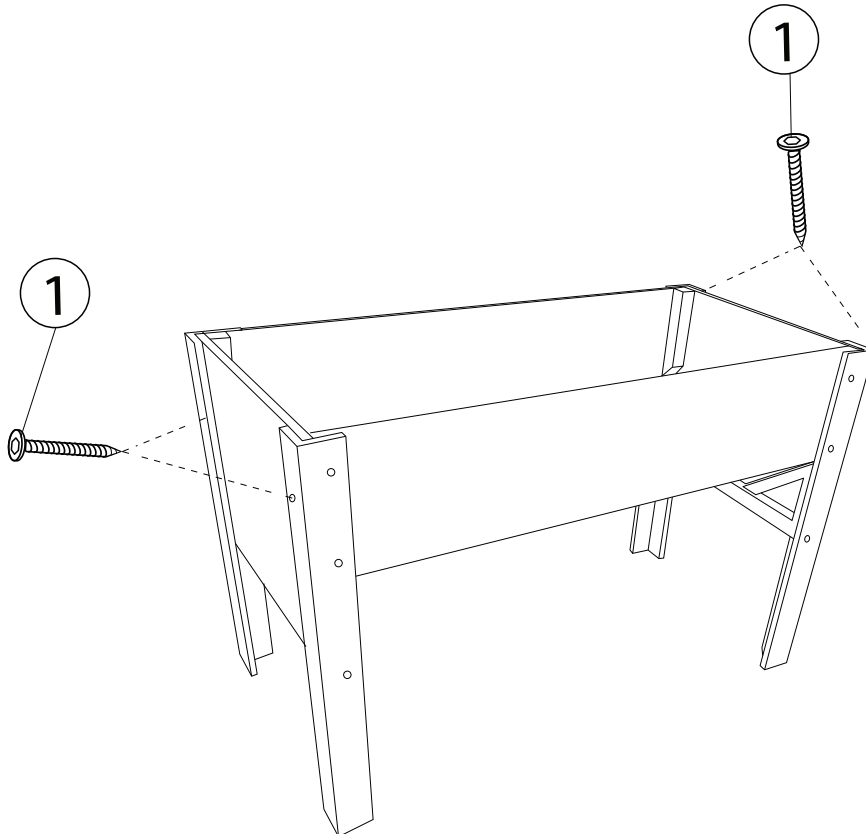
M6\*40

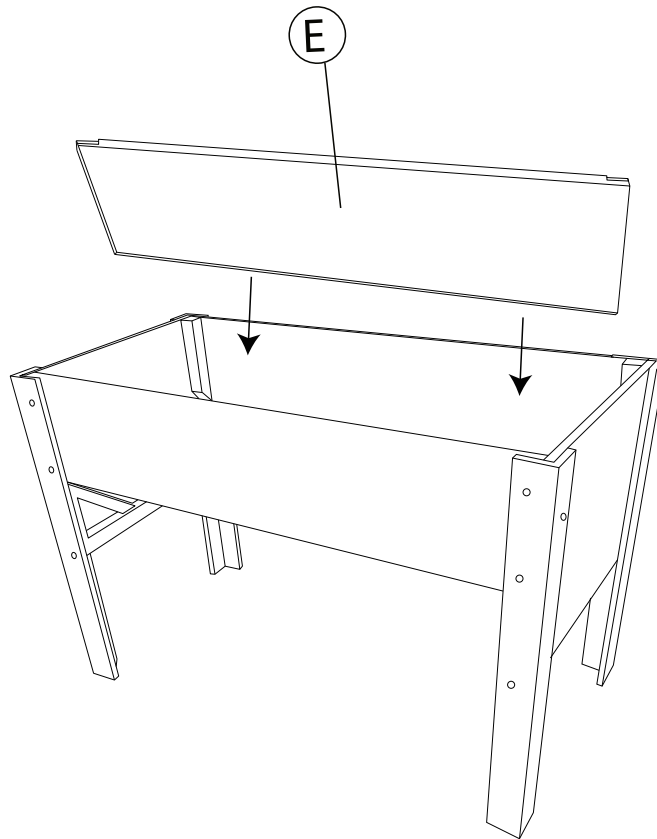
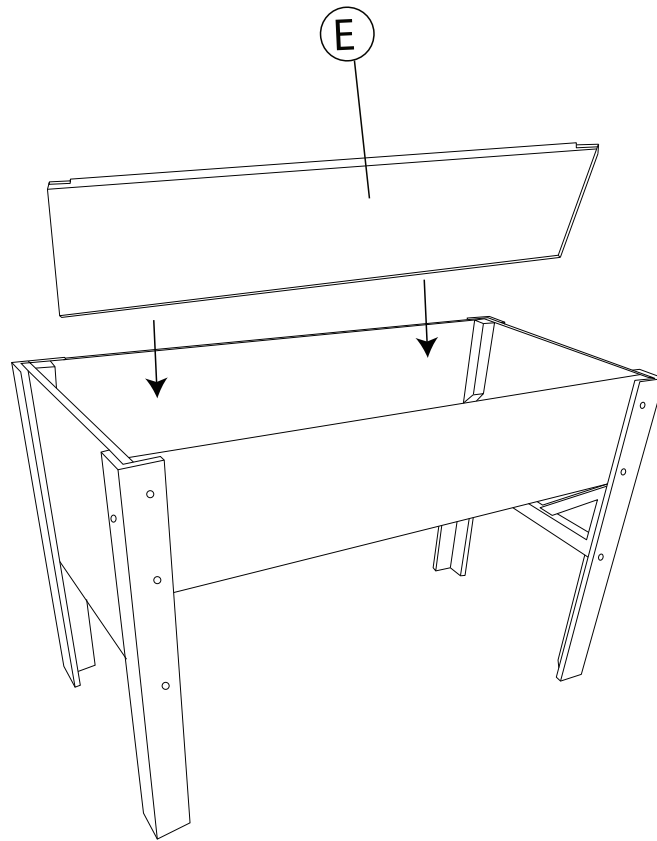


① x 4



M6\*40

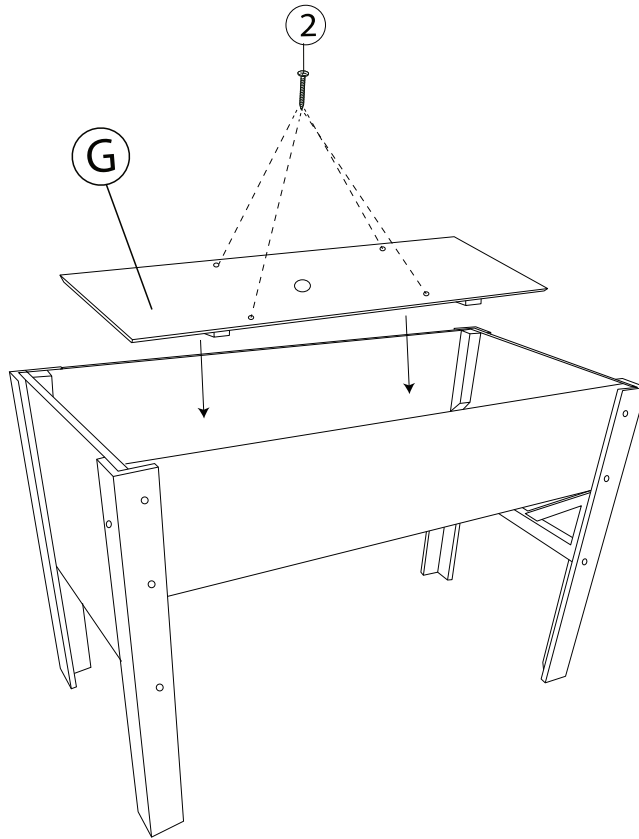




② x 4



M4\*25



③ x 3



M2.5\*12

