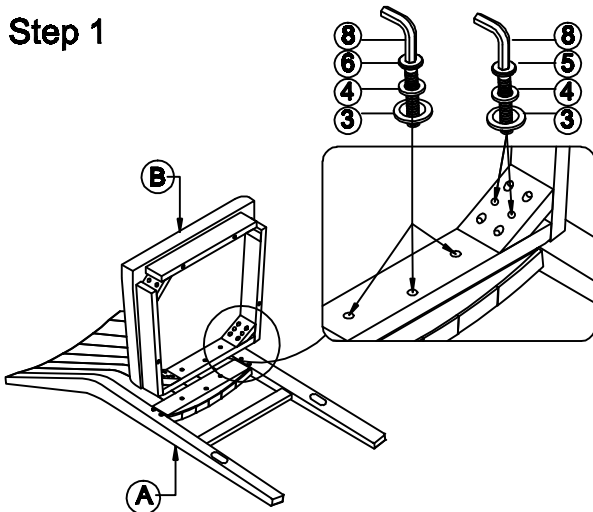


# COUNTER CHAIR ASSEMBLY INSTRUCTIONS

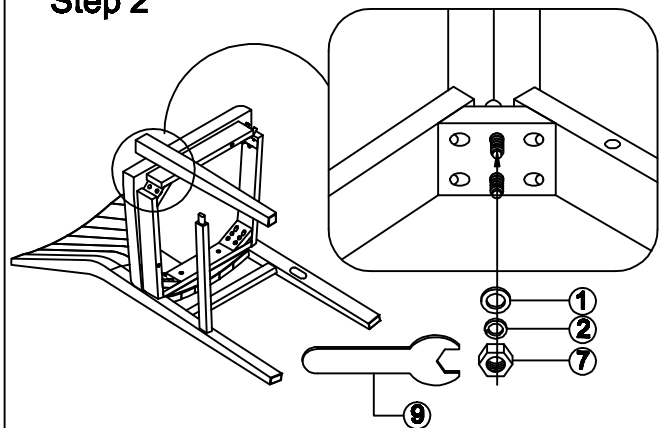
Thank you for purchasing this quality product. Be sure to check all packing materials carefully for small parts which may have come loose inside the carton during shipment. Identify and count all parts and compare with the parts list below.

**\*\*Assemble the product on a flat ,soft surface such as a carpet or cloth to prevent scratching the finish .Read all instruction and study the drawings carefully before starting the assembly process.**

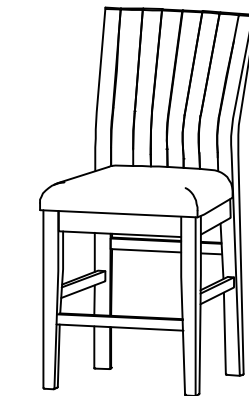
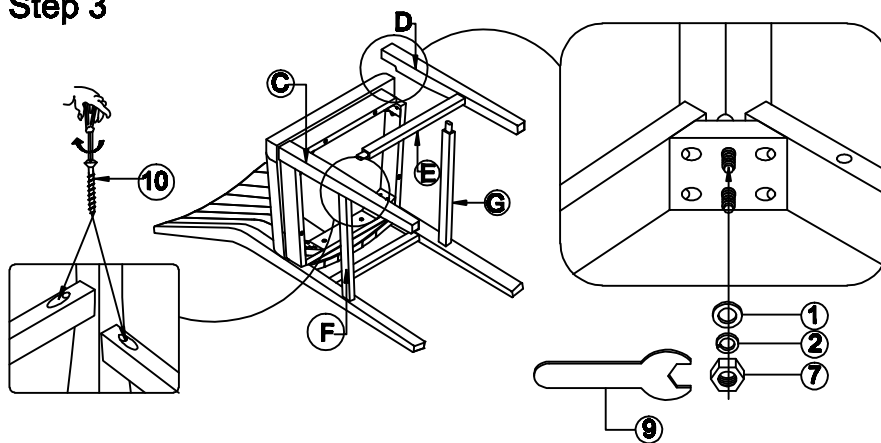
## Step 1



## Step 2



## Step 3



Assembly Completed

NO.	COMPONENT LIST		Q'TY	NO.	HARDWARE LIST	SIZE	Q'TY
A		CHAIR BACK	1	1		Ø <sup>5</sup> / <sub>16</sub> " x Ø19mm	04
B		CUSHION SEAT	1	2		Ø <sup>5</sup> / <sub>16</sub> " x Ø13mm	04
C		FRONT RIGHT LEG	1	3		Ø <sup>1</sup> / <sub>4</sub> " x Ø16mm	07
D		FRONT LEFT LEG	1	4		Ø <sup>1</sup> / <sub>4</sub> " x Ø10mm	07
E		FRONT STRETCHER	1	5		Ø1/4" x 70mm	04
F		SIDE LEFT STRETCHER	1	6		Ø1/4" x 40mm	03
G		SIDE RIGHT STRETCHER	1	7		Ø <sup>5</sup> / <sub>16</sub> " x 6mm	04
				8		4mm	01
				9		13mm	01
				10		#8x45mm	06