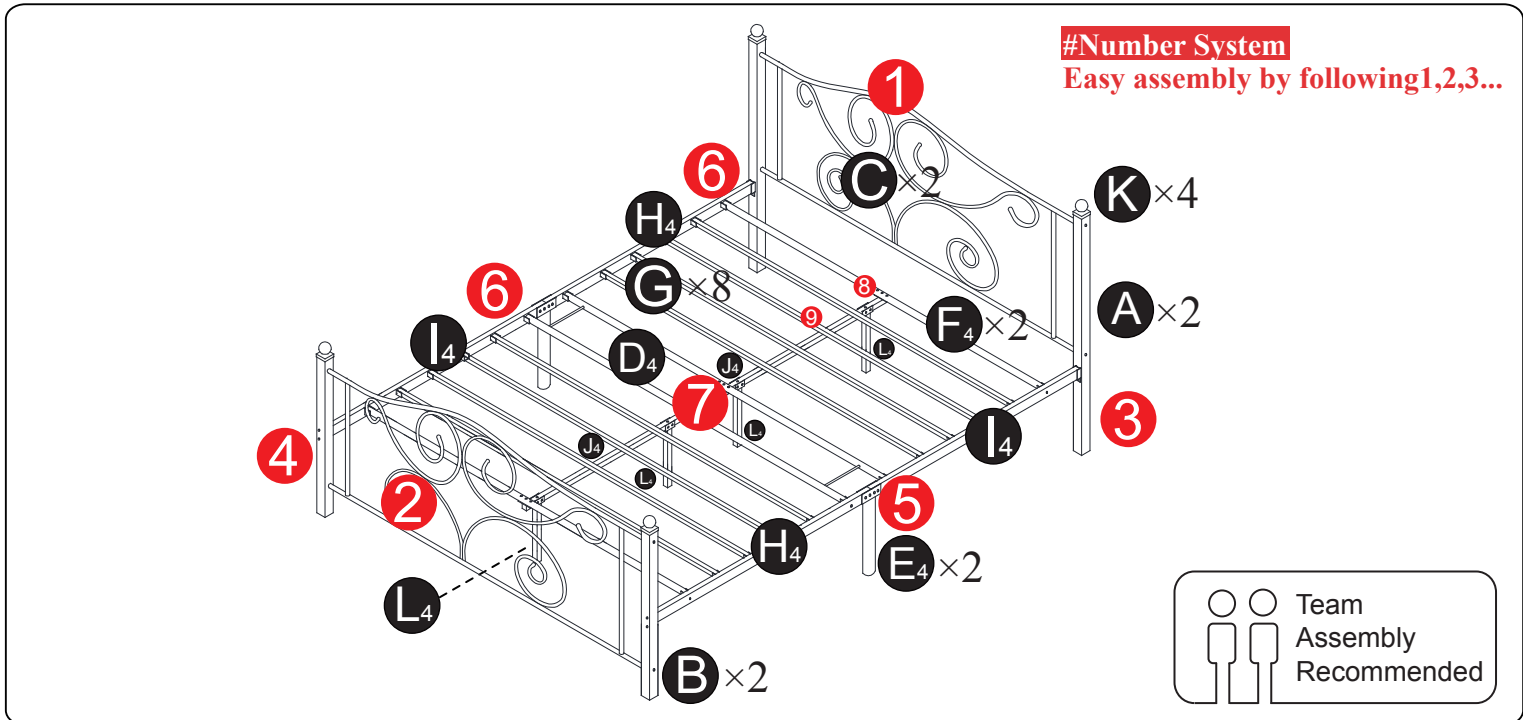
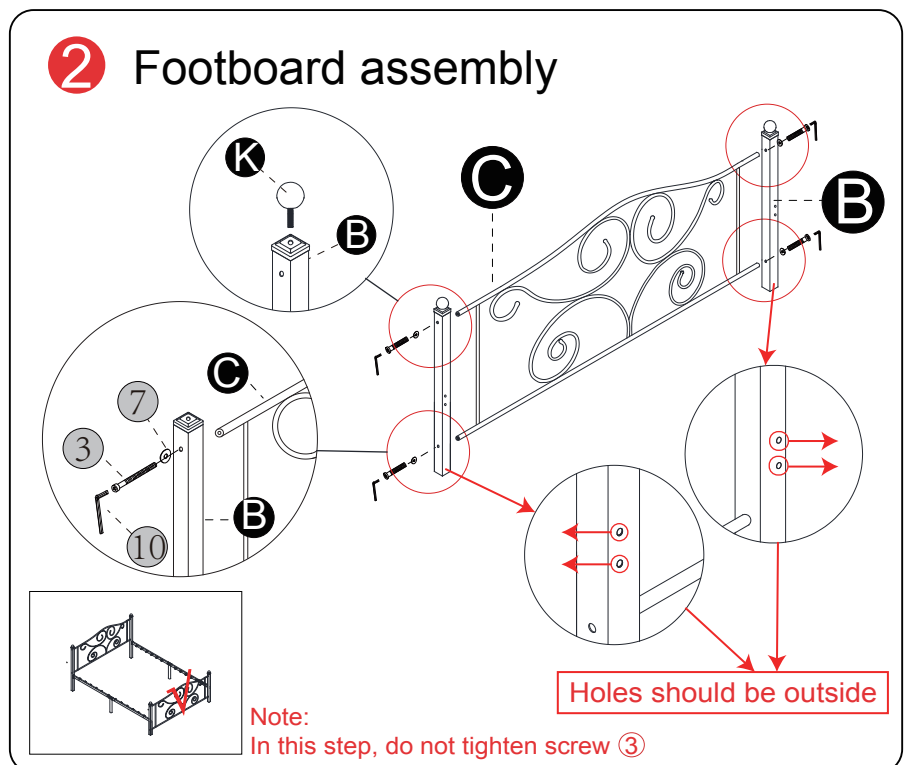
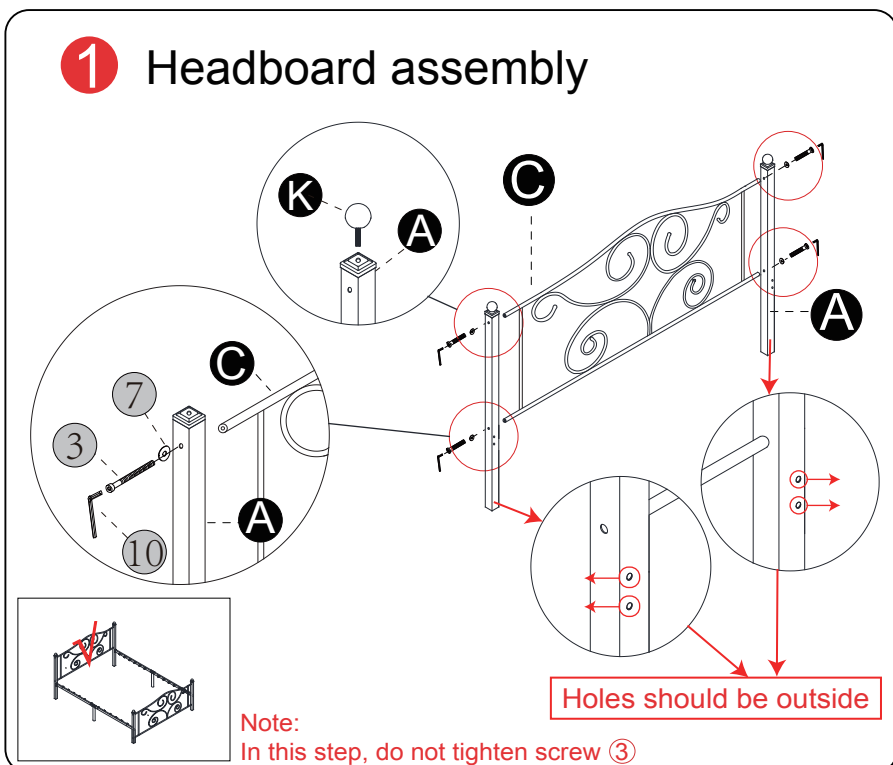


# Bed Frame Installation Manual

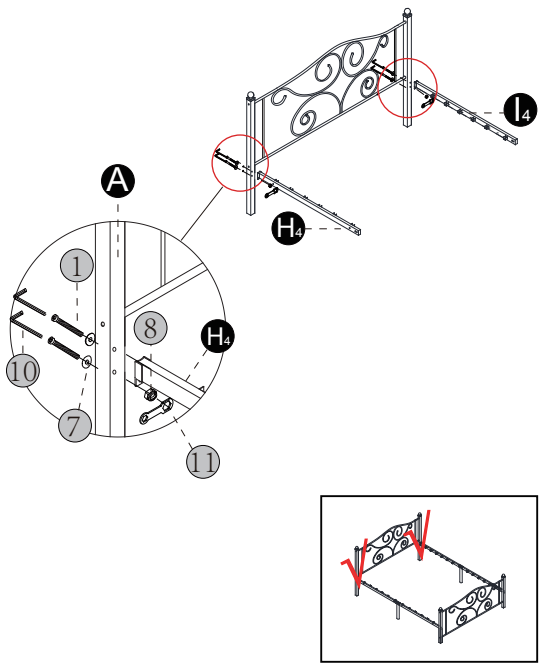


Componets		Screws & Tools	
	A x2	①	M8x50mm x8
	B x2	②	M8x35mm x8
	C x2	③	M6x60mm x8
	D x1	④	M6x40mm x20
	E x2	⑤	M6x30mm x12
	F x2	⑥	M6x15mm x4
	G x8	⑦	x16
	H x2	⑧	M8 x12
	I x2	⑨	M6 x16
	J x2	⑩	M5 x1
	K x4	⑪	M13/M10 x1
	L x4		

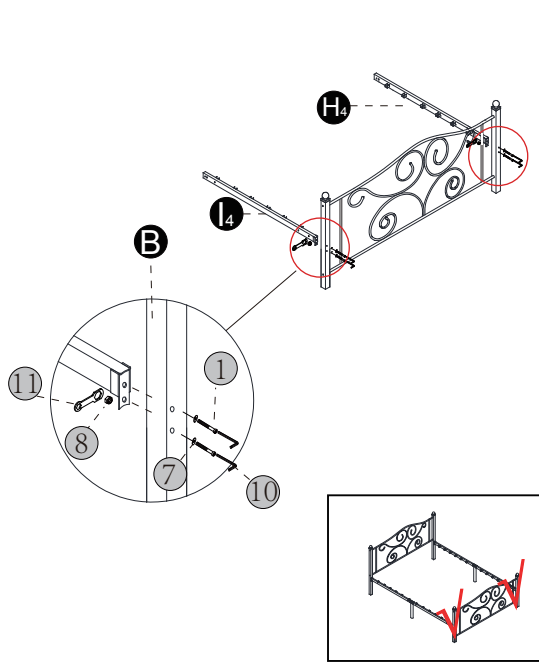
Check all the components & screws before assembly.



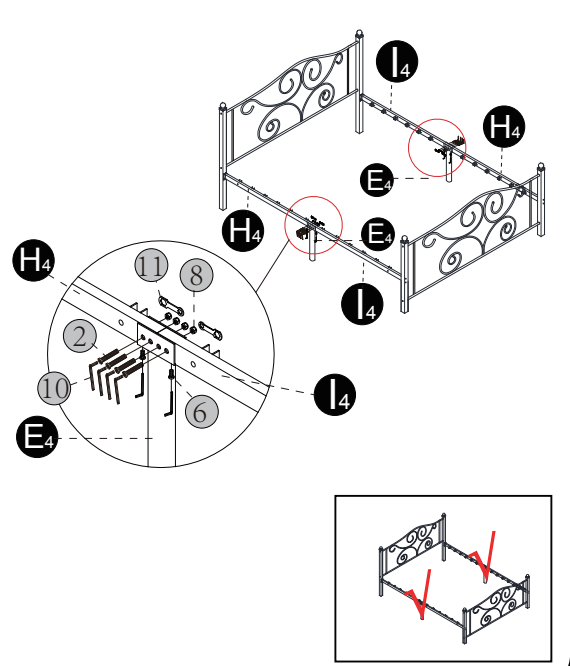
**3** Connect **H<sub>4</sub>** & **L<sub>4</sub>** to headboard



**4** Connect **H<sub>4</sub>** & **L<sub>4</sub>** to footboard

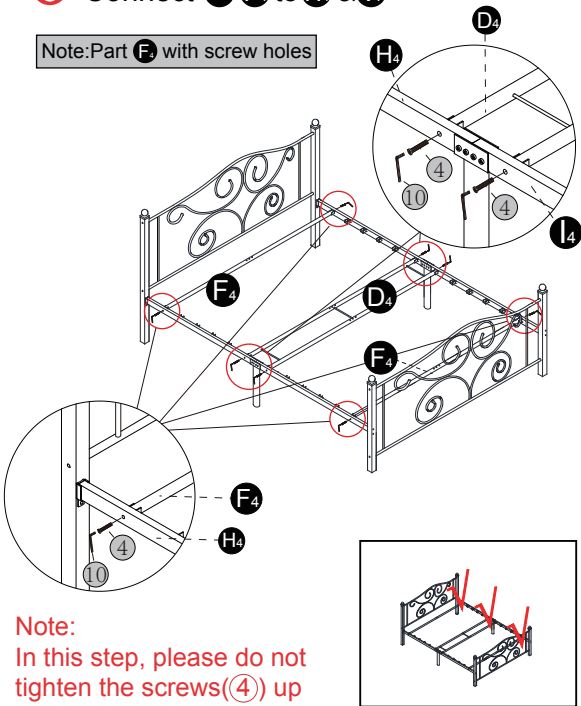


**5** Connect **E<sub>4</sub>** to **H<sub>4</sub>** & **L<sub>4</sub>**

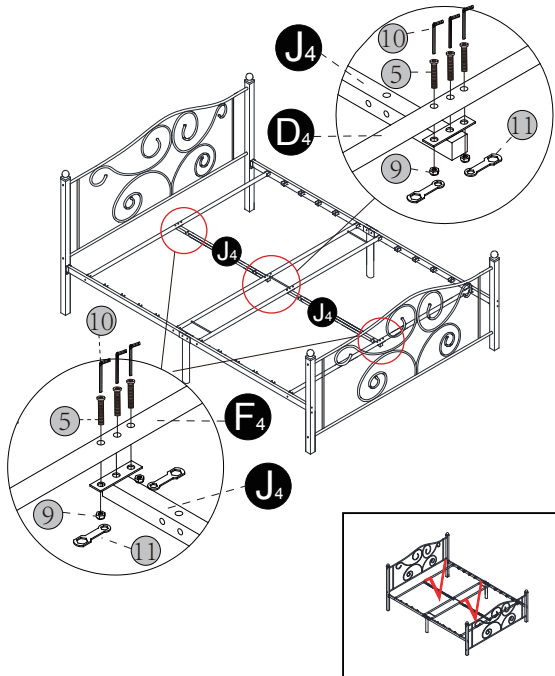


**6** Connect **D<sub>4</sub>** & **F<sub>4</sub>** to **H<sub>4</sub>** & **L<sub>4</sub>**

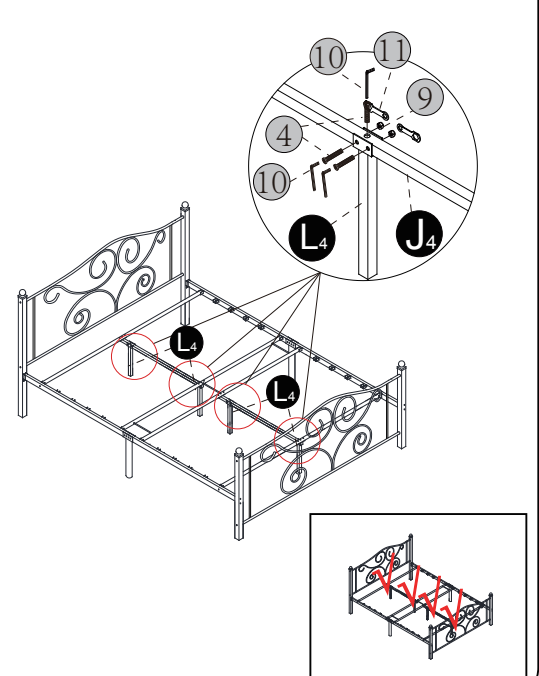
Note: Part **F<sub>4</sub>** with screw holes



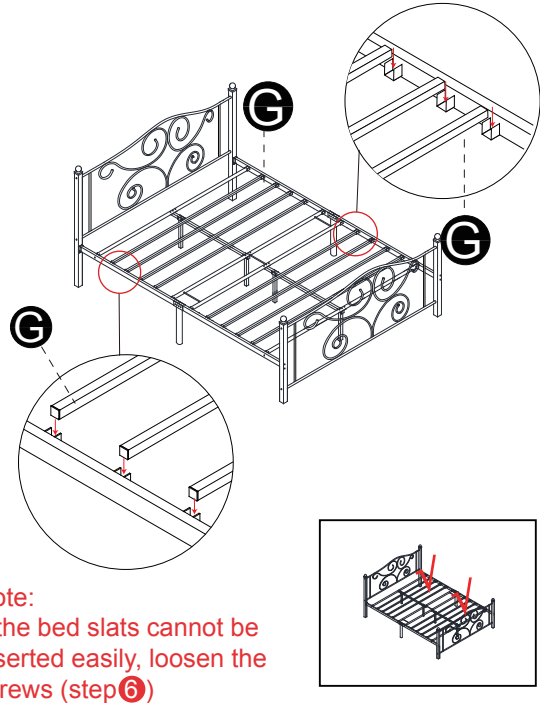
**7** Connect **J<sub>4</sub>** to **D<sub>4</sub>** & **F<sub>4</sub>**



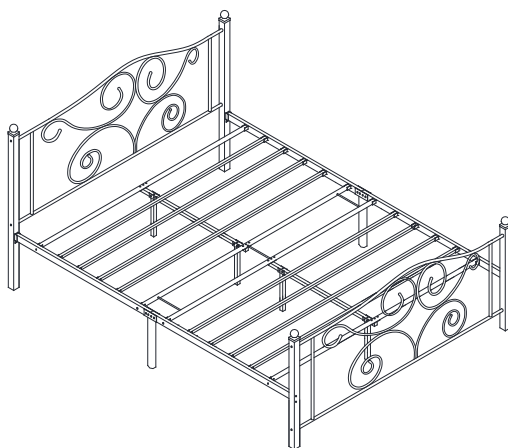
**8** Connect **L<sub>4</sub>** to **J<sub>4</sub>**



**9** Assemble bed slats



**10** Check and tighten all screws



**CAUTIONS!**

