



Assembly Instructions

CUSTOMER CARE



Congratulations
Happy shopping
Feel free to share with your friends or family
Thank you for your 5-star feedback and positive
reviews to help others
Good advice leads to the best service



We apologize for the bad shopping experience
Any defects, broken, missing pieces, delays or
accidents Please contact us as soon as possible

CONTENT:

- › Profile
- › Part list
- › Hardware List
- › Assembly Instruction
- › Product Parameters
- › User Manual
- › Fault Detection and Handling



NOTICE:

- › Basic precautions should always be followed when using this product. Please read all instructions before using the cabinet and retain the education for future reference.
- › Failure to observe all instructions and warnings may cause severe property damage or personal injuries.
- › Check the product and hardware accessories in the box; and confirm whether the instructions are complete.
- › When installing, please pay attention to the protection of the parts. The soft material must be placed under the product, and please carefully handle it to avoid surface damage.
- › After the assembly is completed, please adjust the placement position according to the actual situation.
- › Keep children away from cabinets, accessories, and installation tools. They are at risk of injury to the child.
- › Two people are recommended for assembly.
- › The wall plugs supplied are for use on solid walls only. For cavity walls or plasterboard use specialist fixings that are suitable for the type of wall construction.
- › To retain the best quality finish, clean product regularly with a soft damp cloth.
- › The max load of the cabinet is 10kg when fitted to a solid wall and 5kg when fitted to a cavity wall.
- › Risk of electric shock. Connect this furnishing to a properly grounded circuit only. See Grounding instructions
If you need the electronic manual, please contact our customer service to get it. (email: official@mepplzian.com)



For reference only



Parts may vary.
(Optional)



Warning! Please take
special care.

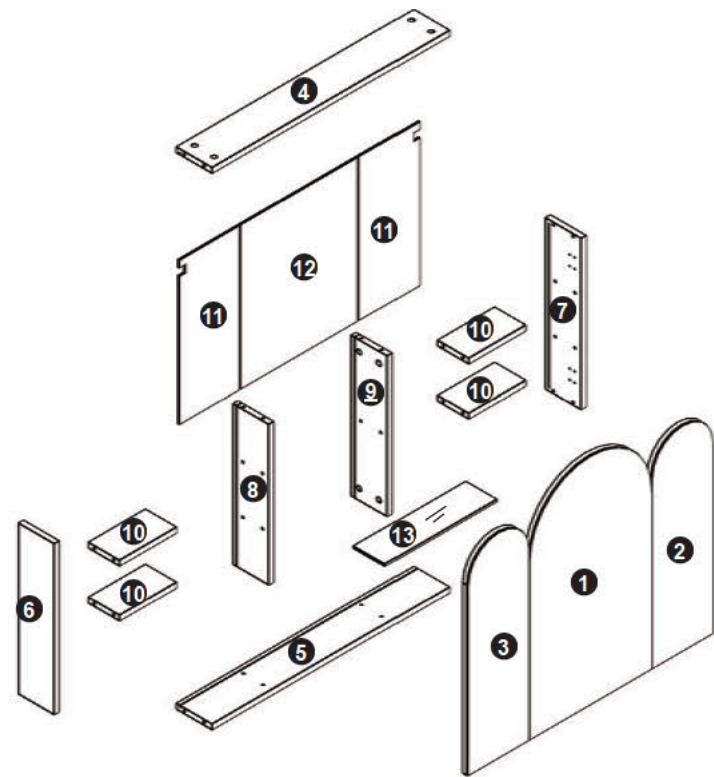
RETURN/DAMAGE CLAIM INSTRUCTIONS:

- › The product is shipped in a single carton box. If you haven't received the package or need to know the tracking of the package, get in touch with us immediately via Amazon message or contact us email: official@mepplzian.com.
- › If the package is damaged, please get in touch with us from the very beginning. Attaching a damaged photo is appreciated.
- › The product accepts returns within 30 days without any reason. If you return this item for personal reasons, you must cover the return fee and order processing fee (0- 20% restocking fee based on the invoice price). We will cover the freight if the product has quality issues (not caused by humans).
- › Please keep the original box if you need to return the goods. Please use our return label and do not return it without permission.
- › If you return the product after 30 days of receiving it, we are afraid your return application won't be accepted. We appreciate your understanding.
- › Any damages, defects and parts missings during installation, pls contact us from the very beginning. Replacement, exchange and refund will be arranged ASAP except of personal reasons. Customer Service: official@mepplzian.com.

Part List



Open the package, and put the item on the mat with care. Please install it carefully to ensure your fingers will not be scratched.



Hardware List

A



M6*40mm
x16 (+2)

B



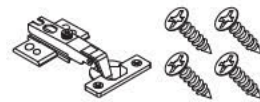
φ15*12mm
x16 (+2)

C



M3.5*12mm
x12 (+2)

E2



x6

D



M4*30mm
x4

F



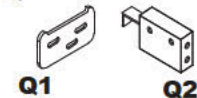
M5*50mm
x4

G



x4 (+2)

Q



x2

T



x16 (+2)

P



x16 (+2)

K



M8*40mm
x16 (+2)

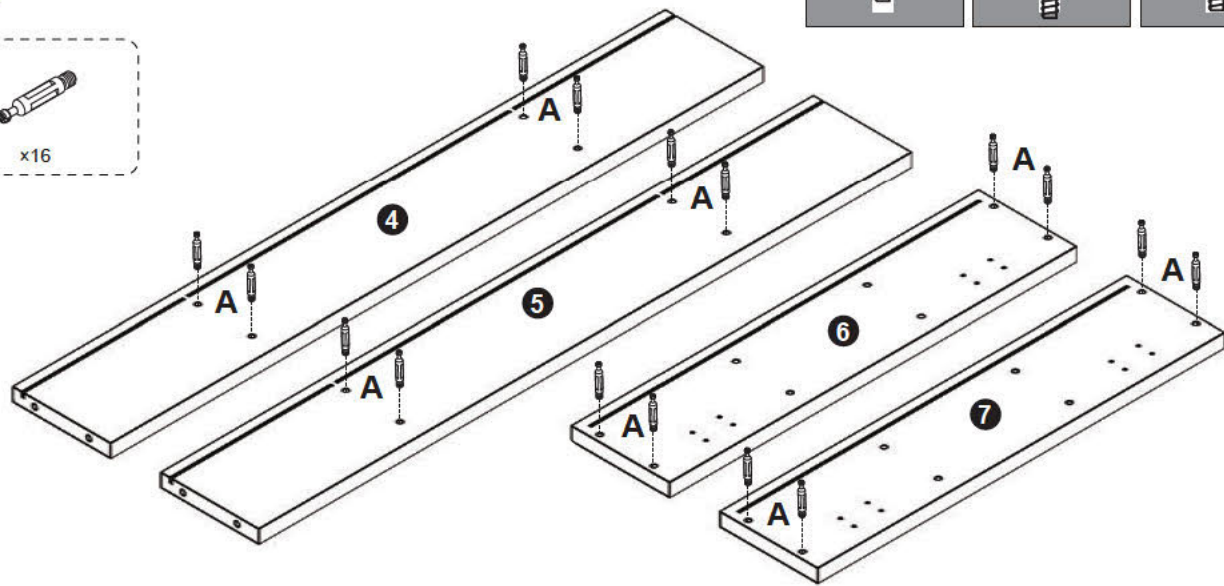
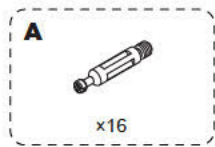
Extra white cam



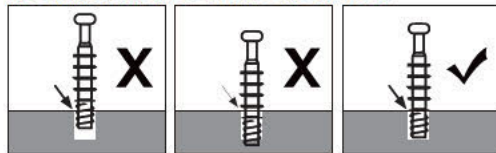
x2

Start...

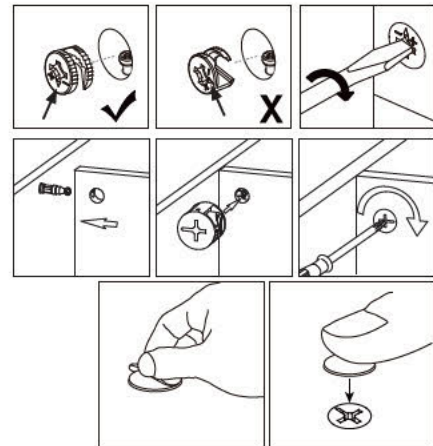
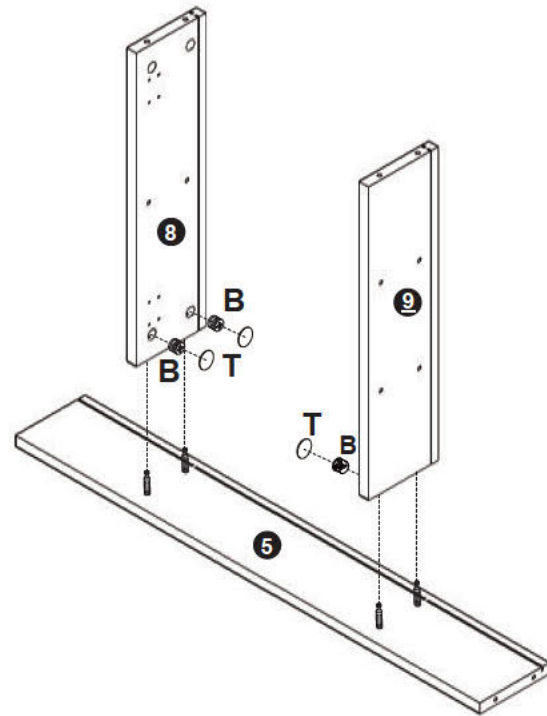
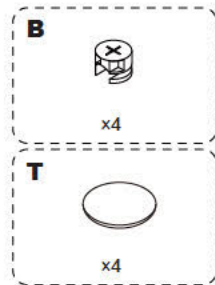
Step 1



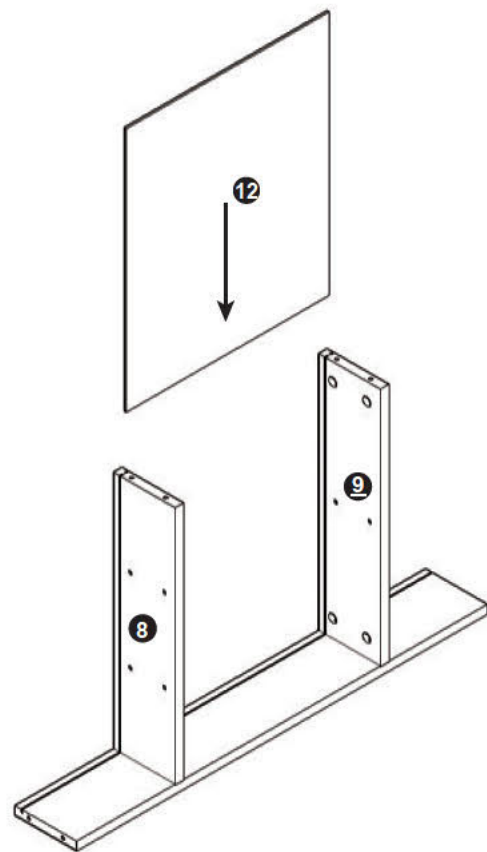
Installation method of three in one bolt



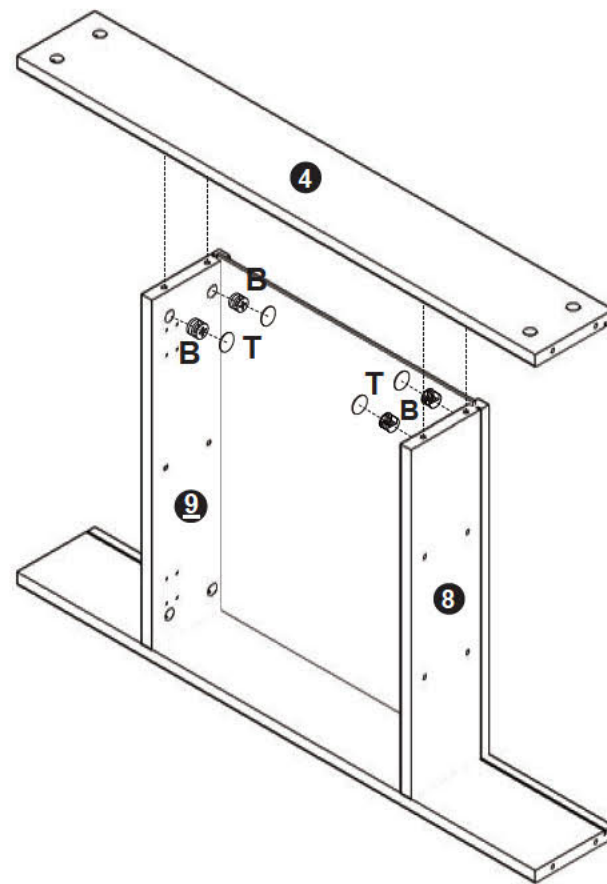
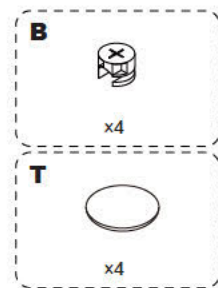
Step 2



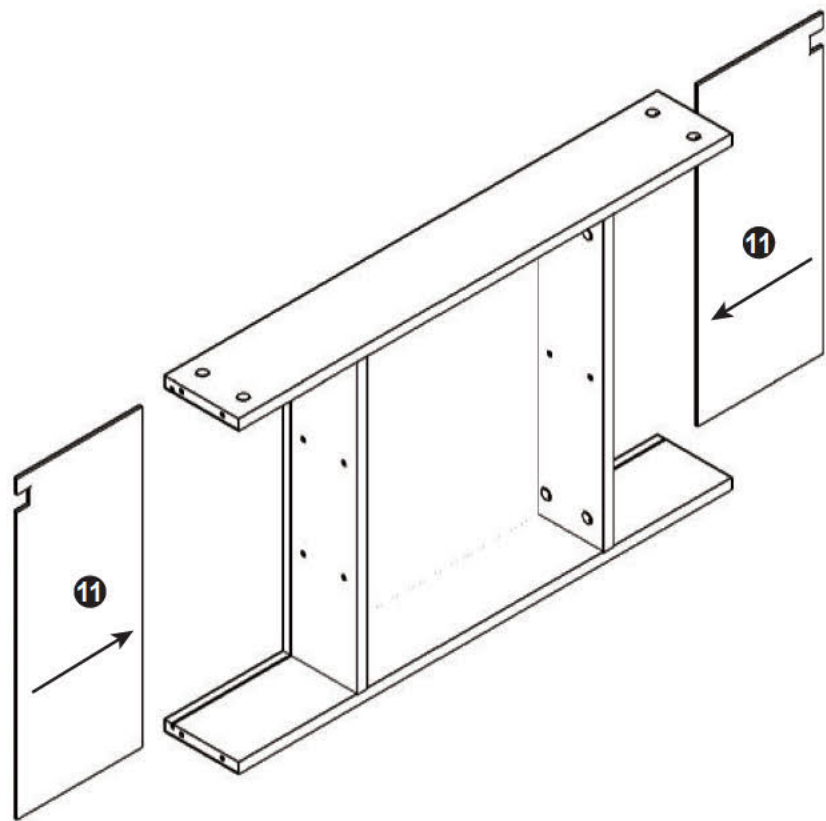
| Step3



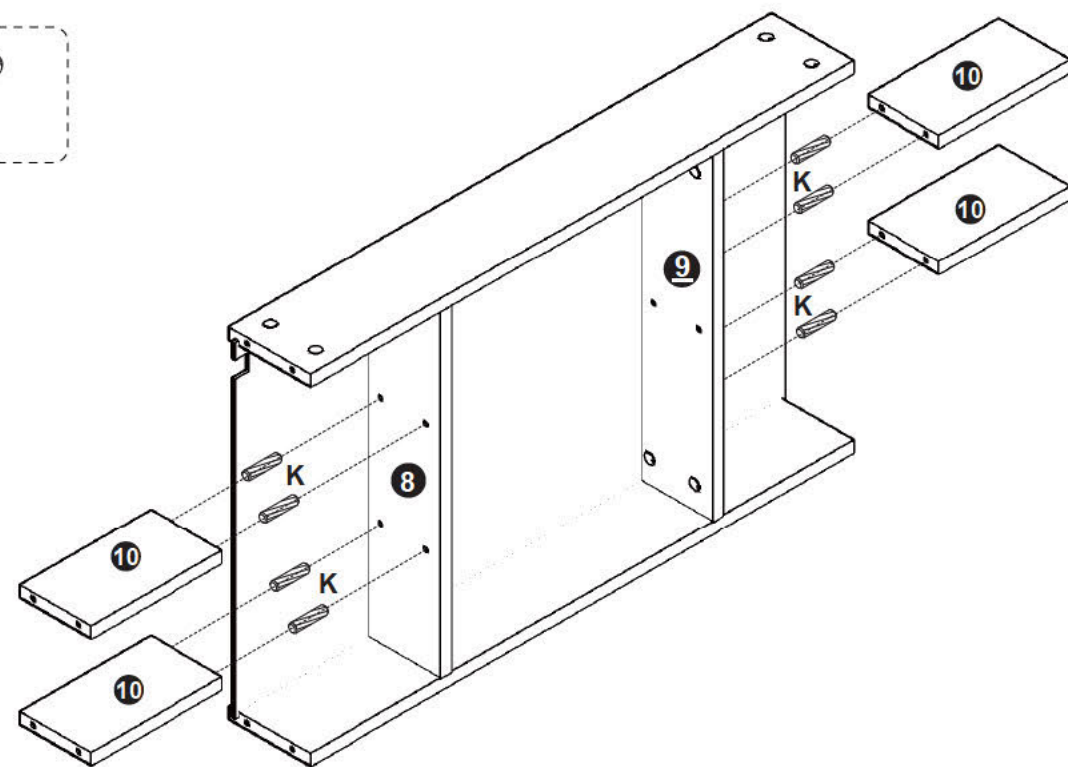
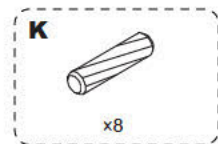
| Step4



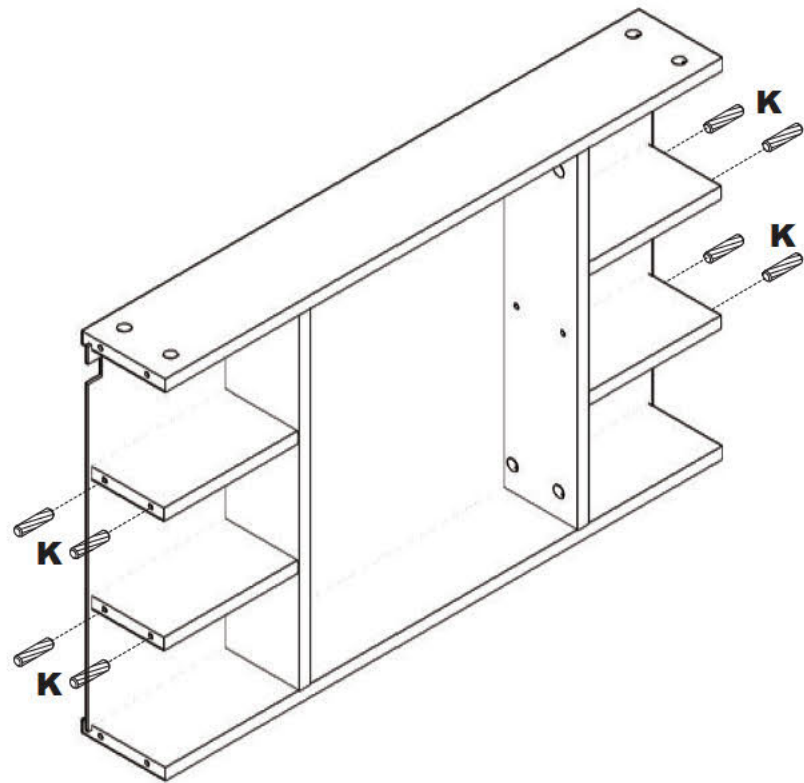
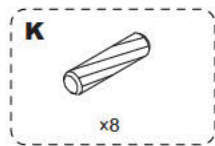
| Step5



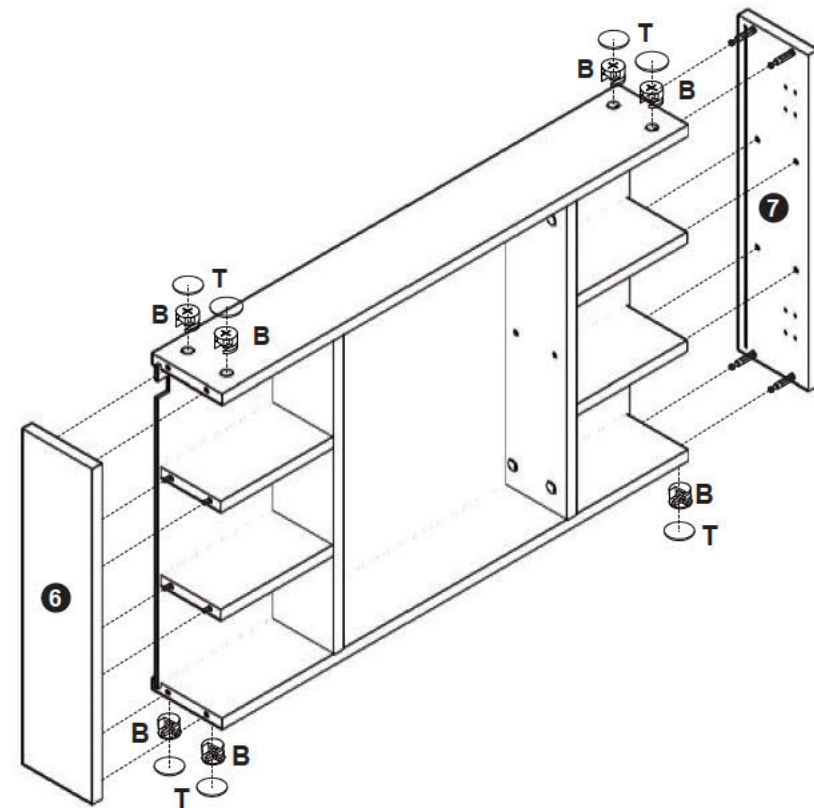
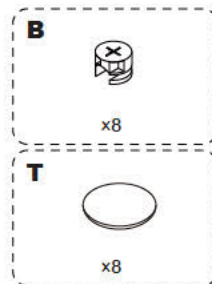
| Step6



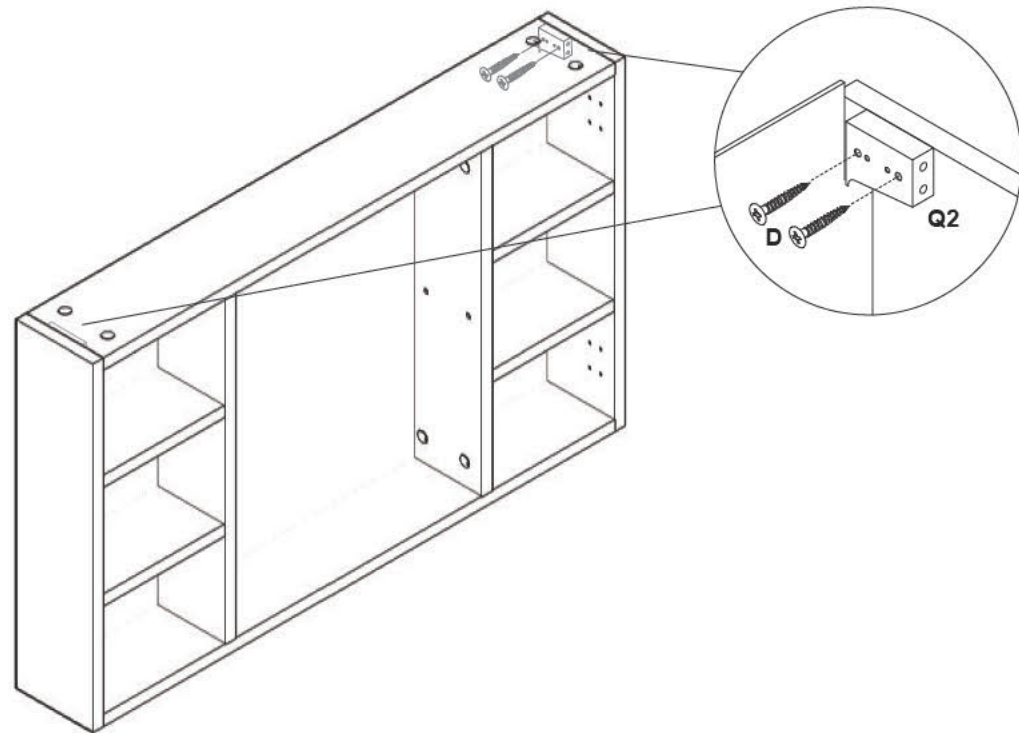
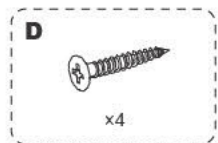
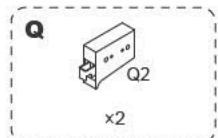
| Step7



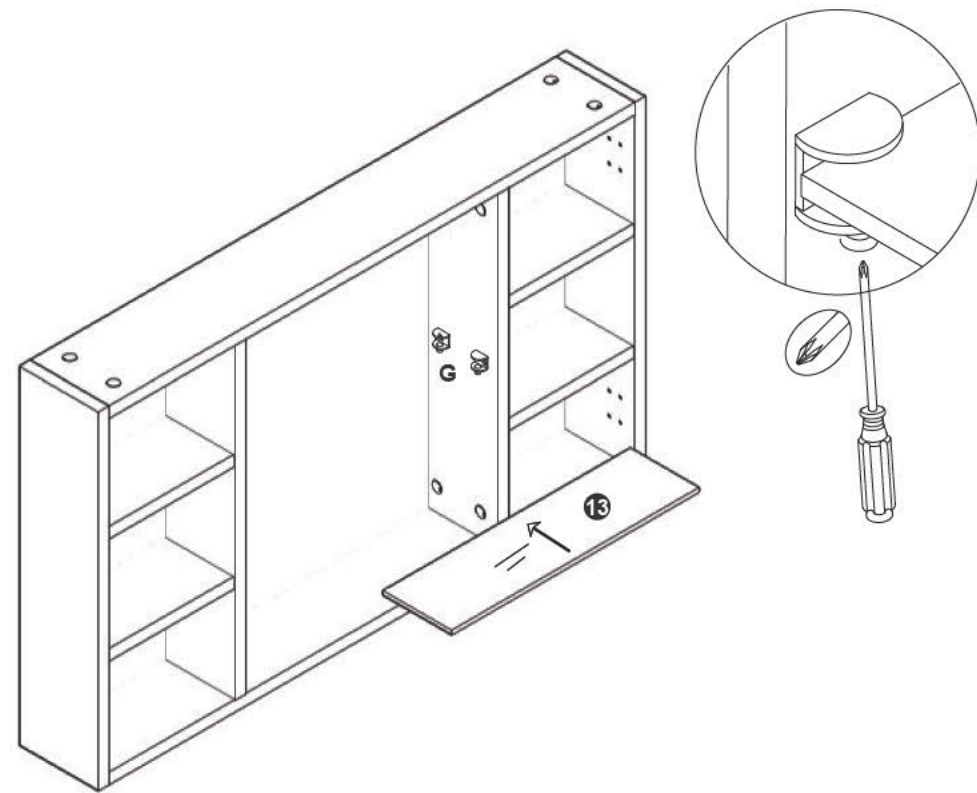
| Step8



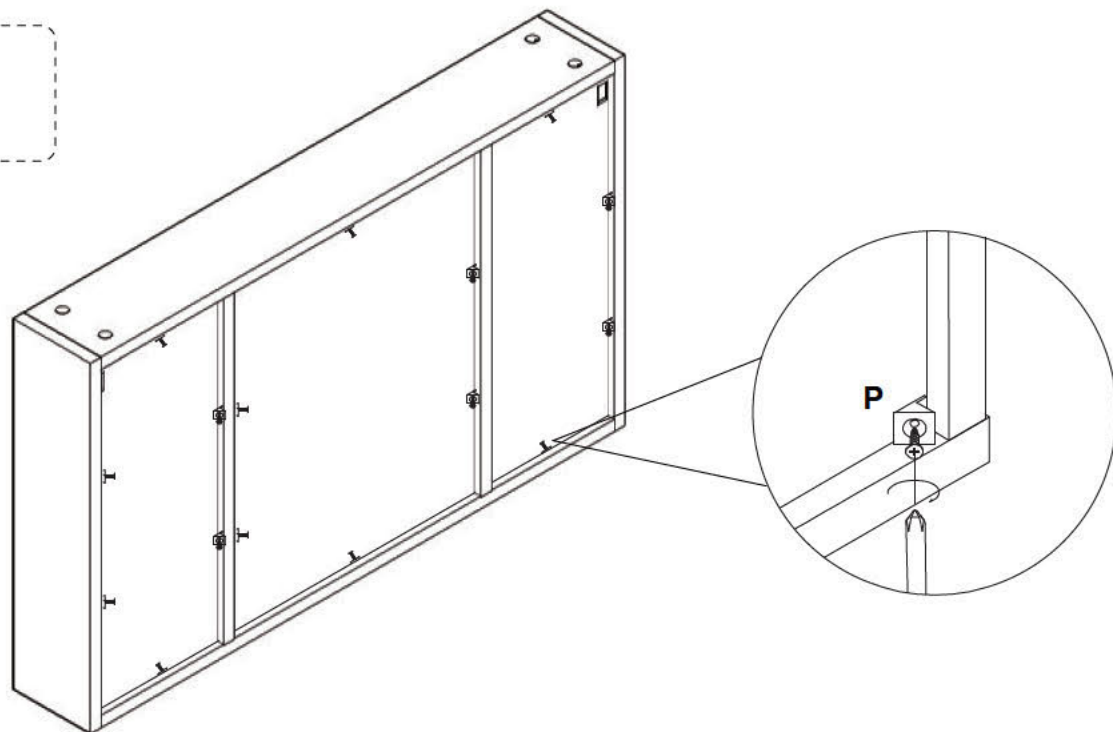
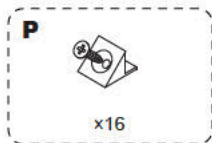
| Step9



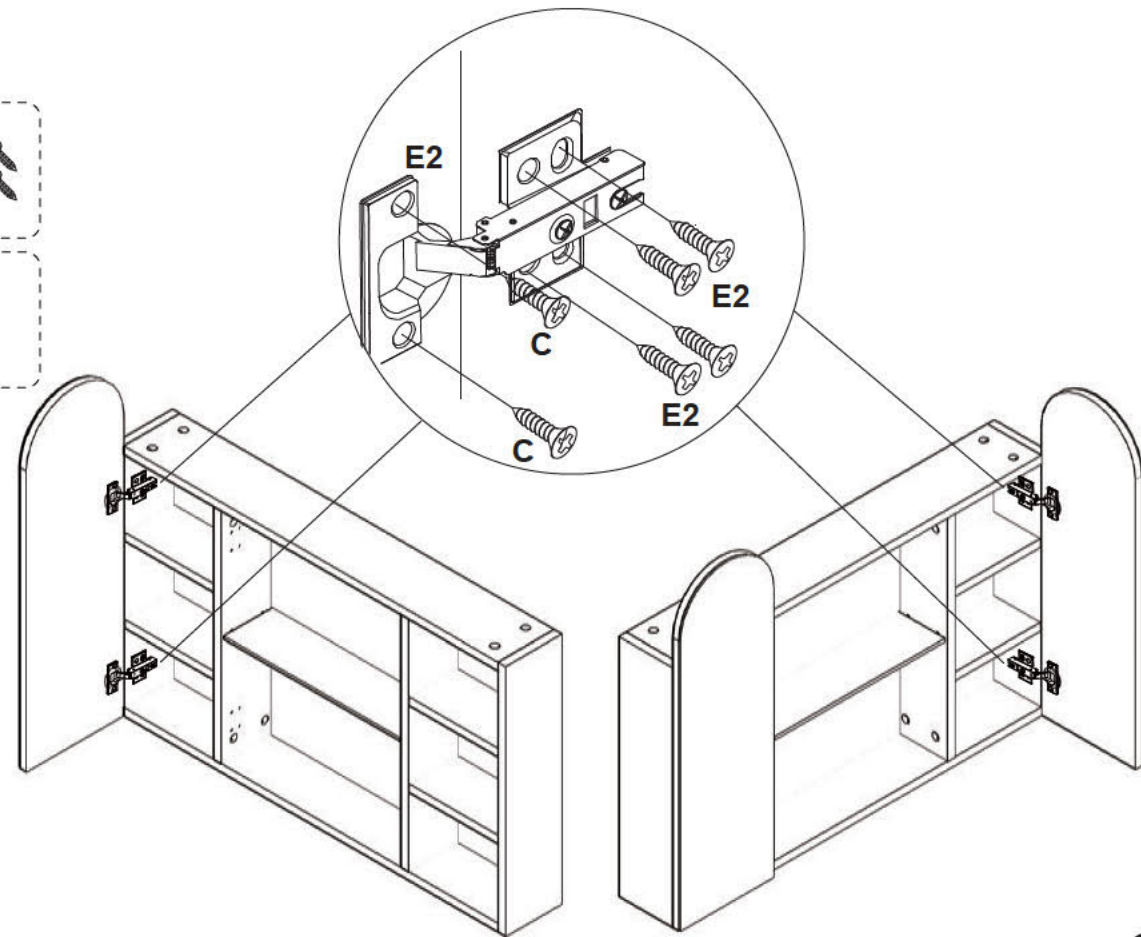
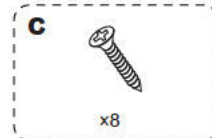
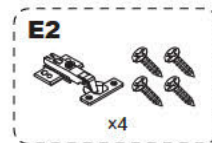
| Step10



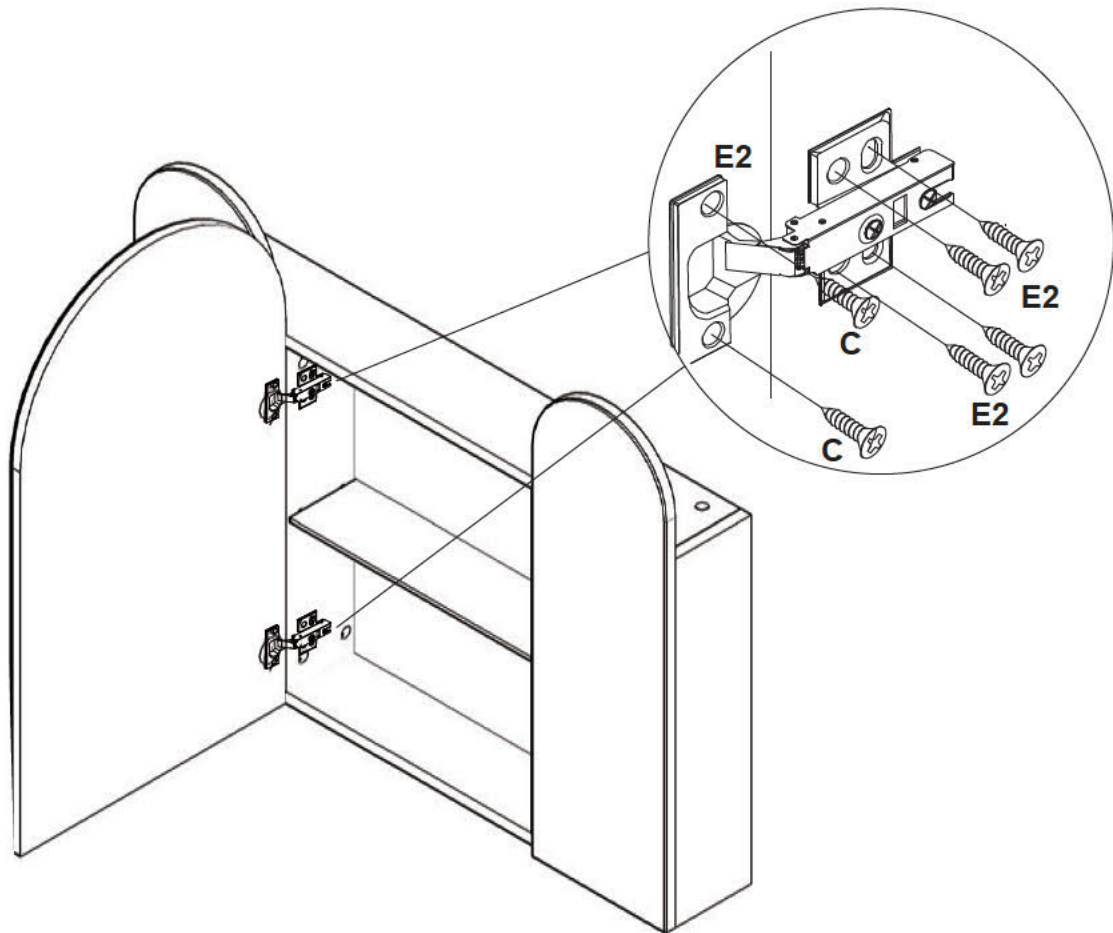
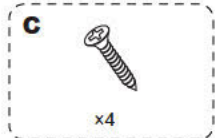
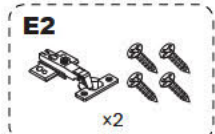
| Step11



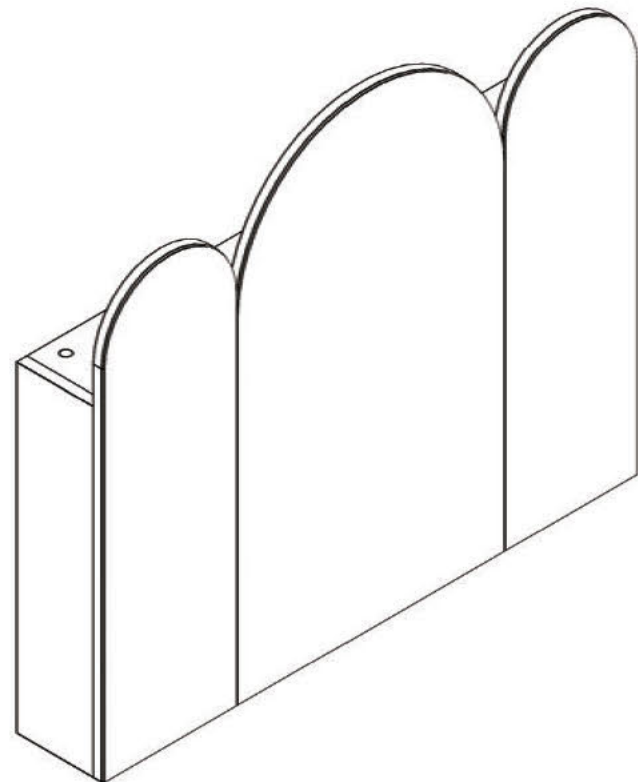
| Step12



I Step13



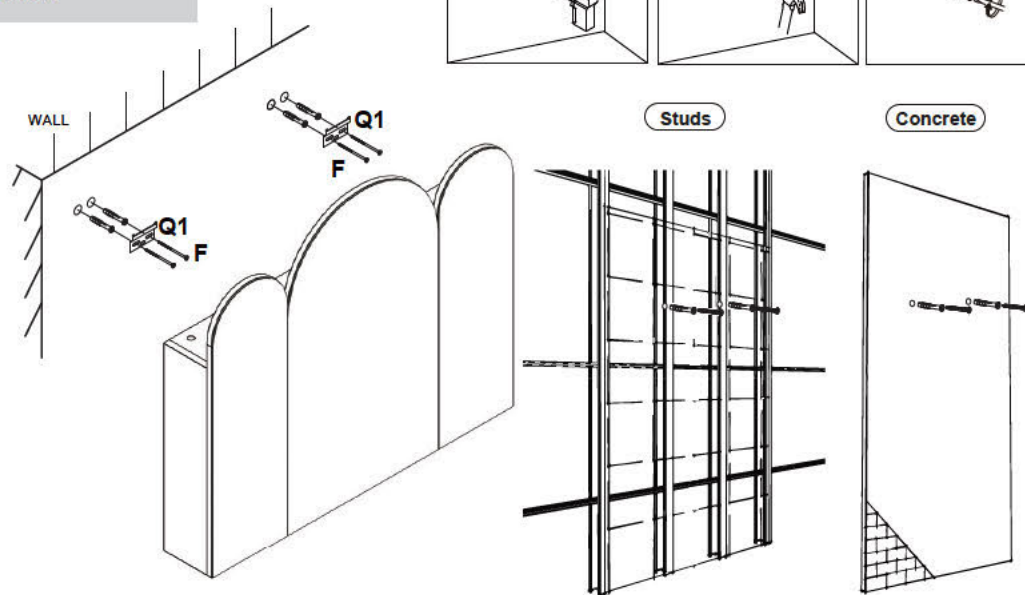
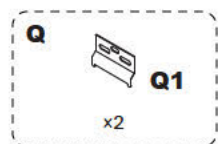
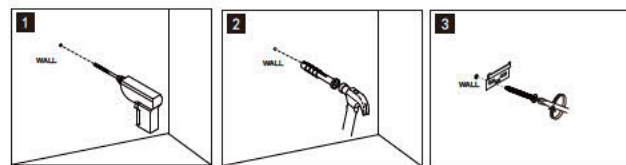
I Step14



I Step15-Optional for studs/concrete

Install the cabinet on studs/concrete with cabinet hanger **Q1** and extension screw **F** into predrill hole against the studs/concrete as shown.

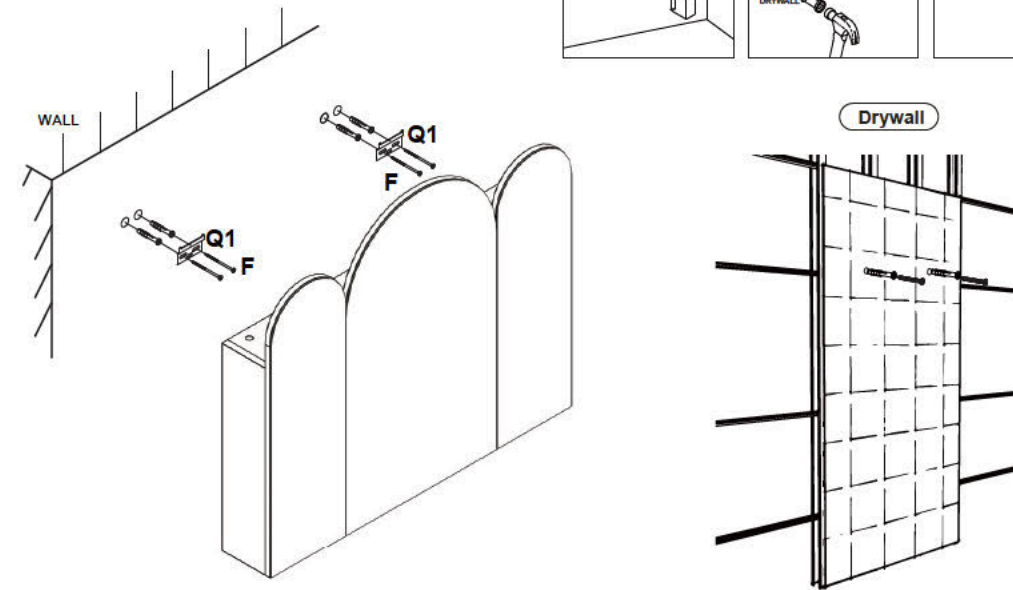
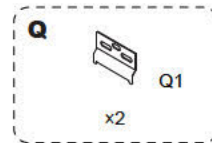
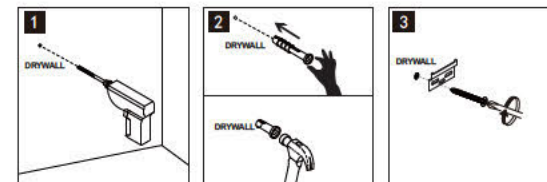
Attention: Optional install on concrete or studs anchors



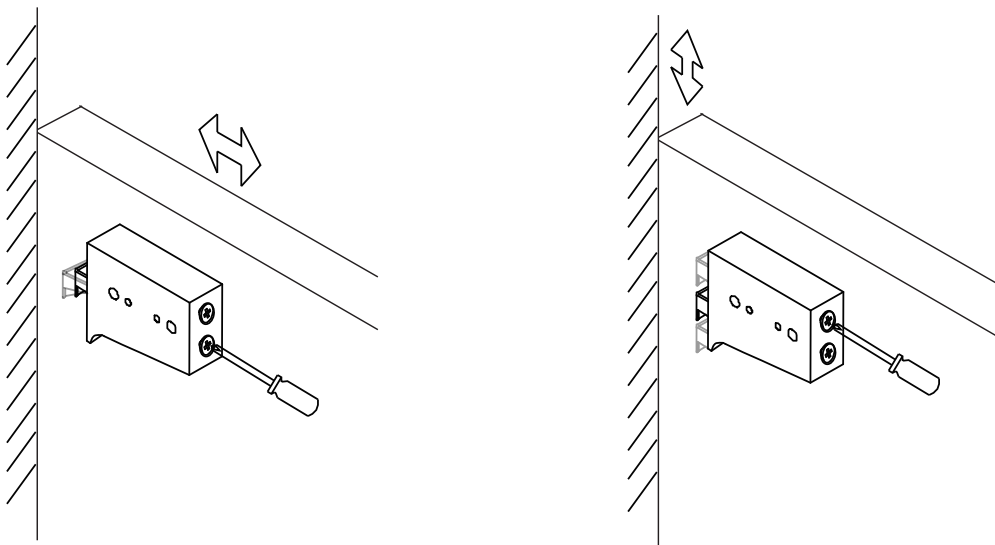
I Step16-Optional for drywall

Install the cabinet on drywall with cabinet hanger **Q1** and extension screw **F** into predrill hole against the drywall as shown.

Attention: Optional install on drywall (sheet wood)



⚠ If the cabinet does not fit the wall after the hanger is installed, adjust the two cross screws on the back of the hanger.



FAULT DETECTION AND HANDLING

Faults	Causes	Measures
Broken mirror	Bad package or violent transport	Get replacement or refund by contact us with damaged photos
Cracked/scratched boards	Bad packaging or violent transport	Get replacement or partial refund by contact us with damaged photos
Mirror cabinet does not fit the wall	Uneven wall, tilted angle	Adjust the 2 screws on the hanging code, the top screw adjusts the angle of tilt of the mirror cabinet. The bottom screw adjusts the fit between the mirror cabinet and the wall
Door and cabinet cannot be aligned	Incorrect hinge installation	Adjust the hinges, loosen the screws, then align the mirror cabinet door with the door frame and finally tighten all the screws

LIMITED WARRANTY

Mepplzian furniture team would like to improve customer service quality and make your experience smooth.

Return Policy:Mepplzian accepts returns within 30 days without any significant reason. After we receive the returned item, we will check it and make sure that it is not damaged, then we will process the refund. For more details, please check the above terms of RETURN DAMAGE CLAIM INSTRUCTIONS.

Any damages, defects and parts missings during installation, pls contact us from the very beginning. Replacement, exchange and refund will be arranged ASAP except of personal reasons.

The exceptions or exclusions to this warranty are as follows:

1. Mepplzian does not accept claims outside of a limited period.
2. This warranty does not include the products purchased by mistake.
3. Any damages, broken, missing parts, Mepplzian will repair or replace them without charging you any cost within a reasonable period. We reserve the right to require damaged parts to be returned to us upon our request.