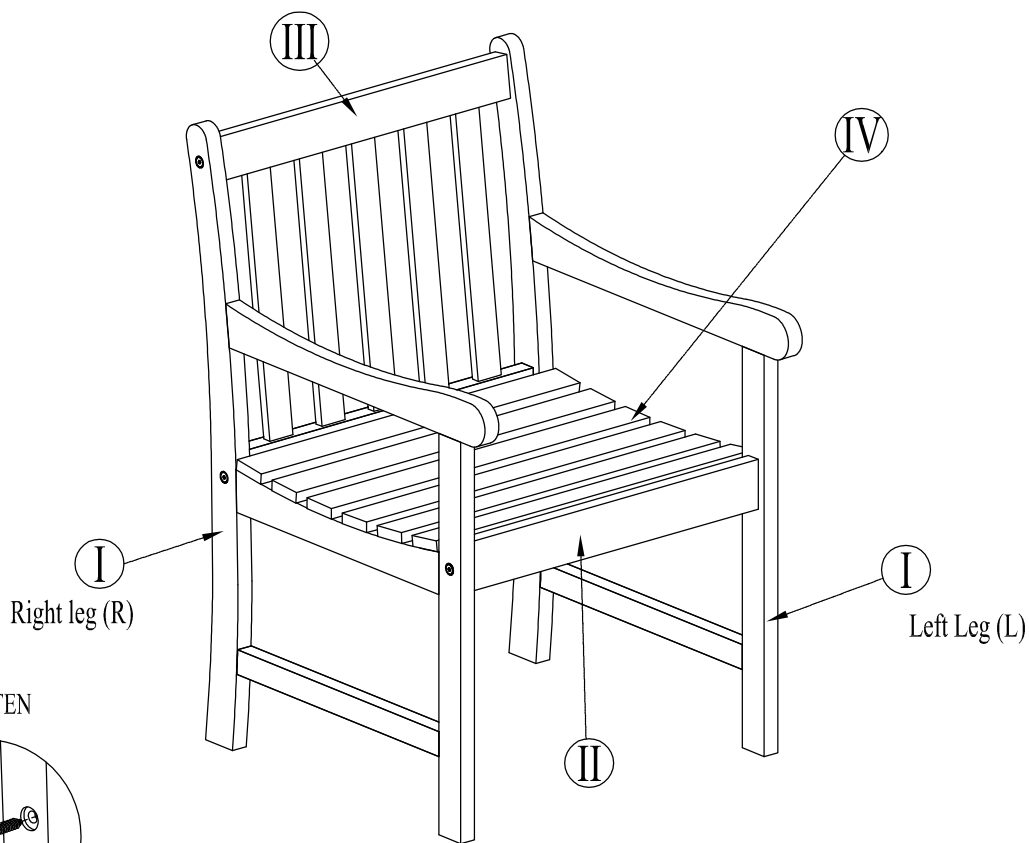


Maximum capacity : 110 kgs/242 Lbs



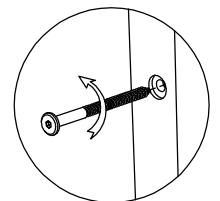
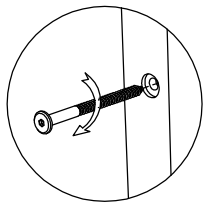


Right leg (R)

Left Leg (L)

TIGHTEN

LOOSEN



NOTE: 50% TIGHTEN BEFORE FIXING ALL BOLTS & SCREWS

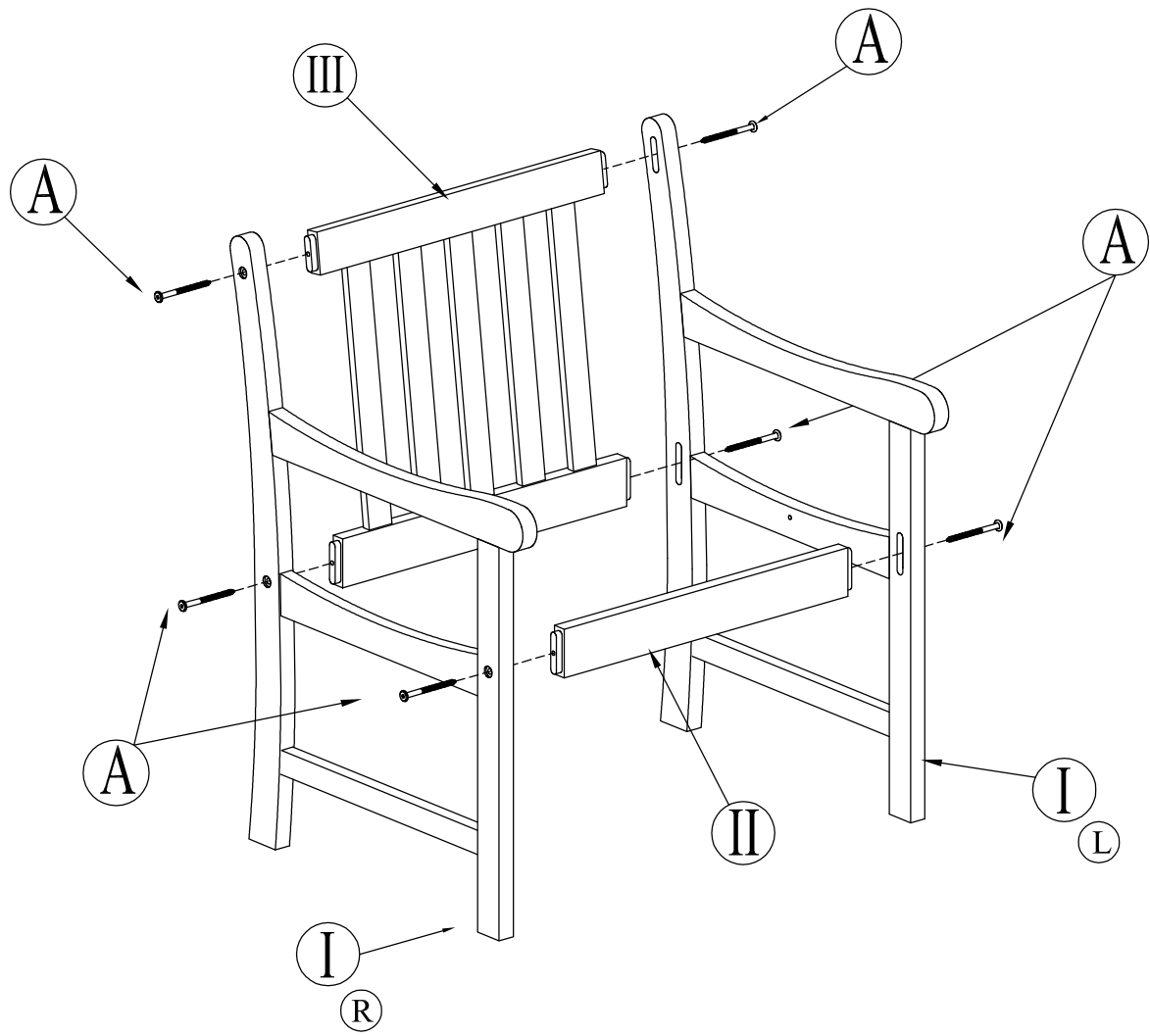
COMPONENTS LIST

<p>I</p> <p>Right leg (R) Left Leg (L)</p> <p>Q'TY 2</p>	<p>II</p> <p>Q'TY 1</p>	<p>IV</p> <p>Q'TY 1</p>
<p>III</p> <p>Q'TY 1</p>		

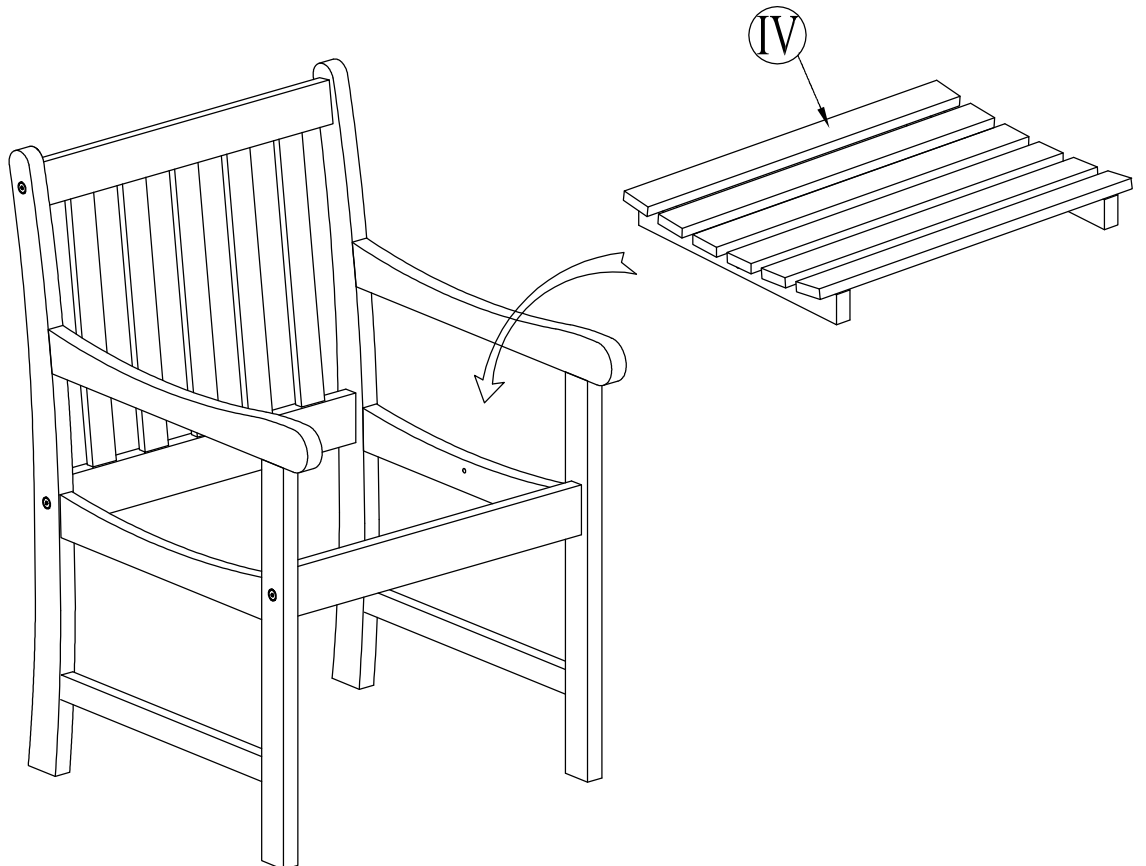
HARDWARE LIST

A		6	Screw 7 x 70				
B		2	Screw 7x40	C		2	Allen Key

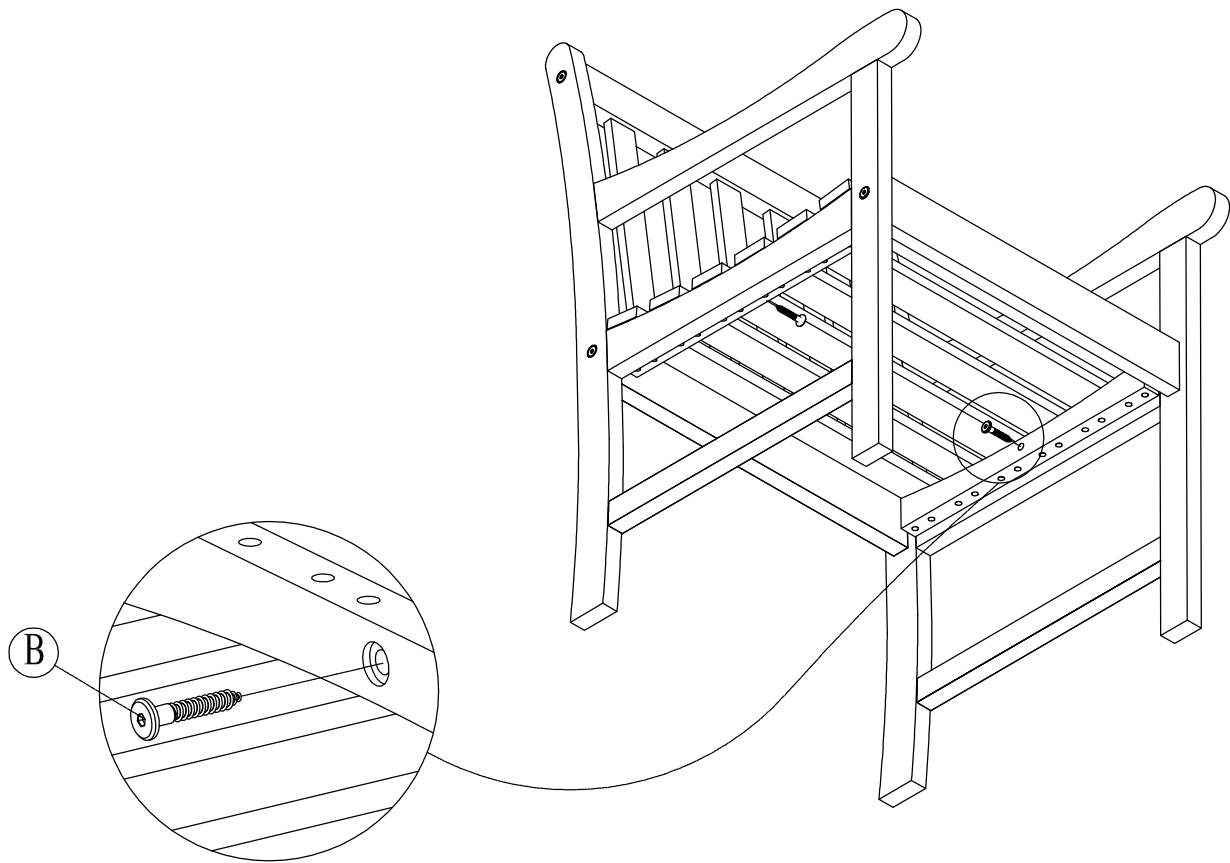
Step 1



Step 2



Step 3



Step 4

