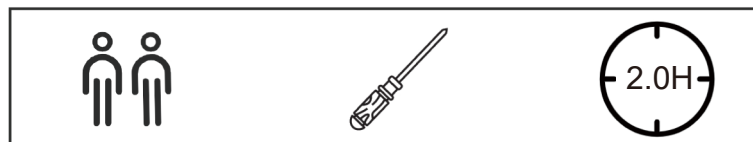
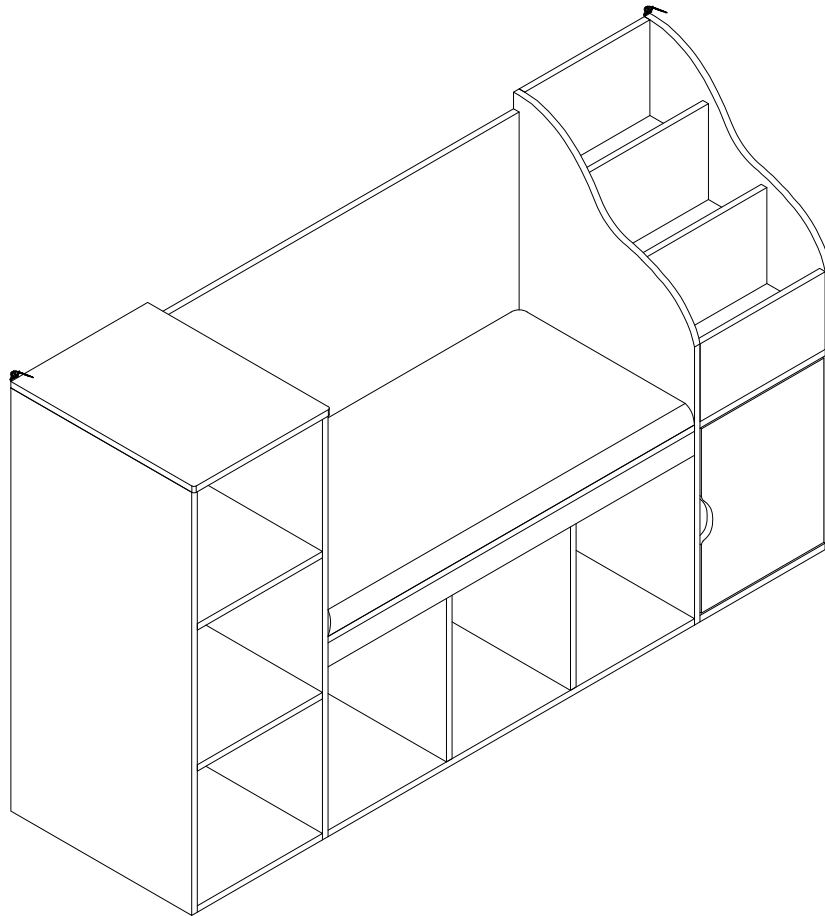


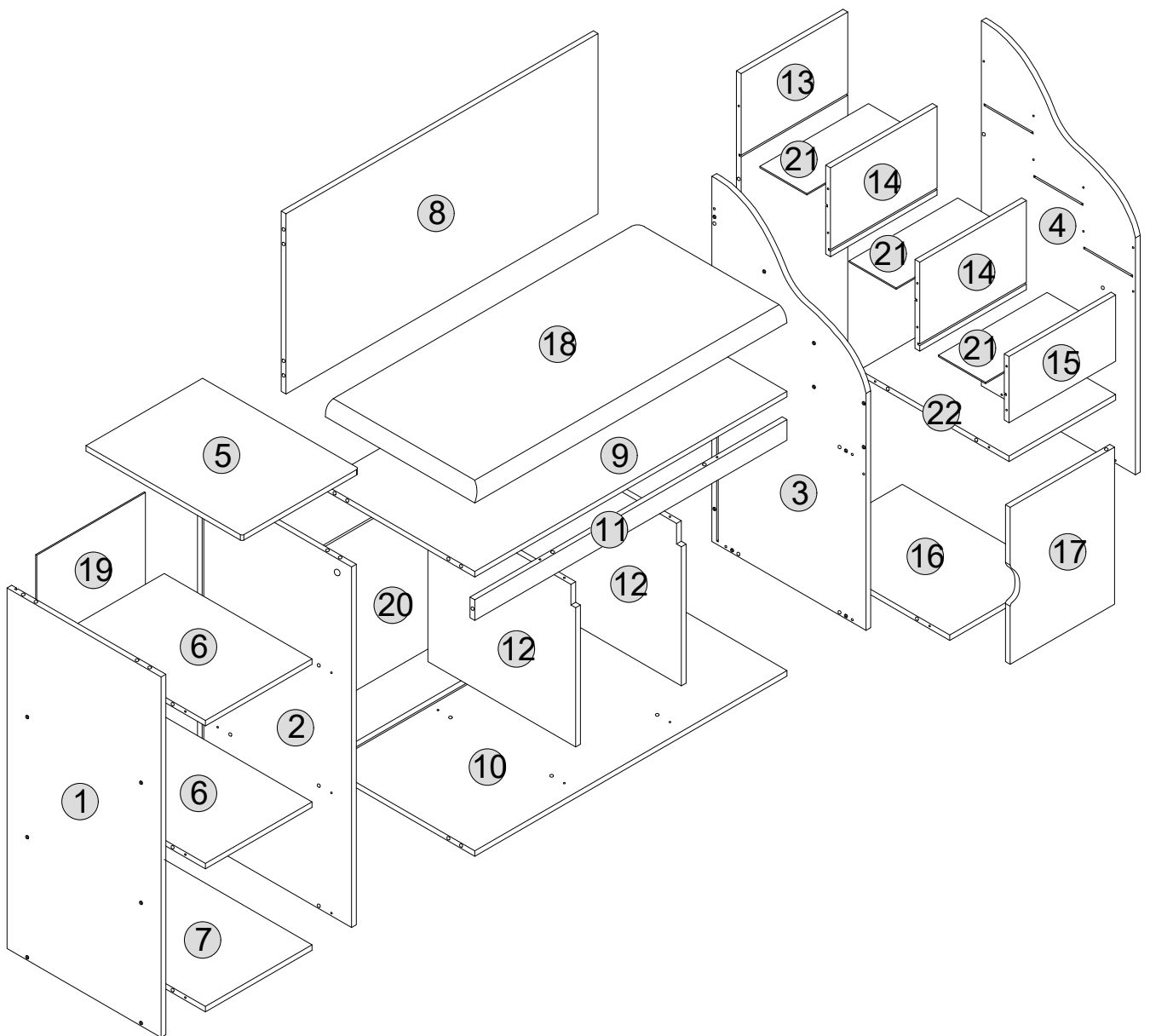
# Installation & Assembly

## Kids Bookshelf with Reading Nook

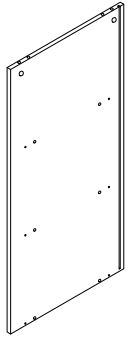
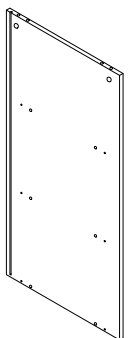
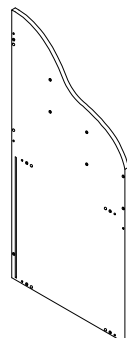
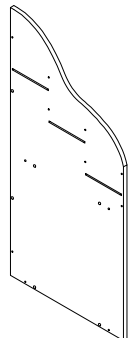
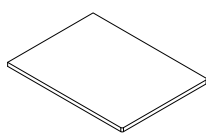
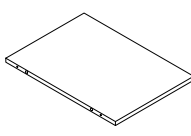
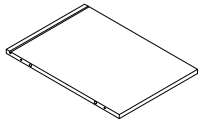
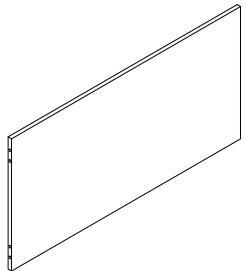
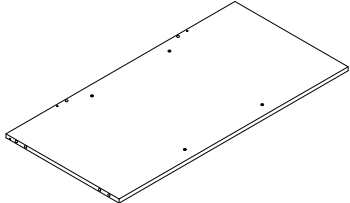
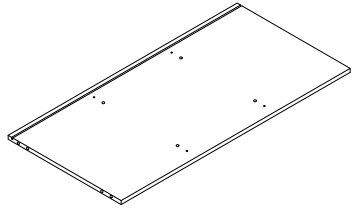
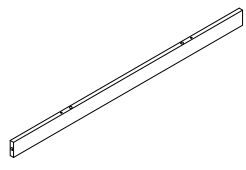
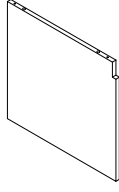


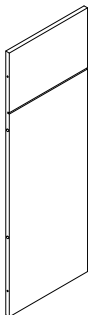
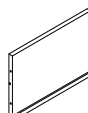
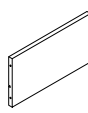
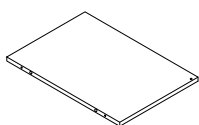
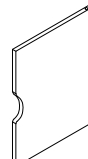
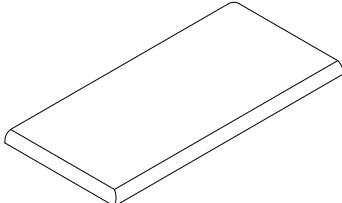

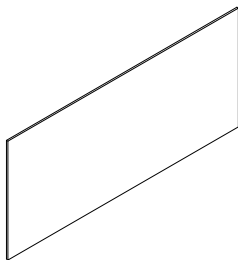
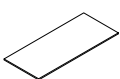
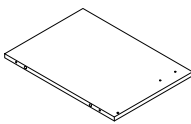
**CAUTION:** When tightening the screws, tighten sequentially. Do not tighten any screws fully and then towards the next one. When every part is OK, then tighten all the screws.

# EXPLODED DRAWING:



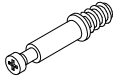
# Part List

<p>①</p>  <p>1PC</p>	<p>②</p>  <p>1PC</p>	<p>③</p>  <p>1PC</p>
<p>④</p>  <p>1PC</p>	<p>⑤</p>  <p>1PC</p>	<p>⑥</p>  <p>2PCS</p>
<p>⑦</p>  <p>1PC</p>	<p>⑧</p>  <p>1PC</p>	<p>⑨</p>  <p>1PC</p>
<p>⑩</p>  <p>1PC</p>	<p>⑪</p>  <p>1PC</p>	<p>⑫</p>  <p>2PCS</p>

<p>⑬</p>  <p>1PC</p>	<p>⑭</p>  <p>2PCS</p>	<p>⑮</p>  <p>1PC</p>
<p>⑯</p>  <p>1PC</p>	<p>⑰</p>  <p>1PC</p>	<p>⑱</p>  <p>1PC</p>
<p>⑲</p>  <p>1PC</p>	<p>⑳</p>  <p>1PC</p>	<p>㉑</p>  <p>3PCS</p>
<p>㉒</p>  <p>1PC</p>		

# Accessory List

A×18



φ6×35mm

B×52



φ6×30mm

C×46



φ4×30mm

D×18



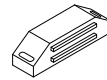
φ15×10mm

E×2



φ4×45mm

F×1



G×2



φ3×14mm

H×1



I×1

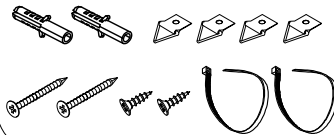


φ3×12mm

J×2



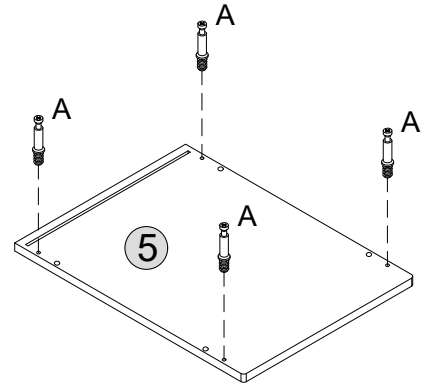
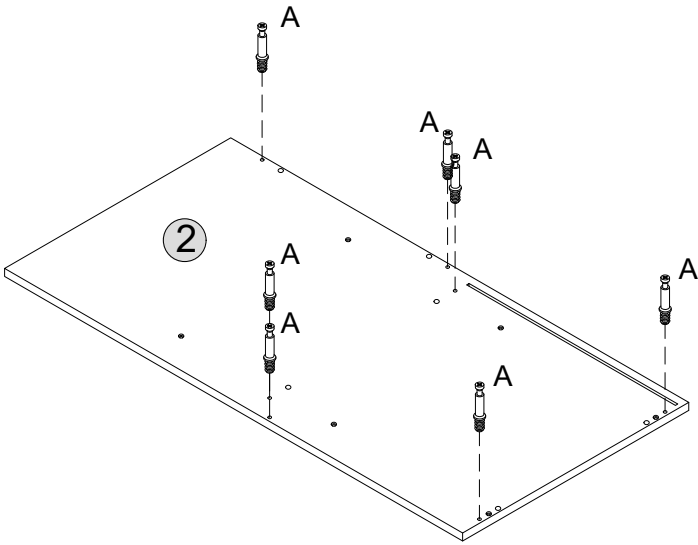
K×1




L×28

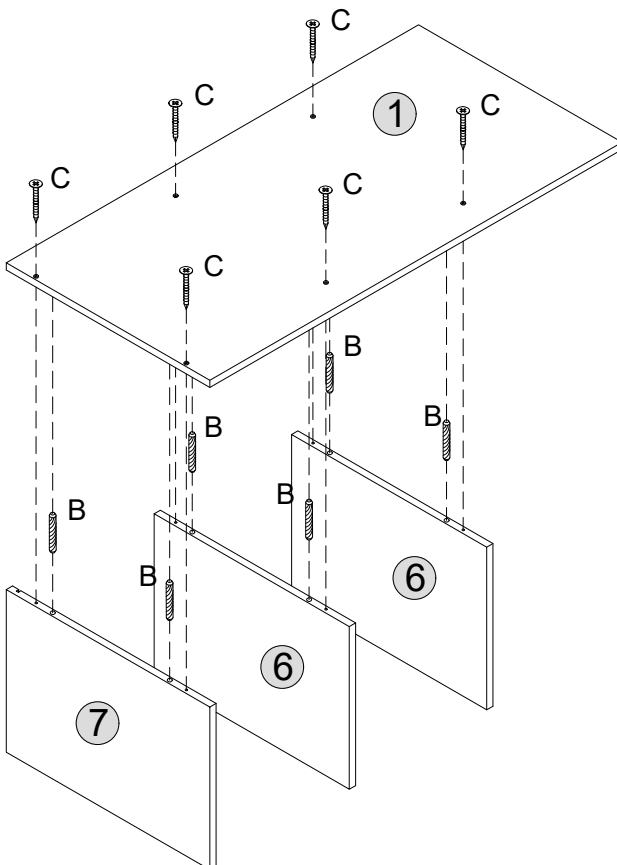




1



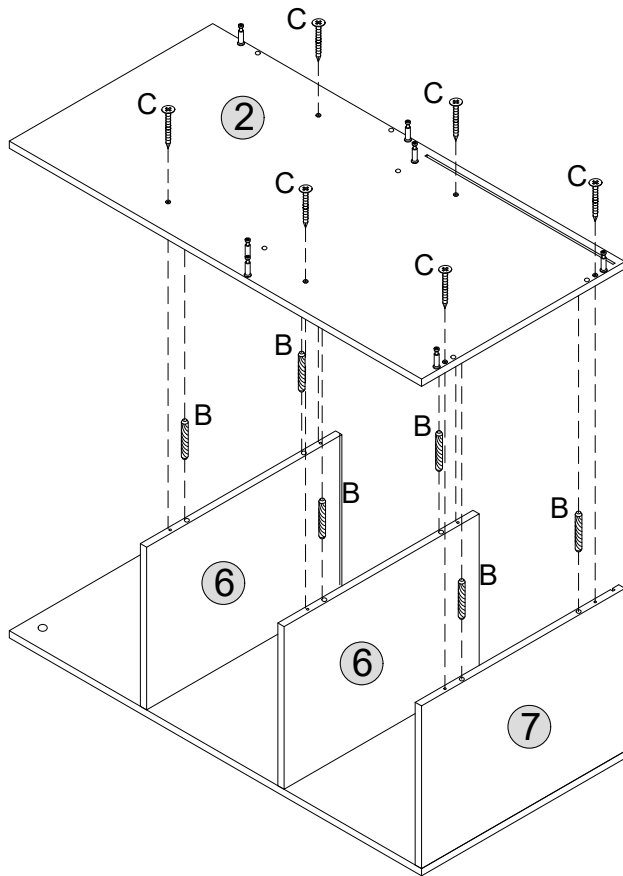
A×11

∅6×35mm



2



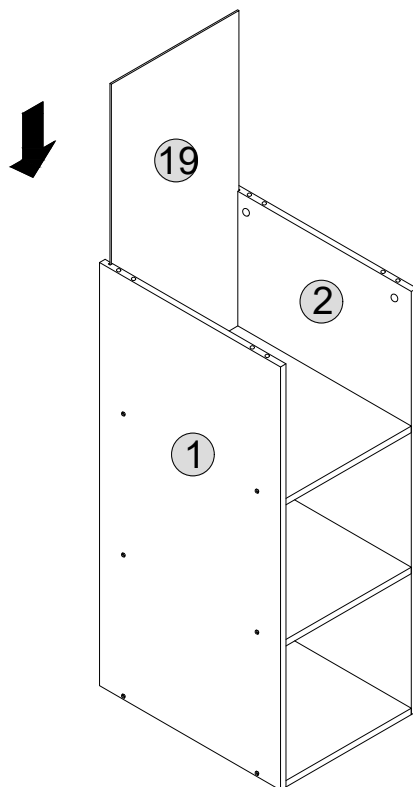
B×6	C×6
	
∅6×30mm	∅4×30mm

3

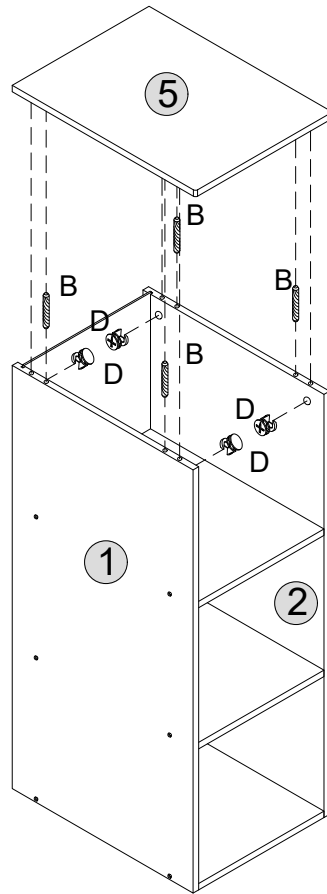




B×6	C×6
	
∅6×30mm	∅4×30mm

4

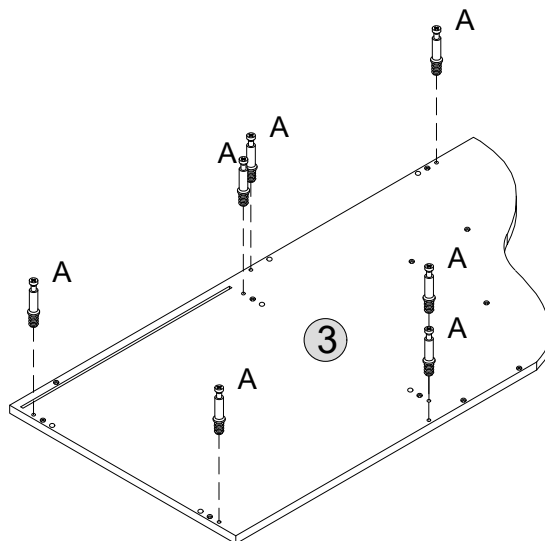


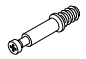
5



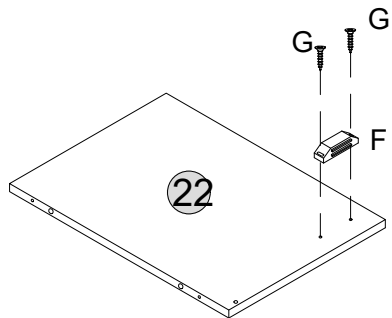
B×4	D×4
	
Ø6×30mm	Ø15×10mm



6



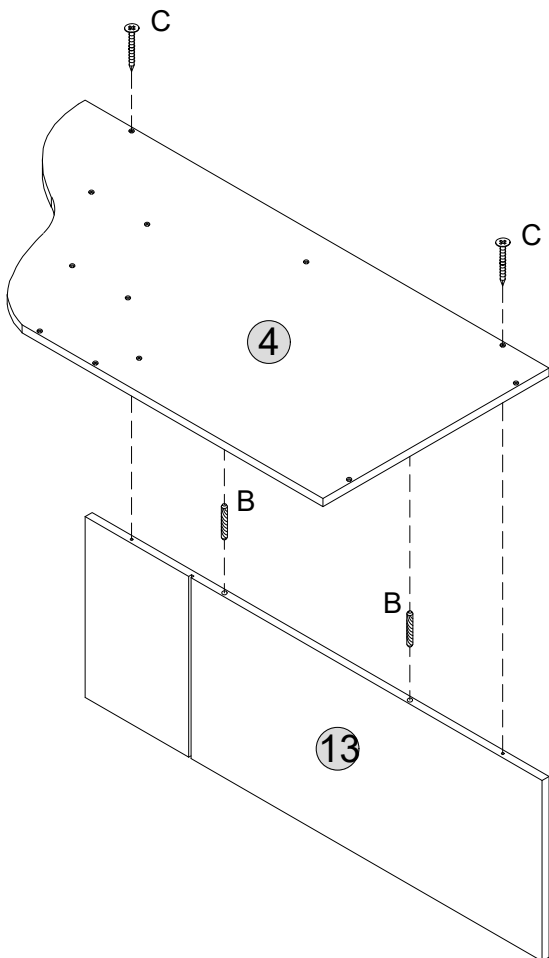
A×7

Ø6×35mm



7



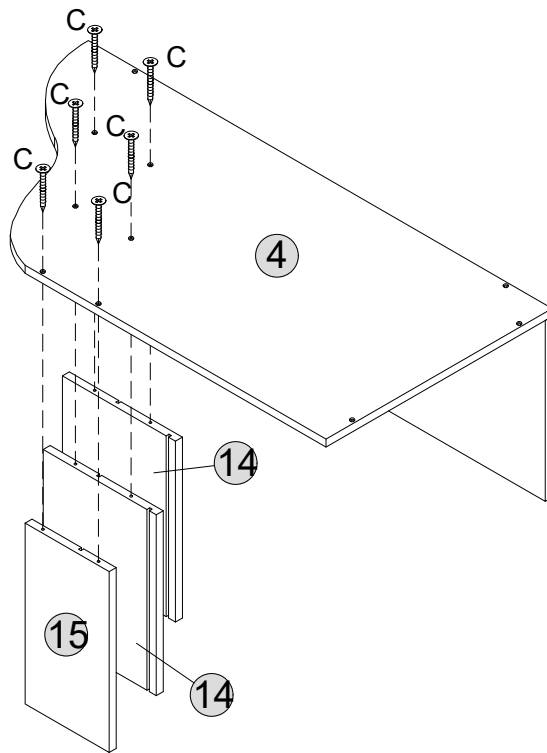
F×1	G×2
	
	Ø3×14mm


8



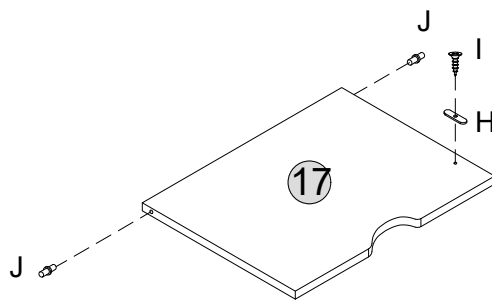
B×2	C×2
	
Ø6×30mm	Ø4×30mm




9



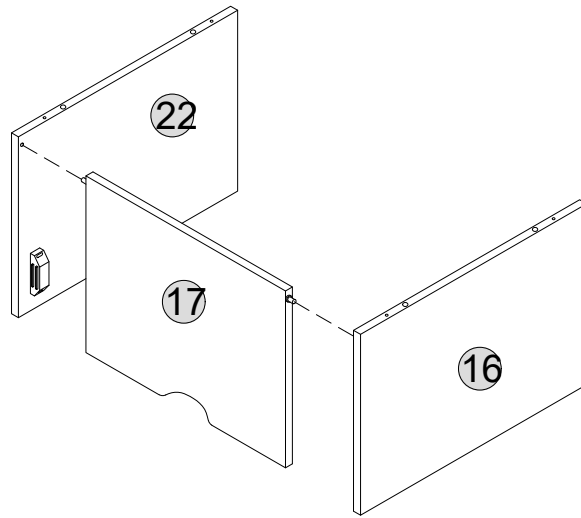
C×6

Ø4×30mm

10

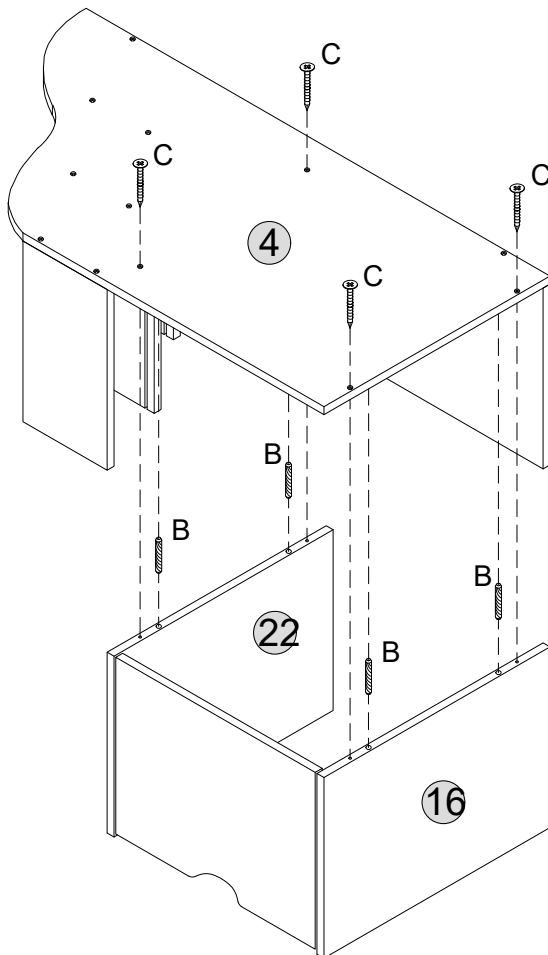




H×1	I×1	J×2
		
	Ø3×12mm	

11

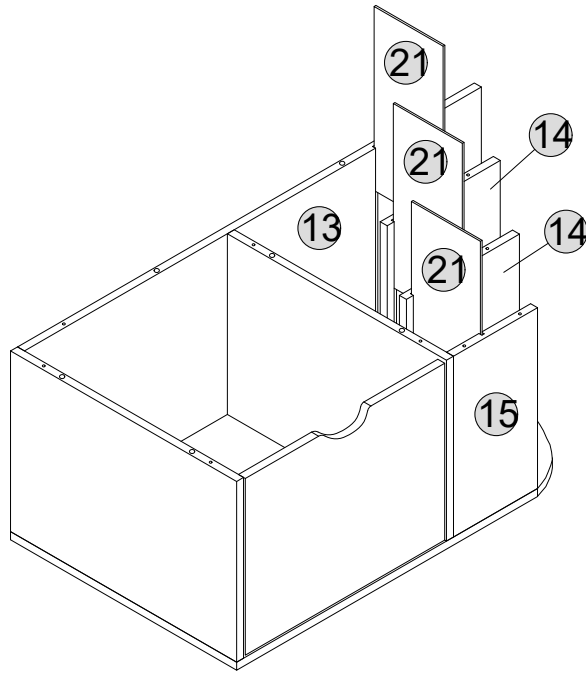


12

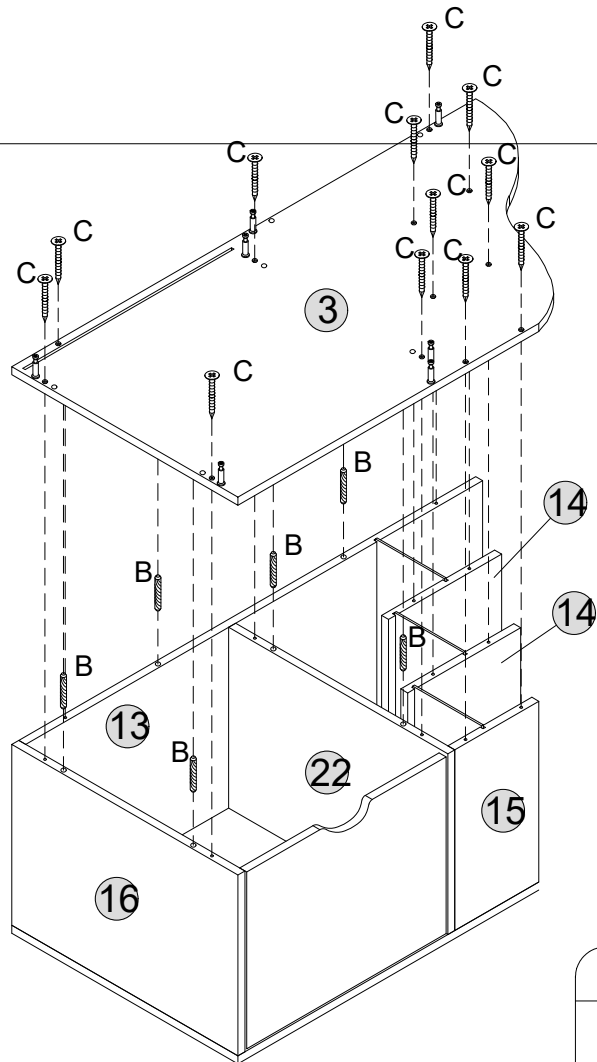




B×4	C×4
	
∅6×30mm	∅4×30mm

13

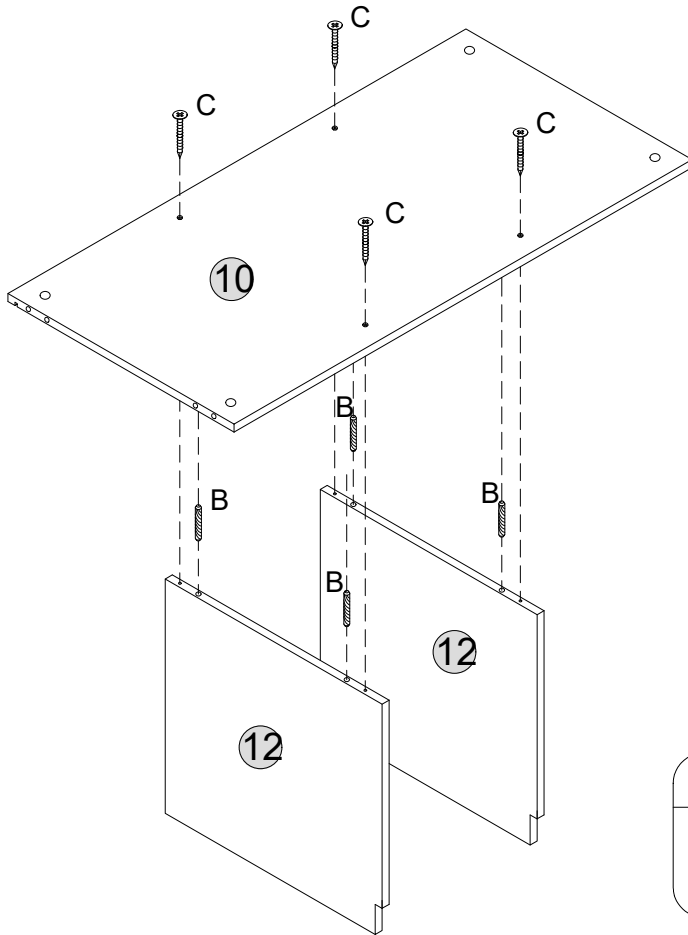




14



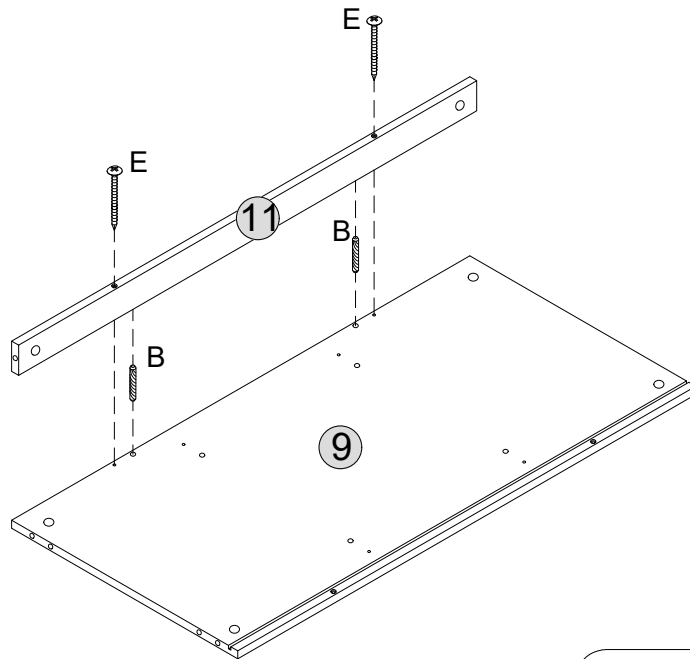
B×6	C×12
	
∅6×30mm	∅4×30mm



15



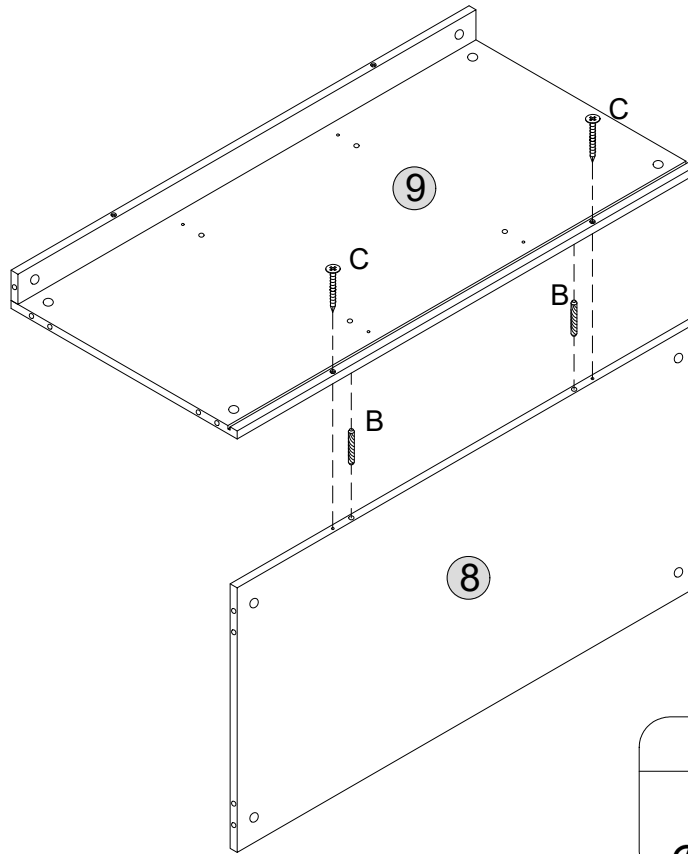
B×4	C×4
	
Ø6×30mm	Ø4×30mm



16



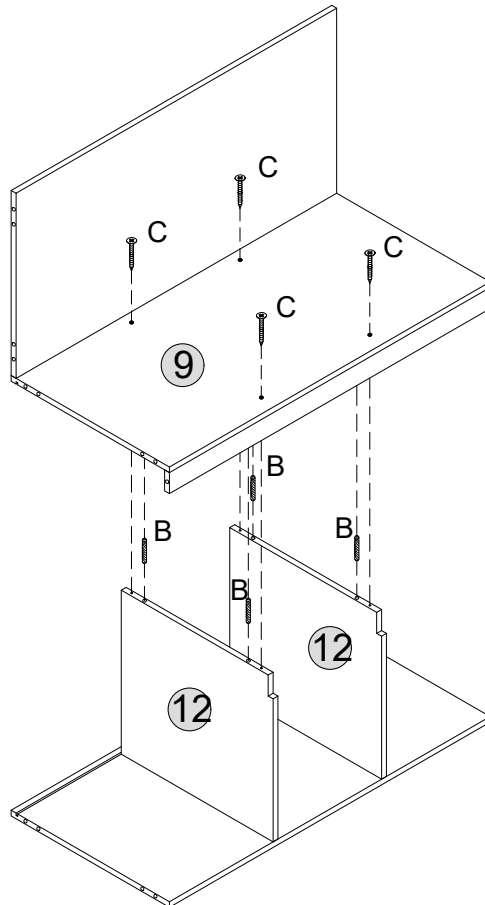
B×2	E×2
	
Ø6×30mm	Ø4×45mm



17



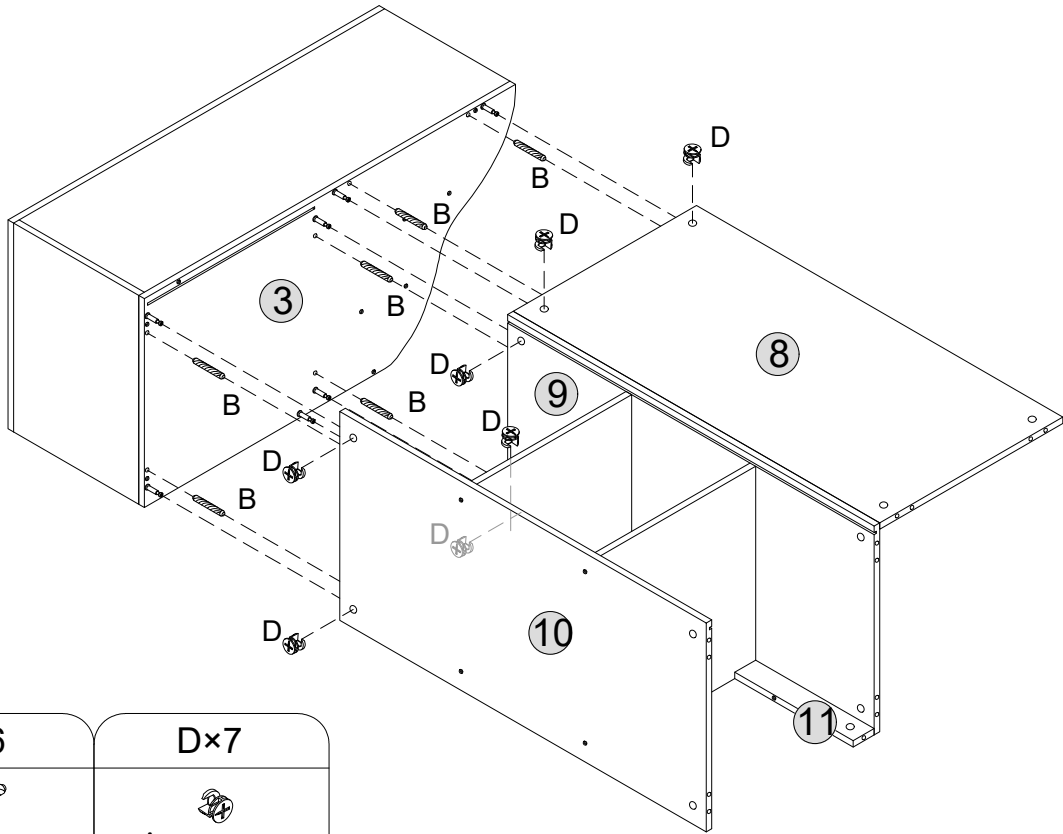
B×2	C×2
	
Ø6×30mm	Ø4×30mm



18



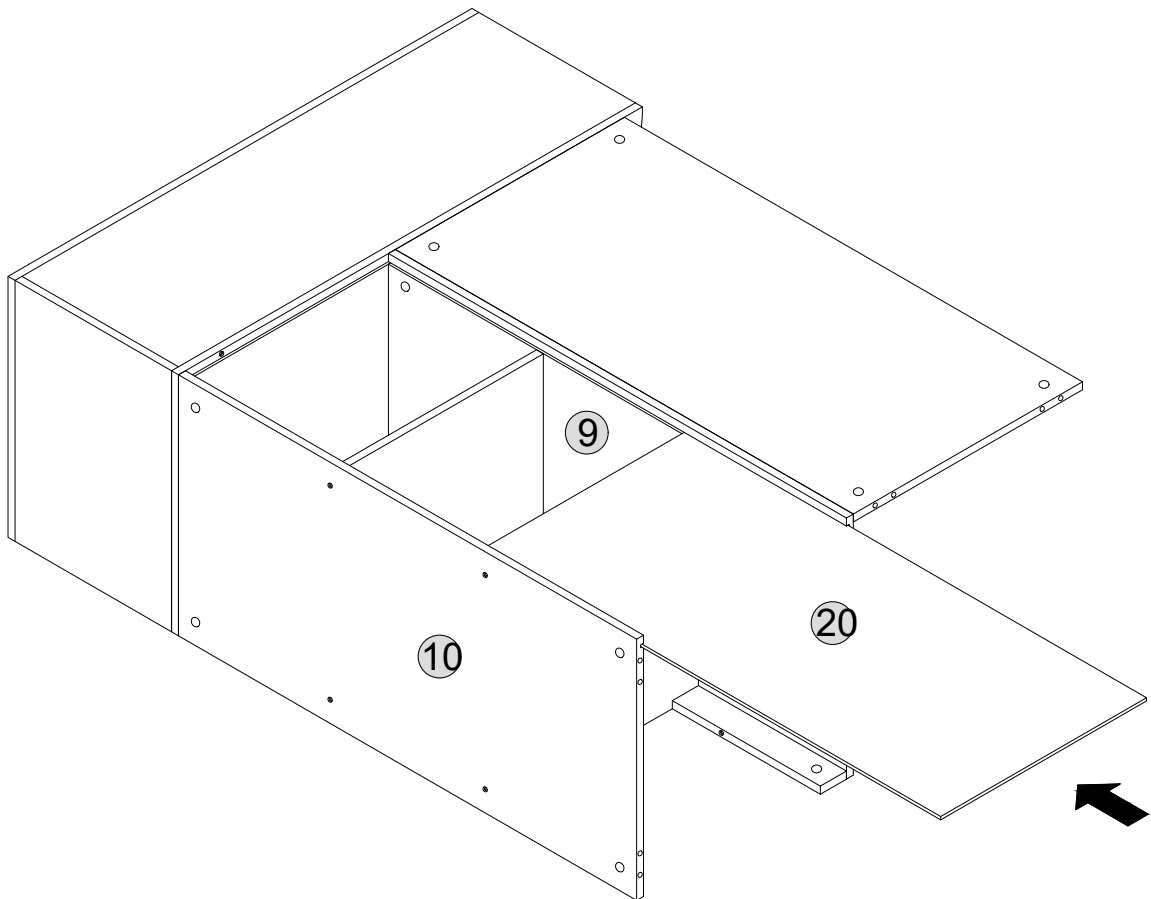
B×4	C×4
	
Ø6×30mm	Ø4×30mm

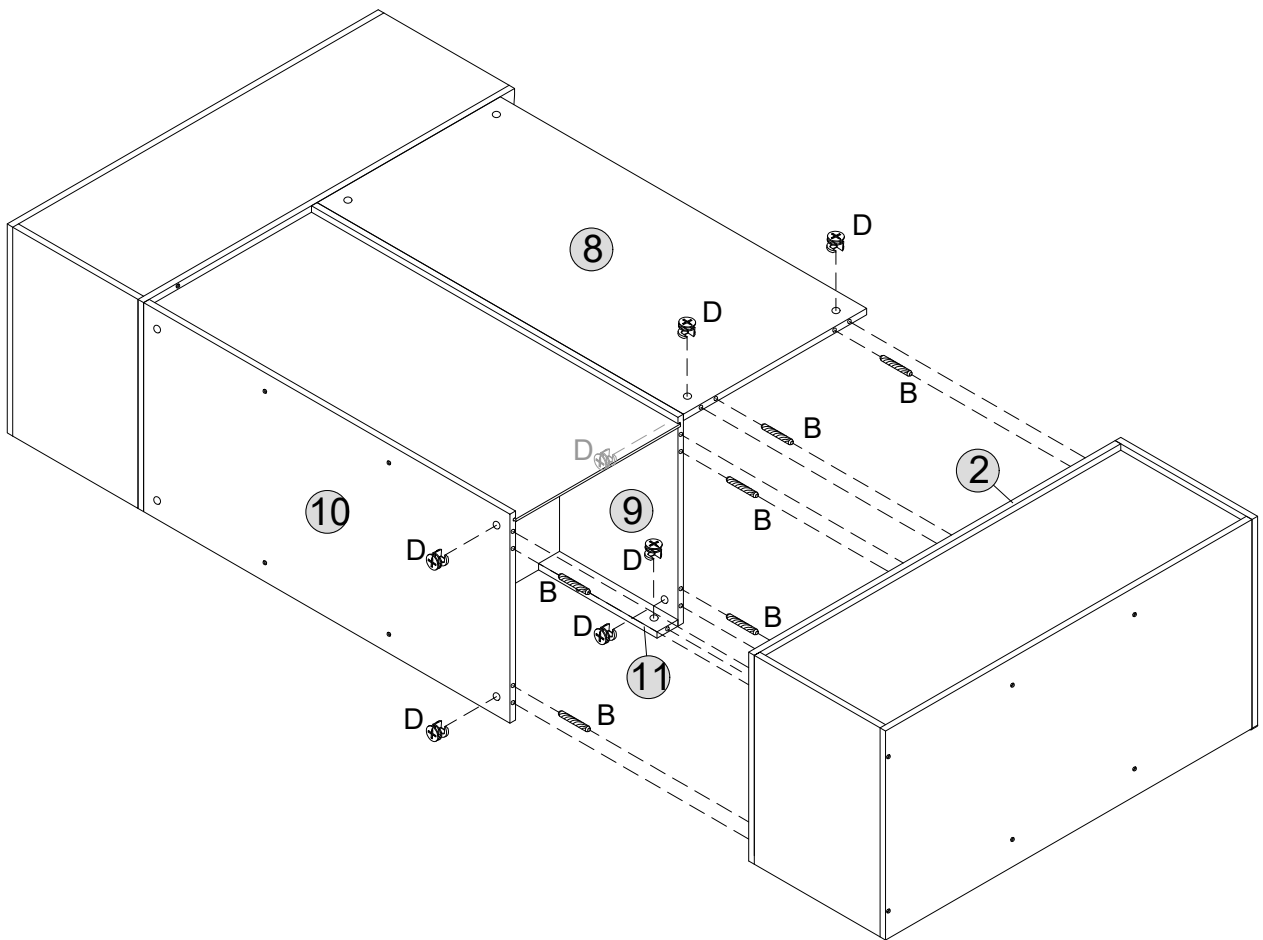
19





B×6  Ø6×30mm	D×7  Ø15×10mm
--	---

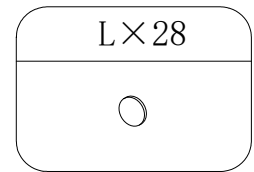
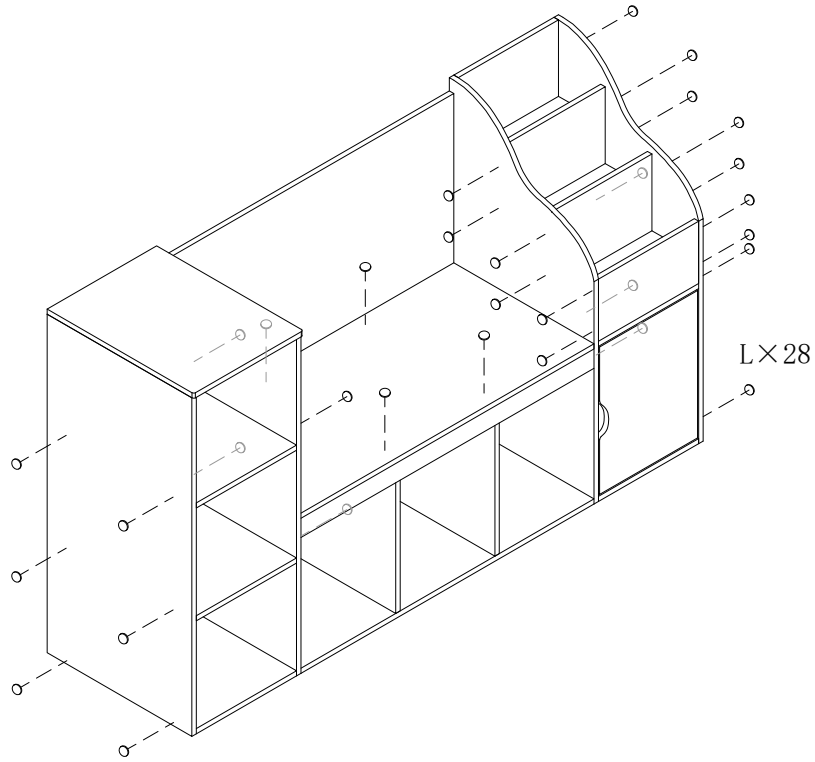
20



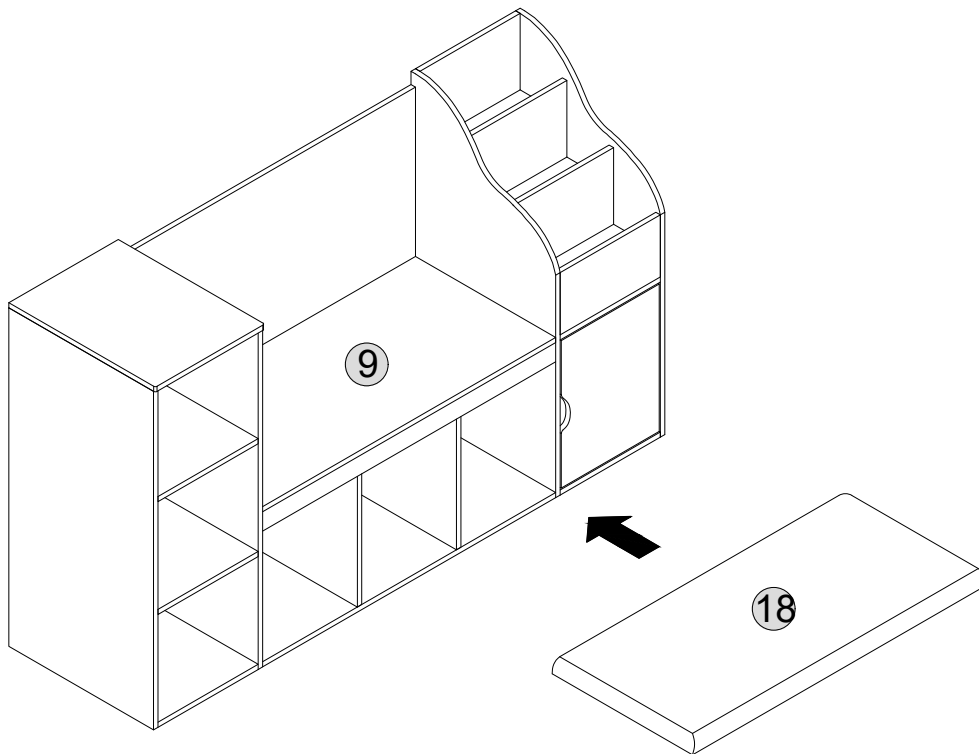


B×6	D×7
	
Ø6×30mm	Ø15×10mm

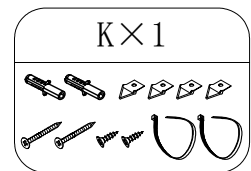
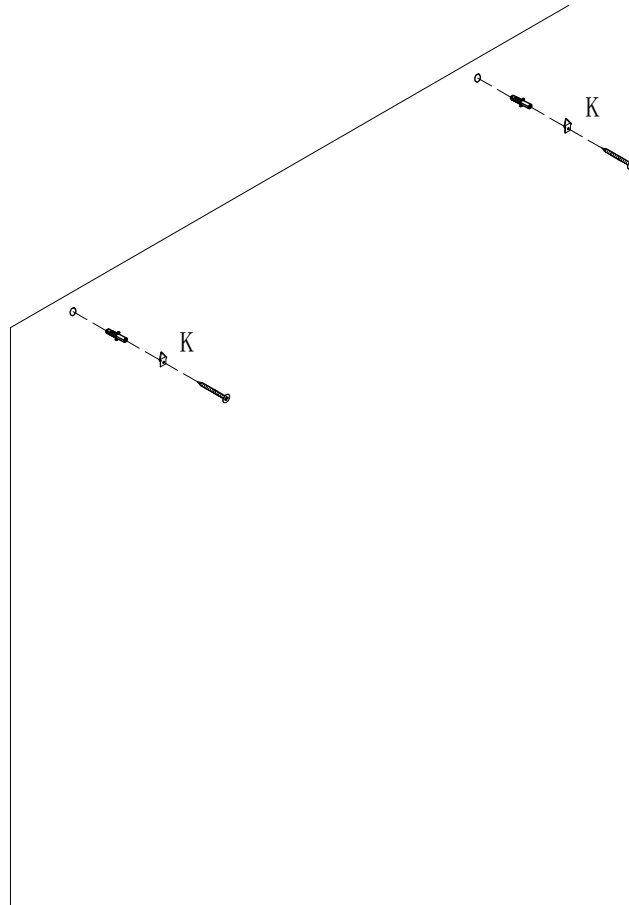
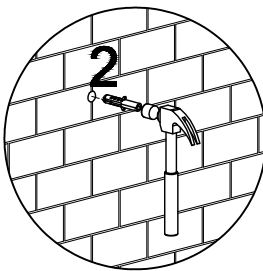
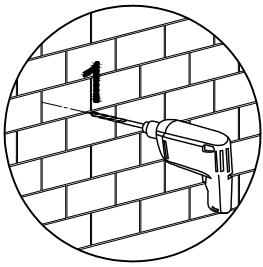
22



23



24



25

