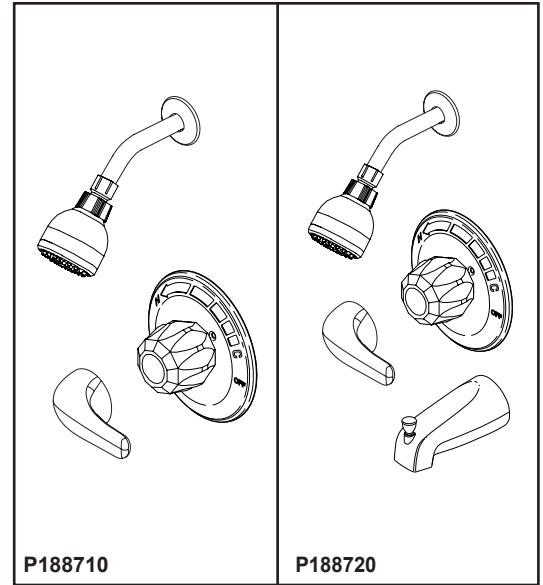
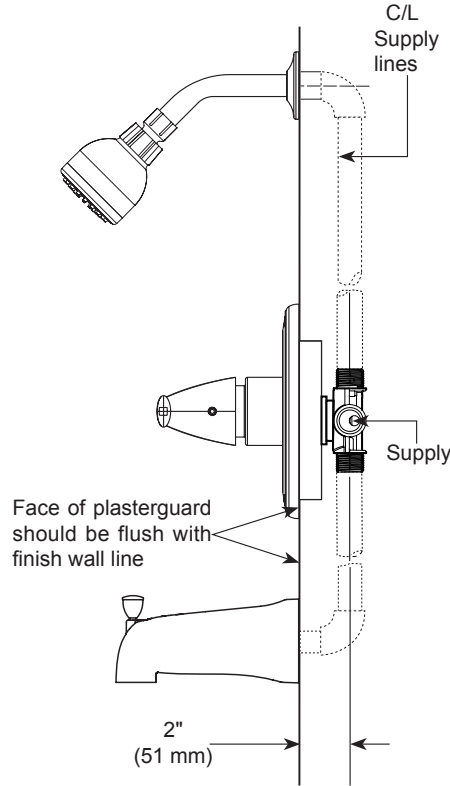
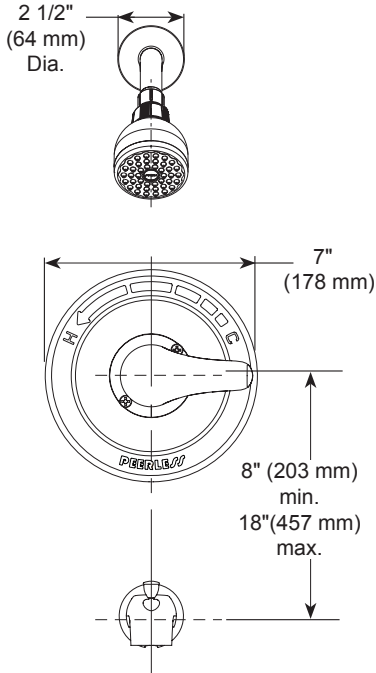


PEERLESS®

P188710
P188720



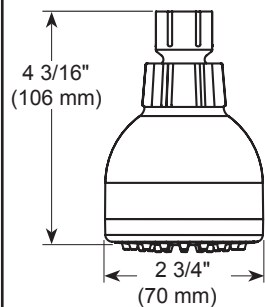
TUB AND SHOWER FAUCET

- Shower Only (P188710 Series)
- Tub/Shower (P188720 Series)

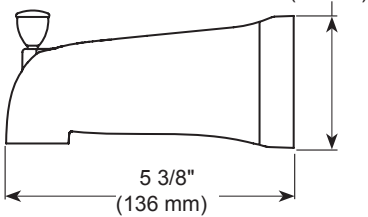
STANDARD SPECIFICATIONS:

- Slip-on tub spout, model P188720.
- Pressure balanced bath mixing valve.
- Tub/Shower. Requires 1 1/2" wall cavity.
- Back-to-back installation capability.
- Temperature control to rotate a maximum of 120° from full cold to the maximum temperature.
- Temperature only controlled with handle.
- Shower head max flow rate is 1.75 gpm @ 80 psi, 6.6 L/min @ 550 kPa.

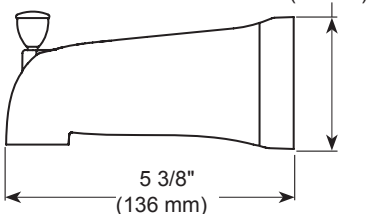
RP70536 ▲ 1.75 GPM



RP44121 ▲



RP71609 ▲



*1/2"-14 threaded tub spout with slip-on adapter included

WARRANTY

- Parts and Finish – Lifetime limited warranty; or for commercial purchasers, 10 years for multi-family residential (apartments and condominiums) and 5 years for all other commercial uses, in each case from the date that the product is received by the original purchaser or their authorized representative (installation contractor, etc.).
- Please go to www.peerlessfaucet.com for the complete details of our limited warranty.



COMPLIES WITH:

- ASME A112.18.1 / CSA B125.1
- ASSE 1016 / ASME A112.1016 / CSA B125.16
- EPA WaterSense®

♿ ICC/ANSI A117.1 – Applies to metal lever handle only