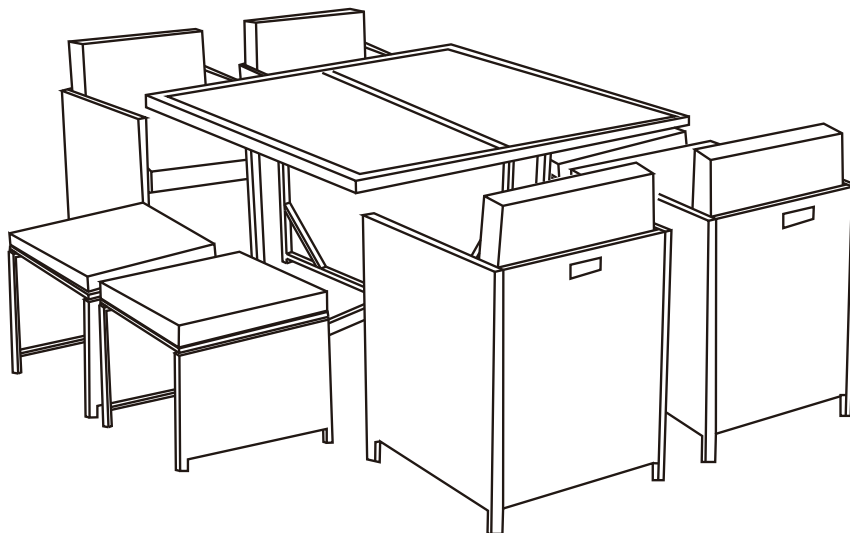


# CUBE SET 8 GREY GREY

*Instruction manual*





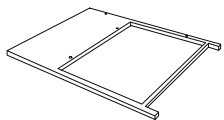

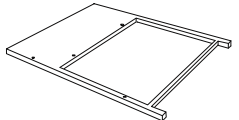

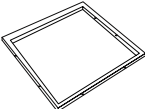

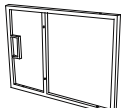
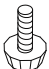
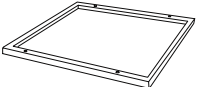
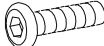
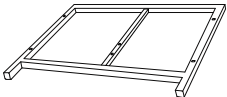







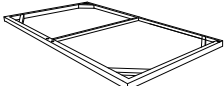

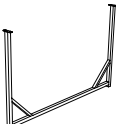
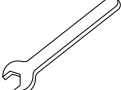
# SAFETY AND CARE ADVICE

PLEASE READ THESE INSTRUCTIONS CAREFULLY AND KEEP FOR FUTURE

- Check you have all the components and tools listed on pages 1&2.
- Remove all fittings from the plastic bags and separate them into their groups.
- Keep children and animals away from the work area, small parts could choke if swallowed.
- Make sure you have enough space to layout the parts before starting.
- Do not stand or put weight on the product, this could cause damage.
- Assemble on a soft level surface to avoid damaging the unit or your floor (use opened out unit carton).
- We do not recommend the use of power drill/drivers for inserting screws, as this could damage the unit. Only use hand screwdrivers.



# COMPONENTS

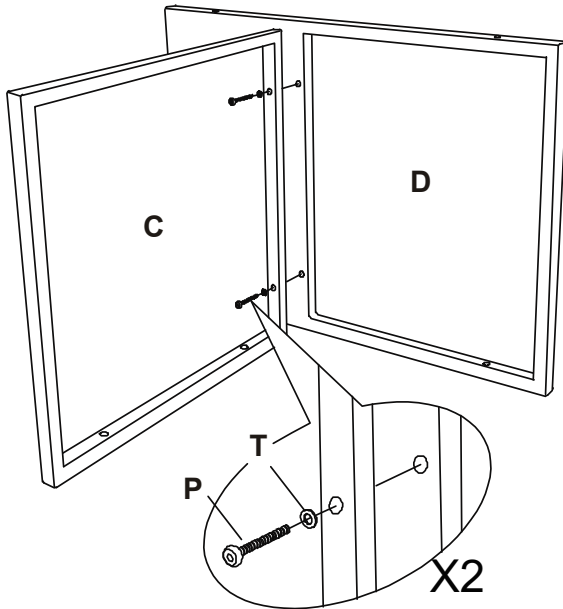
LABEL	PICTURE	QTY	LABEL	PICTURE	QTY
A		4	L		2
B		4	M		2
C		4	N		4
D		4	O		4
E		4	P	 M6*35	64
F		8	Q	 M6*15	24
G		4	R	 M6*40	2
H		4	S		2
I		4	T		92
J		2	U		1
K		1	V		1




**ATTENTION:**  
DO NOT tighten any Bolt fully and then move on to the next one.  
This may cause the frame to warp !!

# COMPONENTS

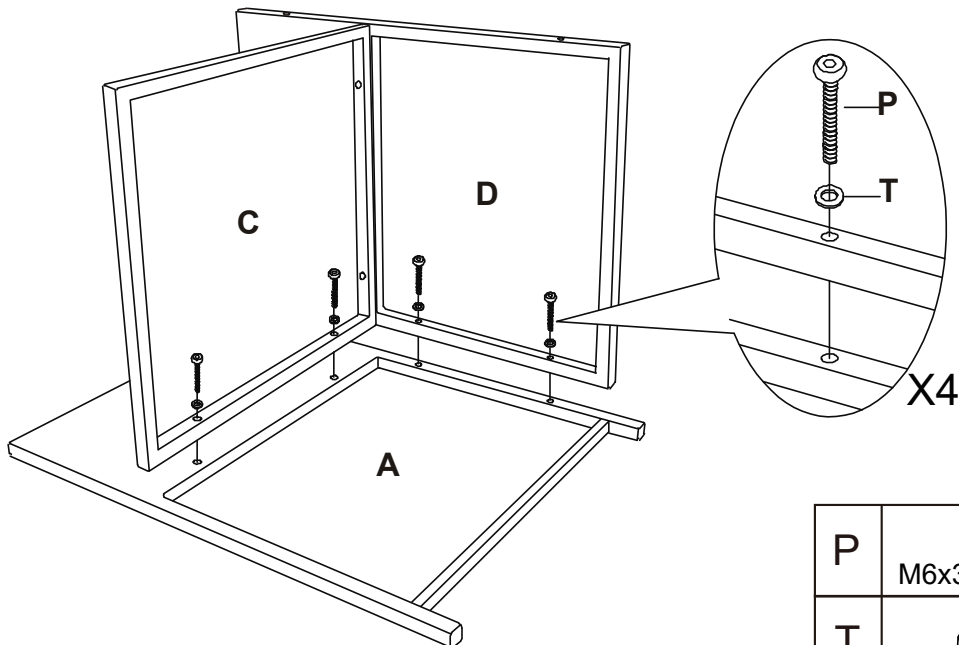
## step1




Please note, When building this product bolts should be finger tightened until all parts are in place. Only once all parts and bolts are assembled should bolts them be fully tightened using the ratchet.



P	 M6x35mm	2
T		2
U		1

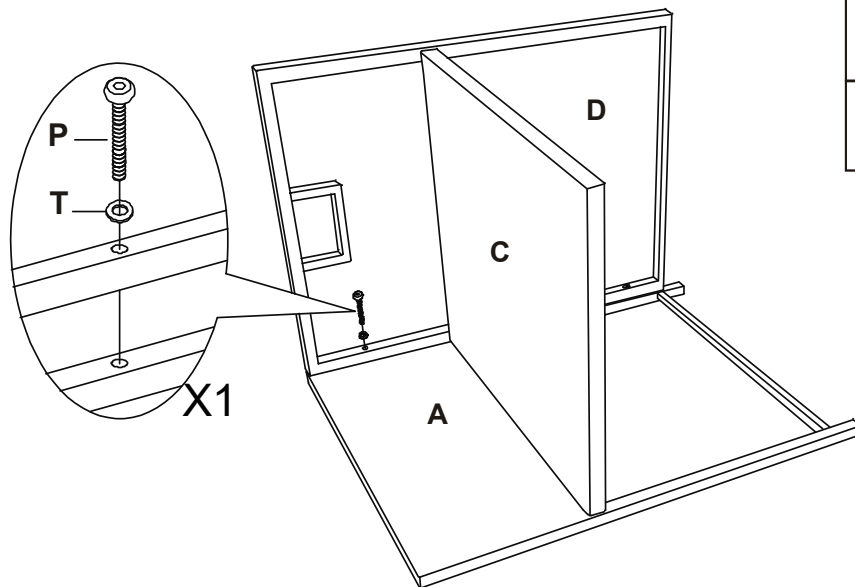
## step2






P	 M6x35mm	4
T		4
U		1

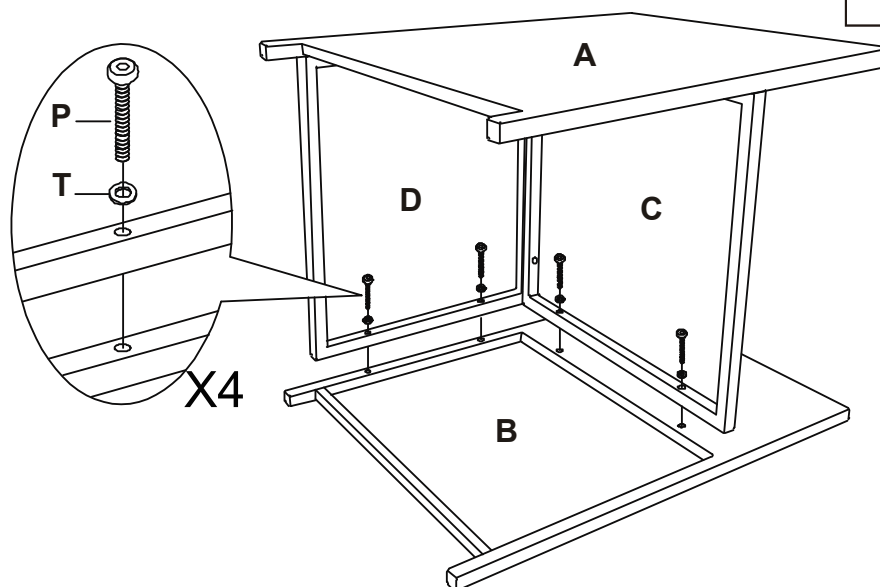
# ASSEMBLY INSTRUCTIONS




step3



P	 M6x35mm	1
T		1
U		1




step4

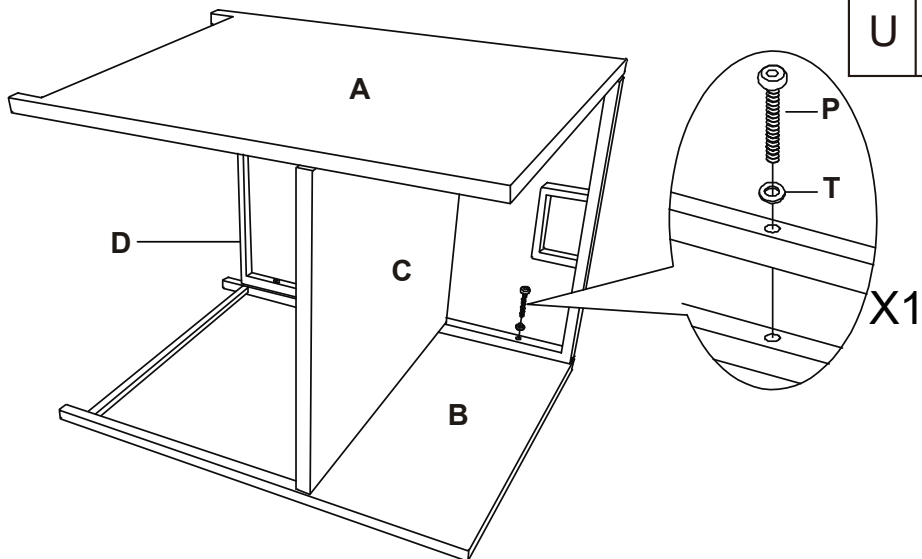


P	 M6x35mm	4
T		4
U		1

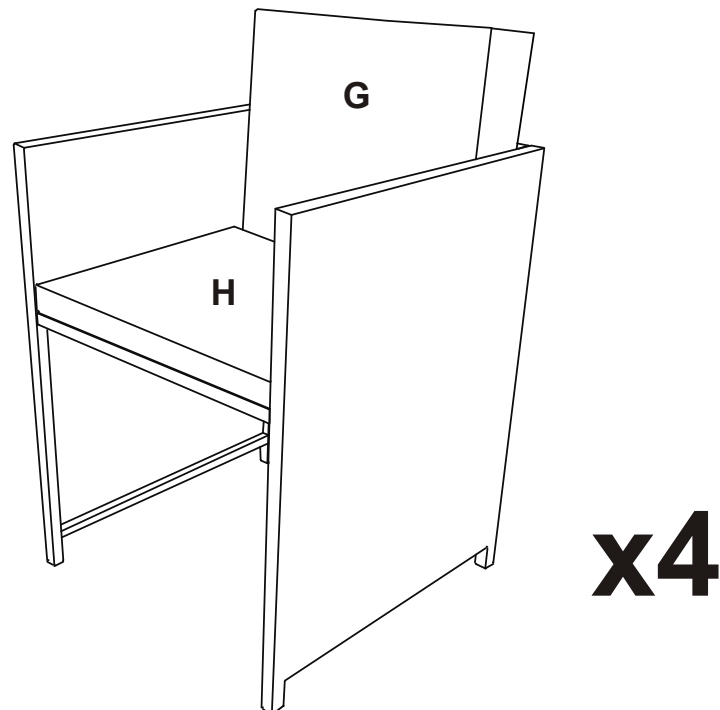
# ASSEMBLY INSTRUCTIONS

step5

P	 M6x35mm	1
T		1
U		1






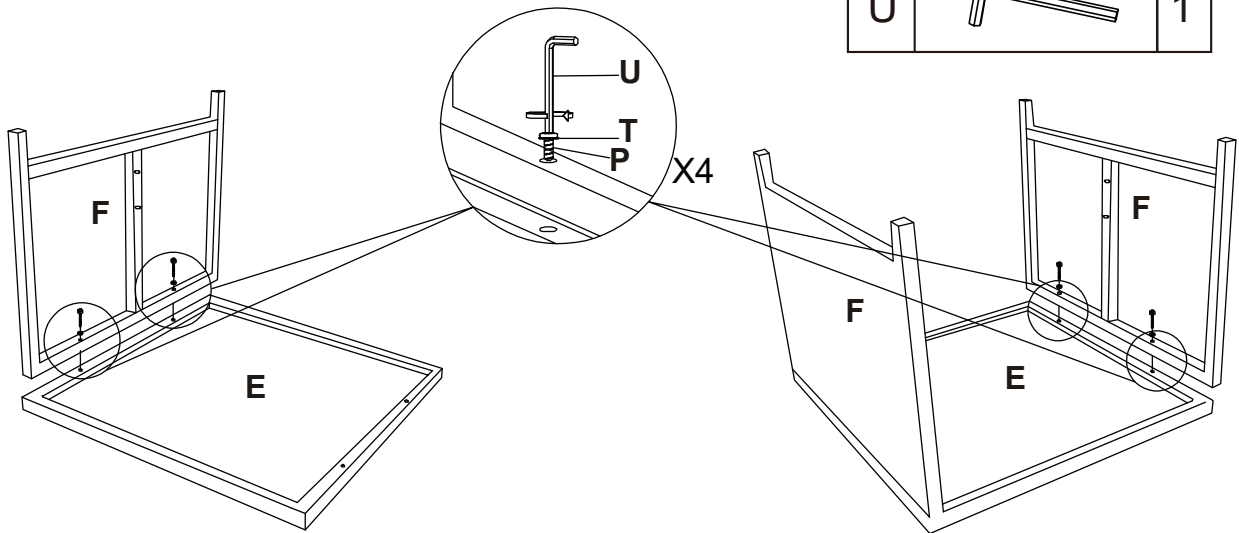
step6






# ASSEMBLY INSTRUCTIONS

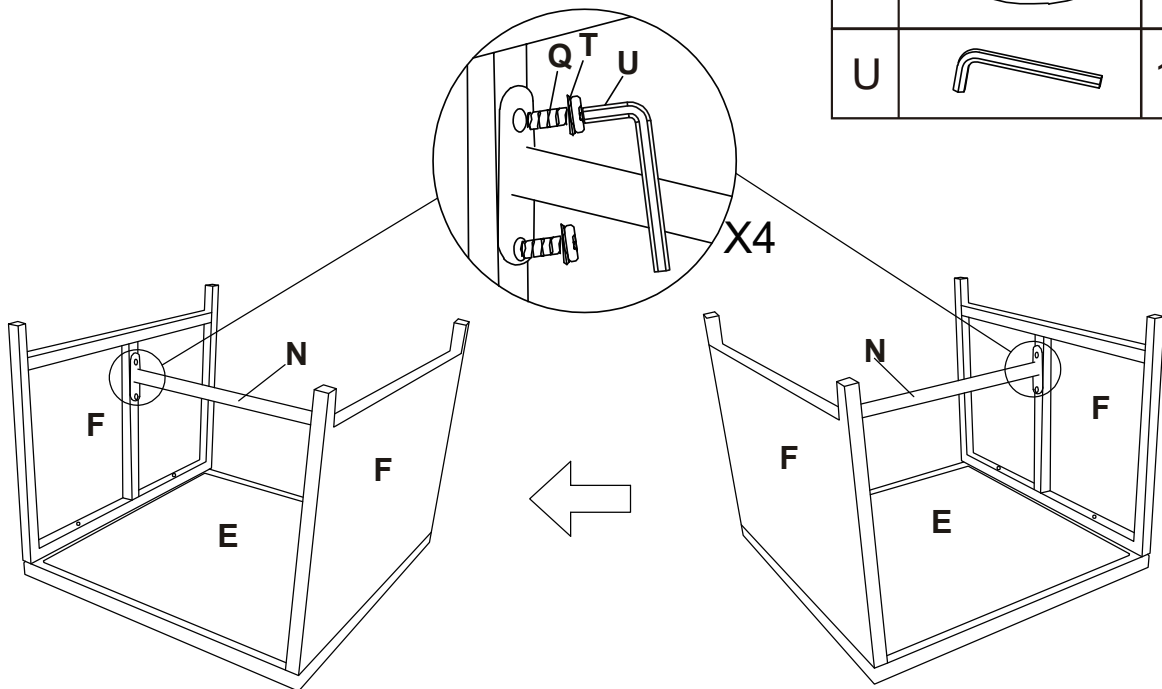
step7

P	 M6x35mm	4
T		4
U		1



step8

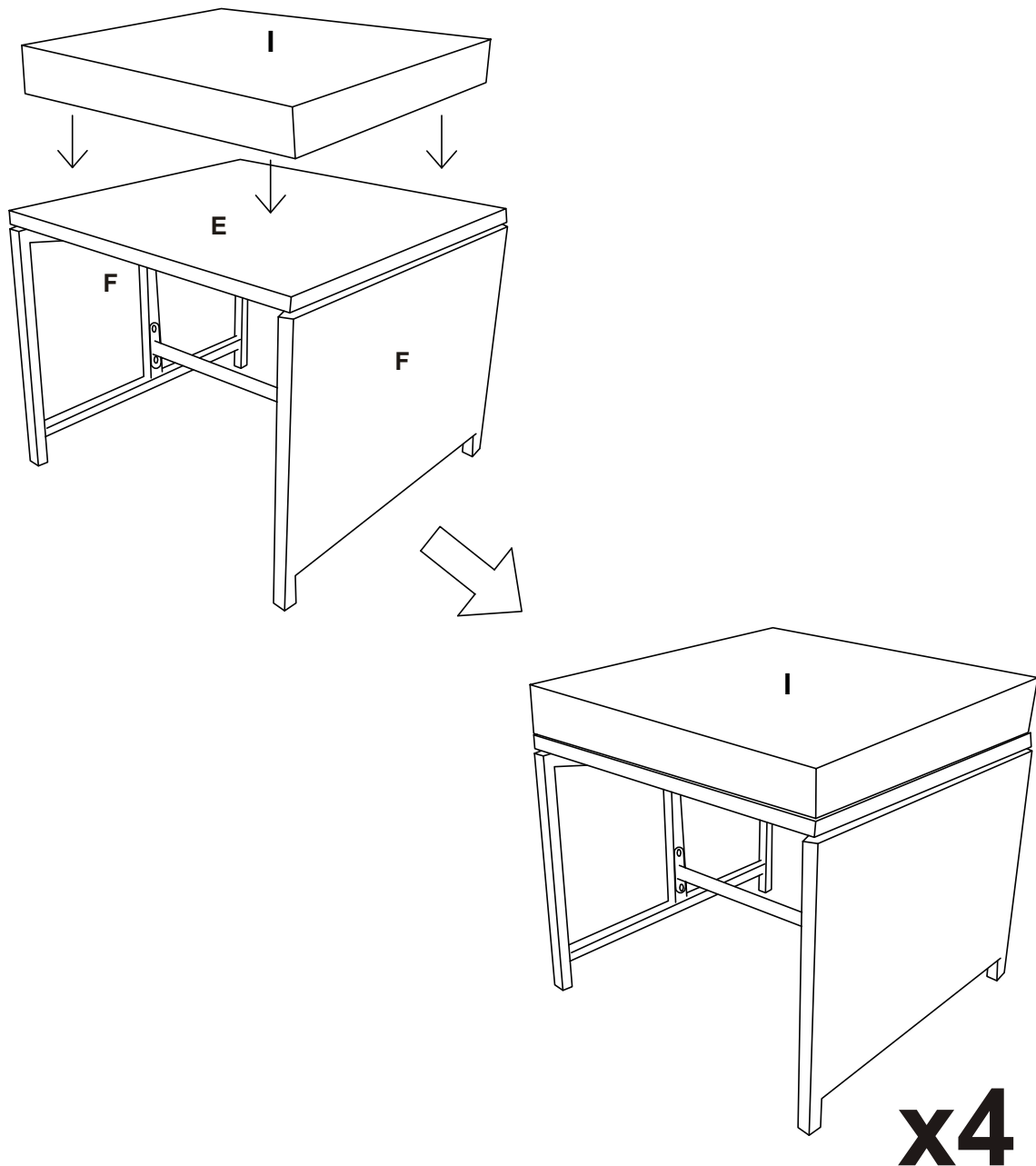
Q	 M6x15mm	4
T		4
U		1



# ASSEMBLY INSTRUCTIONS

---

step9

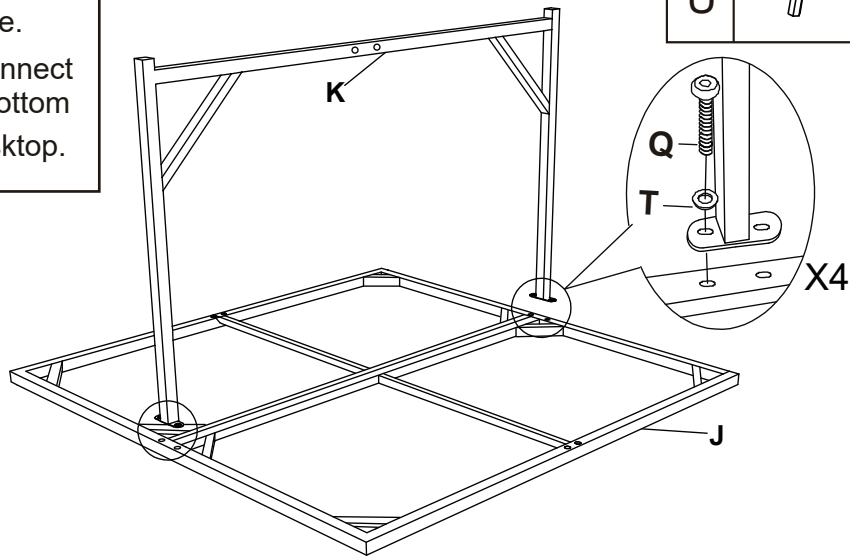





# ASSEMBLY INSTRUCTIONS

## step10

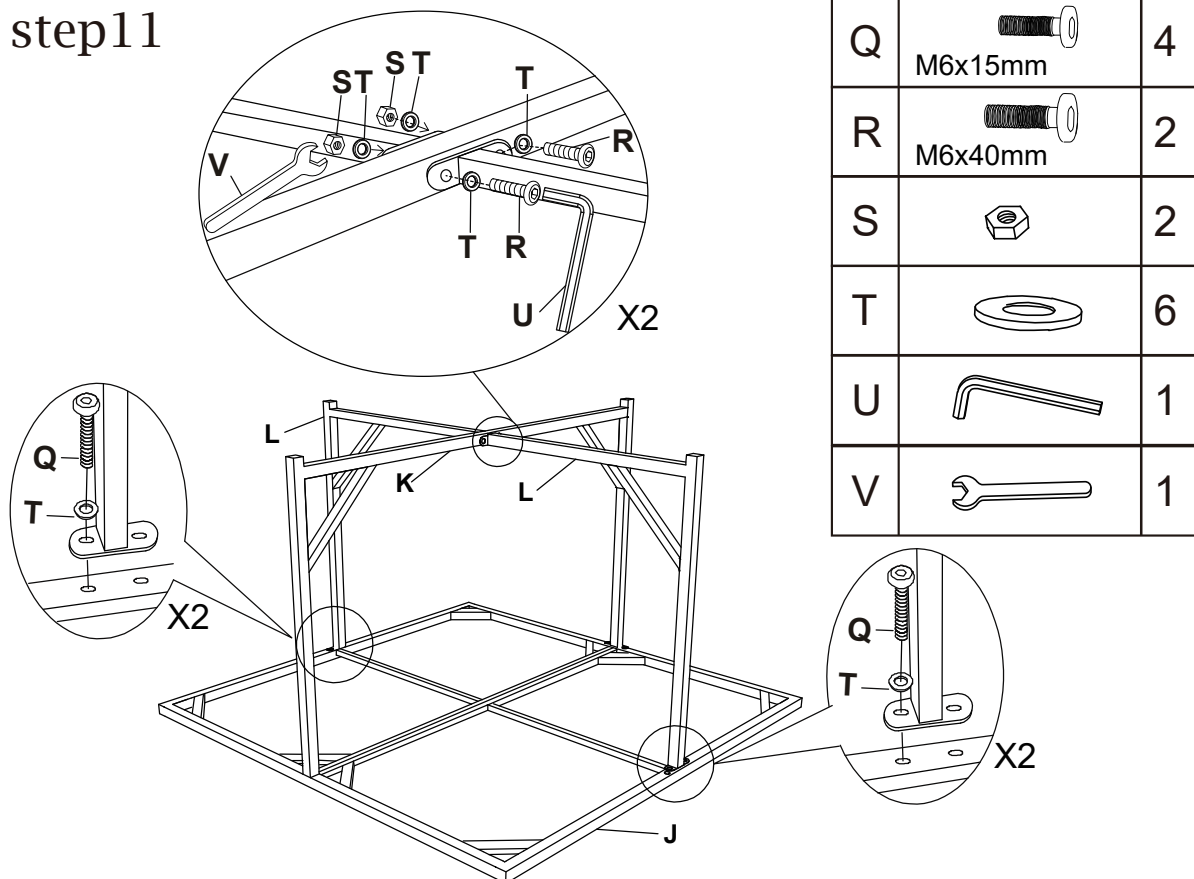
Please note, the table legs are upside down in this picture.







Please connect K to the bottom of the desktop.



Q	 M6x15mm	4
T		4
U		1

## step11



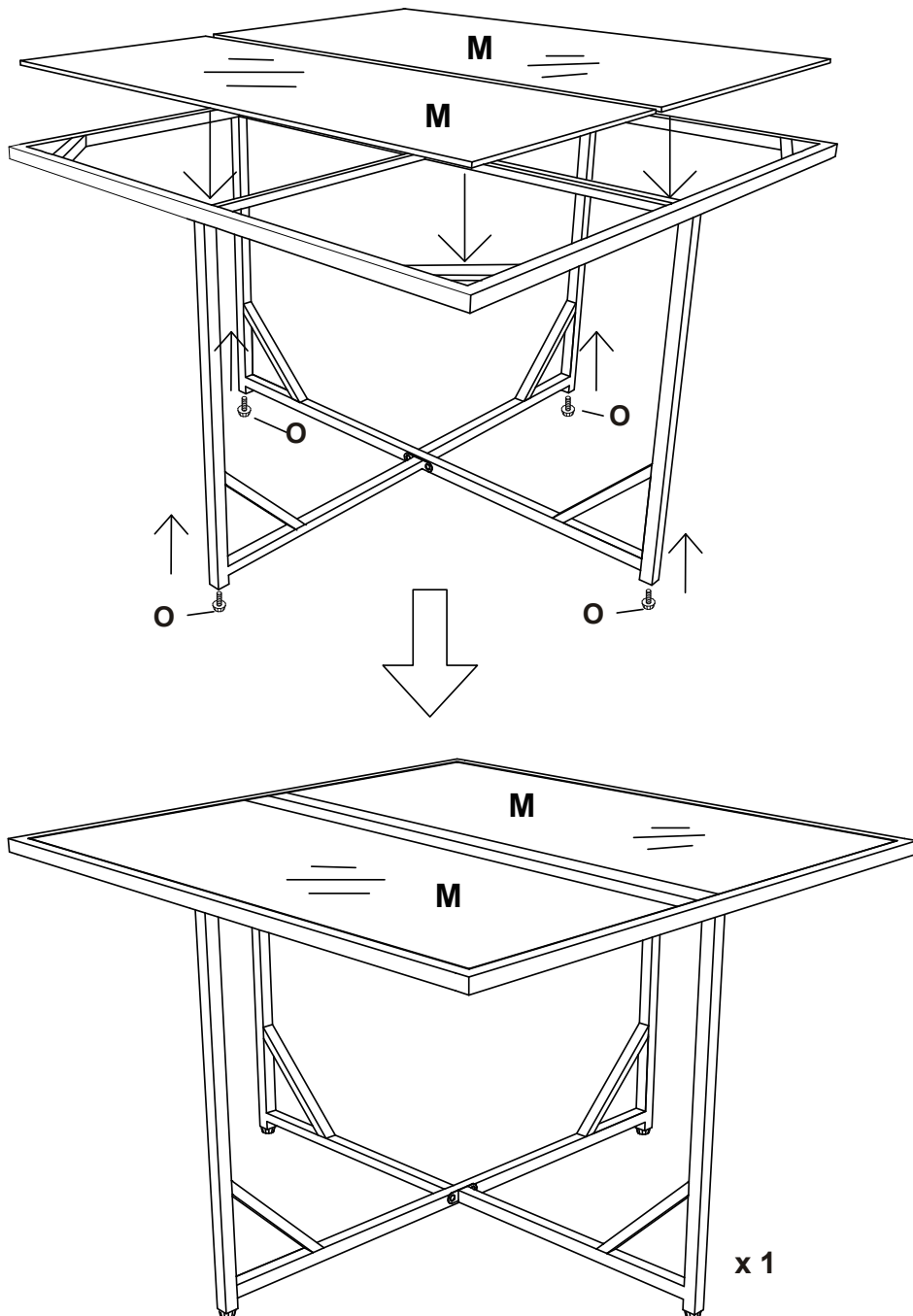
Q	 M6x15mm	4
R	 M6x40mm	2
S		2
T		6
U		1
V		1

# ASSEMBLY INSTRUCTIONS

---

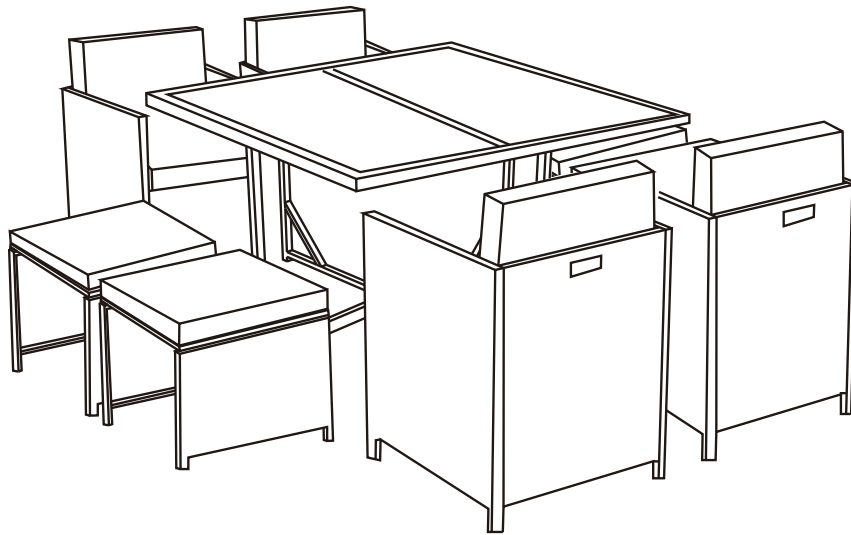
step12

Flip the structure, so the table legs and feet are resting firmly on the ground.



# ASSEMBLY INSTRUCTIONS

---



*Congratulations!  
Now you have finished assembling the product.*