
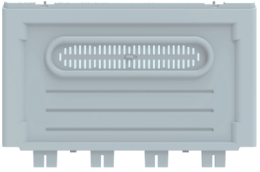








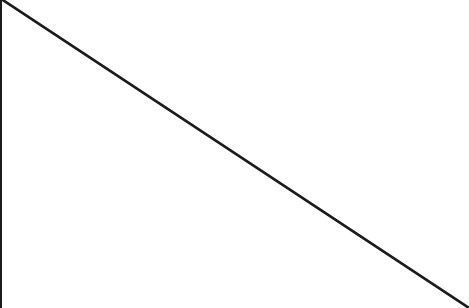
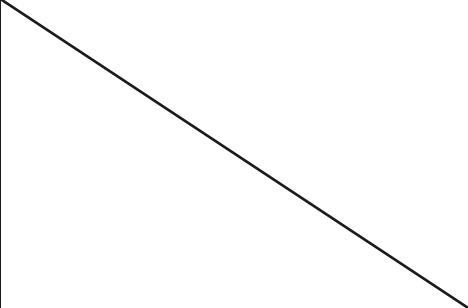


ASSEMBLY INSTRUCTIONS

- 1-Piece
DOG HOUSE

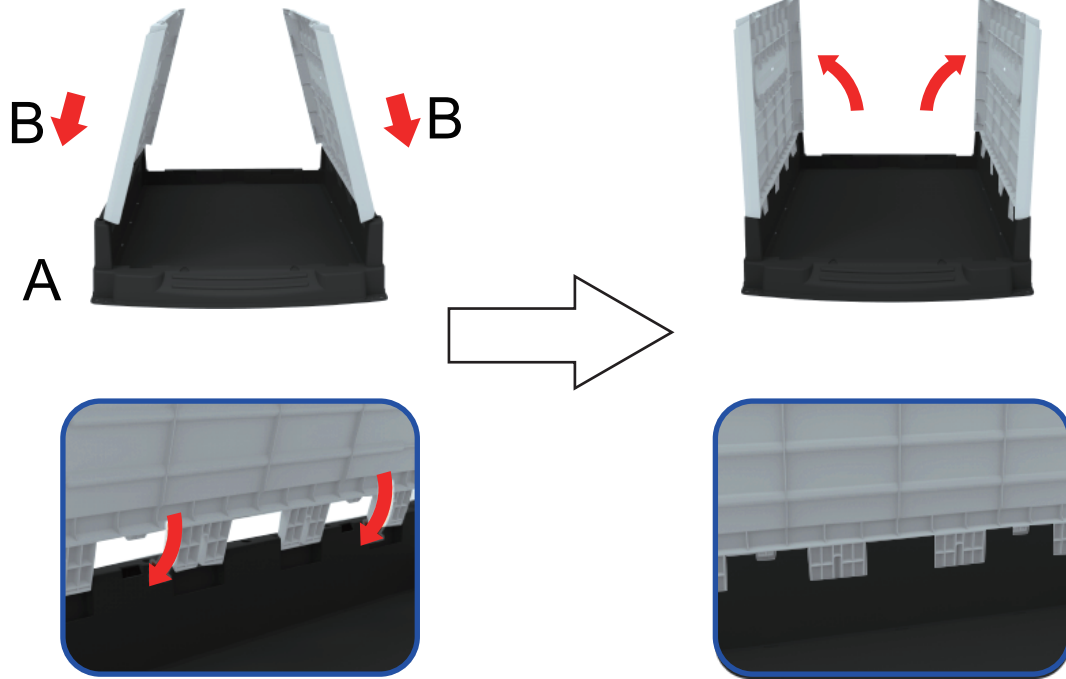


Parts

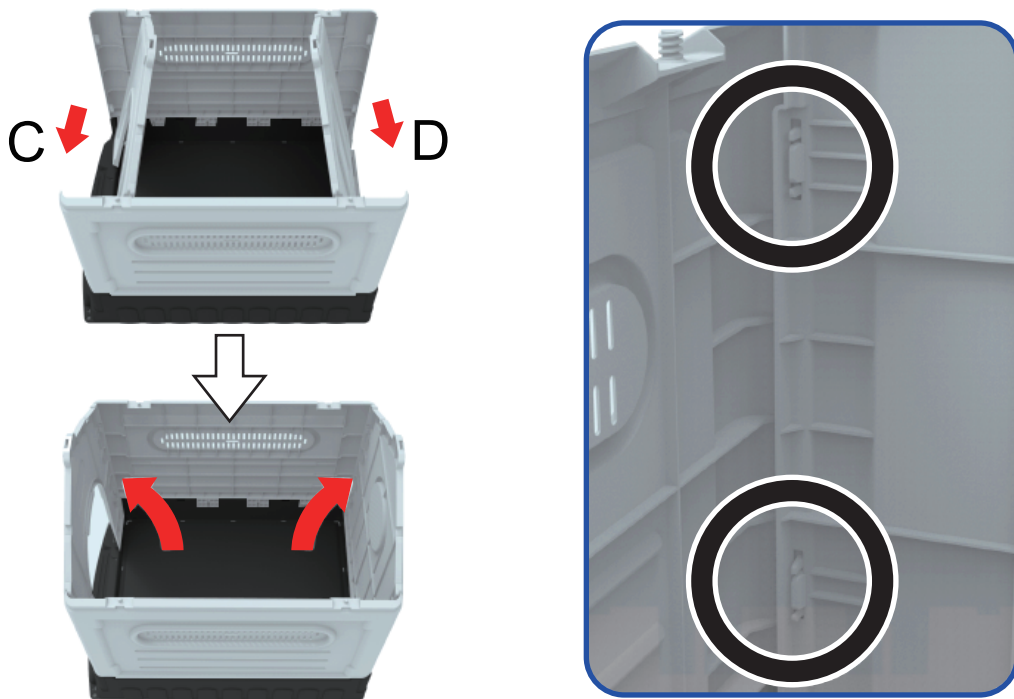
 <p>A x1</p>	 <p>B x2</p>	 <p>C x1</p>
 <p>D x1</p>	 <p>E x1</p>	 <p>F x1</p>
 <p>G x1</p>	 <p>H x4</p>	 <p>I x4</p>
 <p>J x4</p>		

Assembly steps

Step 1

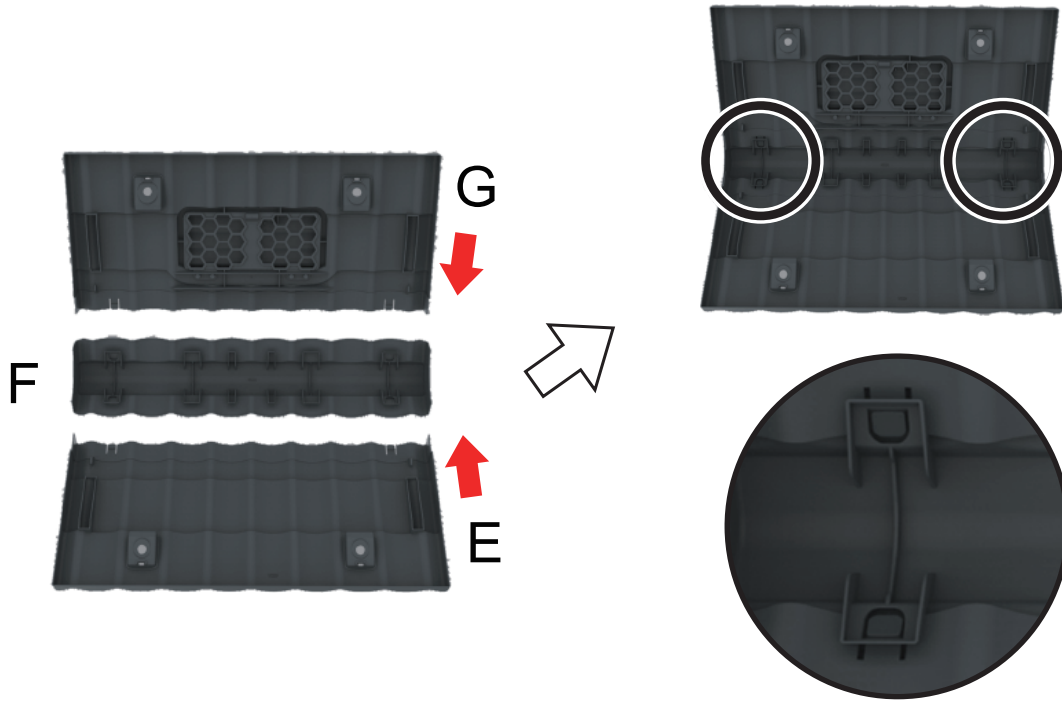


Step 2

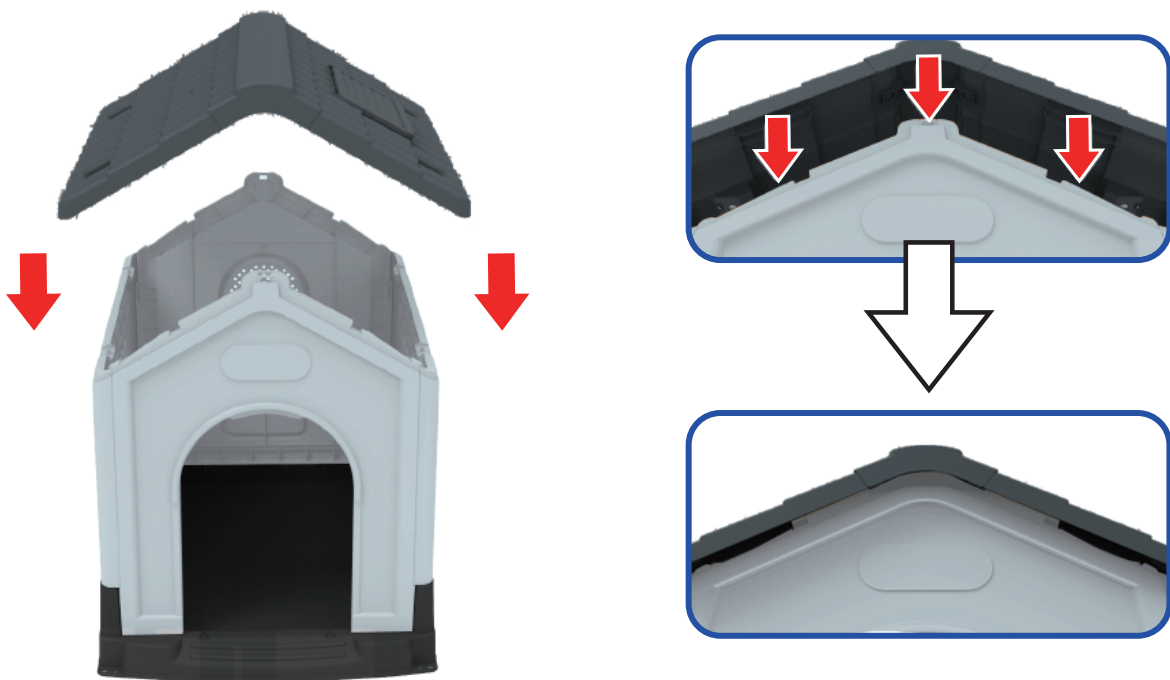


Assembly steps

Step 3



Step 4



Assembly steps

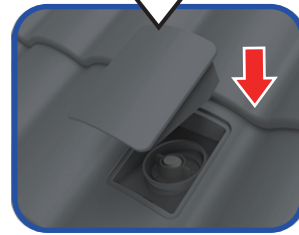
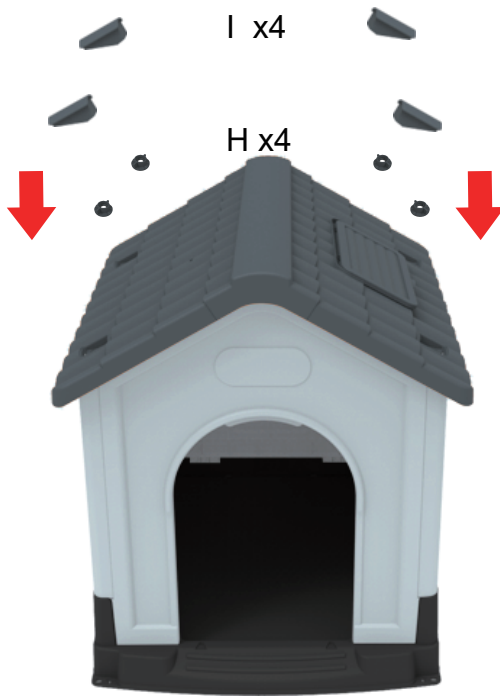
Step 5



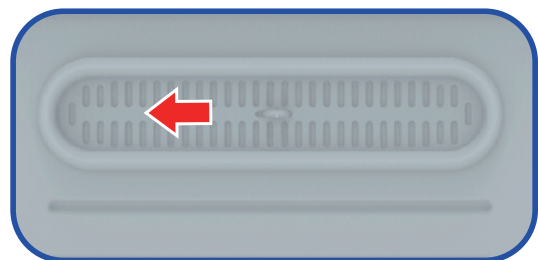
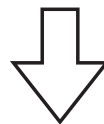
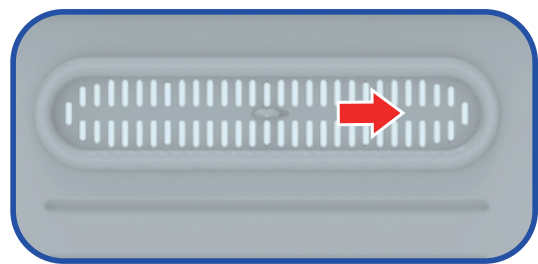
H (X4)



I (X4)



Step 6

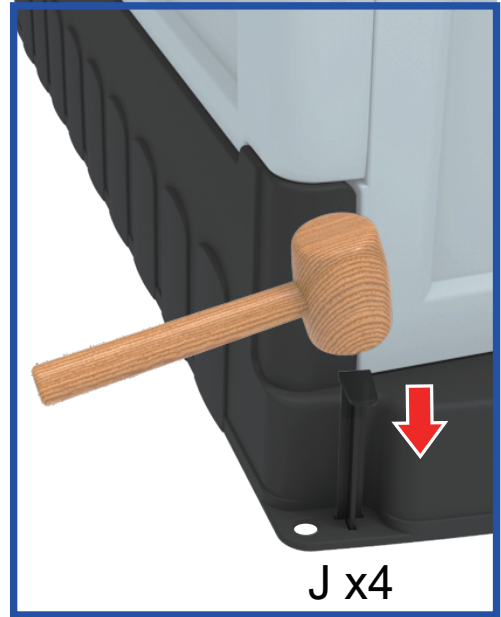
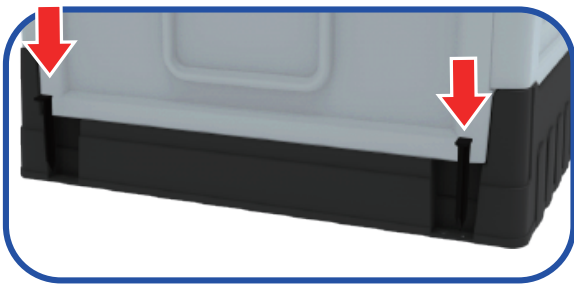
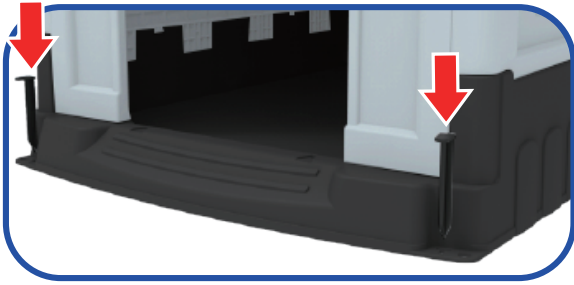


Assembly steps

Step 7



J (X4)



Step 8

