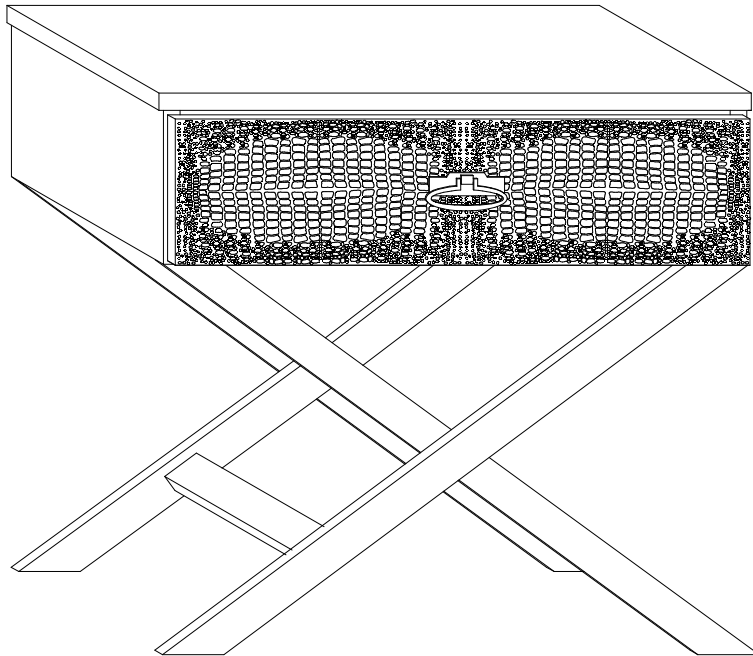
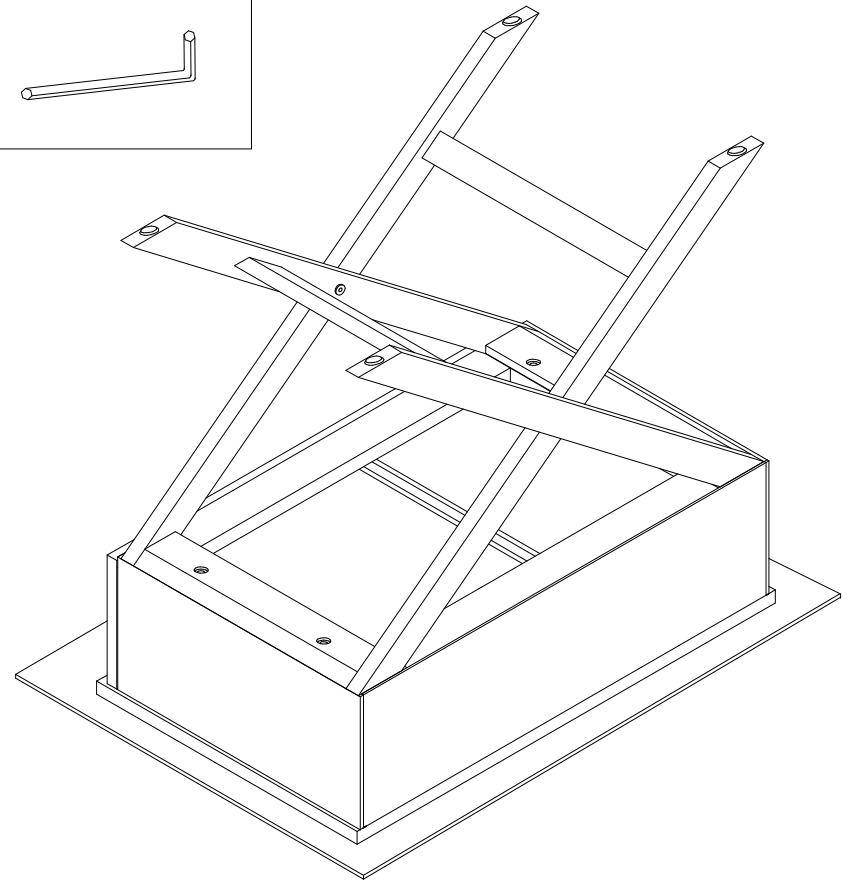
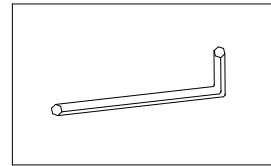


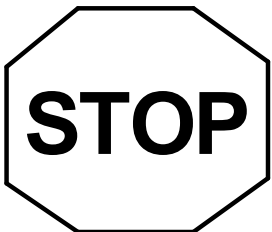
# MODEL: X NIGHT STAND



Required Tools : Allen Key



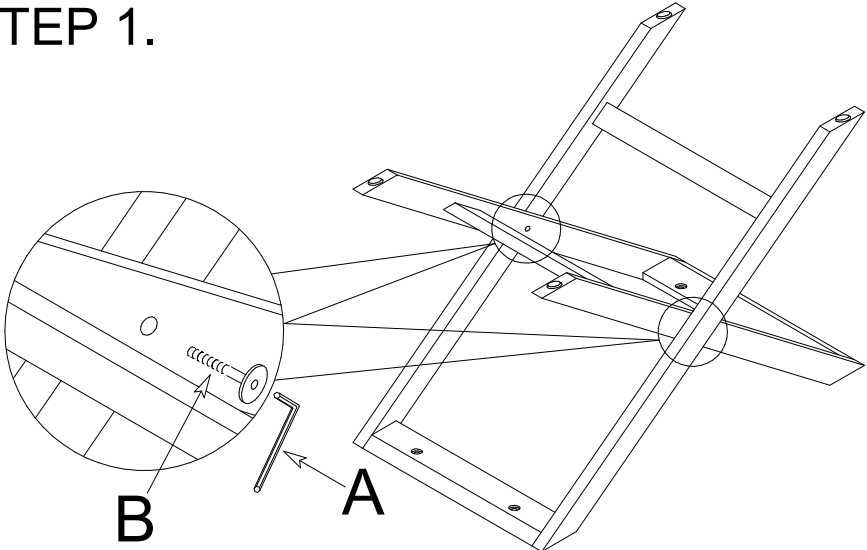
Please place on the carton while installing to prevent damage or scratches.



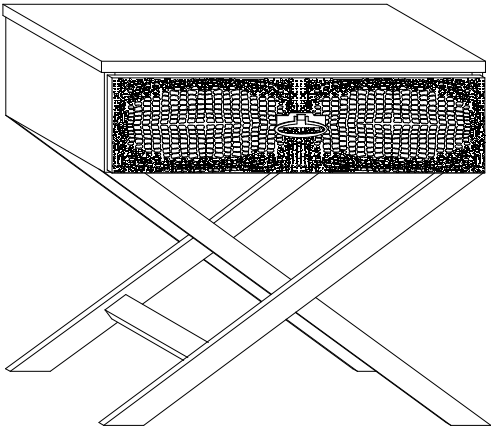
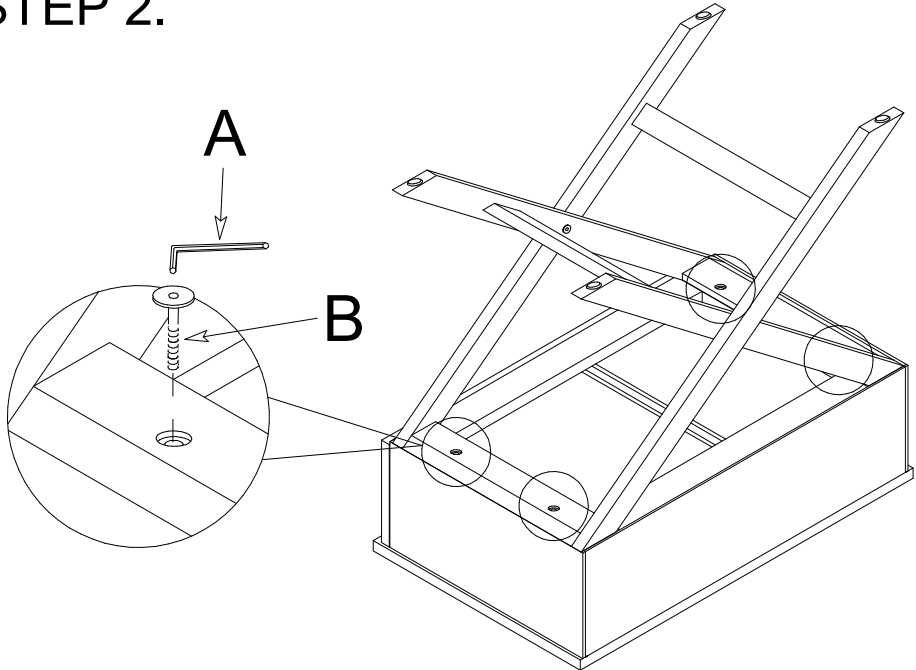
# ASSEMBLY INSTRUCTION

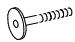

## MODEL: X NIGHT STAND

STEP 1.



STEP 2.



NO	HARDWARE DESCRIPTION		QTY
A.	JCBC Bolt M6 X 30mm		6
B.	Allen Key		1