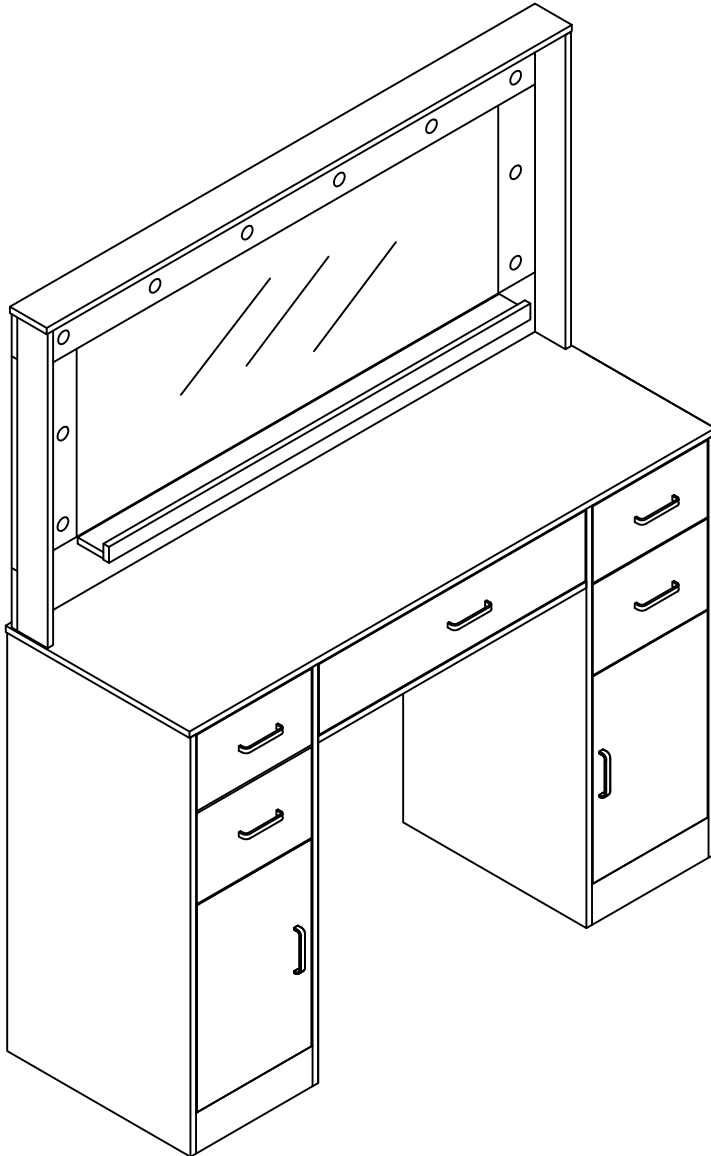


Instruction Book

For specification: 114cm(L)x40cm(W)x137.5cm(H)

Instruction manual



If you have any question, please feel free to contact us

Foreword:

Thank you for choosing our product! We hope you have a good shopping experience! We aim to provide a 100% satisfaction product and customer service. If the received product has missing parts or components, arrived damaged, dissatisfaction with the order, or has questions about the assemble, please do not hesitate to contact us.

Our customer service will reply within 12 hours.

Specifications:

Product name: Makeup Vanity Desk with Lights and Mirror

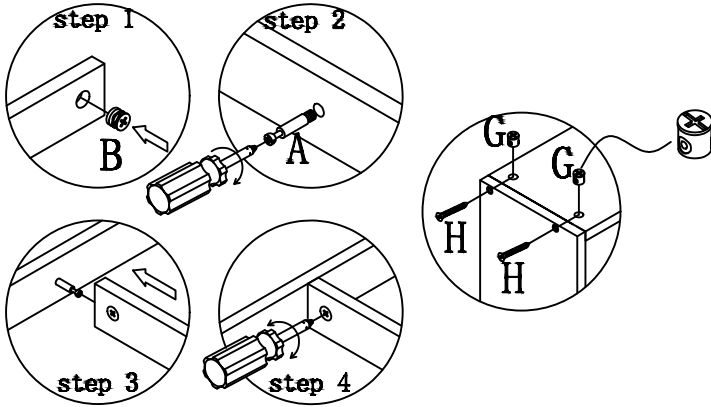
Package Dimension: 48.4x19.1x7.87 in / 123x48.5x20cm

Product Size: 44.9x15.7x54.1 in / 114x40x137.5 cm

















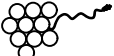

Weight: 95.1lb/43KGS

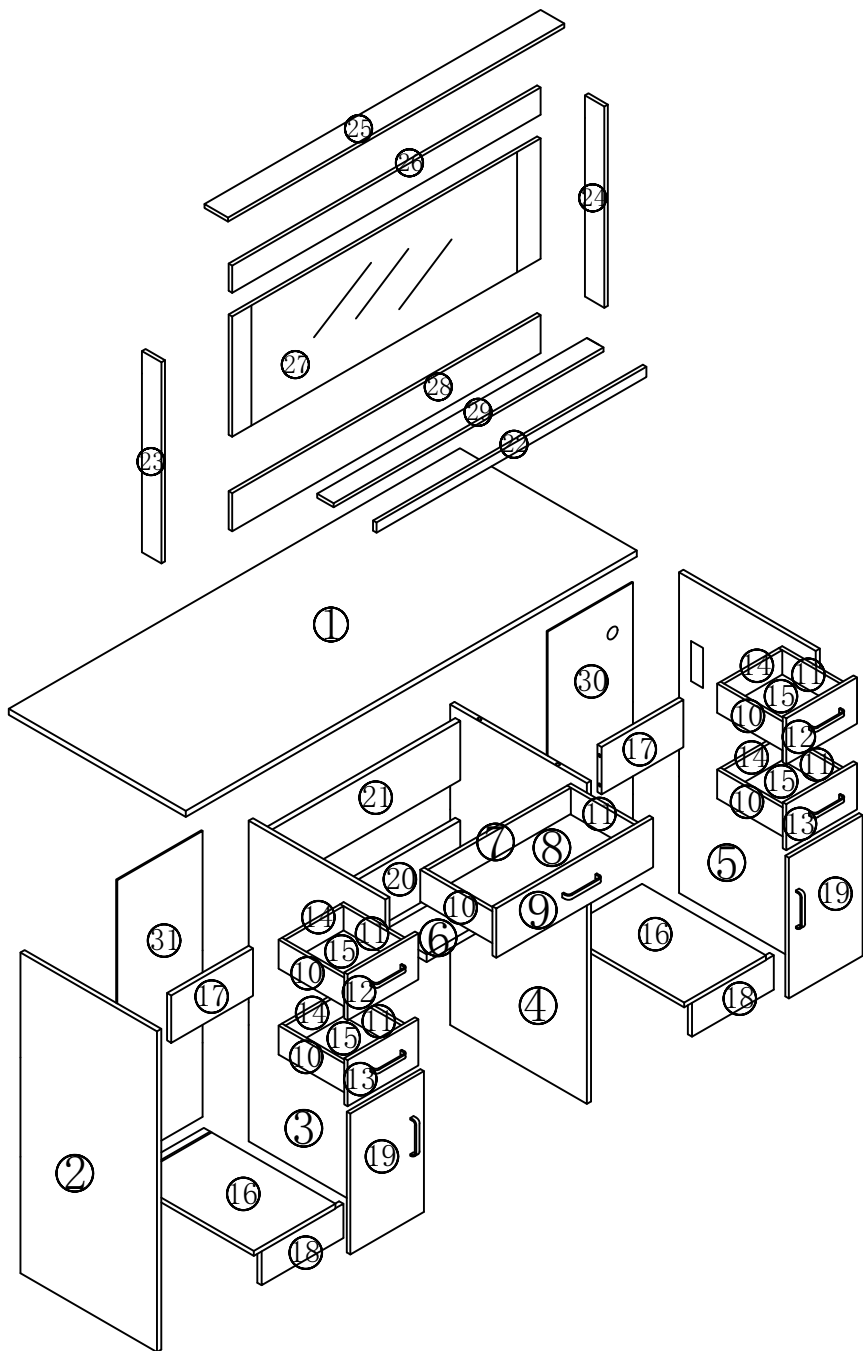
Left cabinet

A, B, G, H, C, D installation guide



Accessories

 Three-in-one screw A*80	 Three-in-one nut B*88	 drawer Track CR*5	 drawer Track DR*5	 drawer Track CL*5	 drawer Track DL*5
 Three-in-one screw A2*8	 Handle B*7	 Handle Screw F*14	 Small Screw D*86	 Two-in-one screw H*8	 Two-in-one nut G*8
 Small Screw X*32	 Door hinges O*4	 Stool foot nail M*8	 usb power Q*1	 Bulb K*1	 screwdriver Z*1
Meikong stickers C*5					



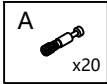
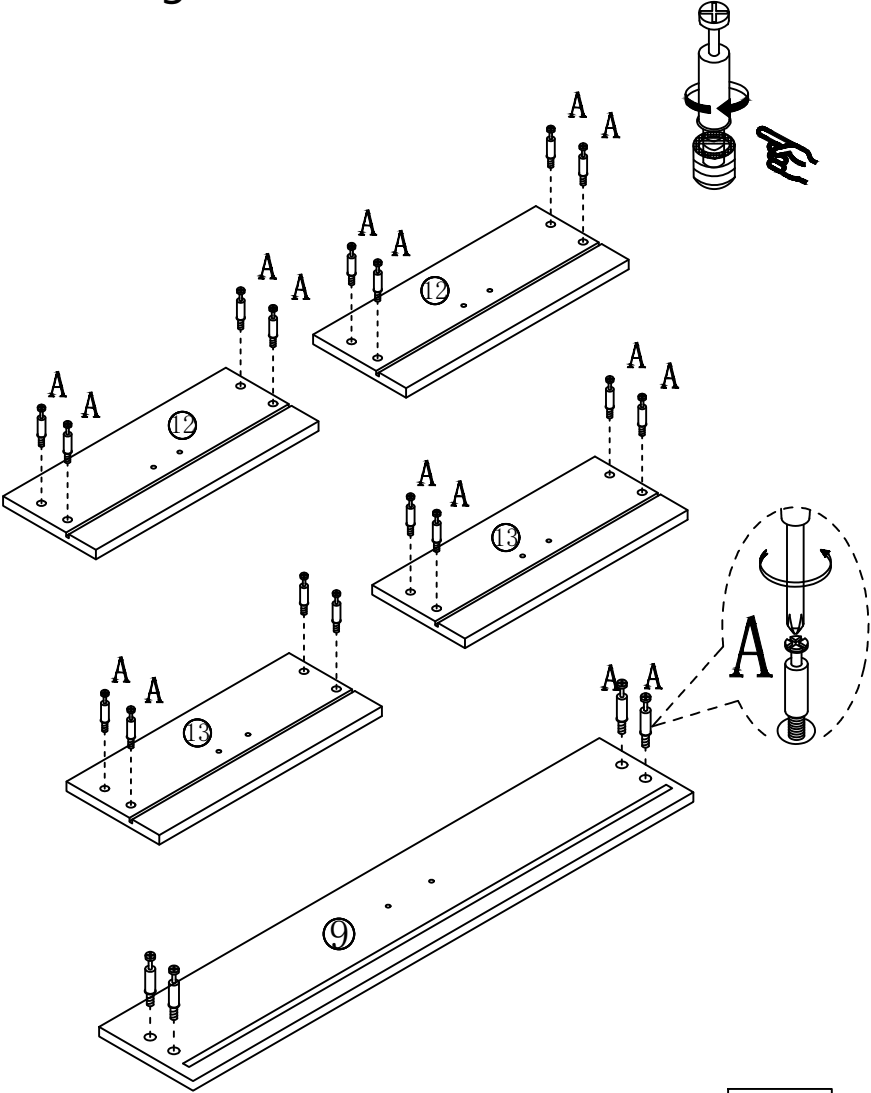
Guidelines for the use of 3-in-1 connecting rods:

The blue screw cap at the bottom of the 3-in-1 connecting rod is twist-able, and it can be twisted clockwise or counterclockwise to fit the size of the reserved holes in the wooden board.

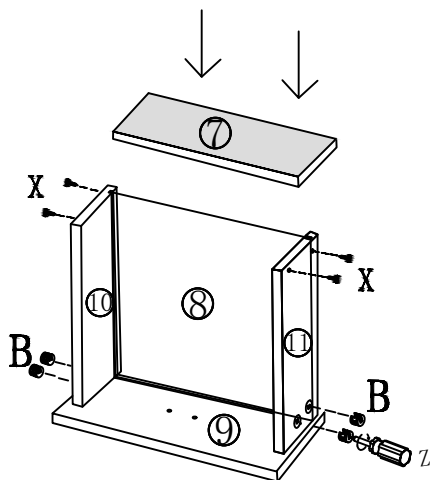
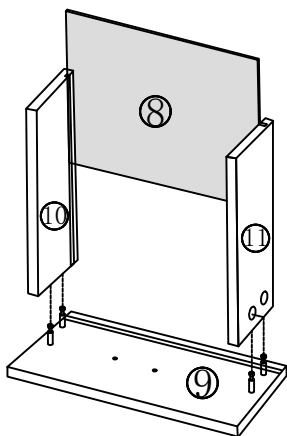
When you use this 3-in-1 connecting rod, if you find that it can't be inserted into the reserved holes on the wooden board, just loosen the blue screw cap a bit until it fits into the holes of the board. Then use a screwdriver to tighten the screws. Note: If the bottom blue screw cap is not stretched apart by the three-in-one connecting rod in the reserved hole, the connected part will appear unstable .

STEP 1

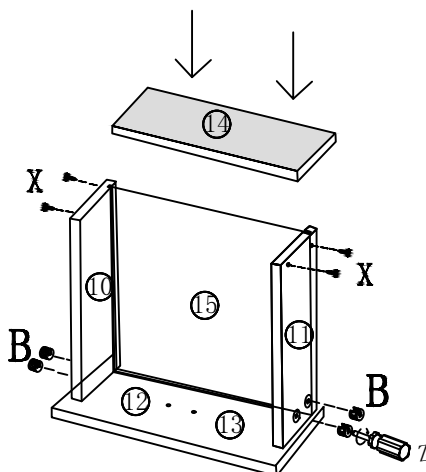
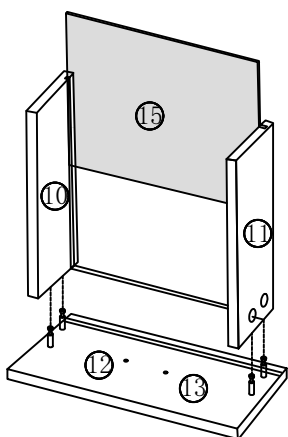
Put it into the reserved holes and tighten the screw



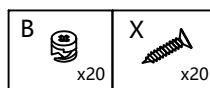
STEP 2



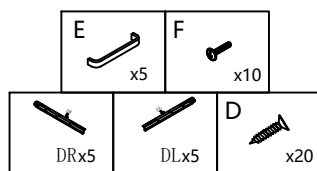
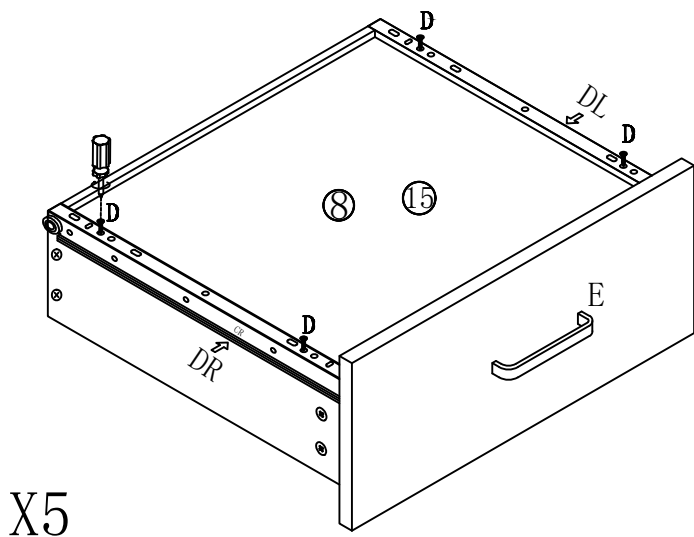
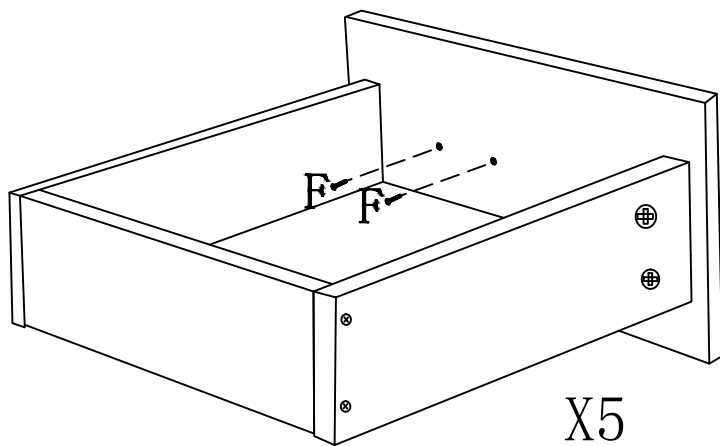
X1



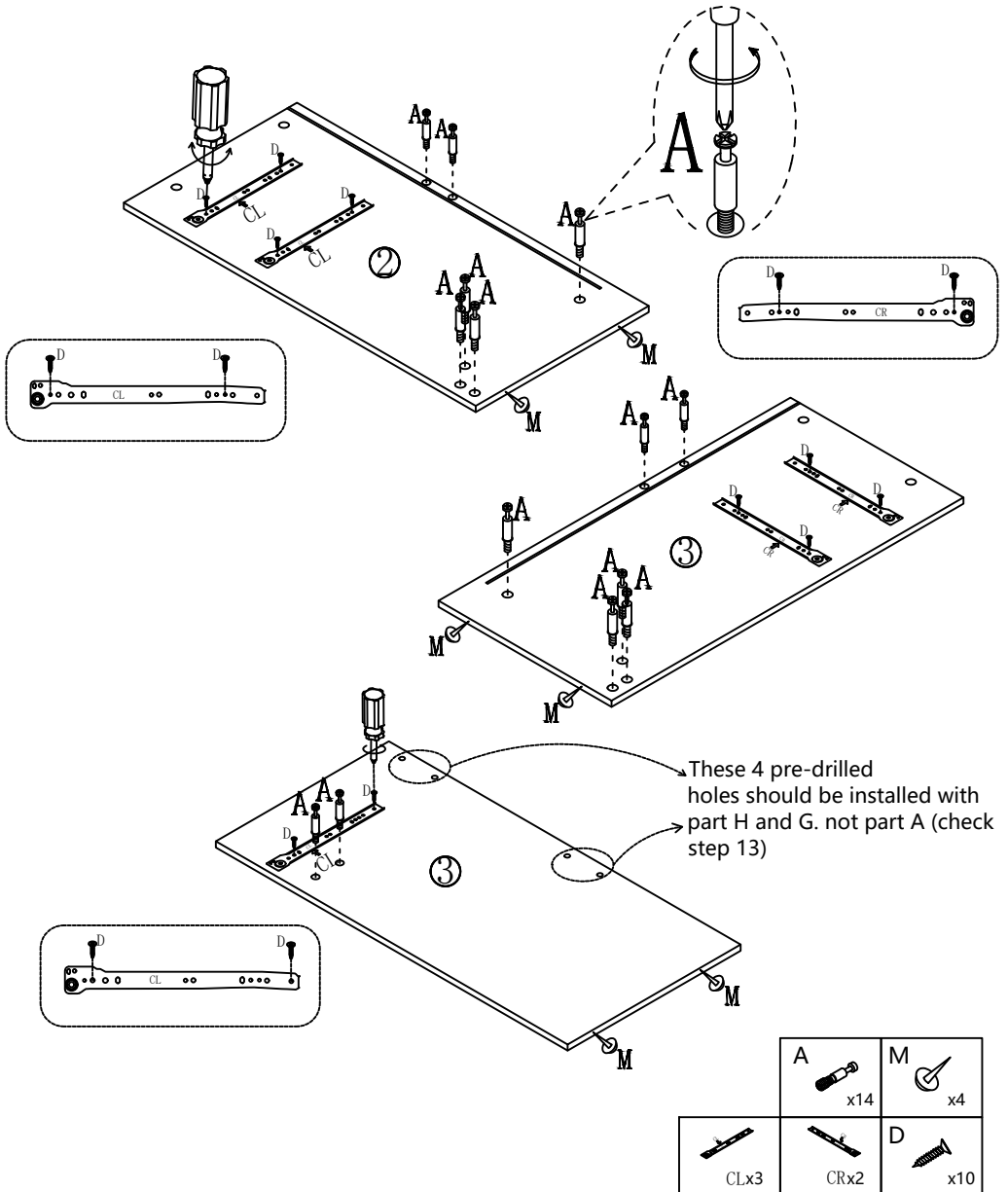
X4



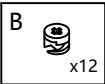
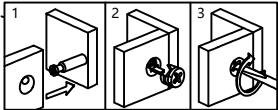
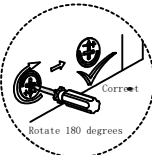
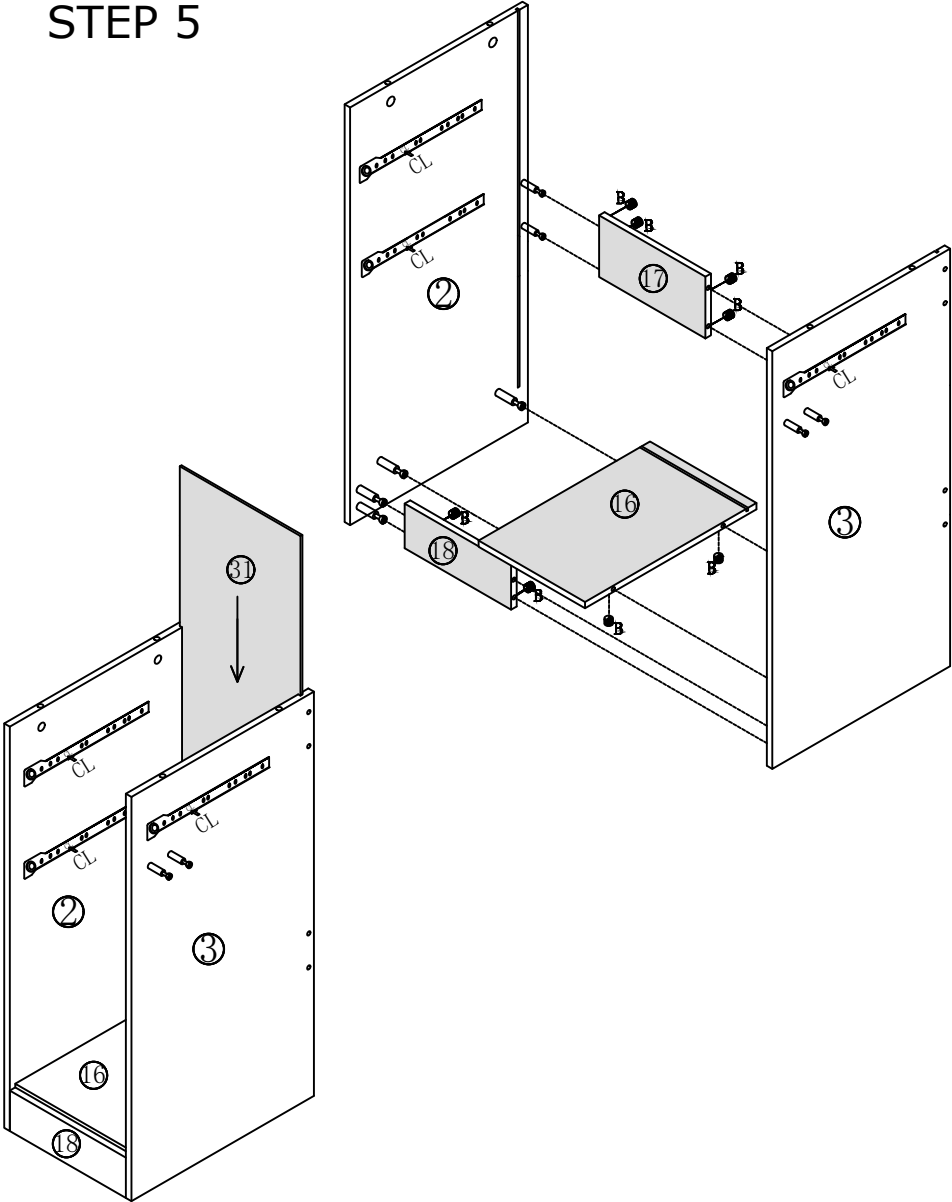
STEP 3



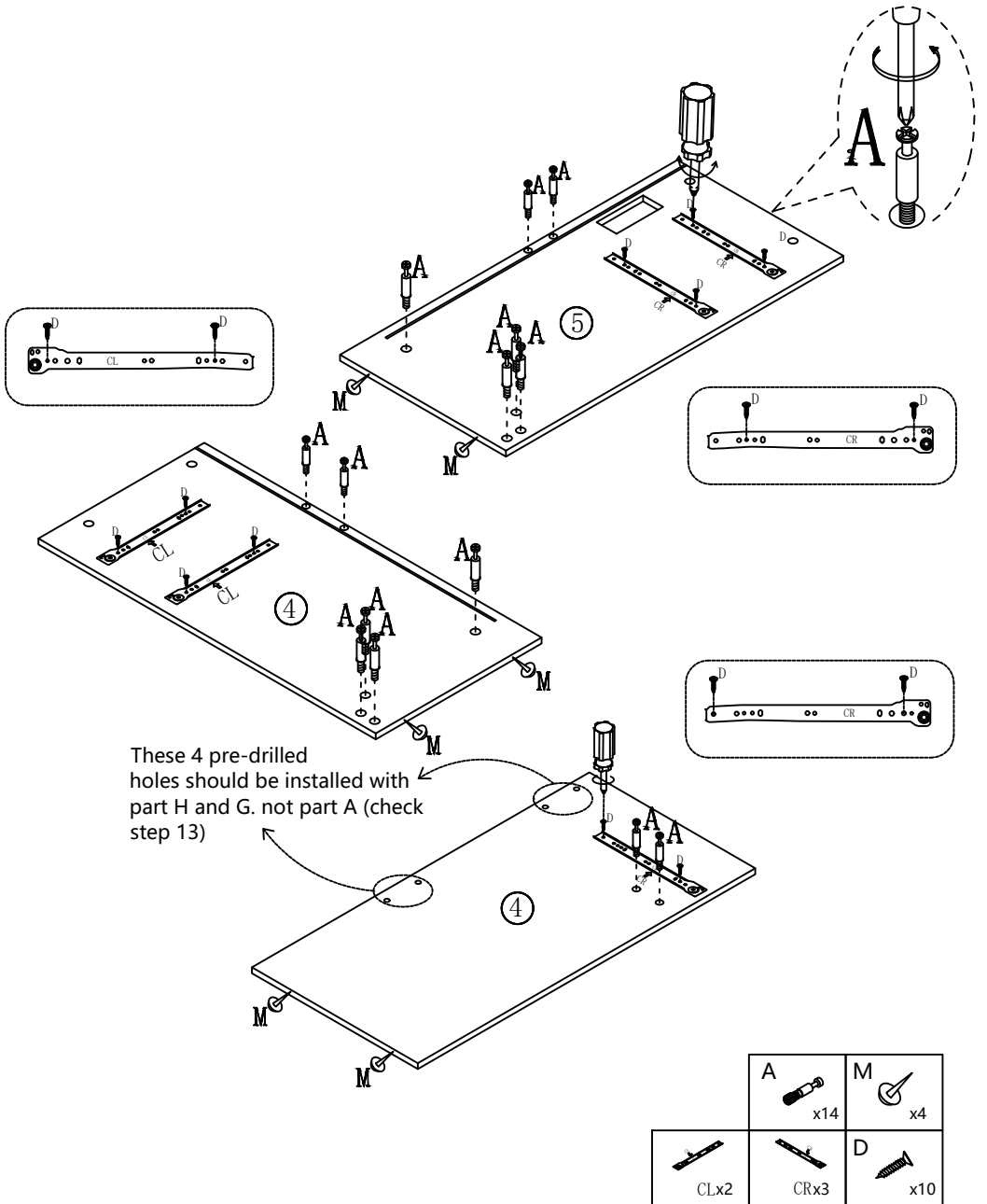
STEP 4



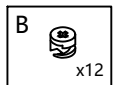
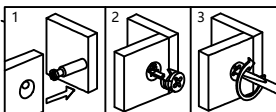
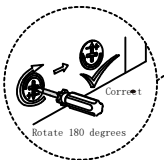
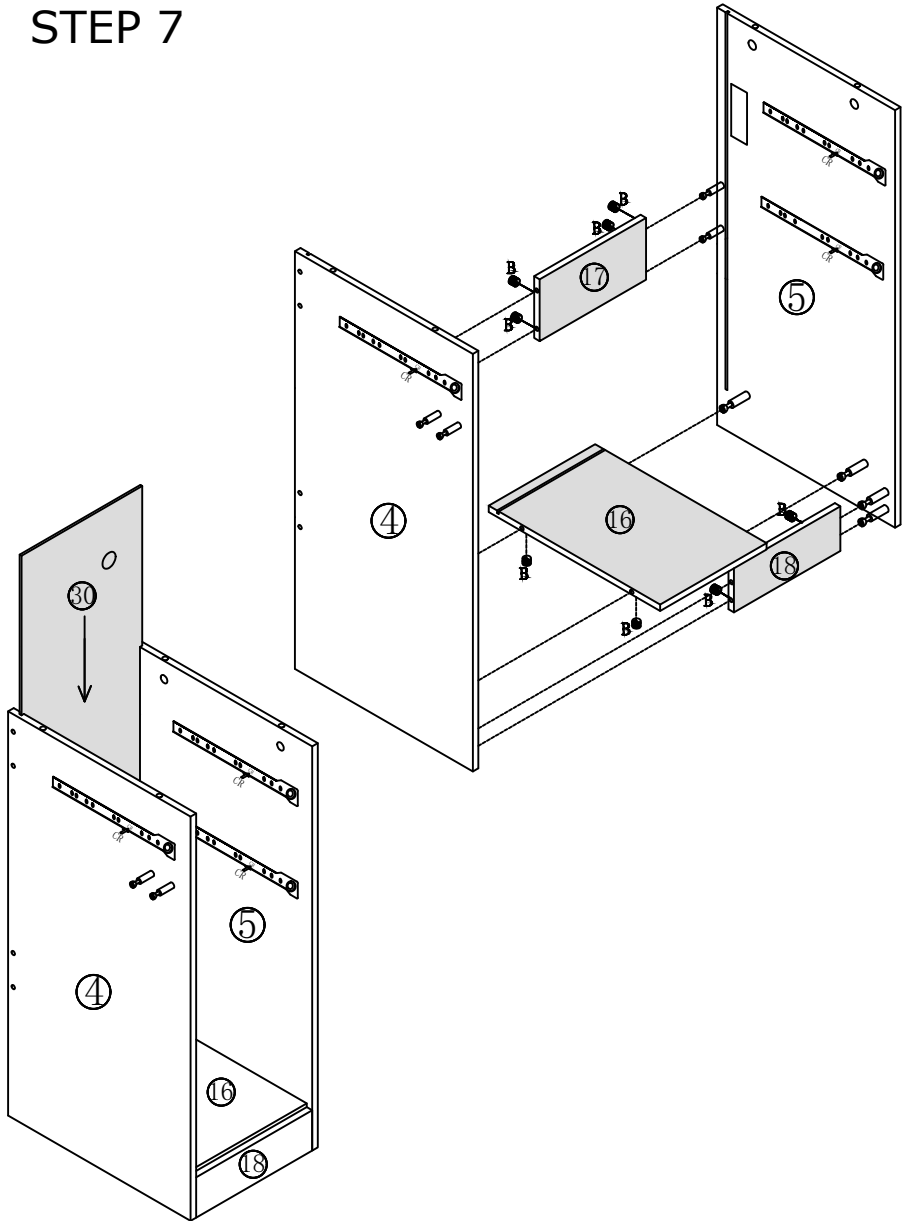
STEP 5



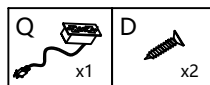
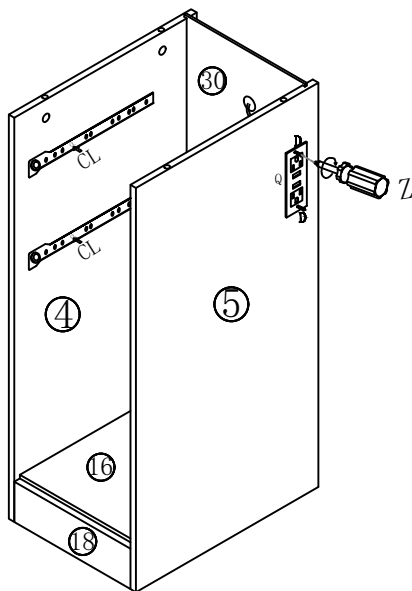
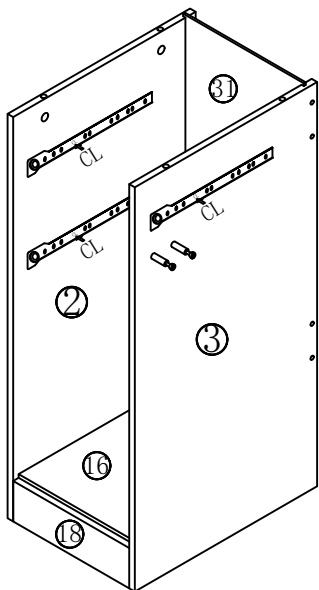
STEP 6



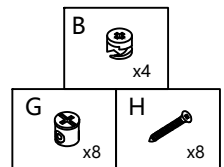
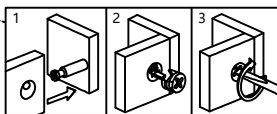
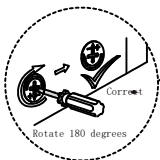
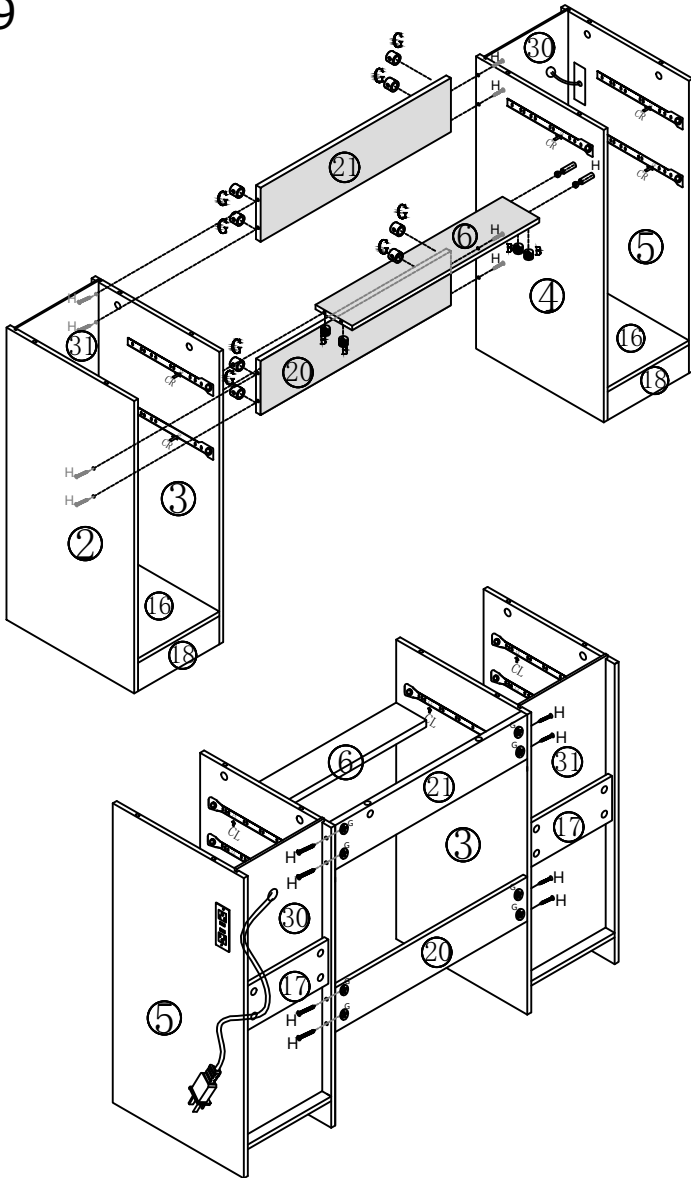
STEP 7



STEP 8

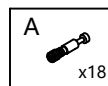
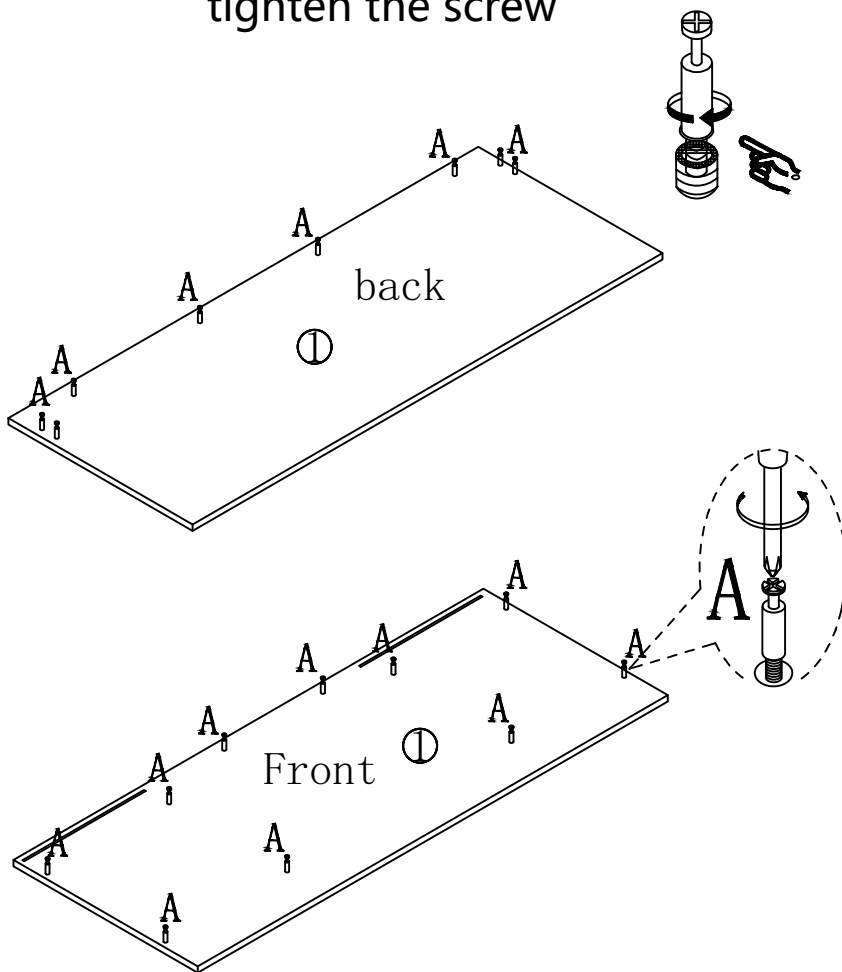


STEP 9

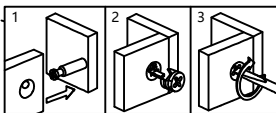
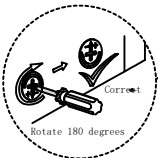
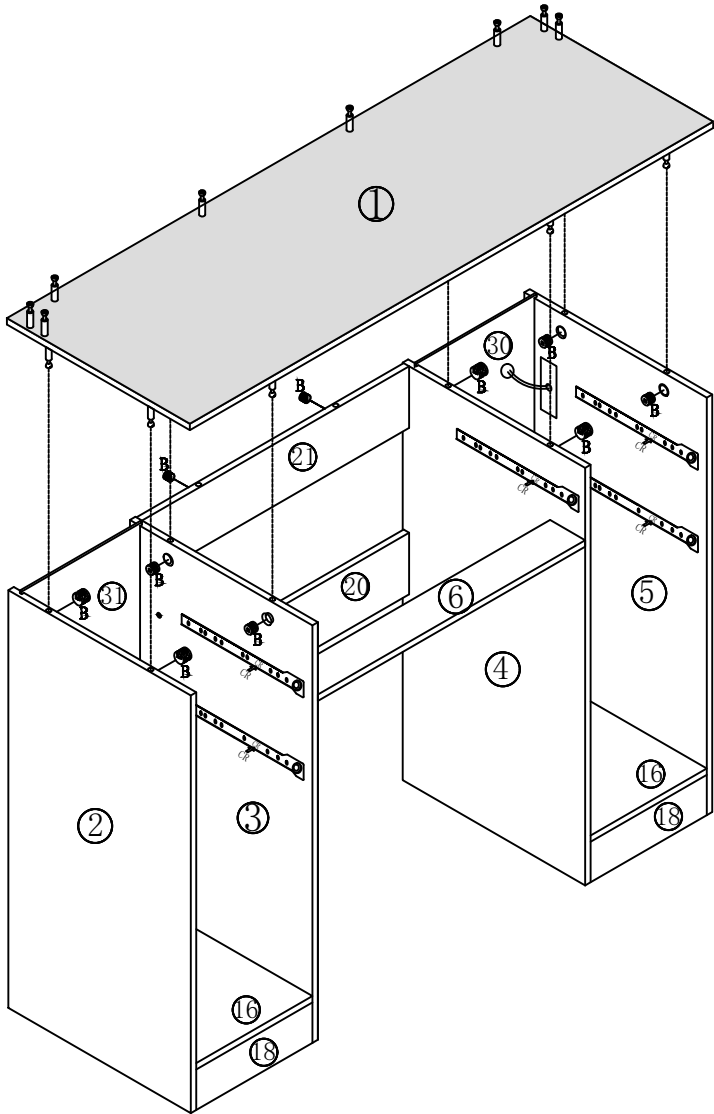


STEP 10

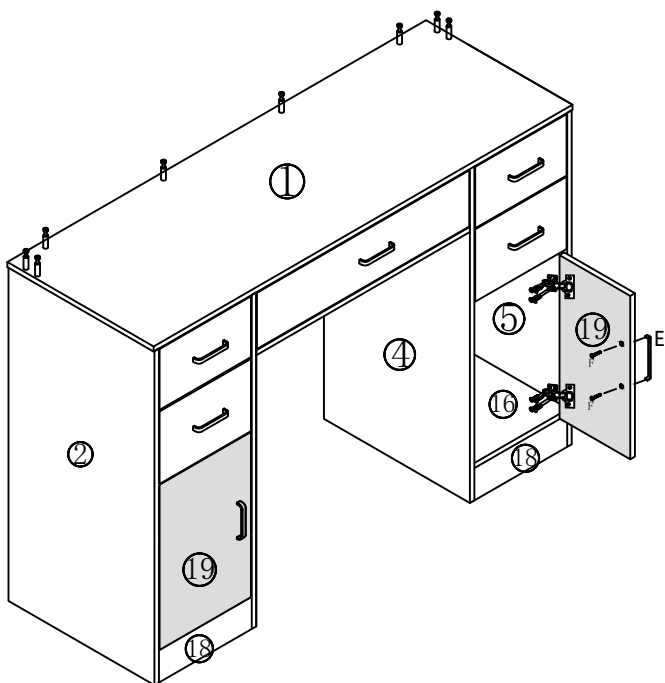
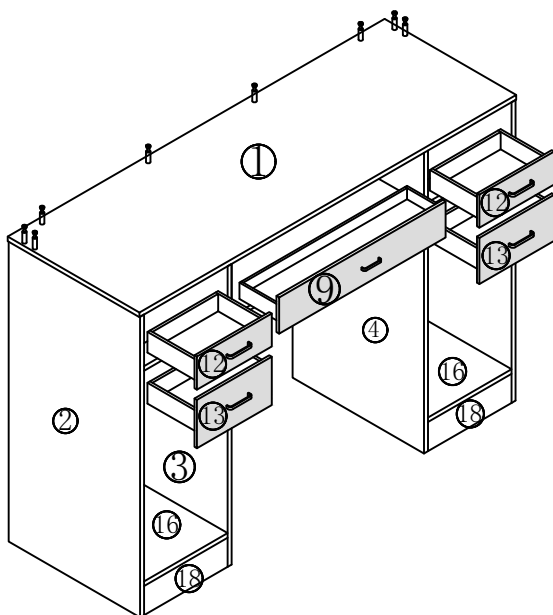
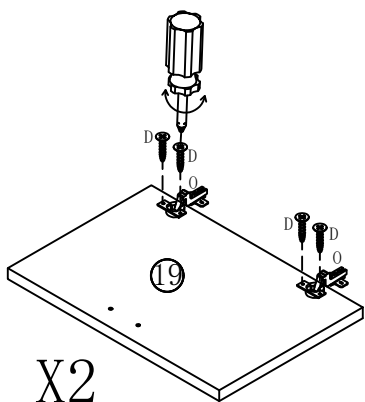
Put it into the reserved holes and tighten the screw



STEP 11

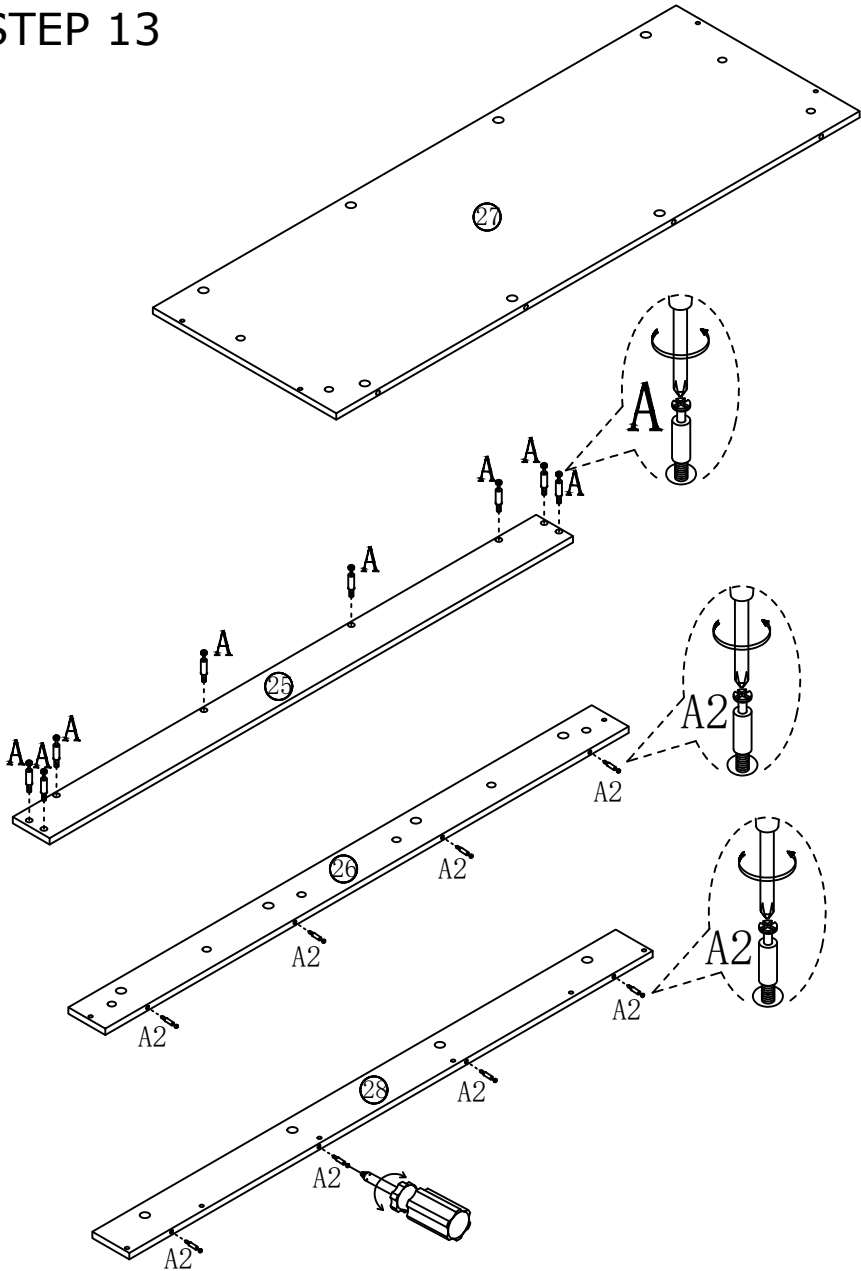




STEP 12



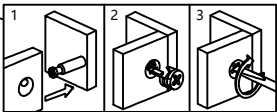
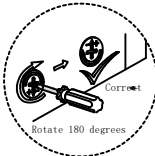
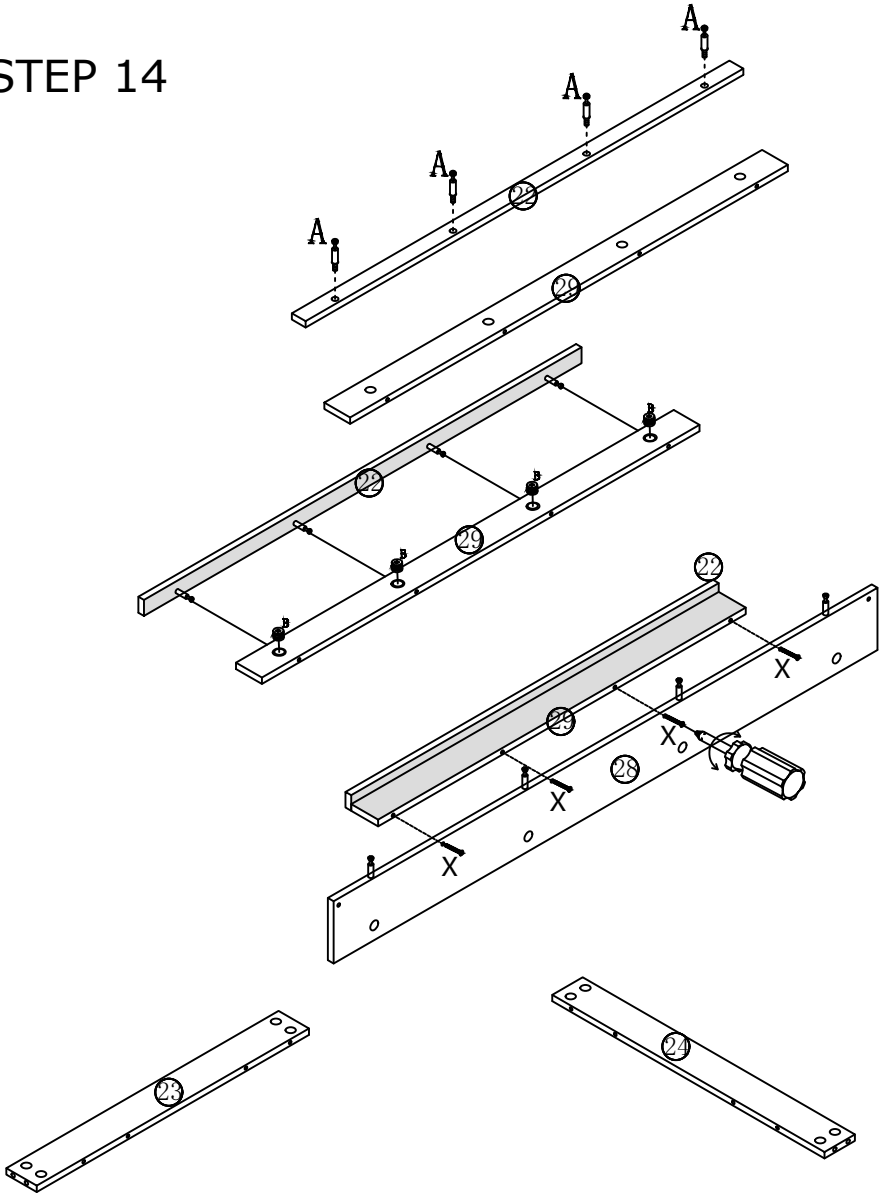
O	D
x4	x24
E	F
x2	x4




STEP 13



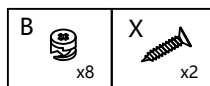
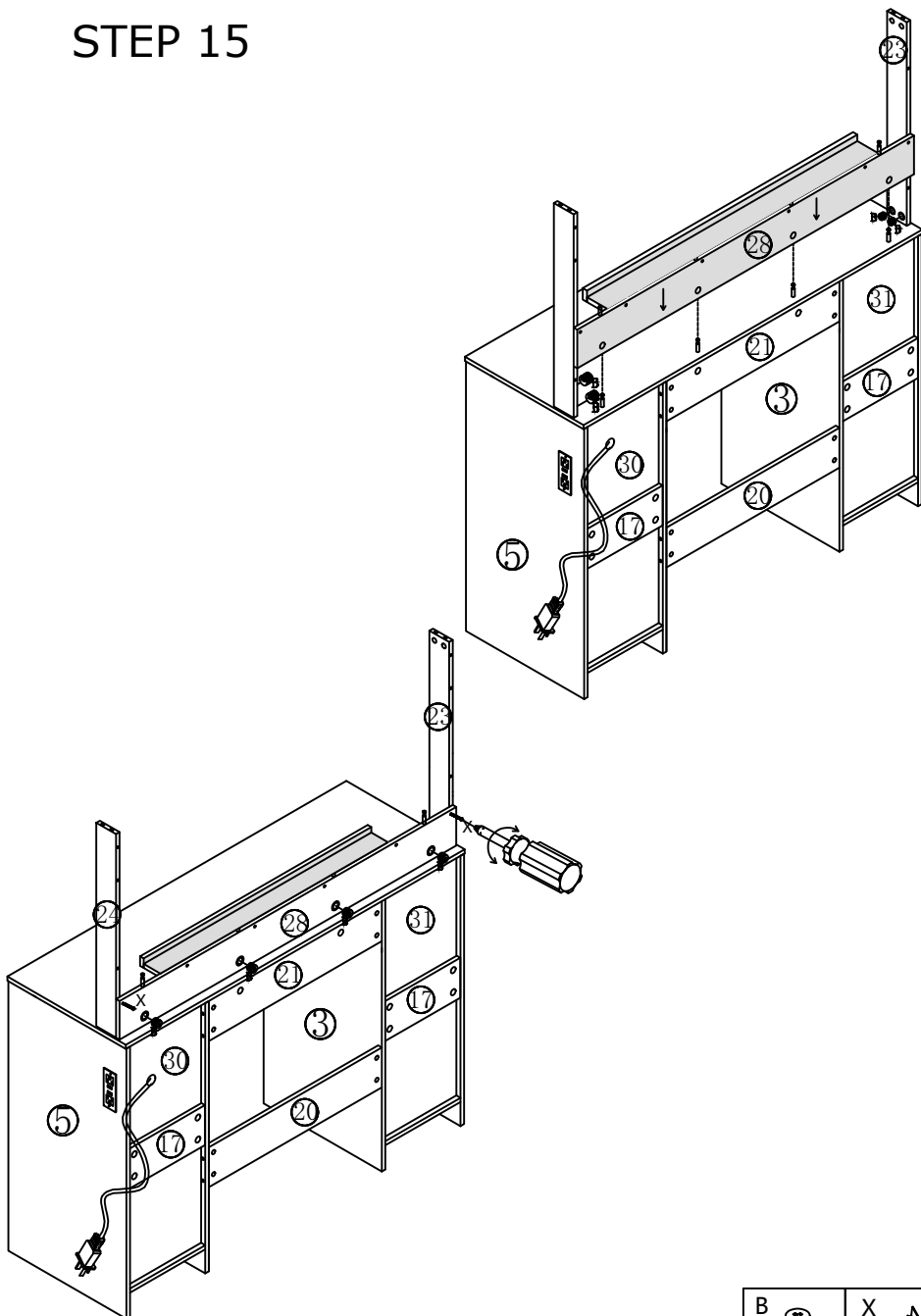
A	A2
	
x8	x8

STEP 14

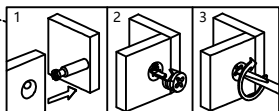
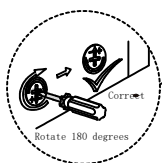
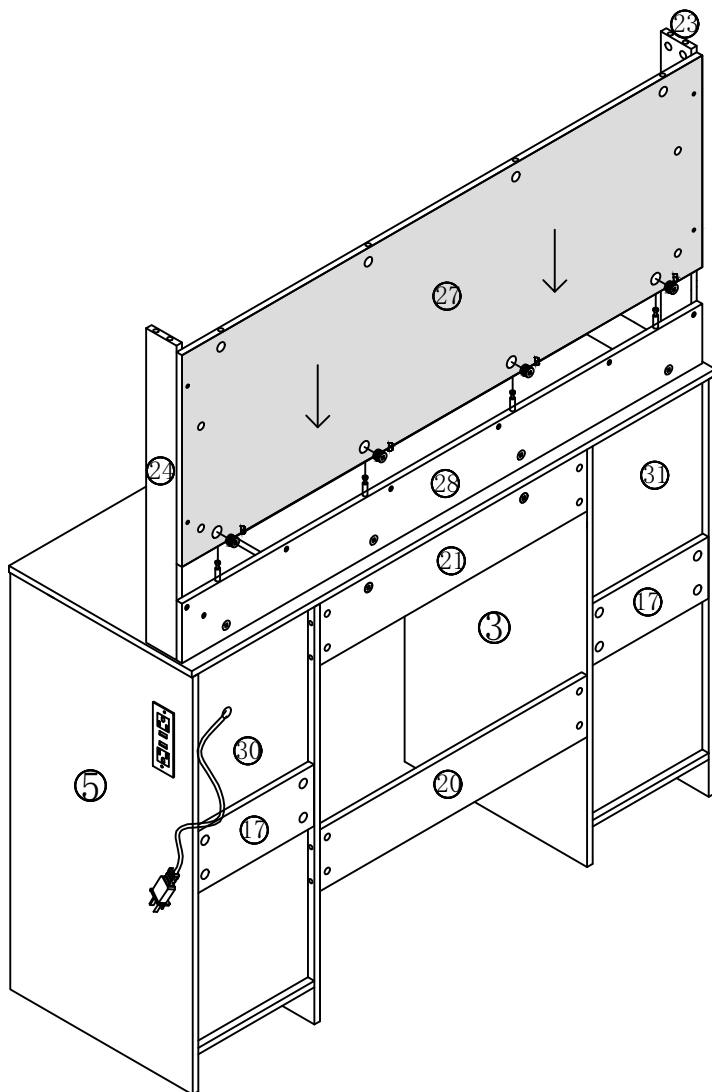


 X x4	
 A x4	 B x4

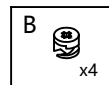
STEP 15



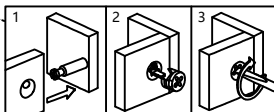
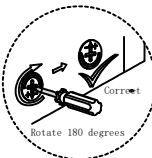
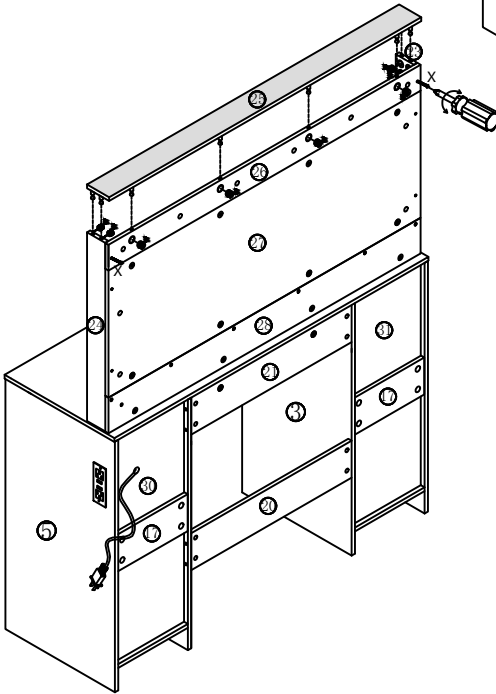
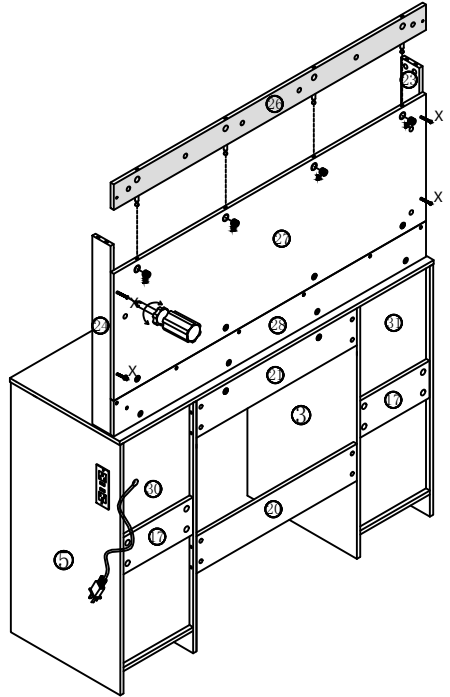
STEP 16



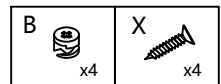
20



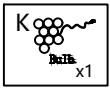
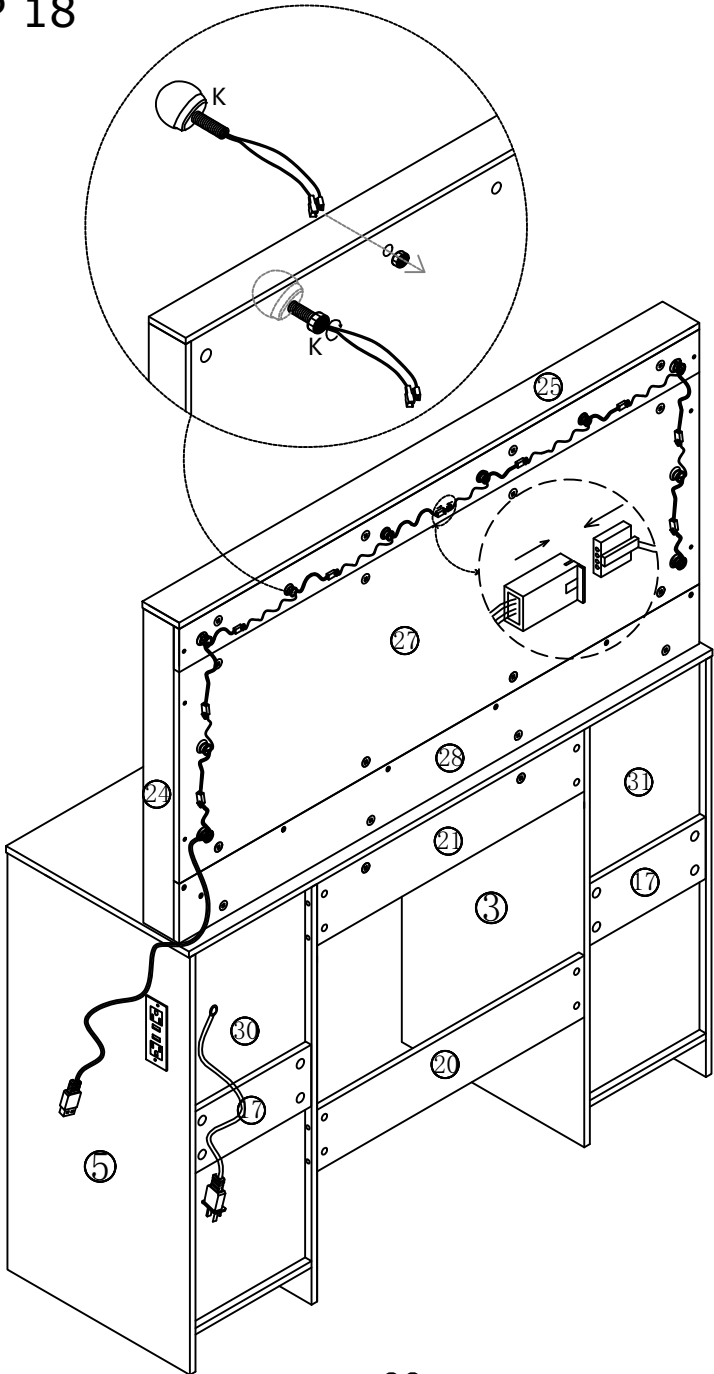
STEP 17



21



STEP 18



STEP 19

