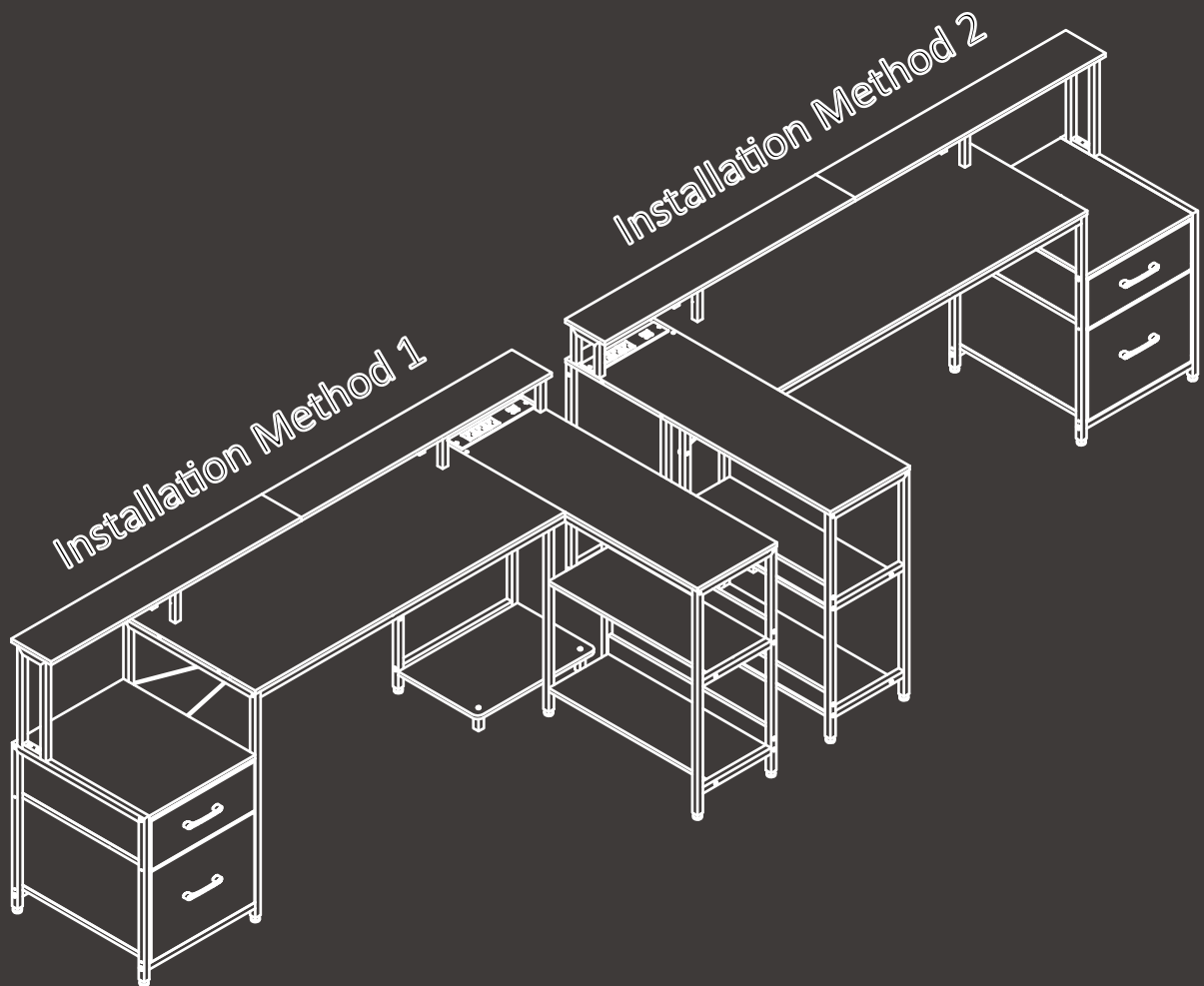
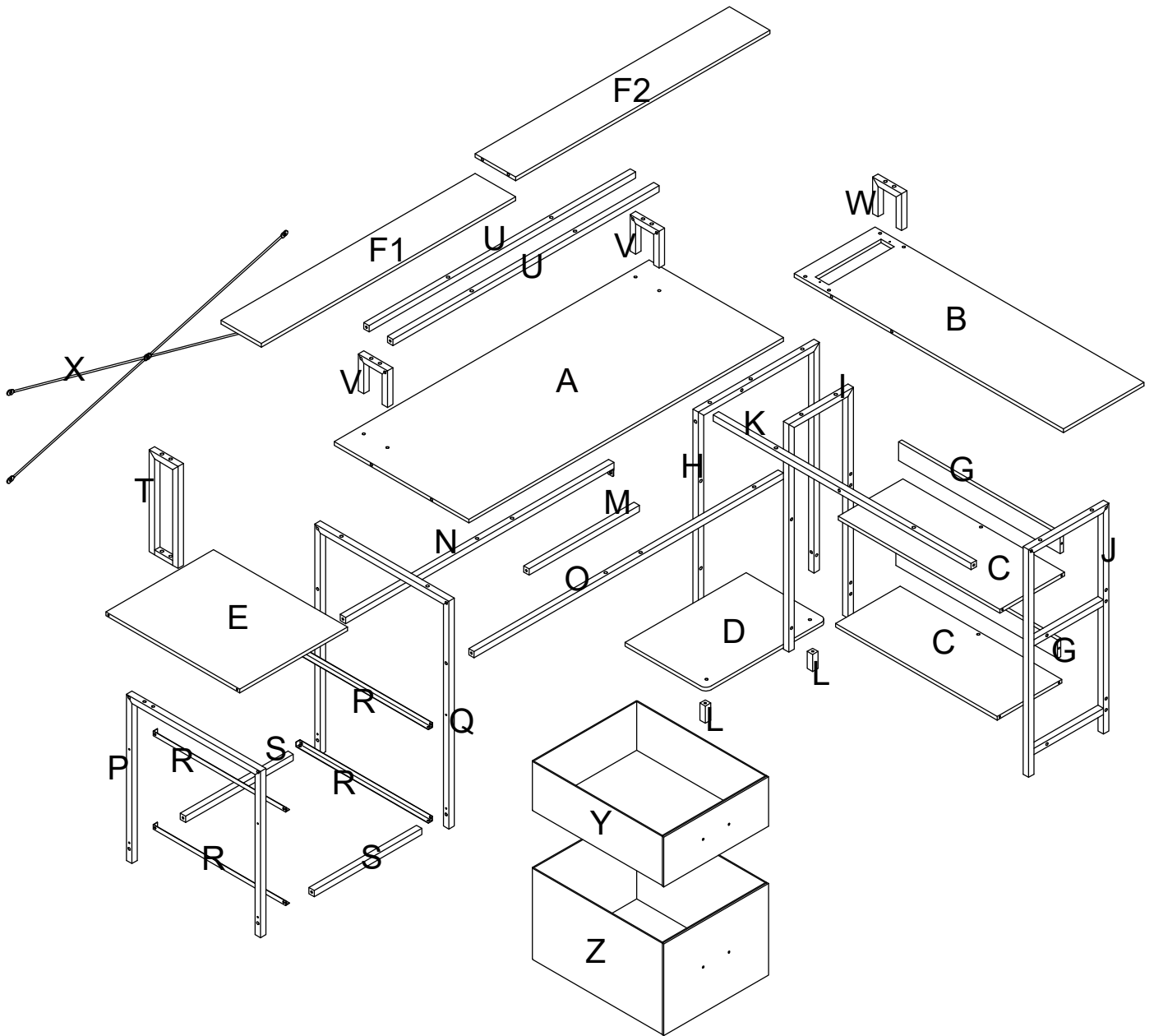


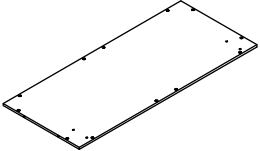
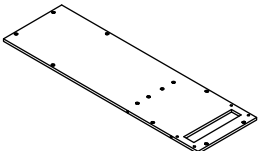
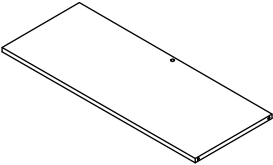
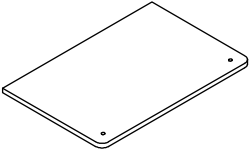
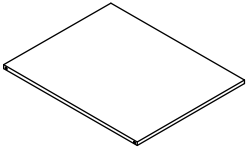
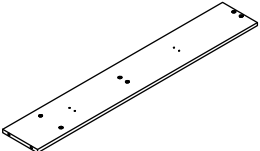
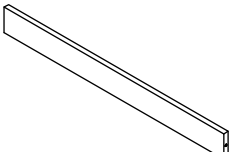
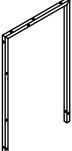
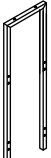
Computer Desk Instruction Manual



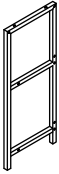
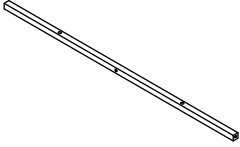
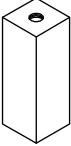
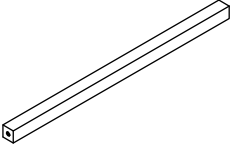
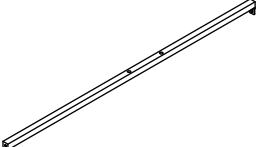
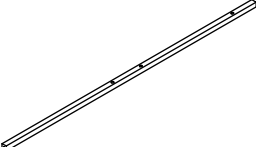
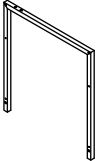
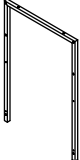
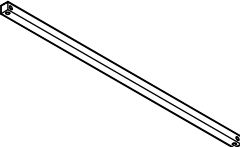
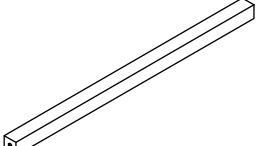
DISASSEMBLY DIAGRAM



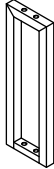
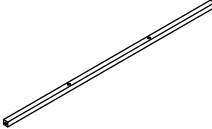
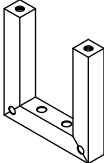
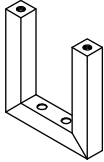
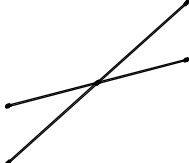
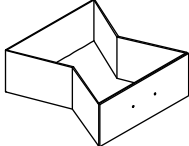
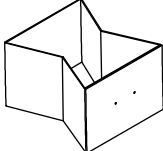
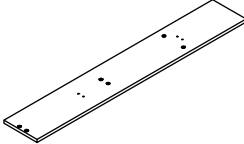
PARTS AND HARDWARE LIST

#		QTY.
A		1
B		1
C		2
D		1
E		1
F1		1
G		2
H		1
I		1

PARTS AND HARDWARE LIST

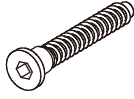
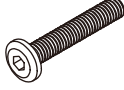

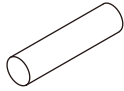
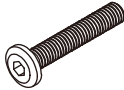

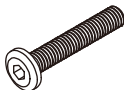
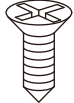
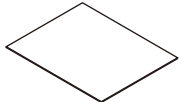
#		QTY.
J		1
K		1
L		2
M		1
N		1
O		1
P		1
Q		1
R		4
S		2

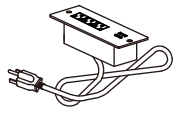
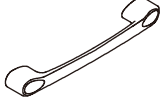





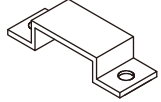
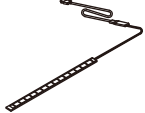
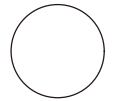
PARTS AND HARDWARE LIST

#		QTY.
T		1
U		2
V		2
W		1
X		1
Y		1
Z		1
F2		1

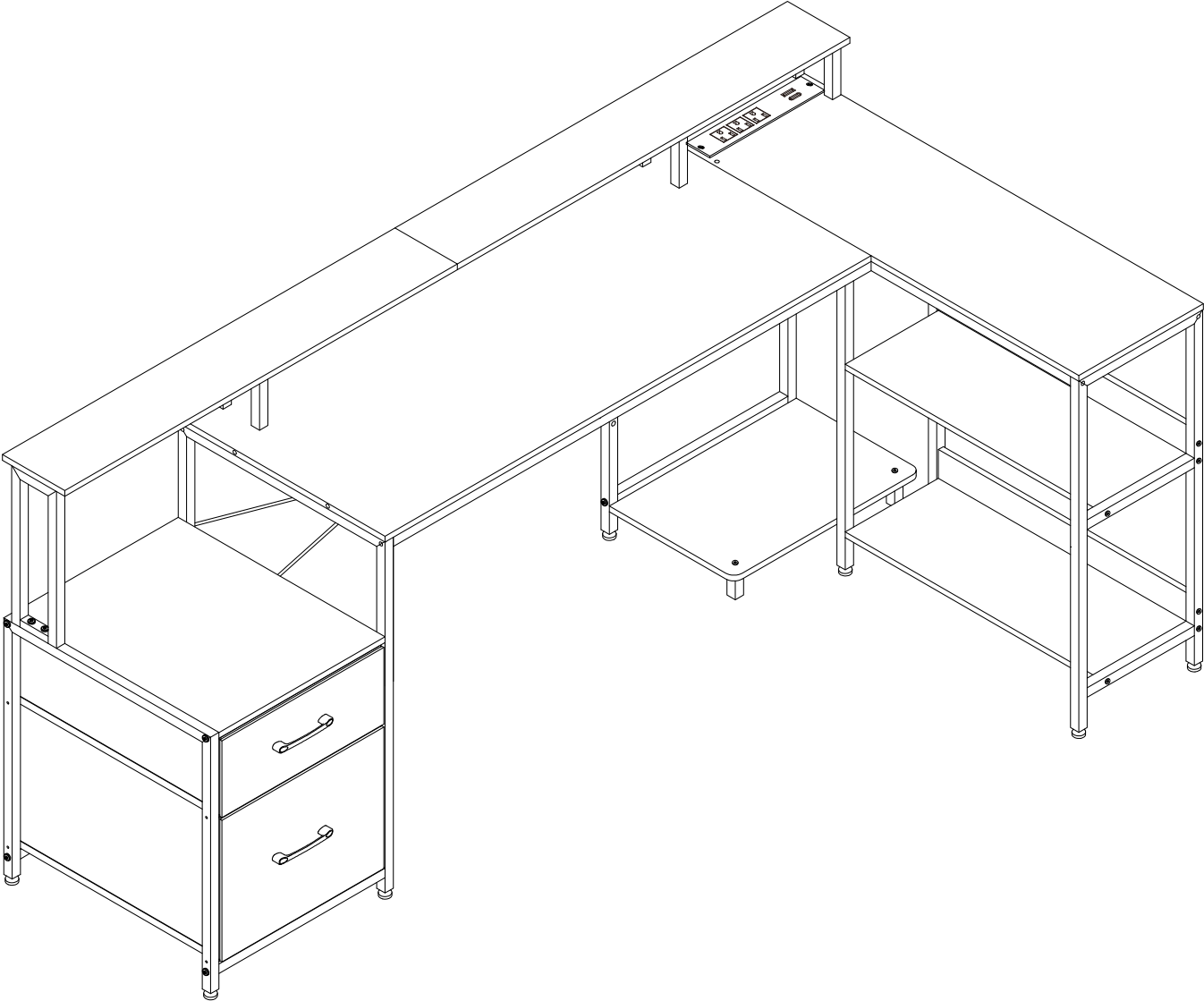
ACCESSORIES LIST

EXTRA HARDWARE INCLUDED FOR YOUR CONVENIENCE, ITEMS ARE NOT SHOWN TO SCALE.

#	DESCRIPTON		QTY
①	M6 x 50mm		x20
②	M6 x 35mm		x21
③	M6 x 12mm		x5
④	Wooden Dowel		x4
⑤	M6 x 28mm		x28
⑥	Foot pad		x10
⑦	M6 x 45mm		x2
⑧	T3.5 x 10mm		x14
⑨	Drawer panel		x2

#	DESCRIPTON		QTY
⑩	Socket		x1
⑪	Handle		x2
⑫	Nut		x2
⑬	M4 x 8mm		x12
⑭	Wrench		x1
⑮	Allen Wrench		x1
⑯	Screwdriver		x1
⑰	Snap		x6
⑱	Light strip		x1
⑲	Round sticker		x5

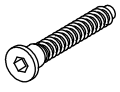
Assembly Method 1



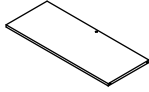
ASSEMBLY INSTRUCTION

STEP 1

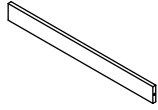
Connect the C board to the G board with ① screw and tighten the screws.



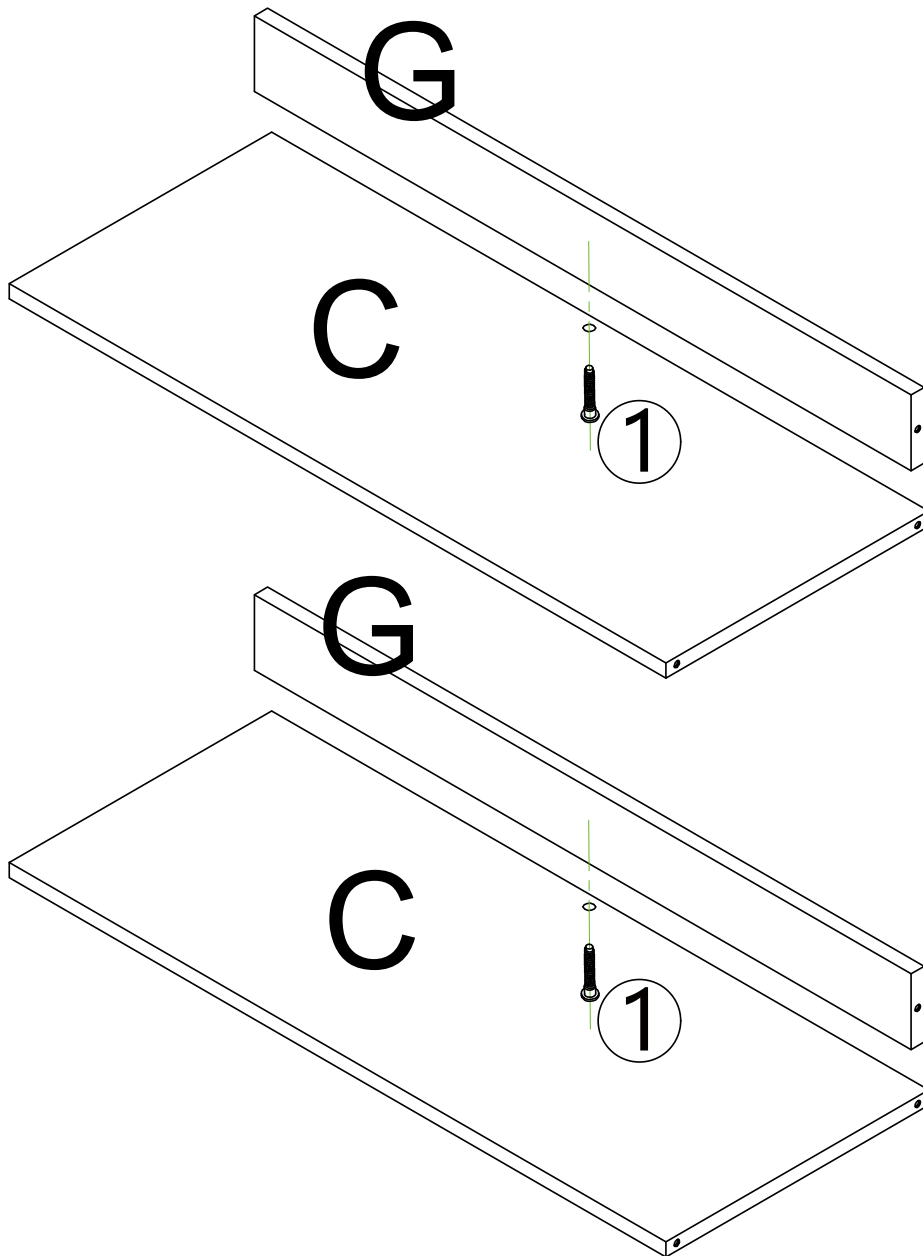
① x 2



C x 2



G x 2



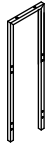
ASSEMBLY INSTRUCTION

STEP 2

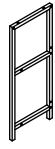
Connect the I and J frame to the C and G boards with **①** screw and tighten the screws.



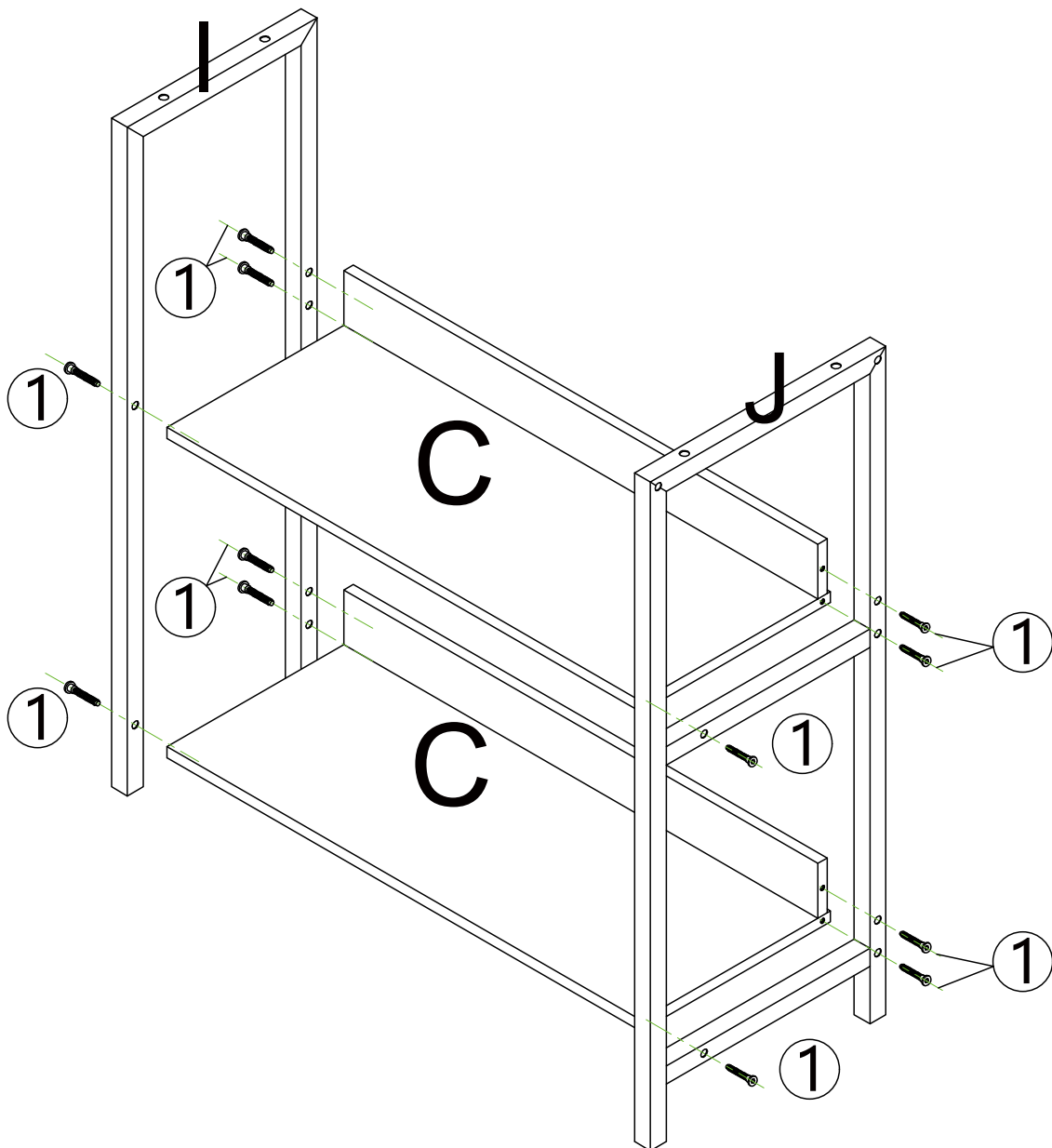
① x 12



I x 1



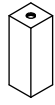
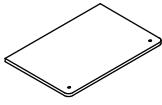
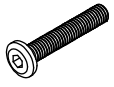
J x 1



ASSEMBLY INSTRUCTION

STEP 3

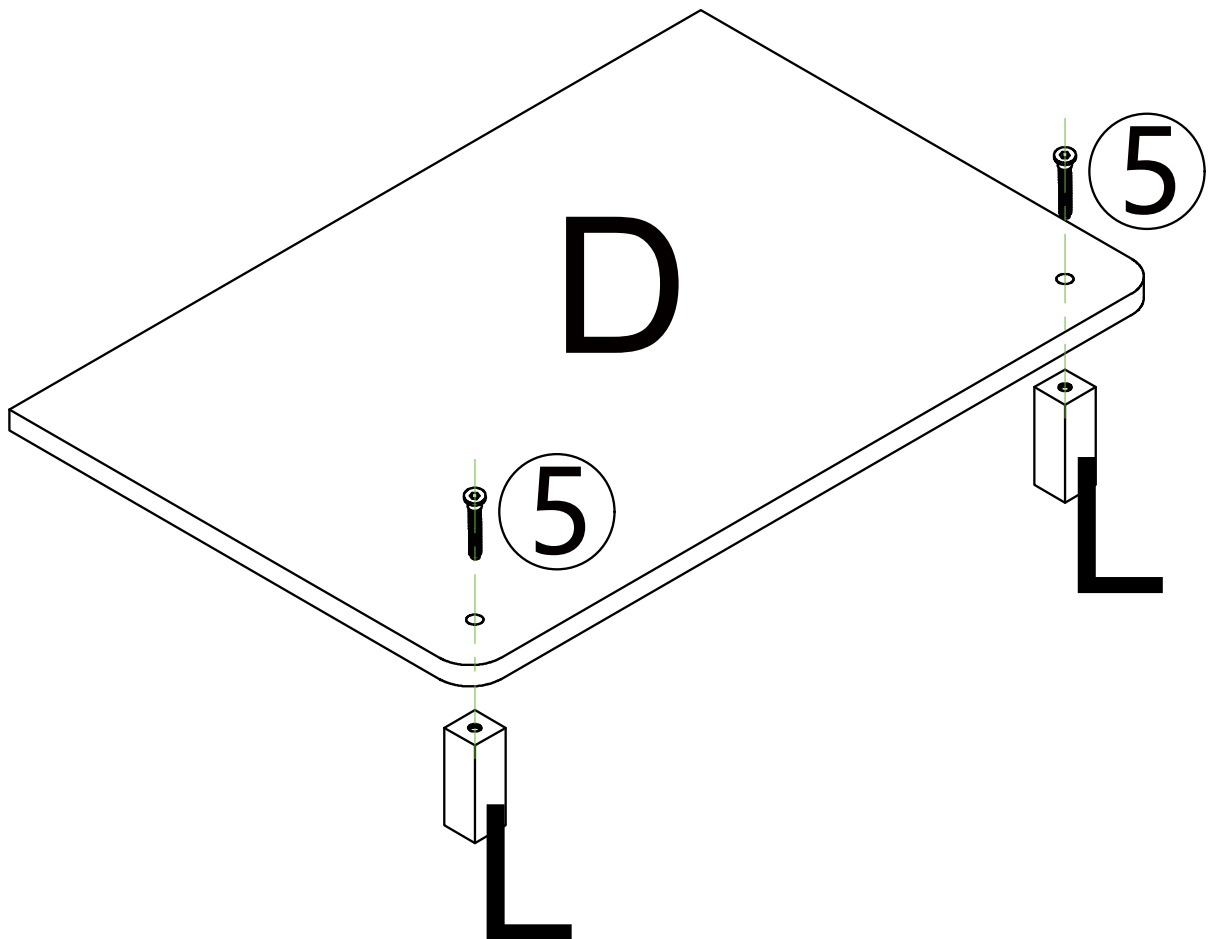
Connect the L square tube to the D board with ⑤ screw and tighten the screw.



⑤ x 2

D x 1

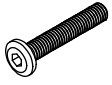
L x 2



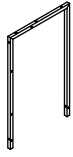
ASSEMBLY INSTRUCTION

STEP 4

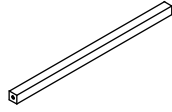
Connect the M square tube to H with the ② screw and tighten the screw.



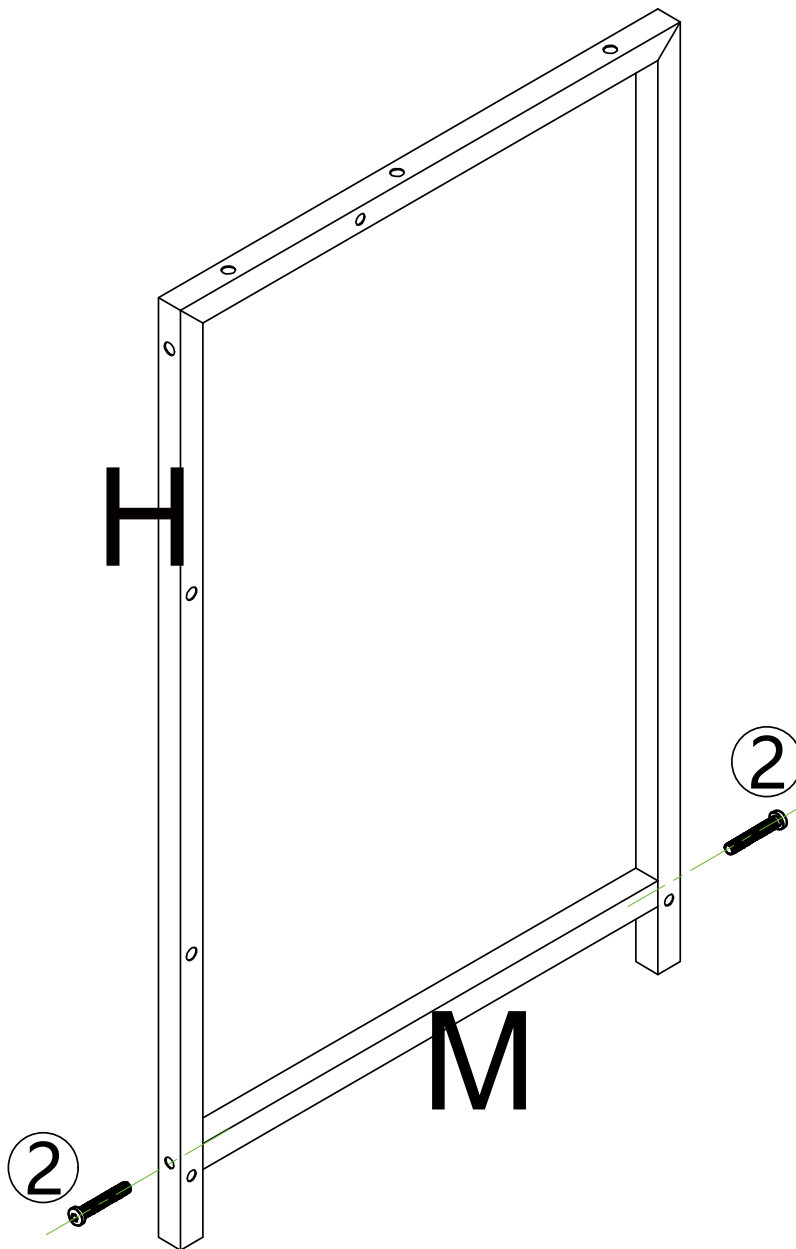
② x 2



H x 1



M x 1



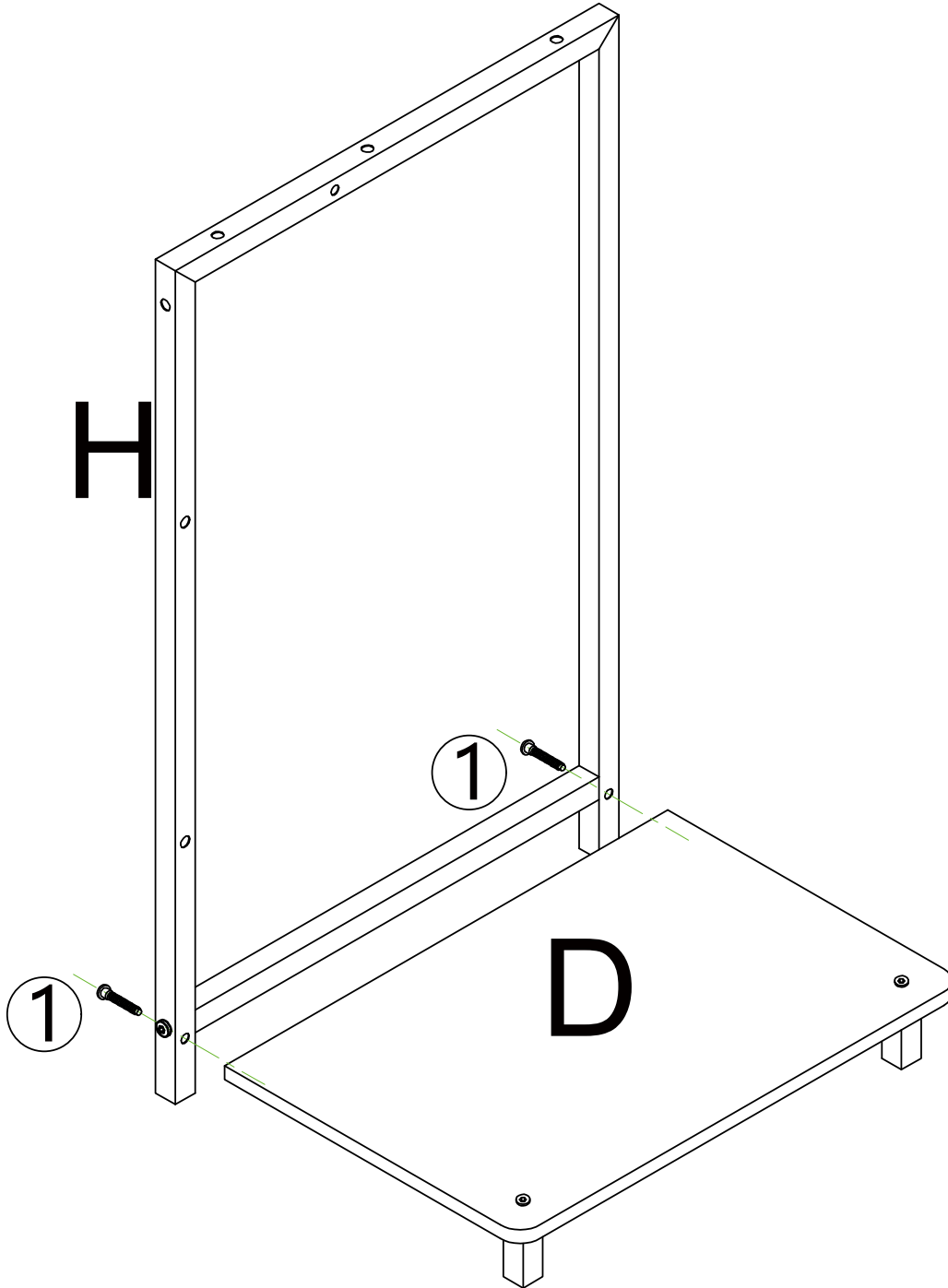
ASSEMBLY INSTRUCTION

STEP 5

Use screw ① to connect the assembled D and H, and tighten the screws.



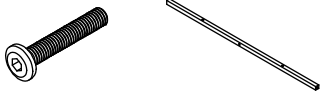
① x 2



ASSEMBLY INSTRUCTION

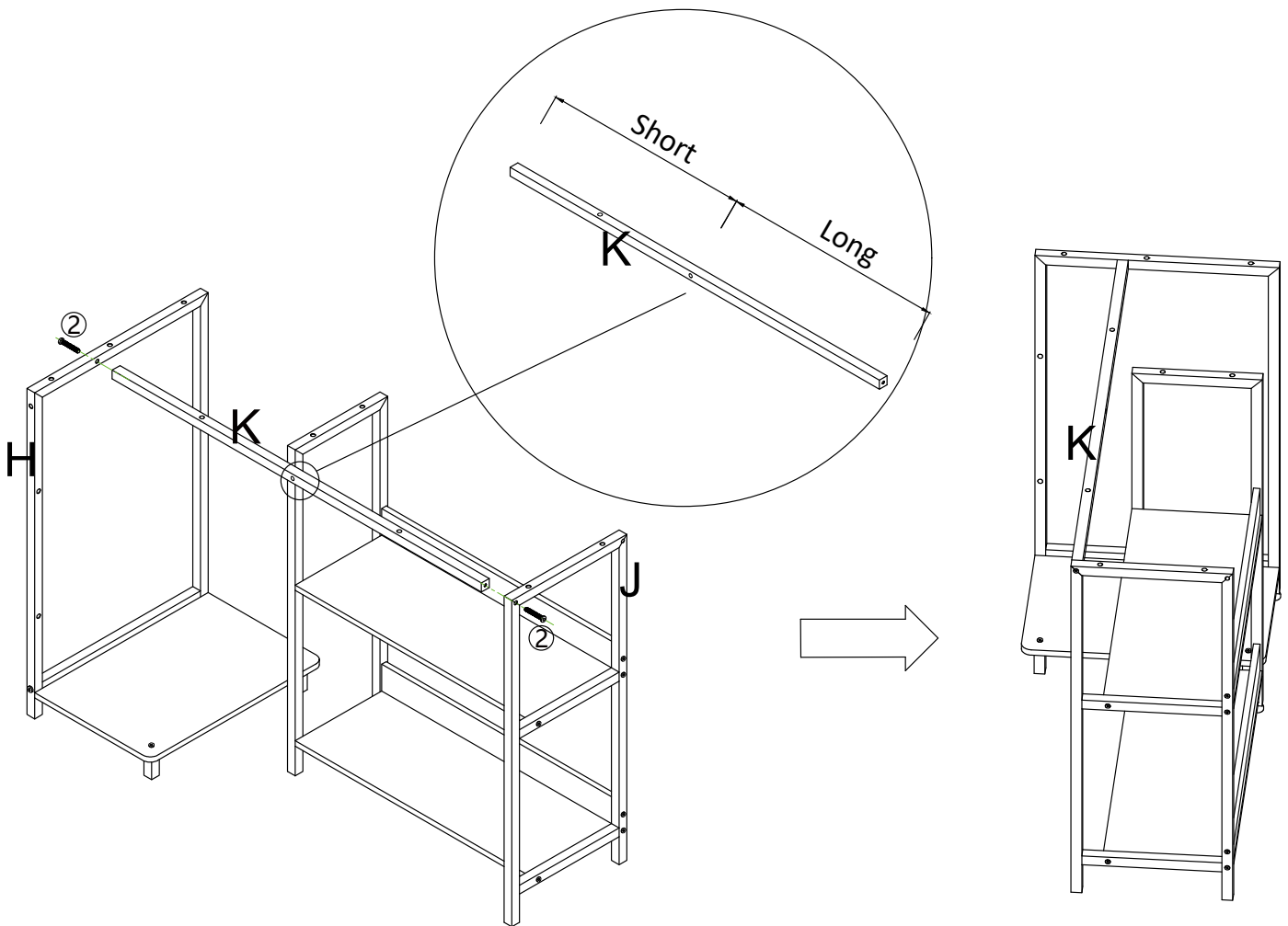
STEP 6

Connect the K square tube to J and H using the ② screw and tighten the screw.



② x 2 K x 1

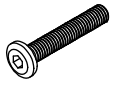
The distance between the two ends of K square tube and the length of the middle hole are different



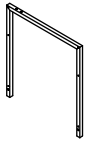
ASSEMBLY INSTRUCTION

STEP 7

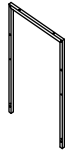
Connect the S square tube to Q and P using the ② screw and tighten the screw.



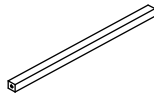
② x 4



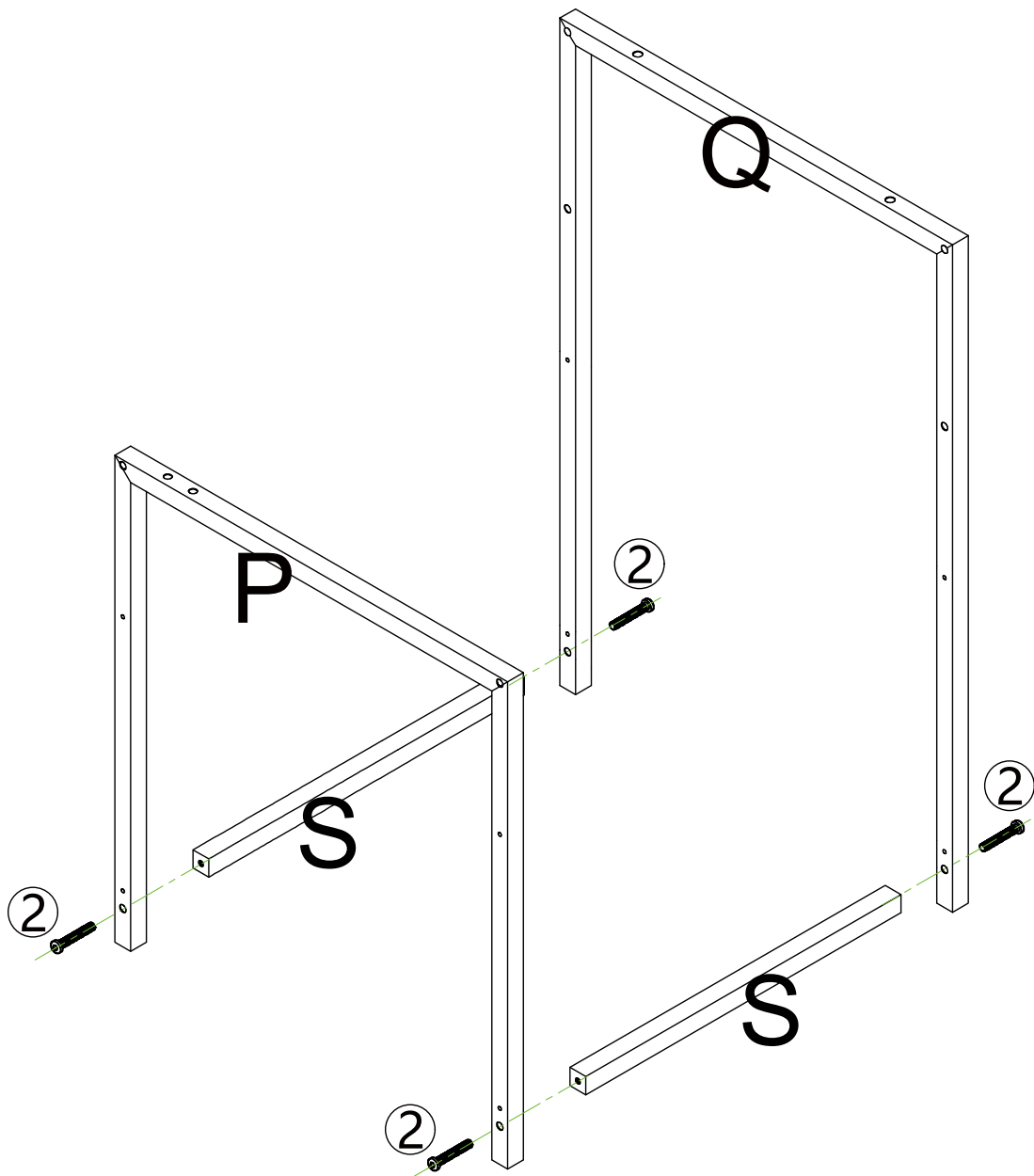
P x 1



Q x 1



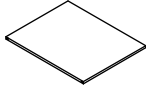
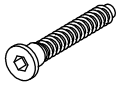
S x 2



ASSEMBLY INSTRUCTION

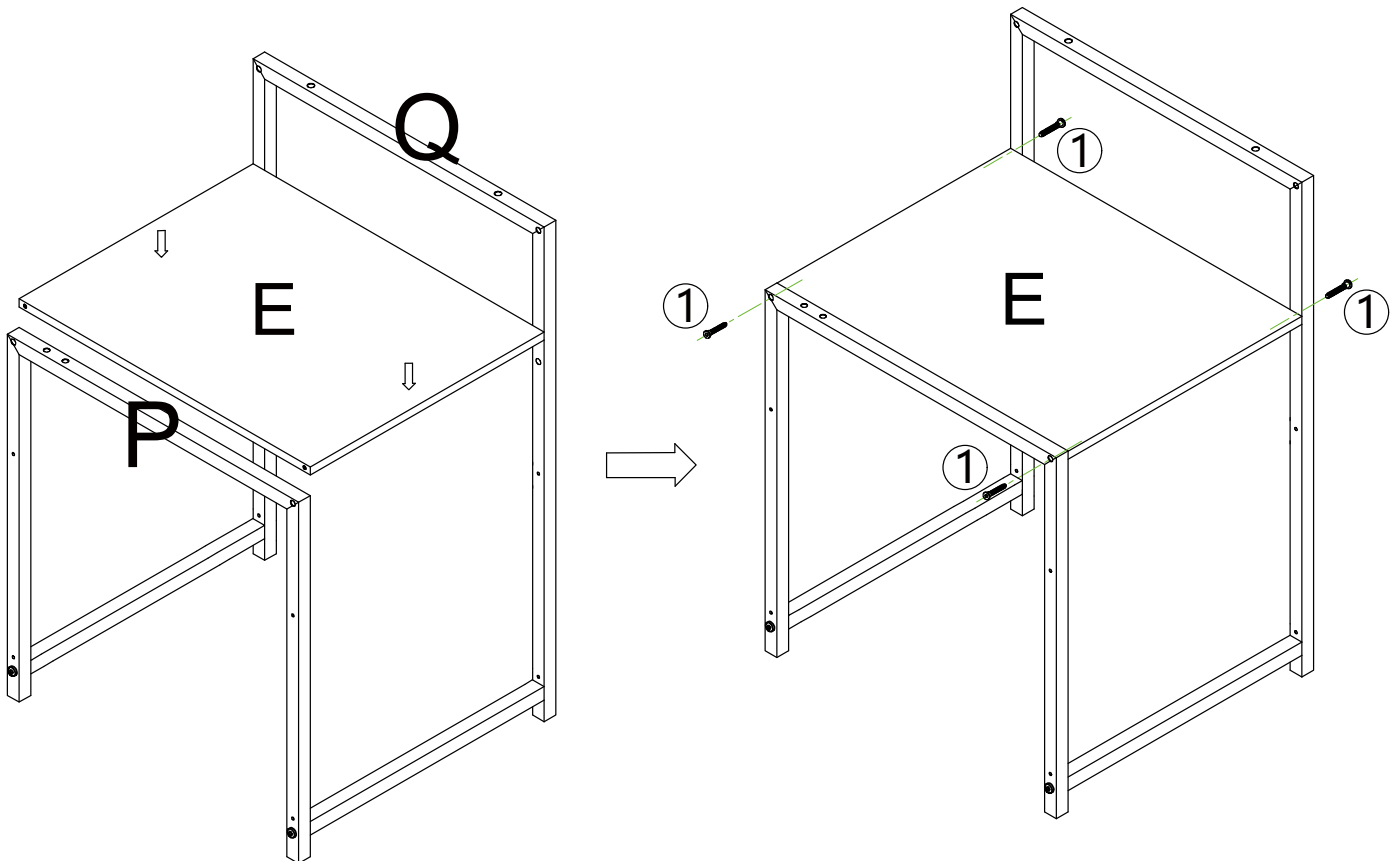
STEP 8

First, insert the E board, then connect it to Q and P using the ① screw, and tighten the Screw.



① x 4

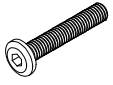
E x 1



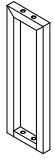
ASSEMBLY INSTRUCTION

STEP 9

Connect T and P with screws **7** and **12**, and tighten the screws.



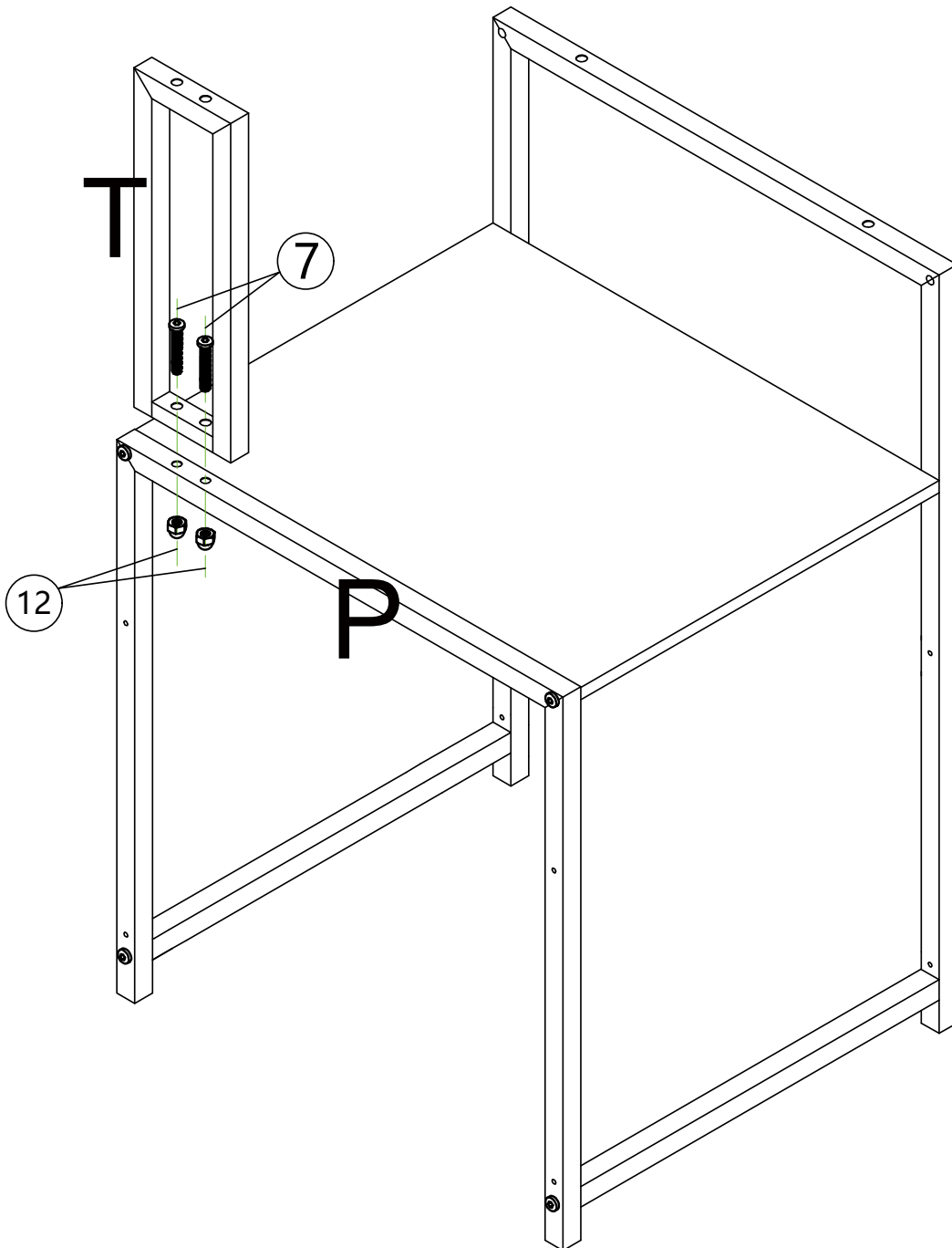
7 x 2



T x 1



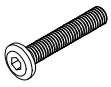
12 x 2



ASSEMBLY INSTRUCTION

STEP 10

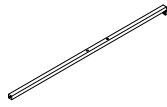
Connect the N and O square tubes with ② screw and tighten the screw.



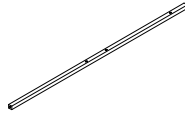
② x 3



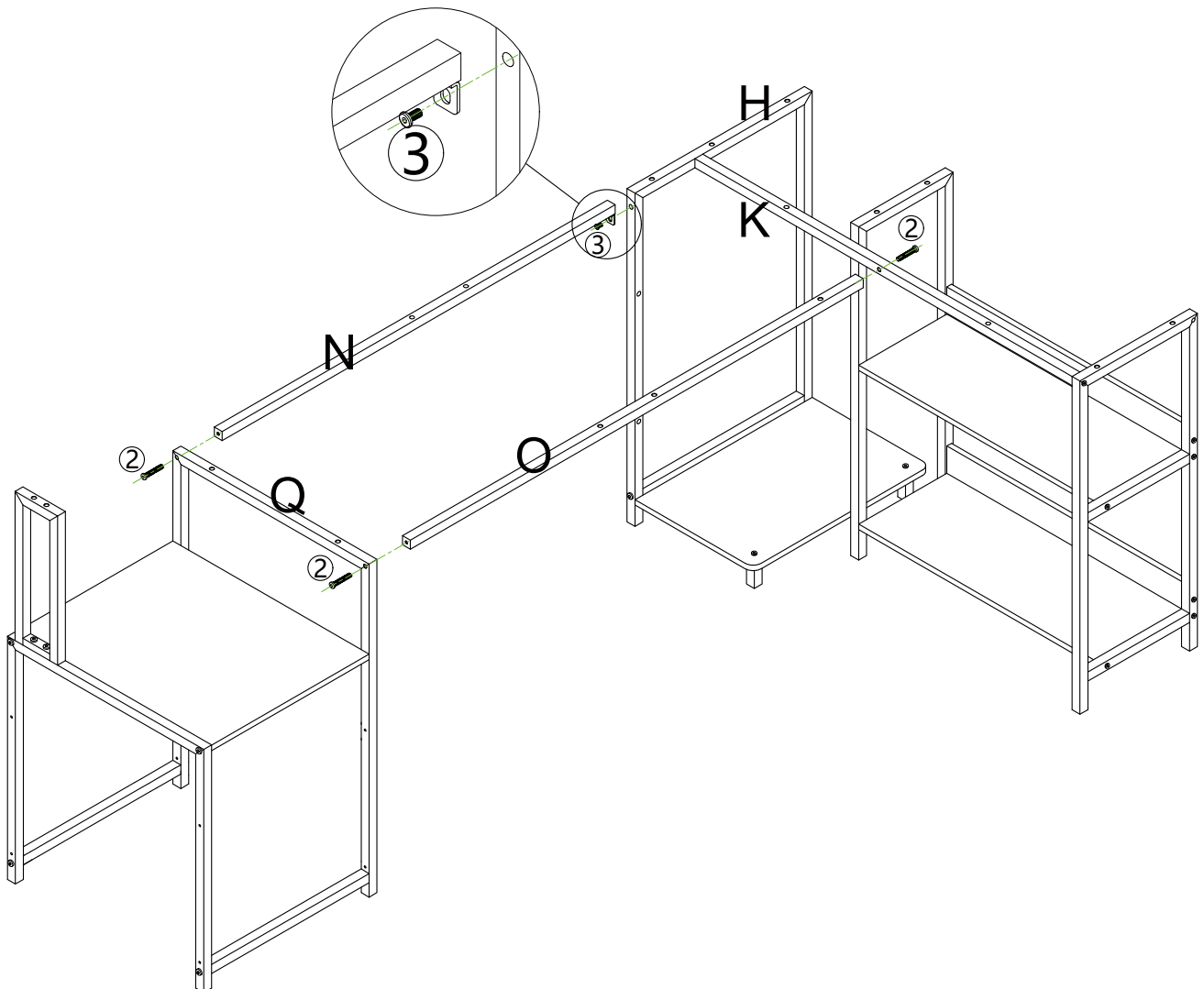
③ x 1



N x 1



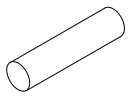
O x 1



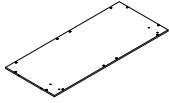
ASSEMBLY INSTRUCTION

STEP 11

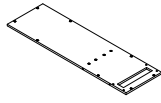
Use ④ wooden tenon to connect plate A to plate B.



④ x 2



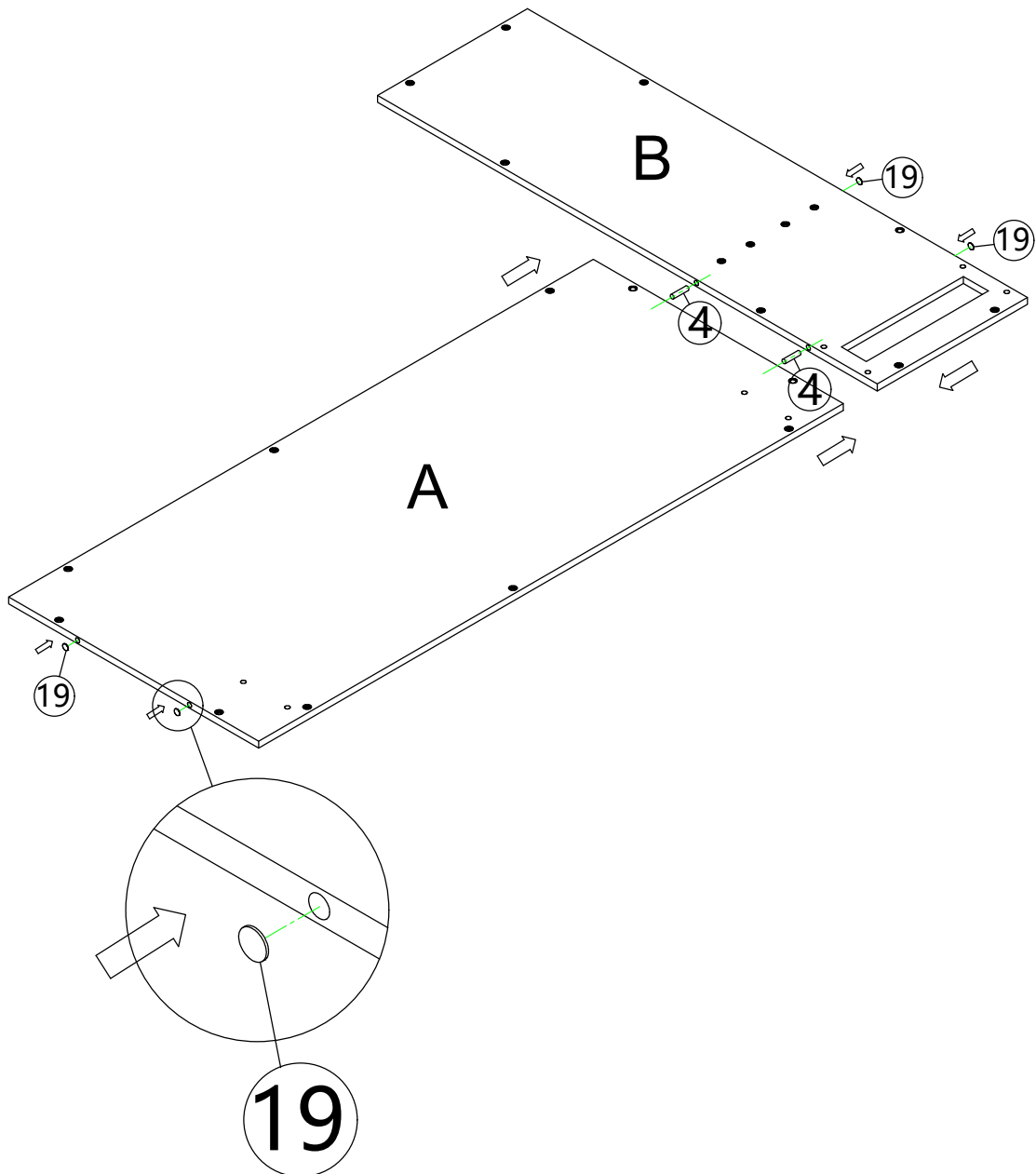
A x 1



B x 1



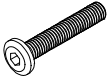
⑱ x 4



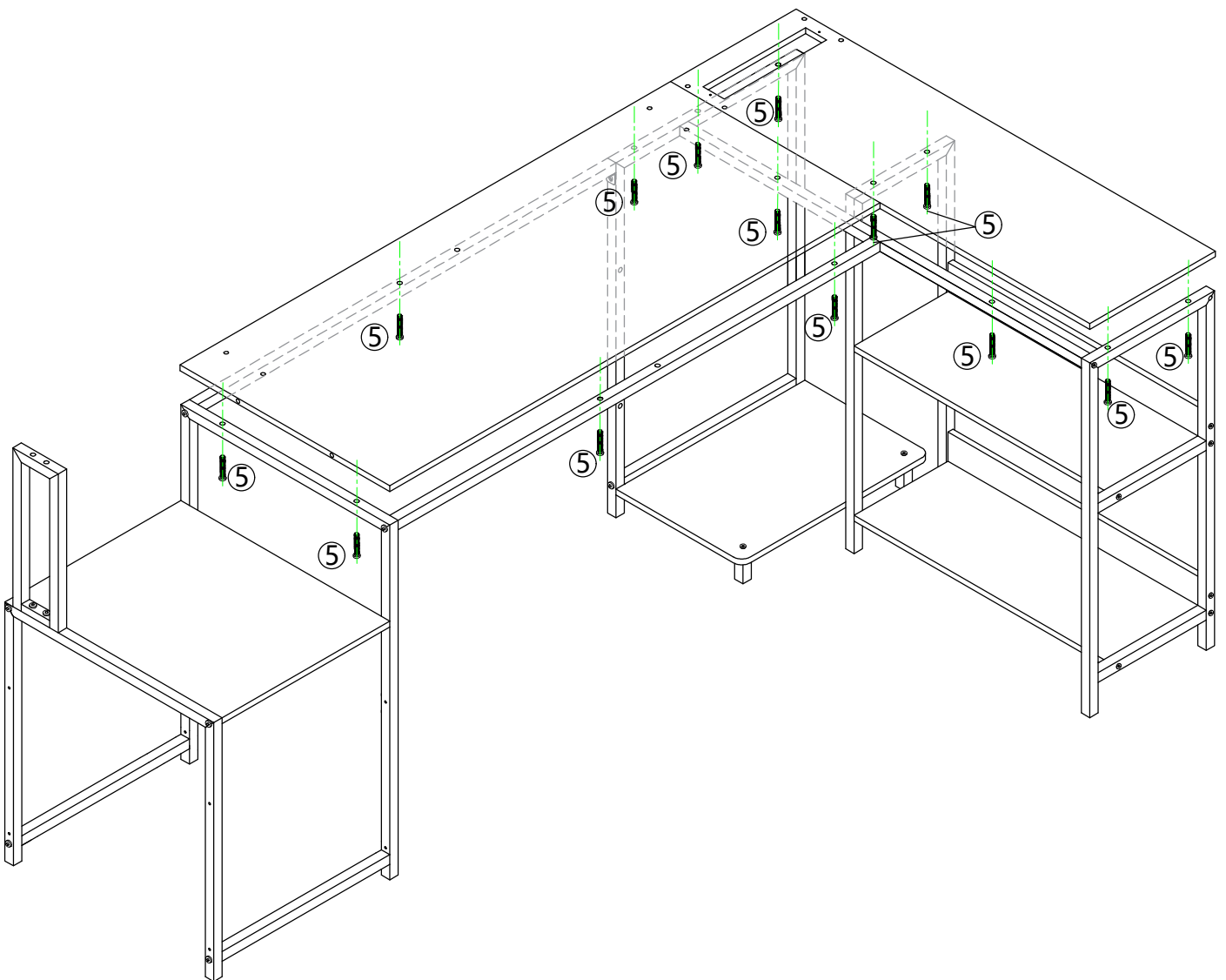
ASSEMBLY INSTRUCTION

STEP 12

Use screws ⑤ to connect panels A and B to the frame of the group, and tighten the screws.



⑤ x 14



ASSEMBLY INSTRUCTION

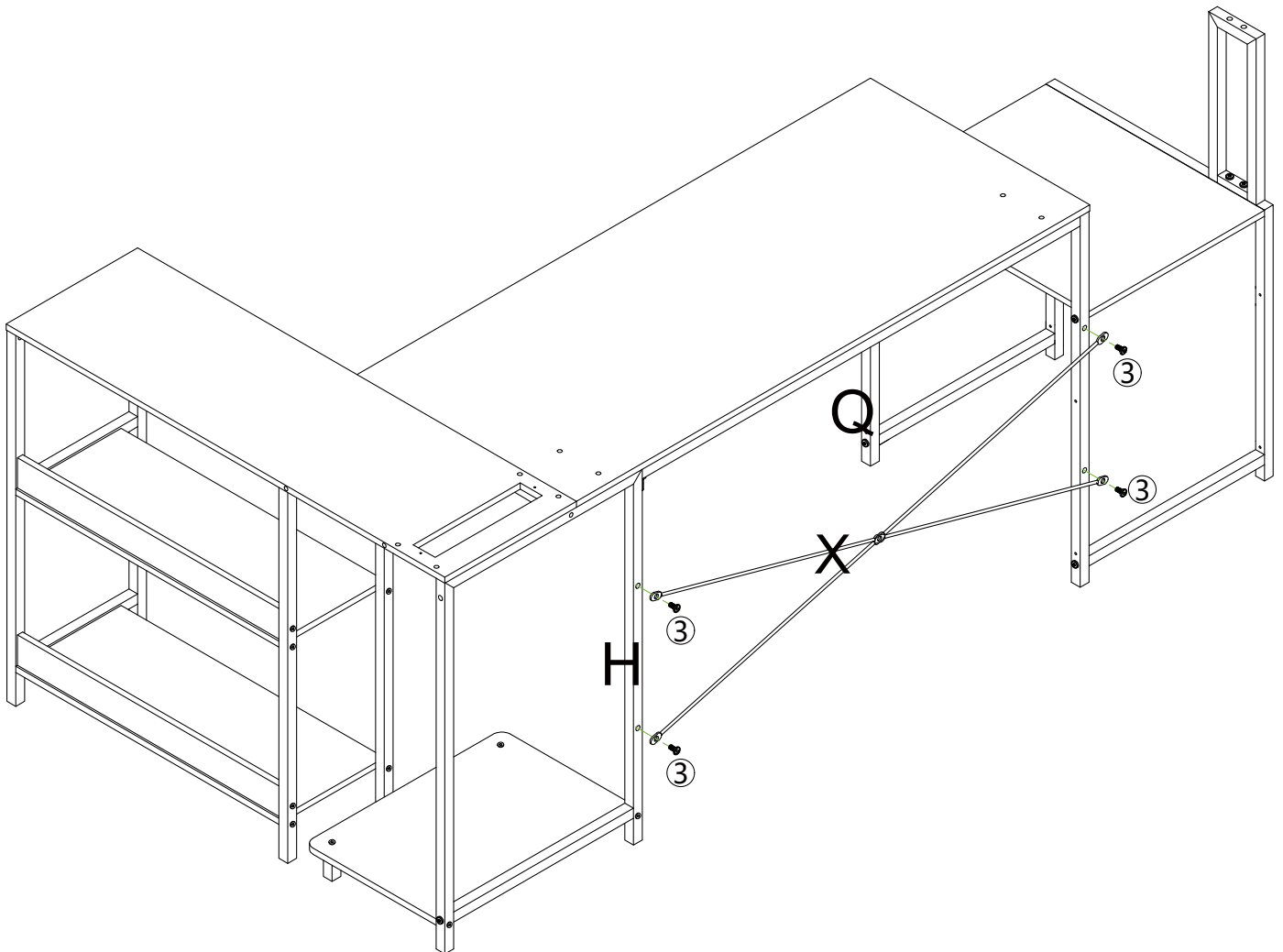
STEP 13

Connect the X frame with **③** screw and tighten the screw.



③ x 4

X x 1



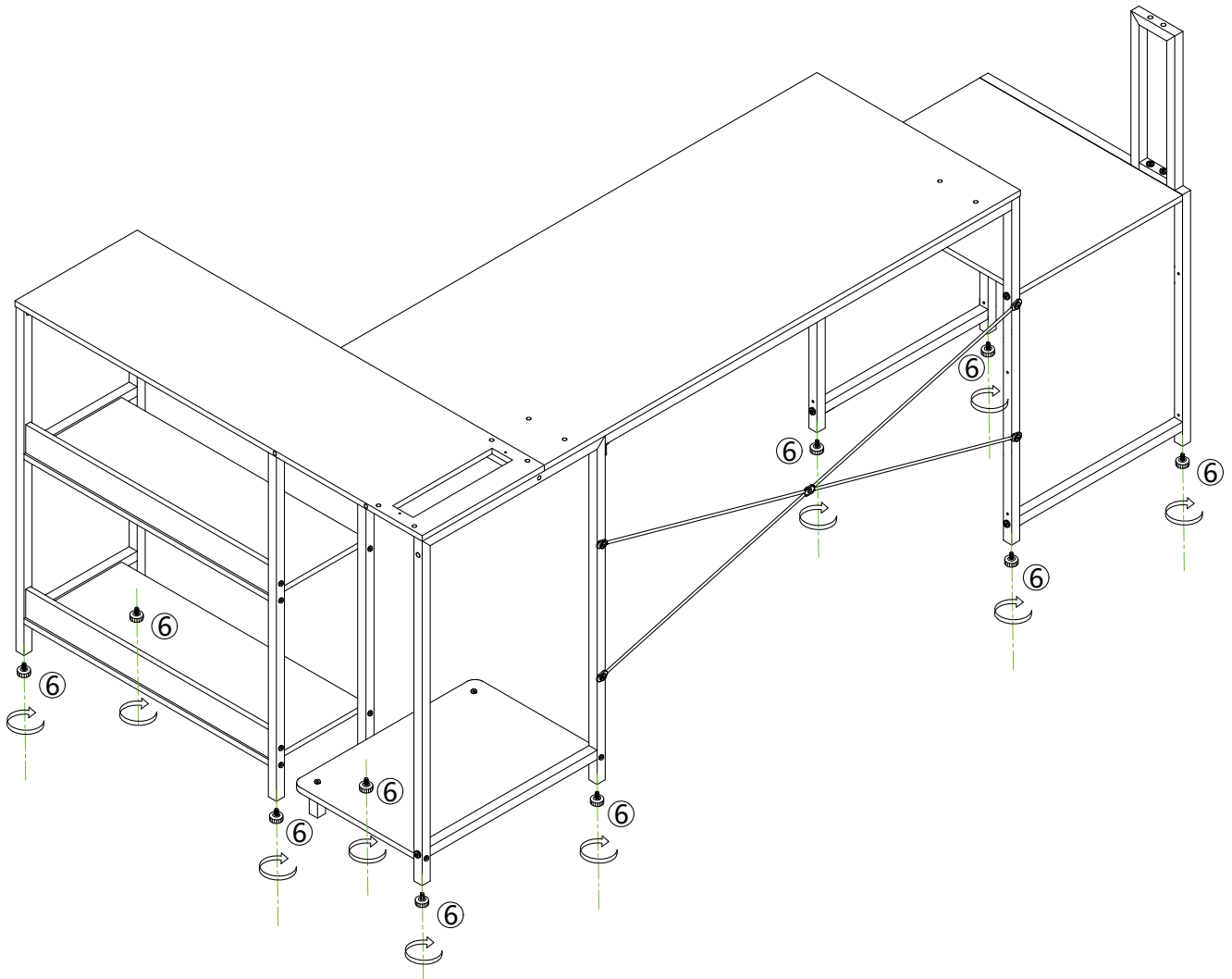
ASSEMBLY INSTRUCTION

STEP 14

Install ⑥ foot pad.



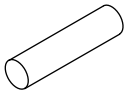
⑥ x 10



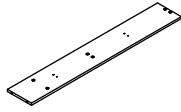
ASSEMBLY INSTRUCTION

STEP 15

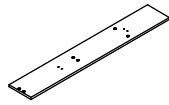
Connect F1 and F2 with ④ wooden tenon.



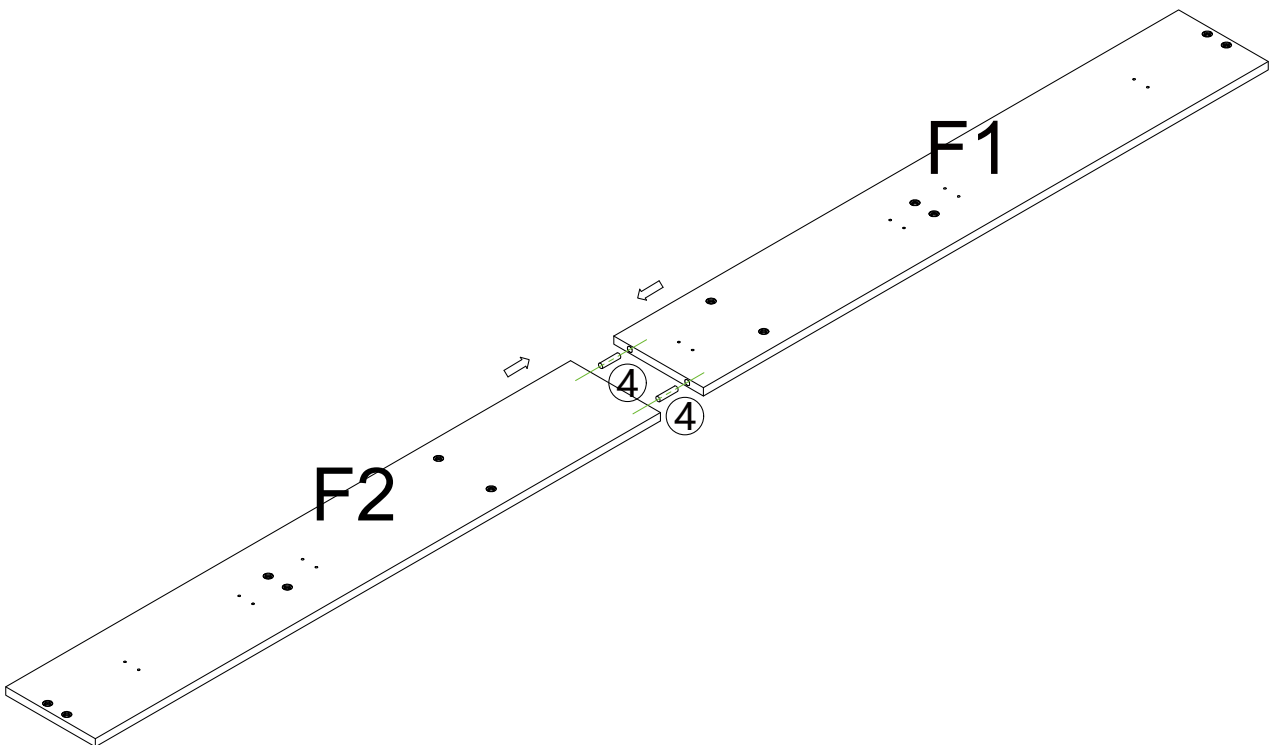
④ x 2



F1 x 1



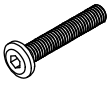
F2 x 1



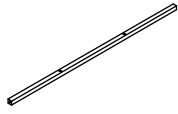
ASSEMBLY INSTRUCTION

STEP 16

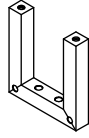
Connect the two V and two U square tubes with ② screw and tighten the screws.



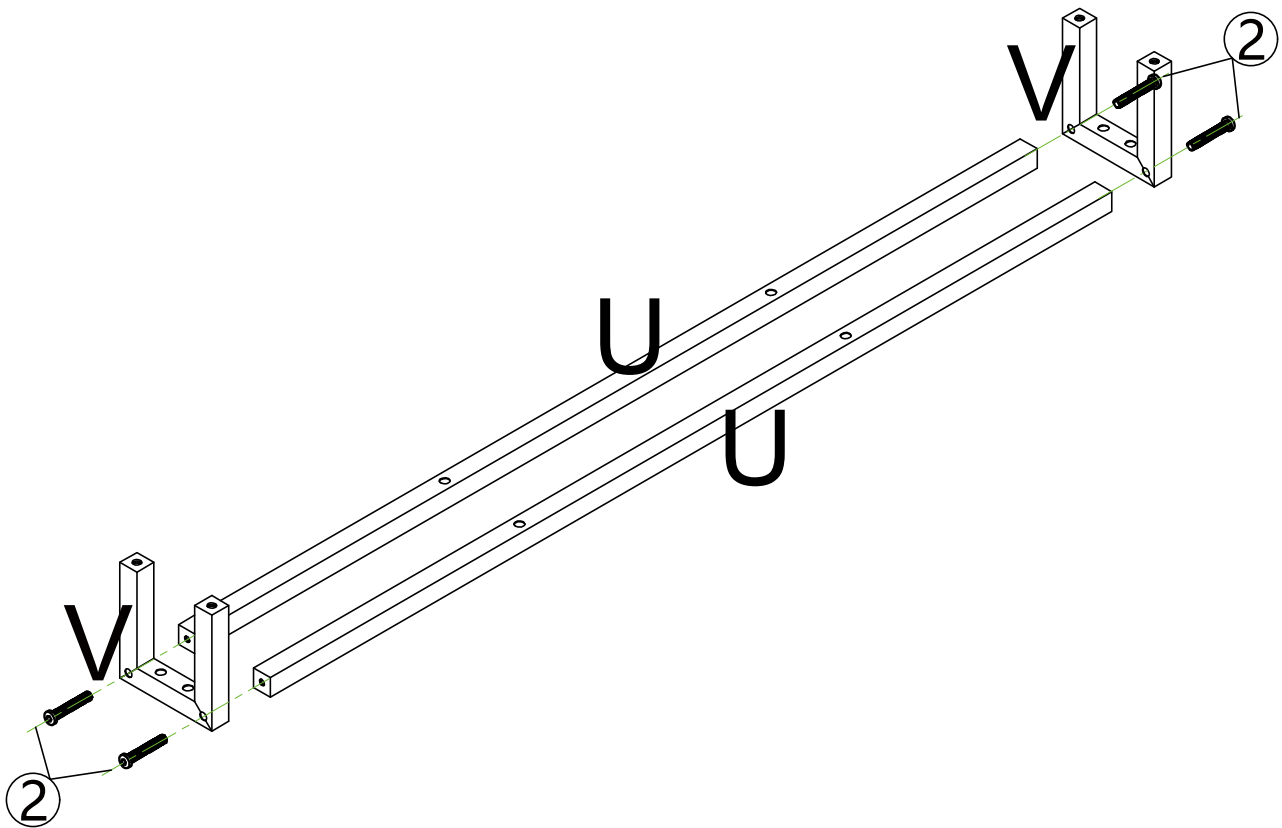
② x 4



U x 2



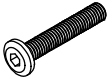
V x 2



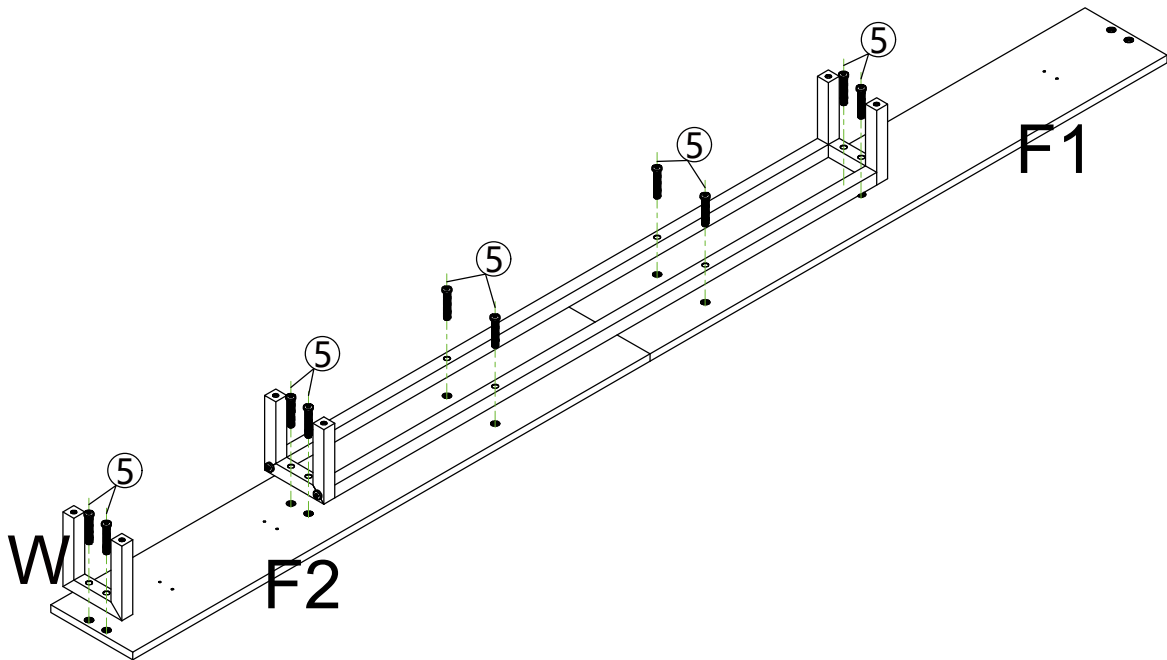
ASSEMBLY INSTRUCTION

STEP 17

Use screw ⑤ to connect plate W to F1 and F2, while fixing the assembled plate U and locking the screws tightly.



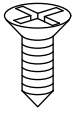
⑤ x 10



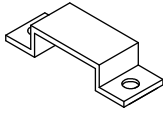
ASSEMBLY INSTRUCTION

STEP 18

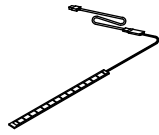
Install the light strip.



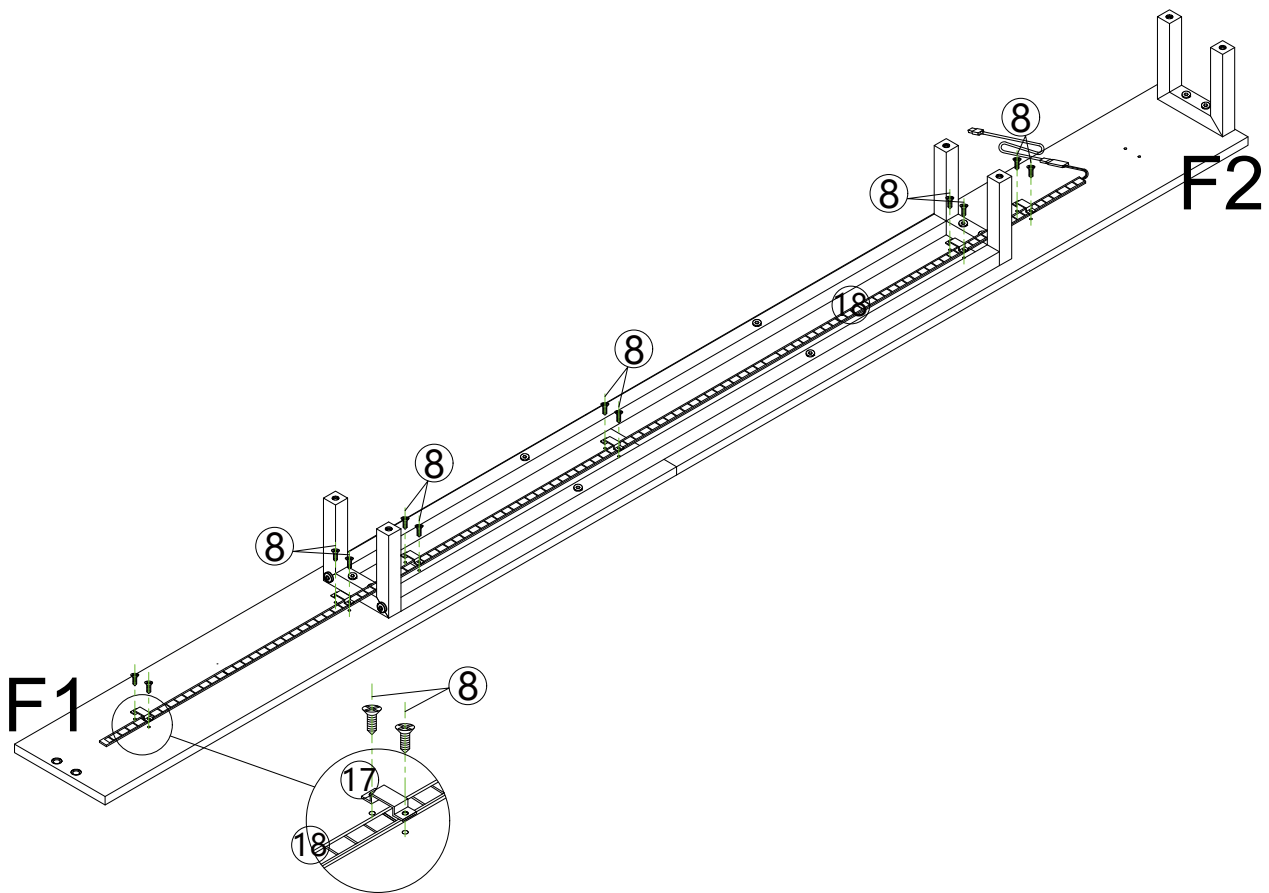
⑧ x 12



⑰ x 6



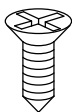
⑱ x 1



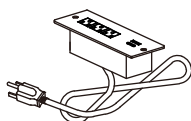
ASSEMBLY INSTRUCTION

STEP 19

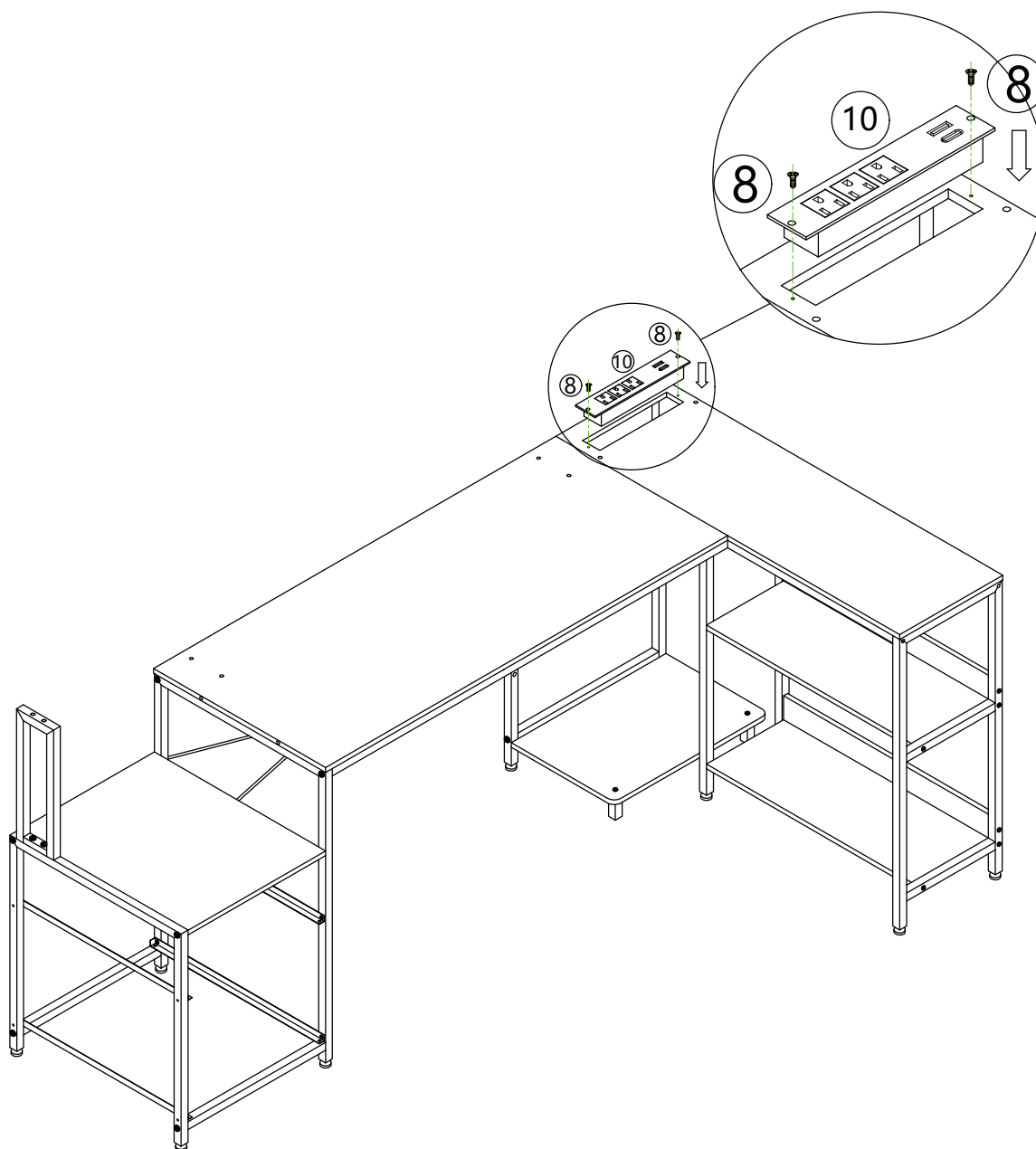
Fix **10** row onto the B board with **8** screw and tighten the screw.



8 x 2



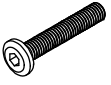
10 x 1



ASSEMBLY INSTRUCTION

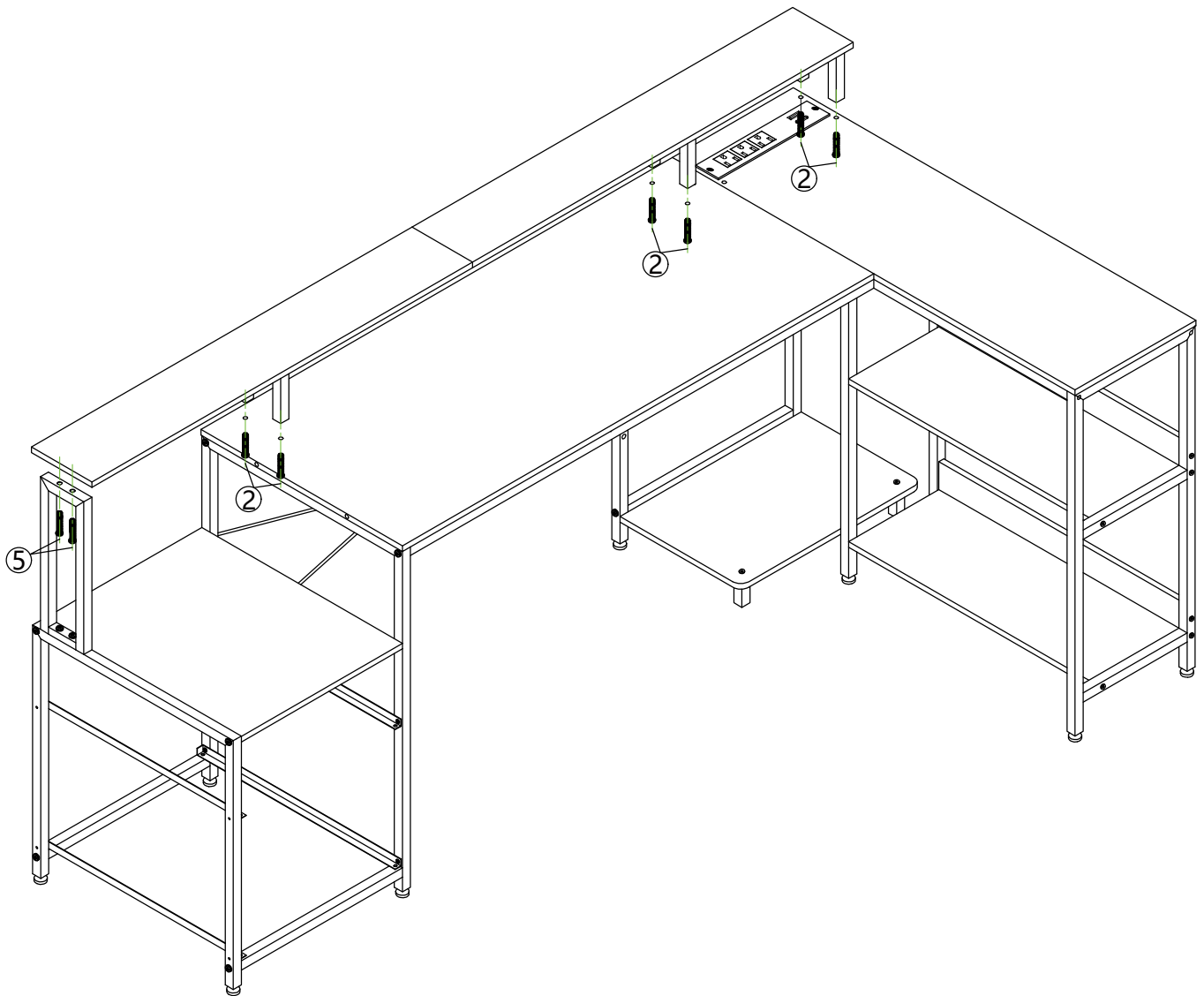
STEP 20

Use screws ② and ⑤ to lock the monitor stand.



② x 6

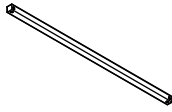
⑤ x 2



ASSEMBLY INSTRUCTION

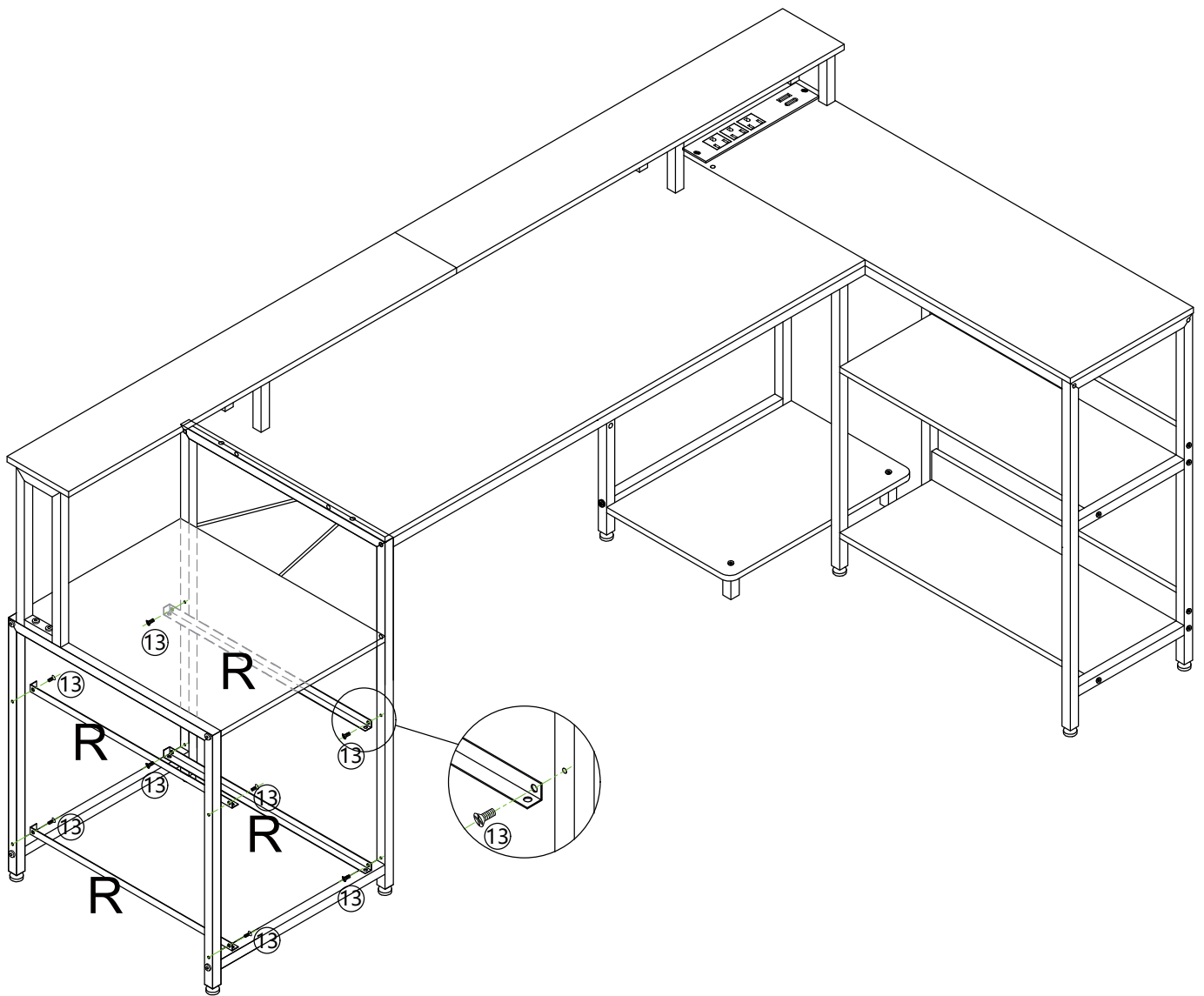
STEP 21

Connect the R, Q, and P numbers with **13** screw and tighten the screw.



13 x 8

R x 4



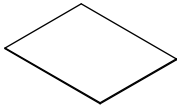
ASSEMBLY INSTRUCTION

STEP 22

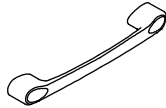
Place ⑨ into Z and Y then use ⑬ screw to connect the ⑪ handle to the Z and Y cloth, and tighten the screw.



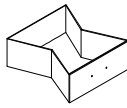
⑬ x 4



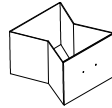
⑨ x 2



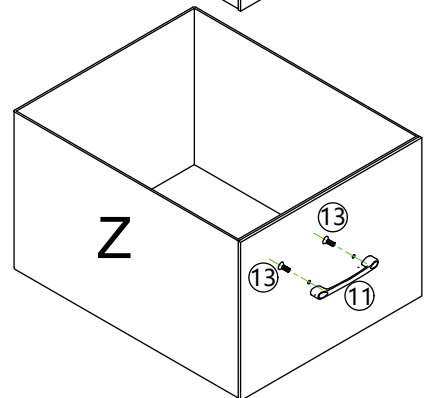
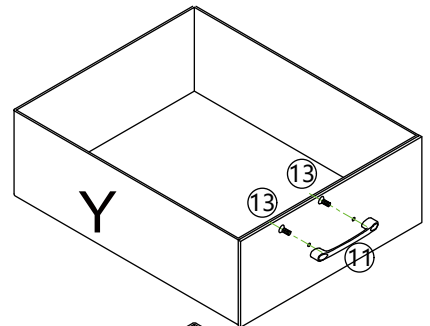
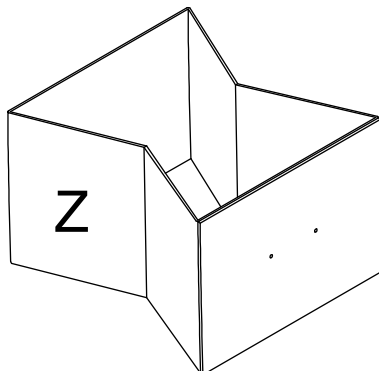
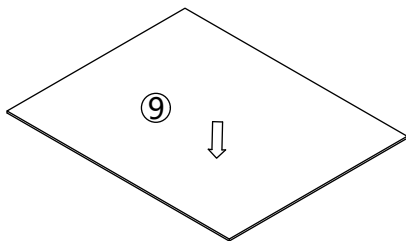
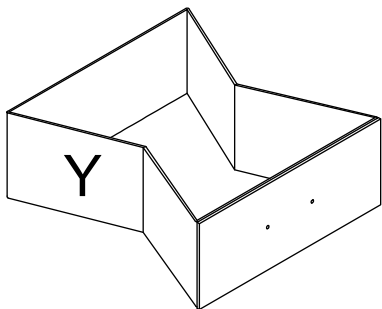
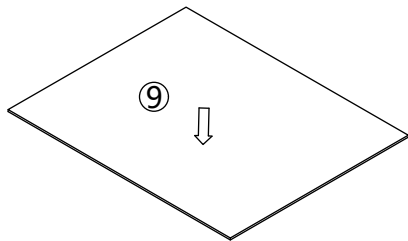
⑪ x 2



Y x 1



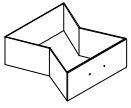
Z x 1



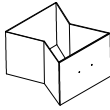
ASSEMBLY INSTRUCTION

STEP 23

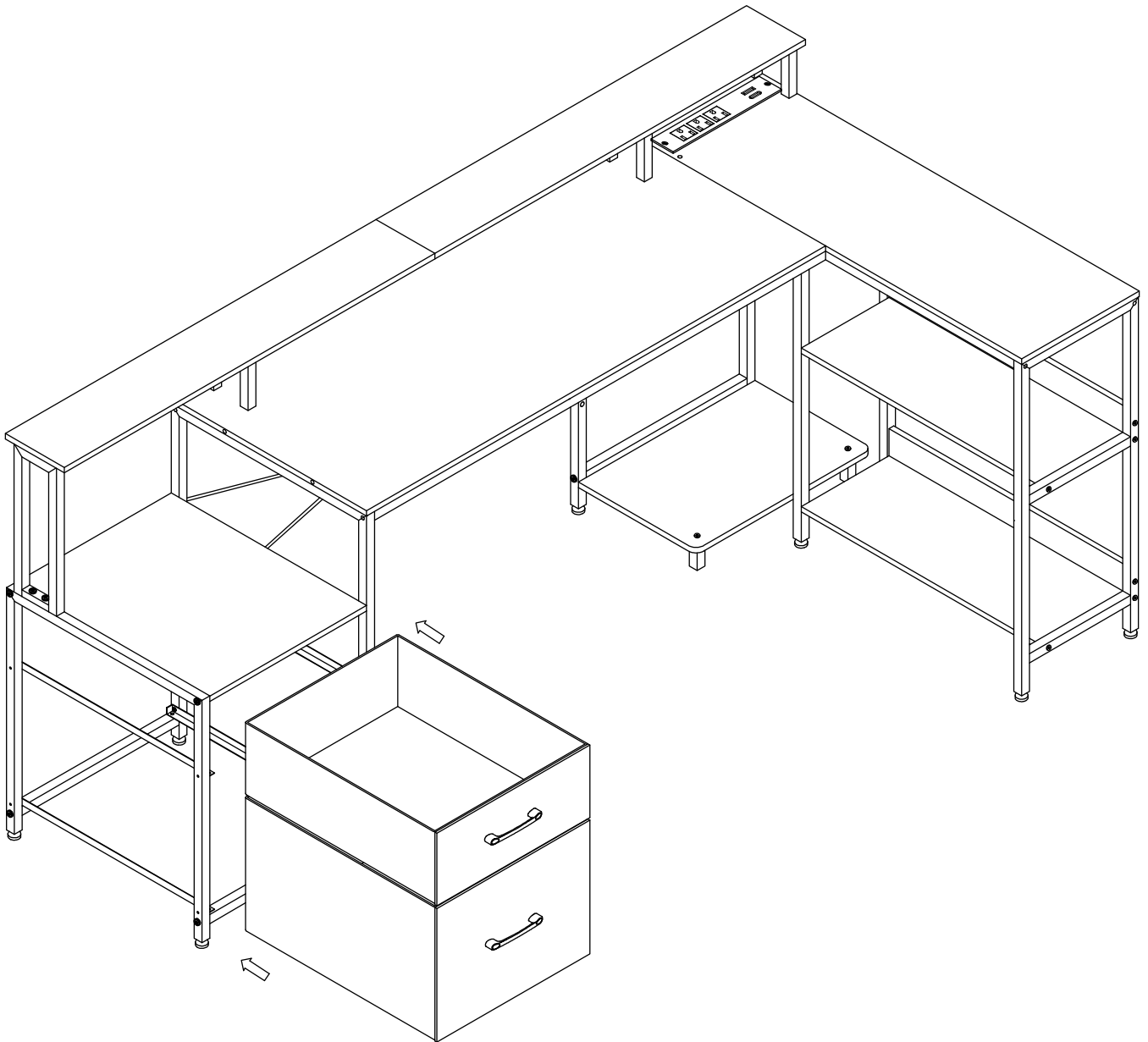
Insert drawers Y and Z .



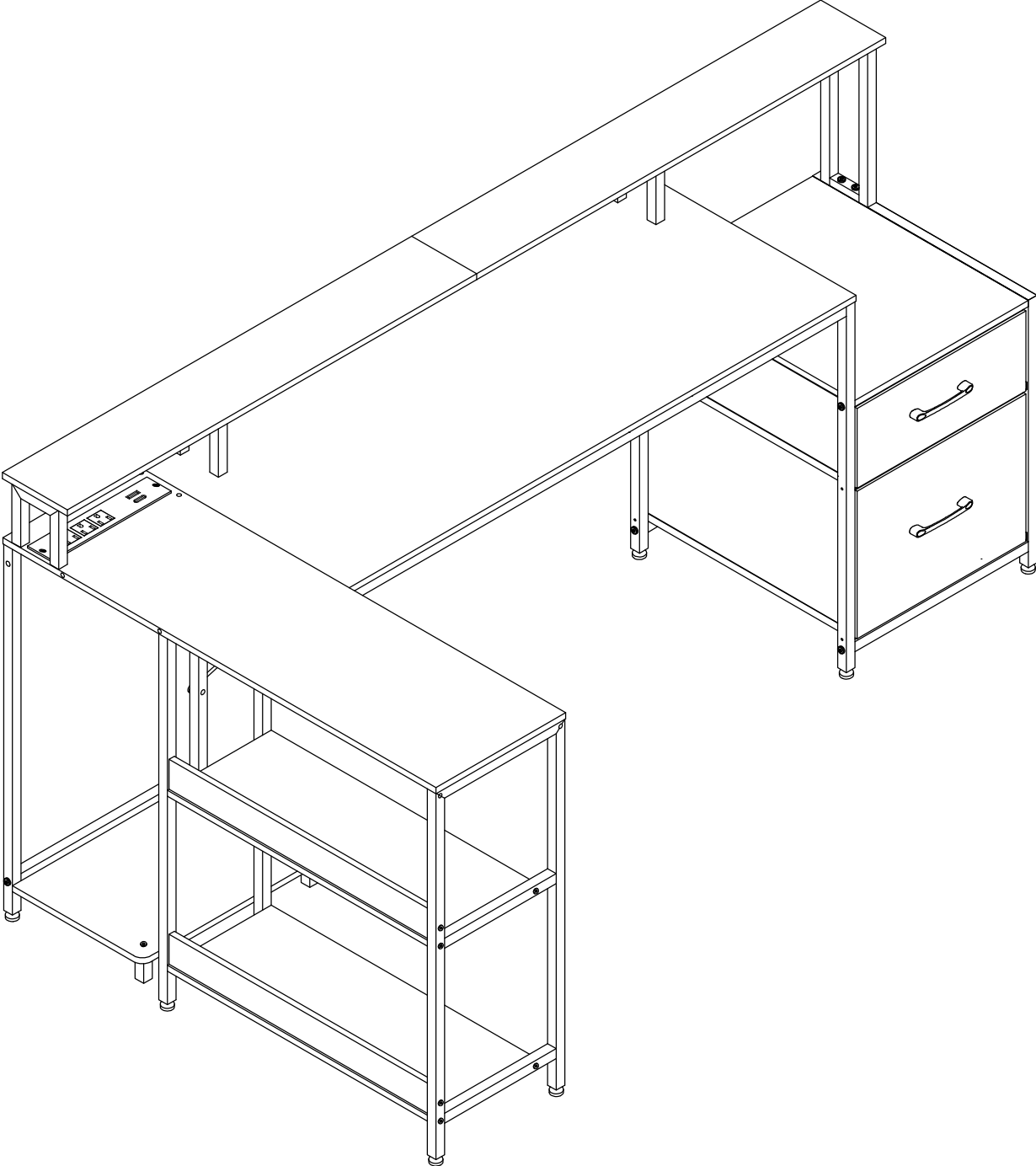
Y x 1



Z x 1



Assembly Method 2



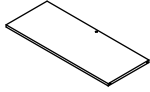
ASSEMBLY INSTRUCTION

STEP 1

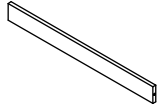
Connect the C board to the G board with ① screw and tighten the screws.



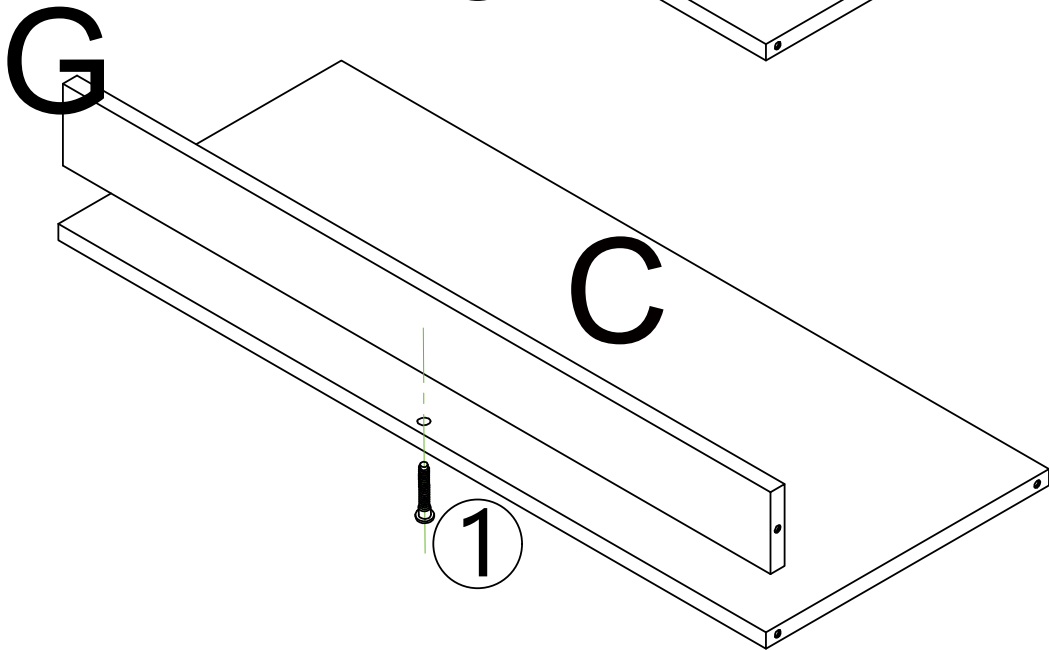
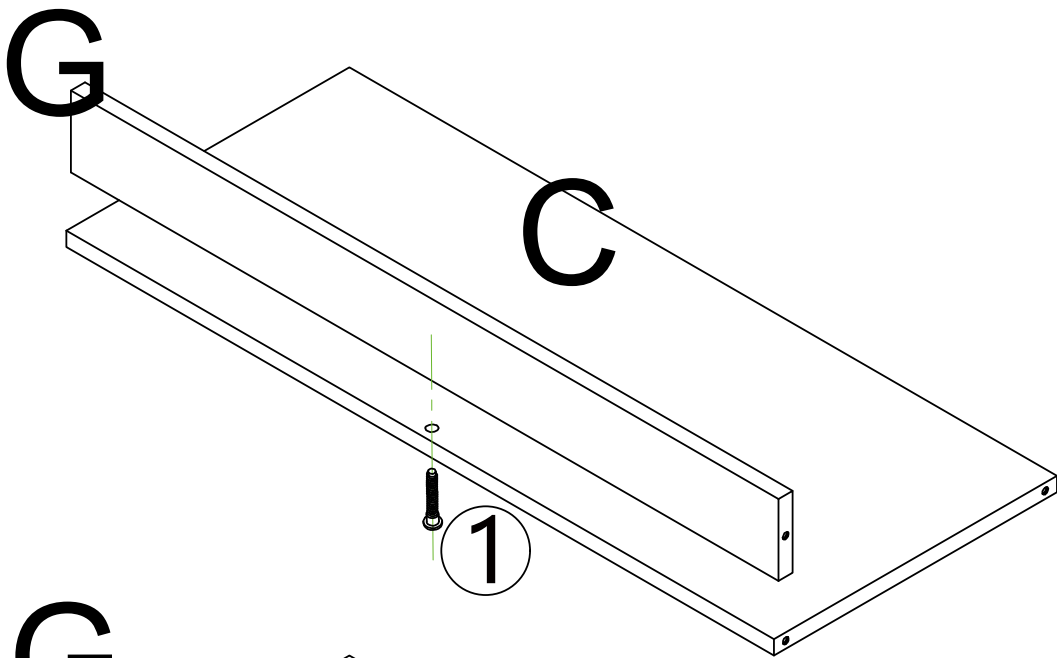
① x 2



C x 2



G x 2



ASSEMBLY INSTRUCTION

STEP 2

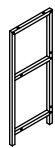
Connect the I and J boards to the C and G boards with ① screw and tighten the screws.



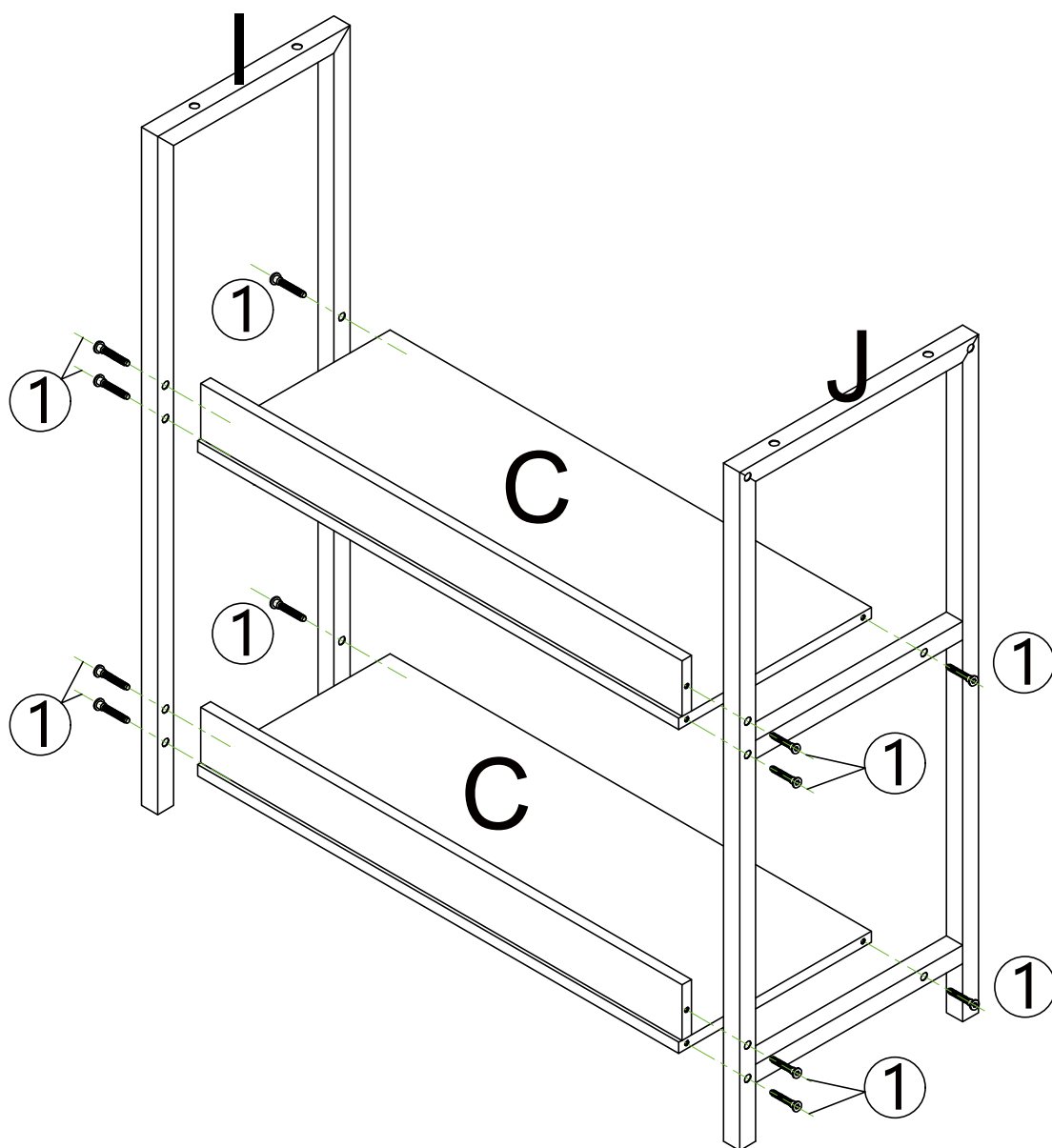
① x 12



I x 1



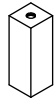
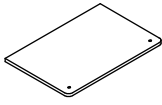
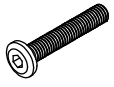
J x 1



ASSEMBLY INSTRUCTION

STEP 3

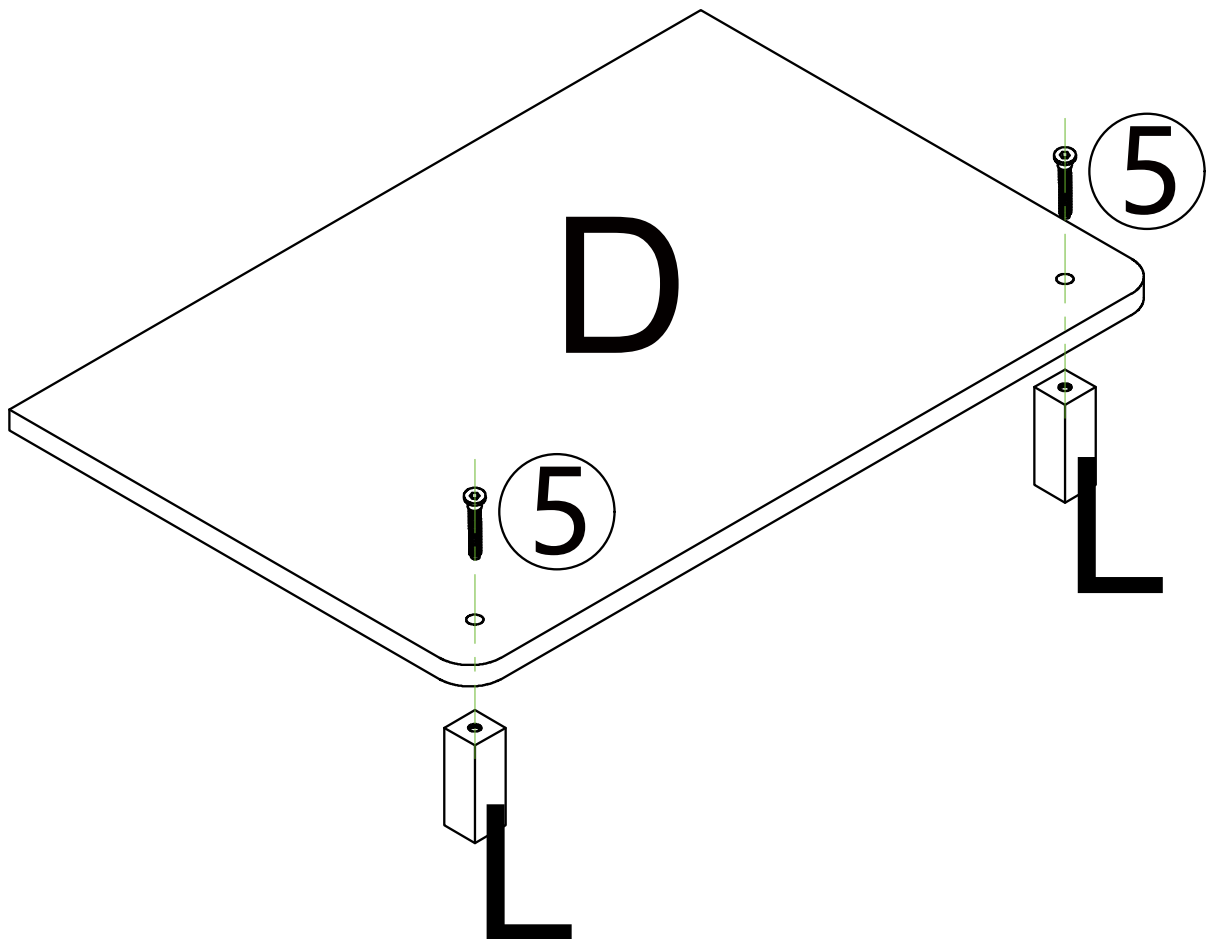
Connect the L square tube to the D plate with ⑤ screw and tighten the screw.



⑤ x 2

D x 1

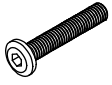
L x 2



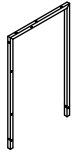
ASSEMBLY INSTRUCTION

STEP 4

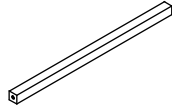
Connect the M square tube to the H one with the ② screw and tighten the screw.



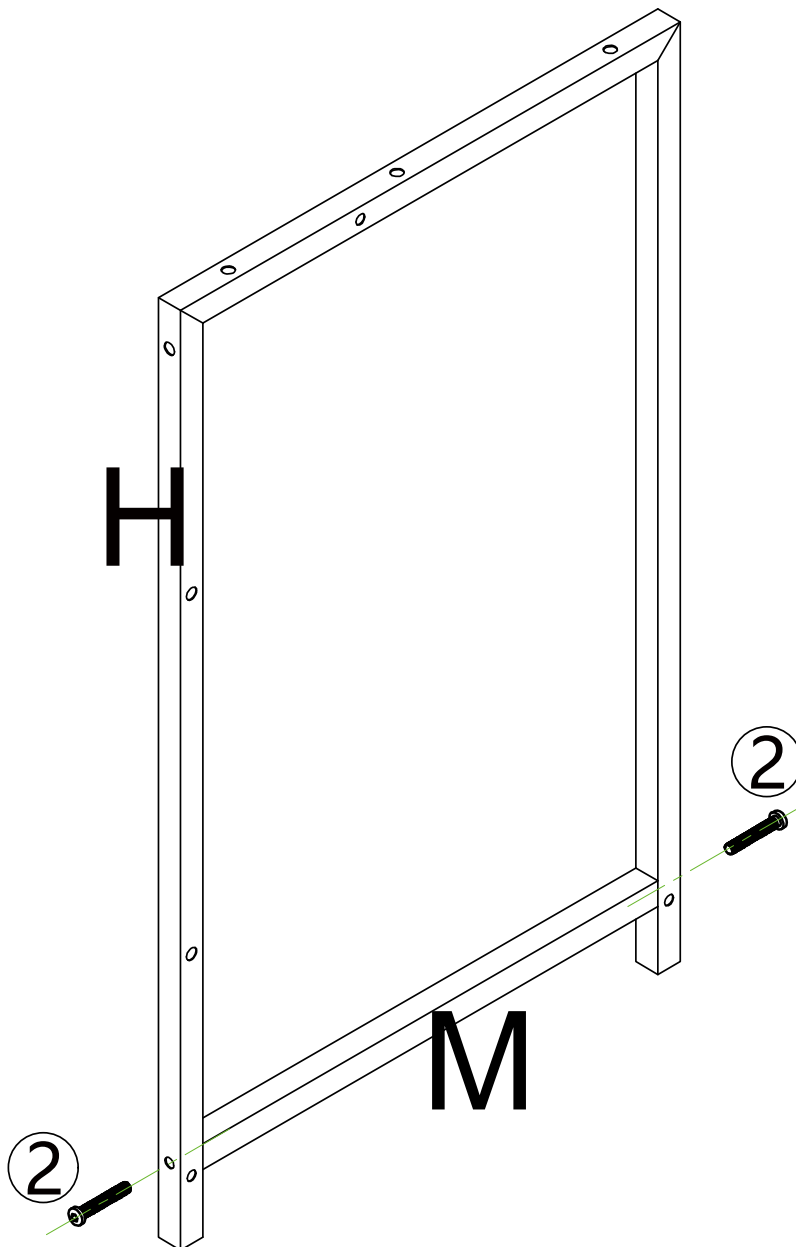
② x 2



H x 1



M x 1



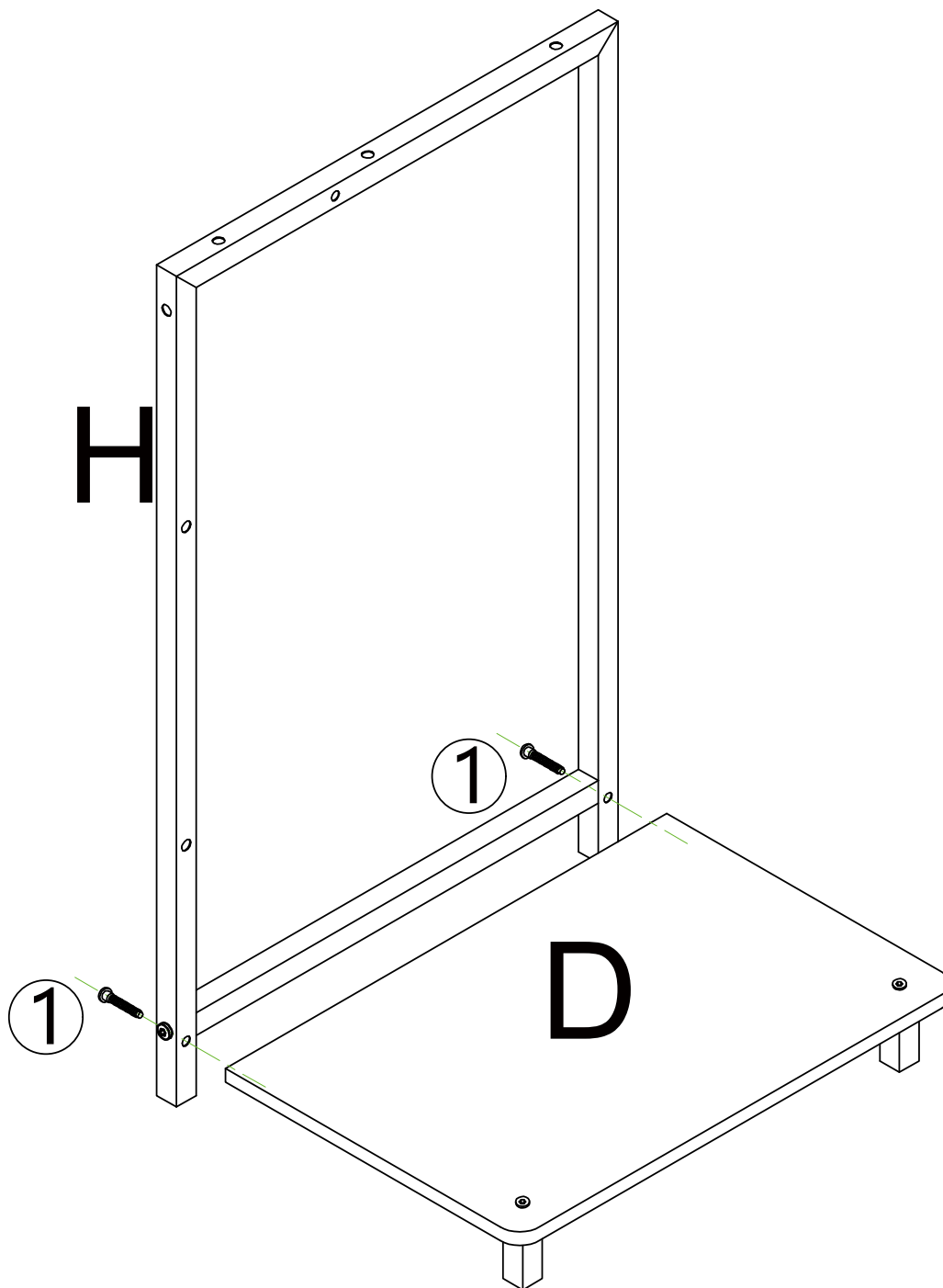
ASSEMBLY INSTRUCTION

STEP 5

Use screw ① to connect the assembled D and H, and tighten the screws.



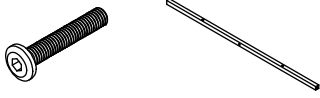
① x 2



ASSEMBLY INSTRUCTION

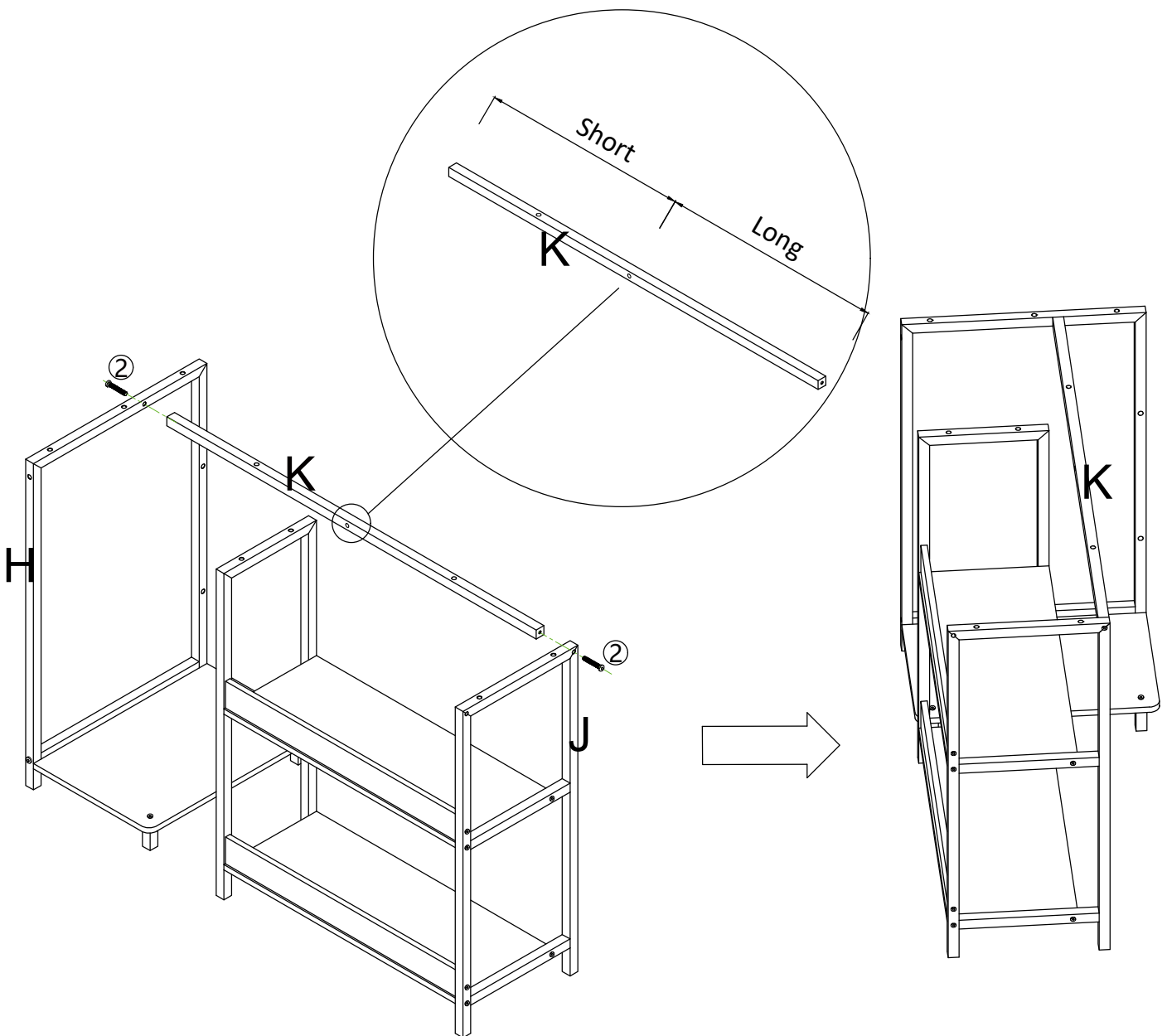
STEP 6

Connect the K square tube to J and H using ② screw and tighten the screw.



② x 2 K x 1

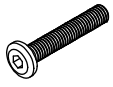
The distance between the two ends of K square tube and the length of the middle hole are different



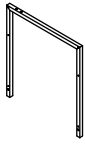
ASSEMBLY INSTRUCTION

STEP 7

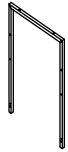
Connect the S square tube to Q and P using ② screw and tighten the screw.



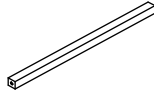
② x 4



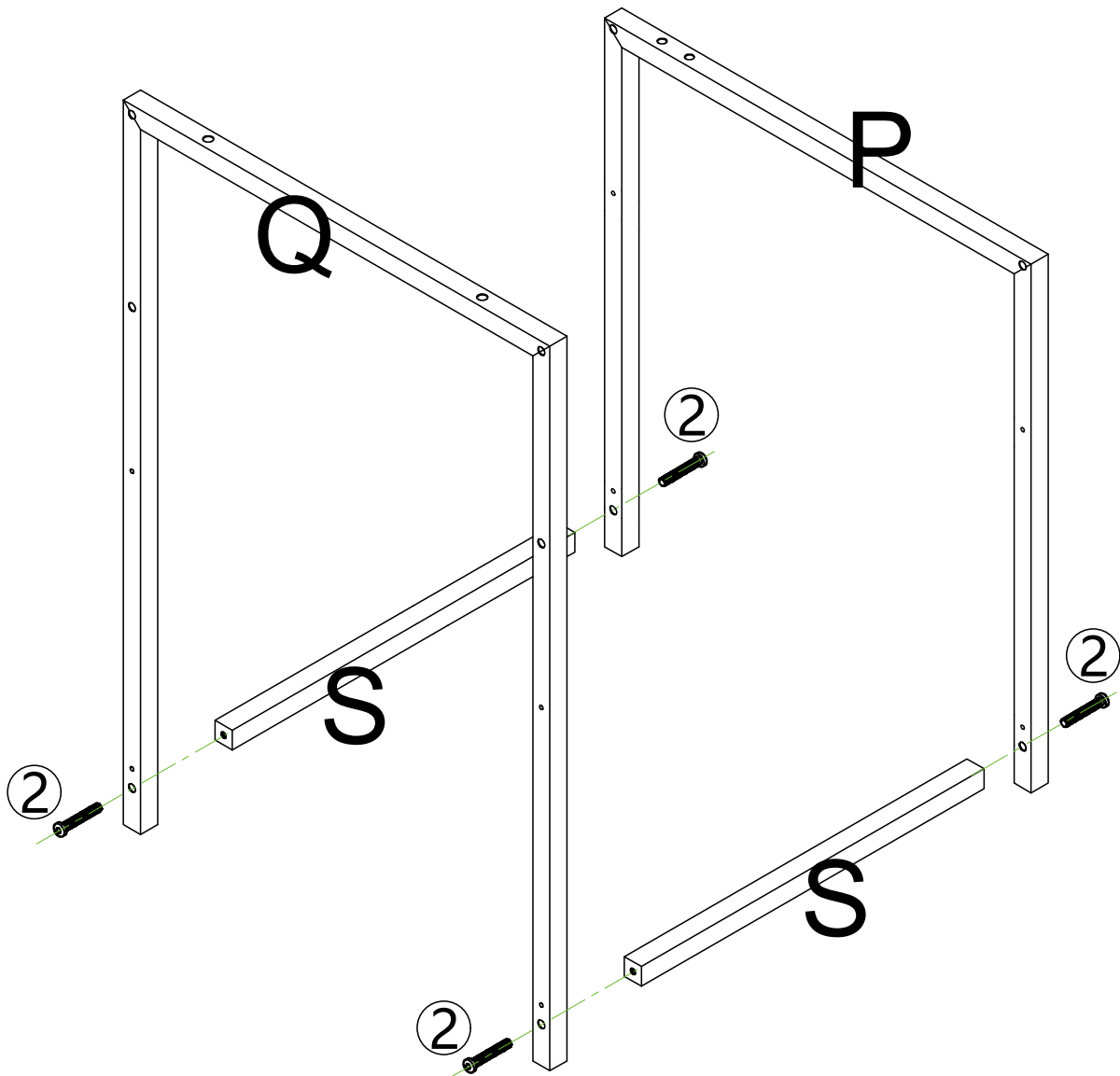
P x 1



Q x 1



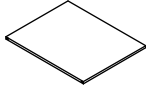
S x 2



ASSEMBLY INSTRUCTION

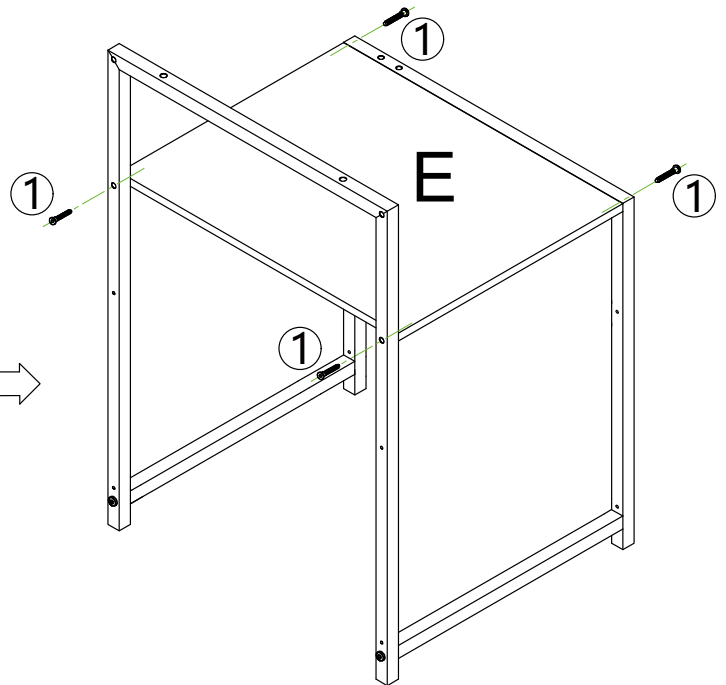
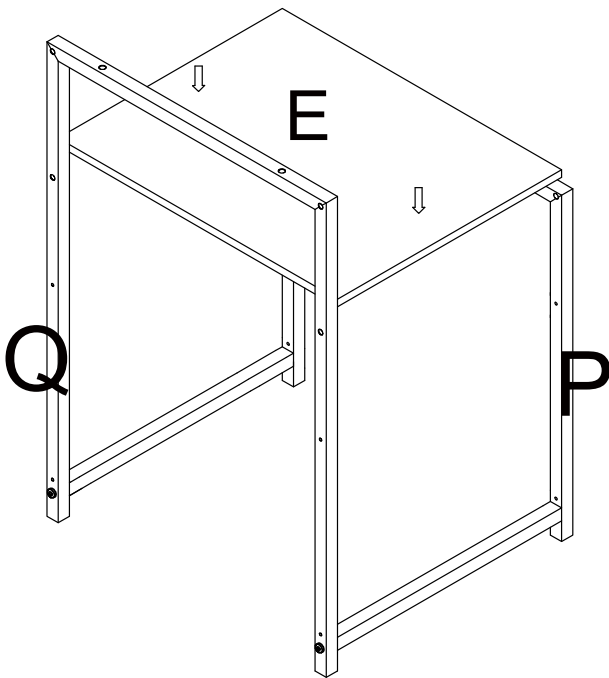
STEP 8

First, insert the E, then connect it to Q and P using ① screw, and tighten the screw.



① x 4

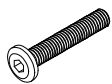
E x 1



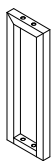
ASSEMBLY INSTRUCTION

STEP 9

Connect T and P with screws ⑦ and ⑫, and tighten the screws.



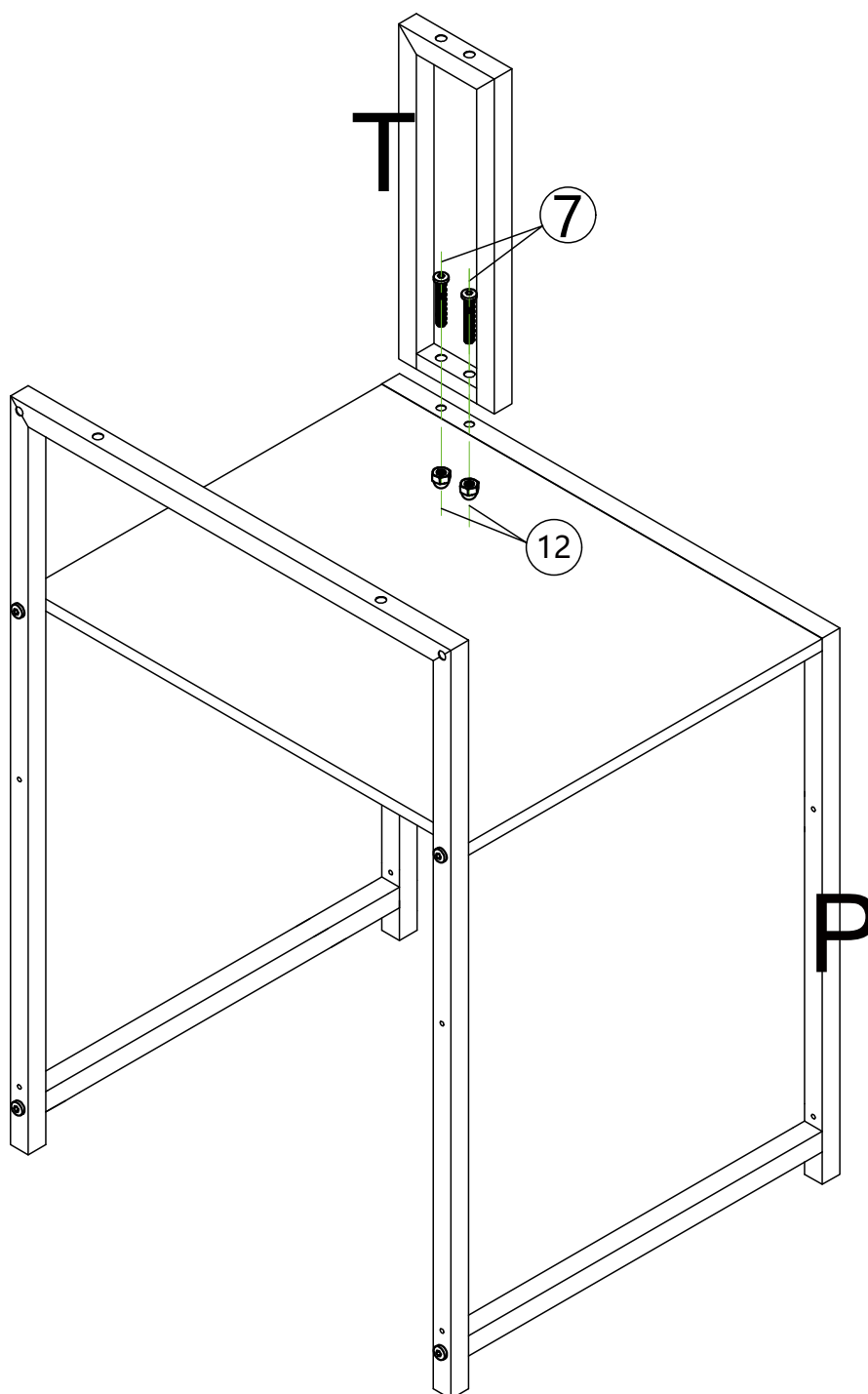
⑦ x 2



T x 1



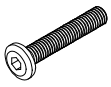
⑫ x 2



ASSEMBLY INSTRUCTION

STEP 10

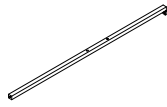
Connect the N and O square tubes with ② screw and tighten the screw.



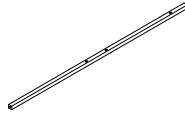
② x 3



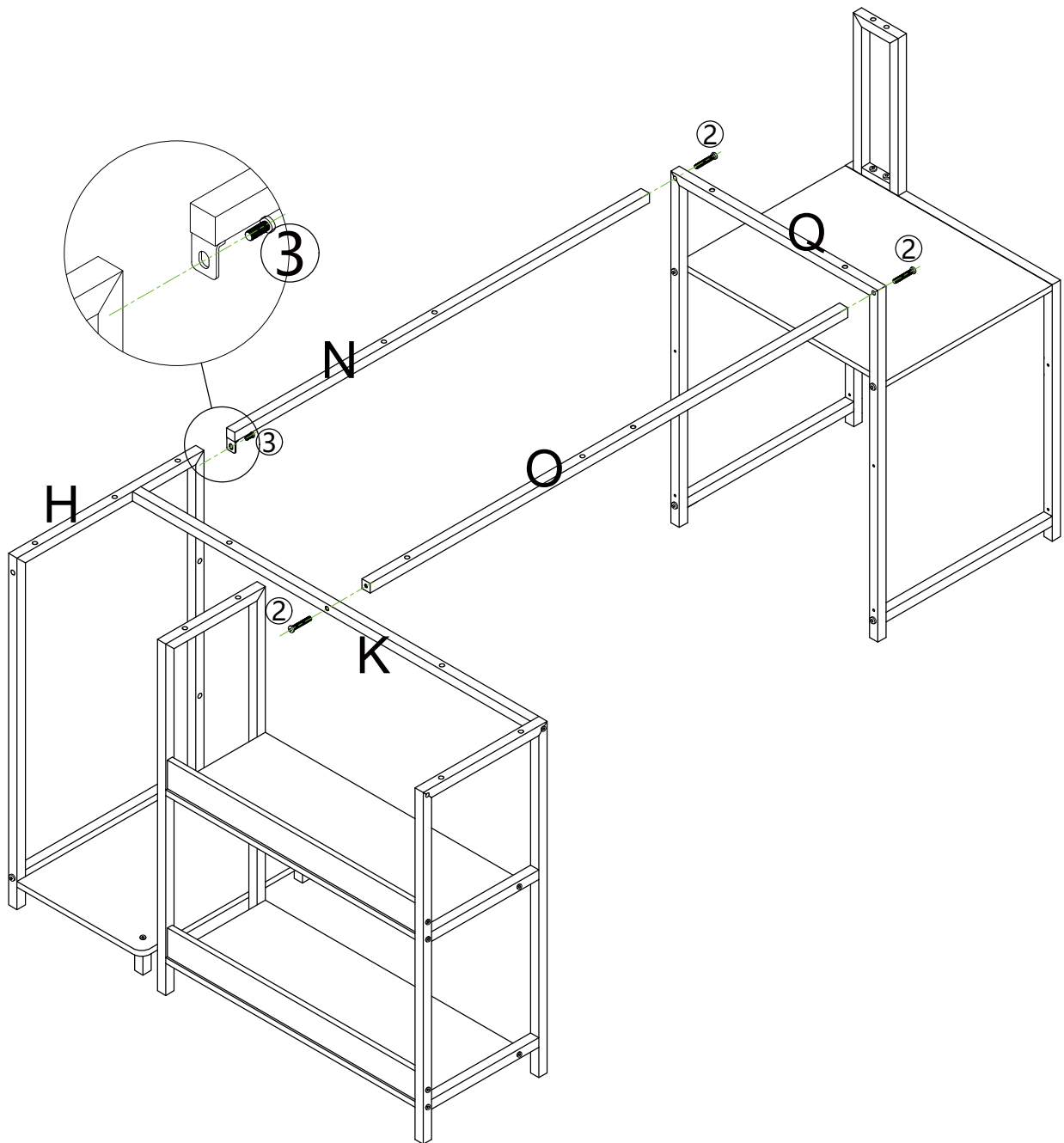
③ x 1



N x 1



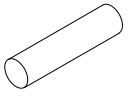
O x 1



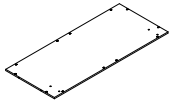
ASSEMBLY INSTRUCTION

STEP 11

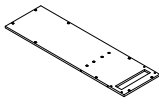
Use ④ wooden tenon to connect plate A to plate B.



④ x 2



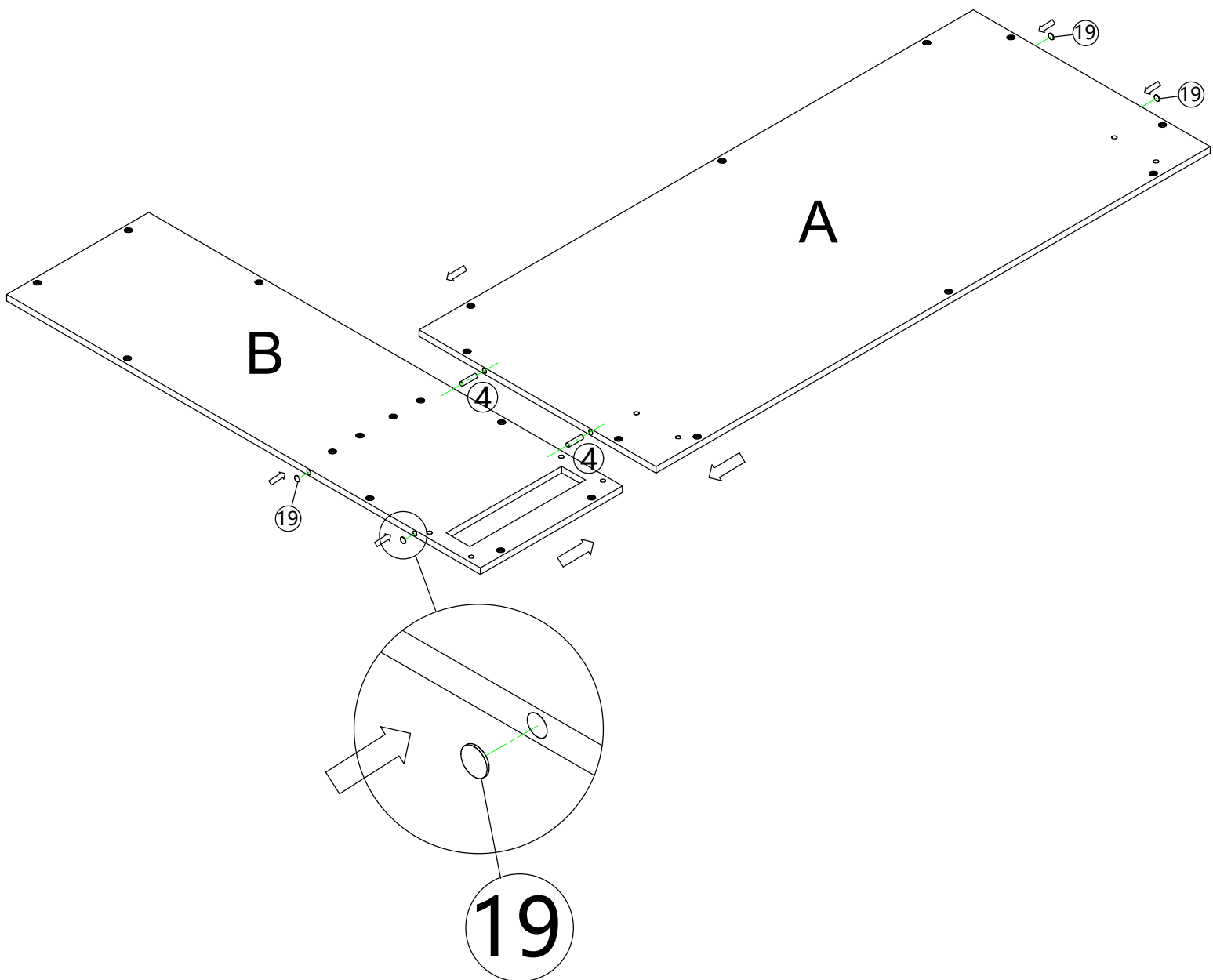
A x 1



B x 1



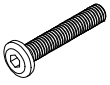
⑱ x 4



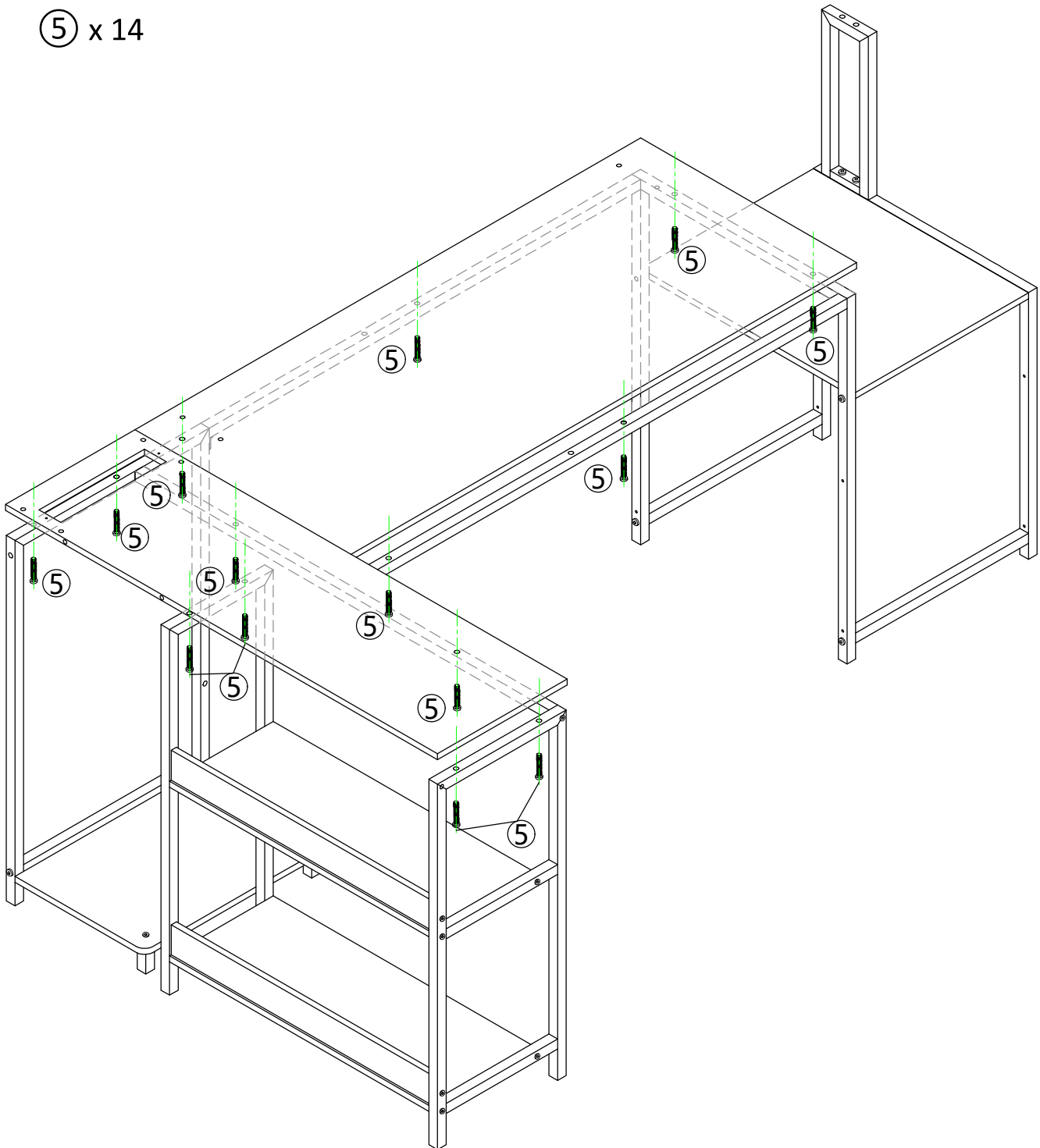
ASSEMBLY INSTRUCTION

STEP 12

Use screws ⑤ to connect panels A and B to the frame of the group, and tighten the screws.



⑤ x 14



ASSEMBLY INSTRUCTION

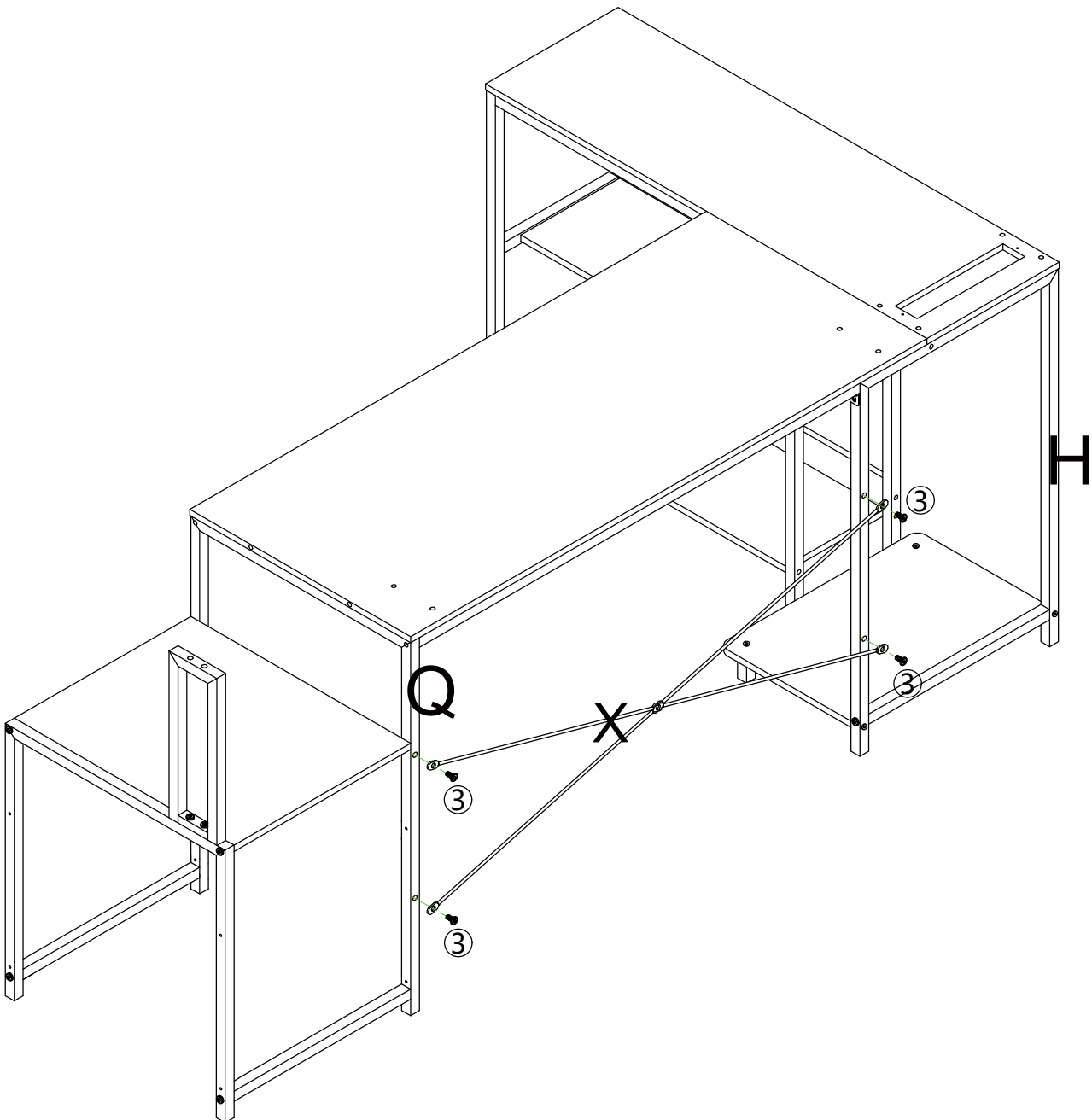
STEP 13

Connect the X frame with ③ screw and tighten the screw.



③ x 4

X x 1



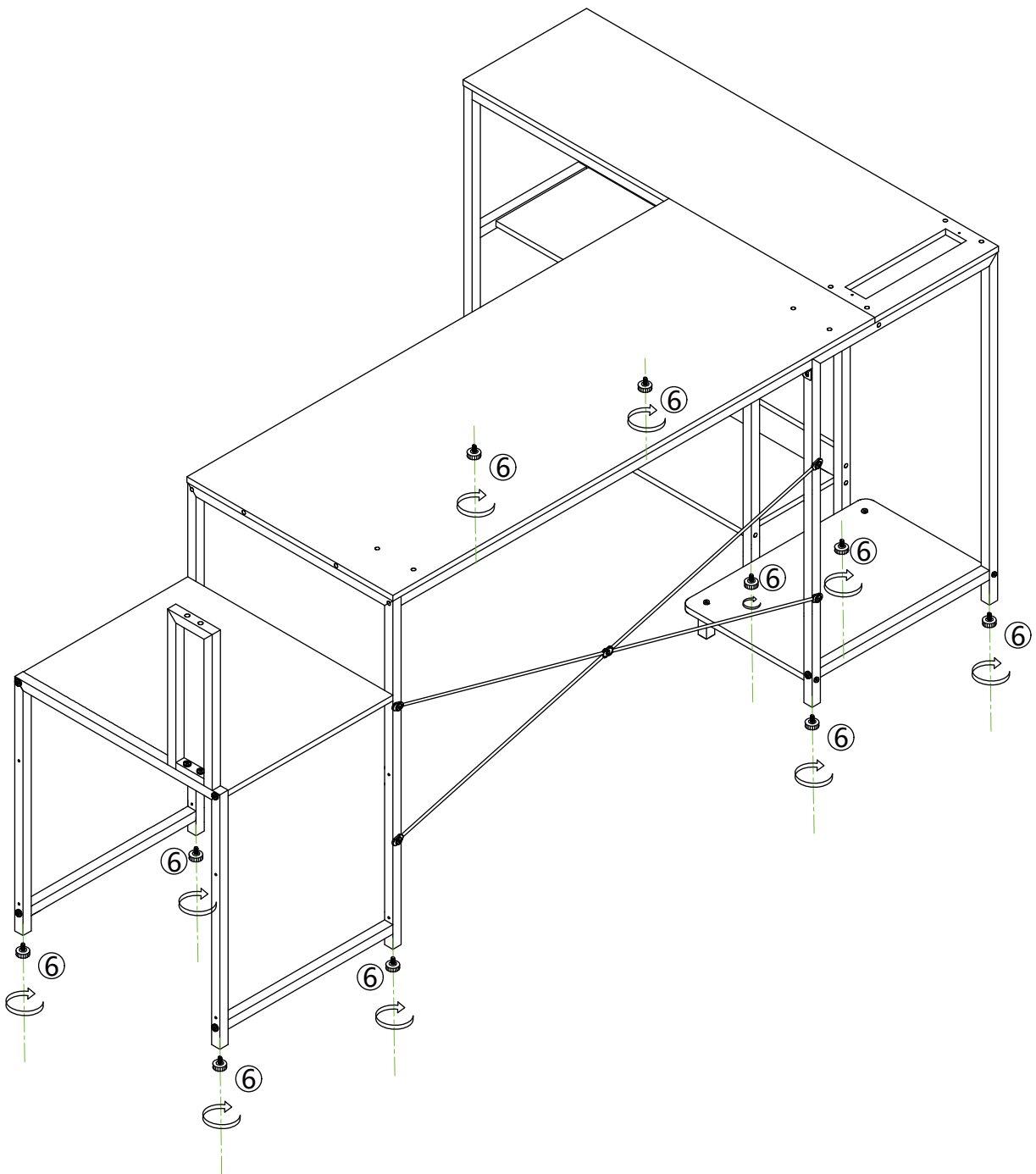
ASSEMBLY INSTRUCTION

STEP 14

Install ⑥ foot pad.



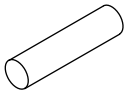
⑥ x 10



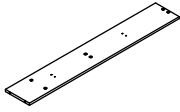
ASSEMBLY INSTRUCTION

STEP 15

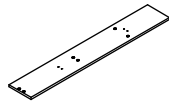
Connect F1 and F2 with ④ wooden tenon.



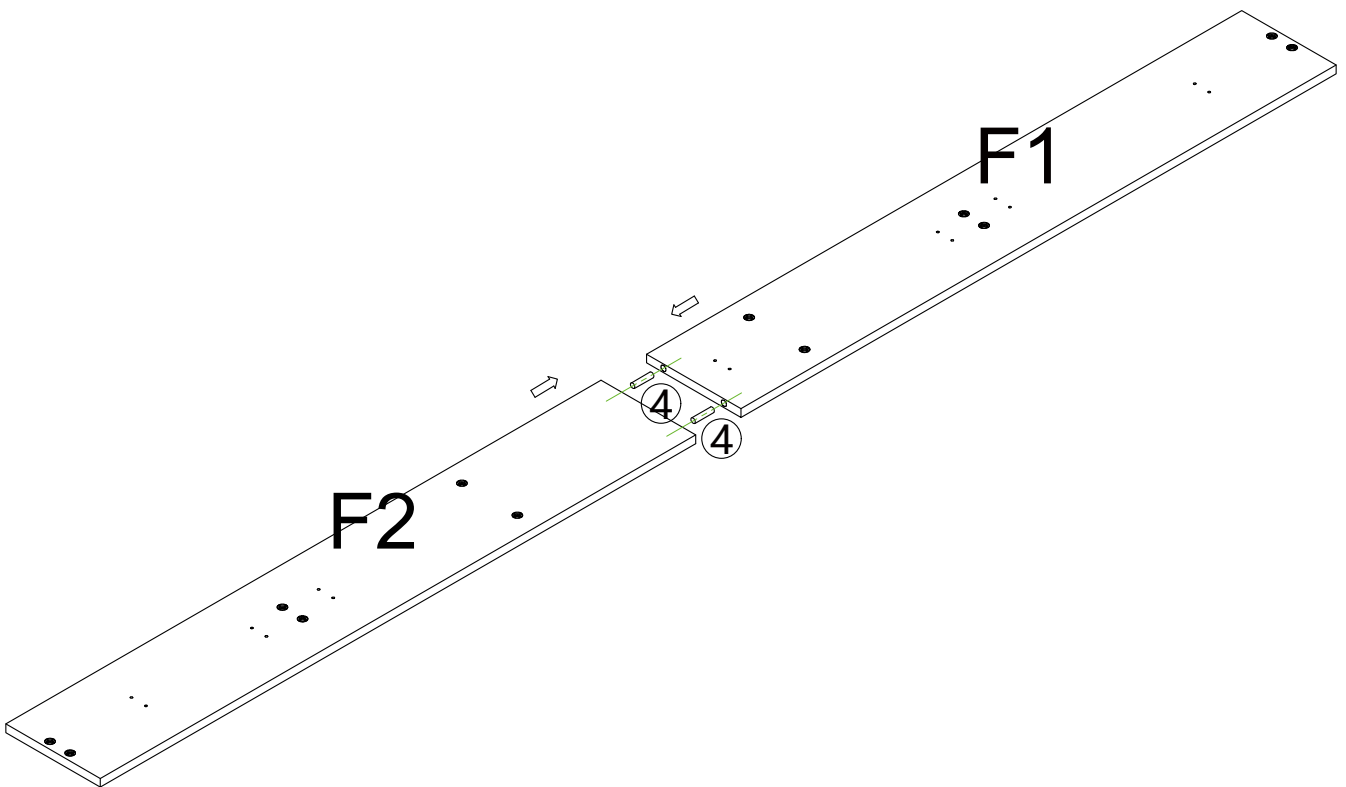
④ x 2



F1 x 1



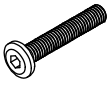
F2 x 1



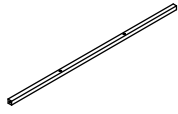
ASSEMBLY INSTRUCTION

STEP 16

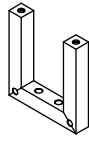
Connect the two V and two U square tubes with ② screw and tighten the screws.



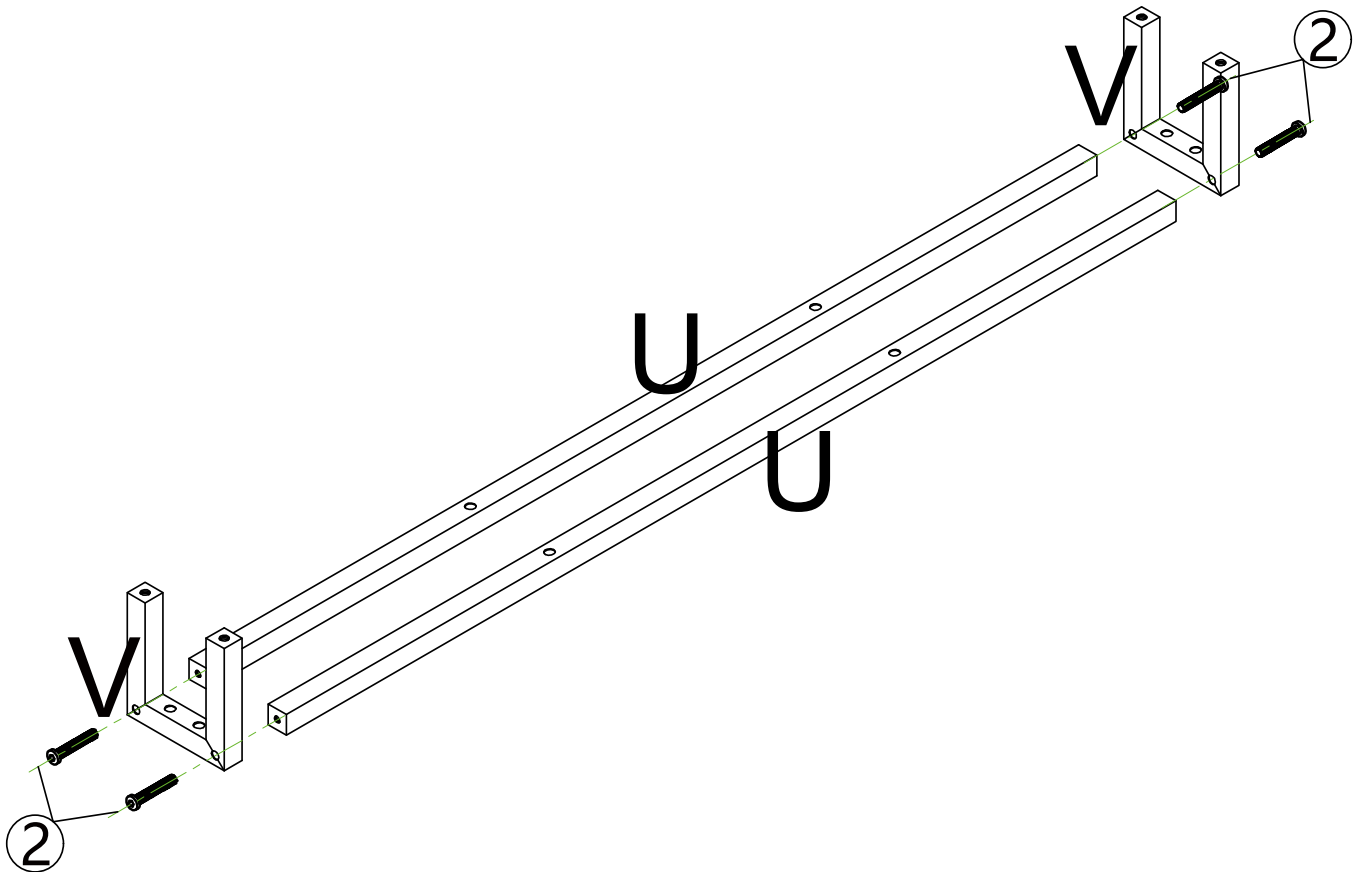
② x 4



U x 2



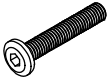
V x 2



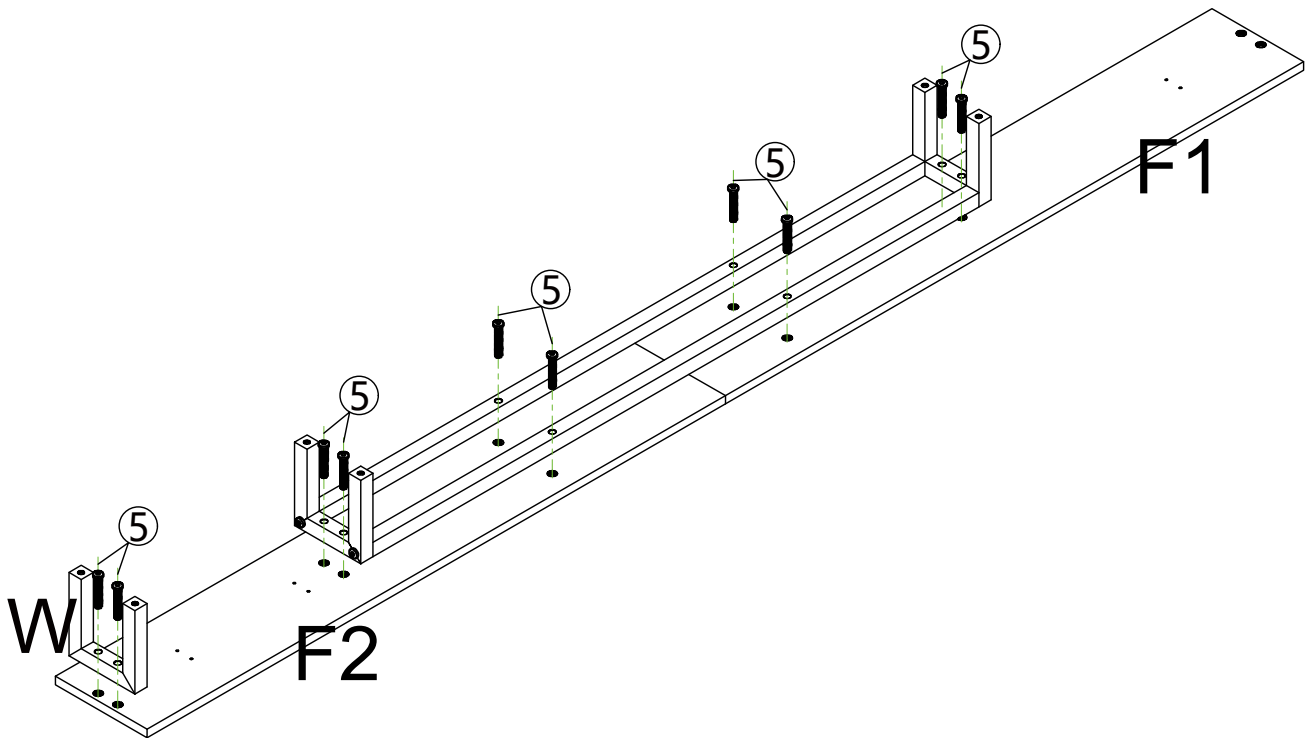
ASSEMBLY INSTRUCTION

STEP 17

Use screw ⑤ to connect plate W to F1 and F2, while fixing the assembled plate U and locking the screws tightly.



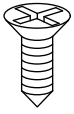
⑤ x 10



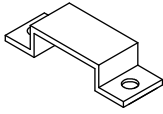
ASSEMBLY INSTRUCTION

STEP 18

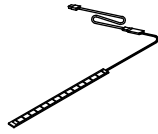
Install the light strip.



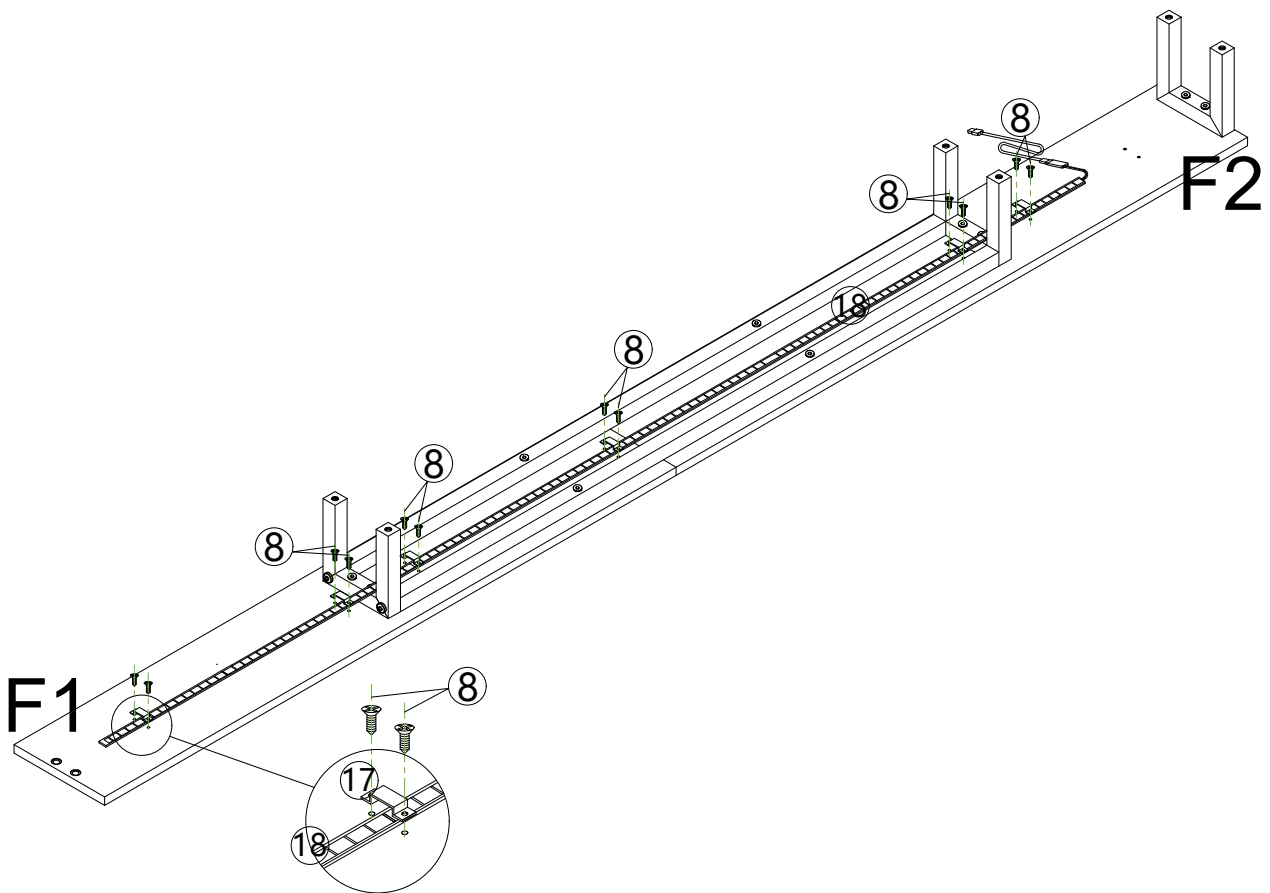
⑧ x 12



⑰ x 6



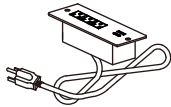
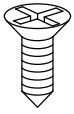
⑱ x 1



ASSEMBLY INSTRUCTION

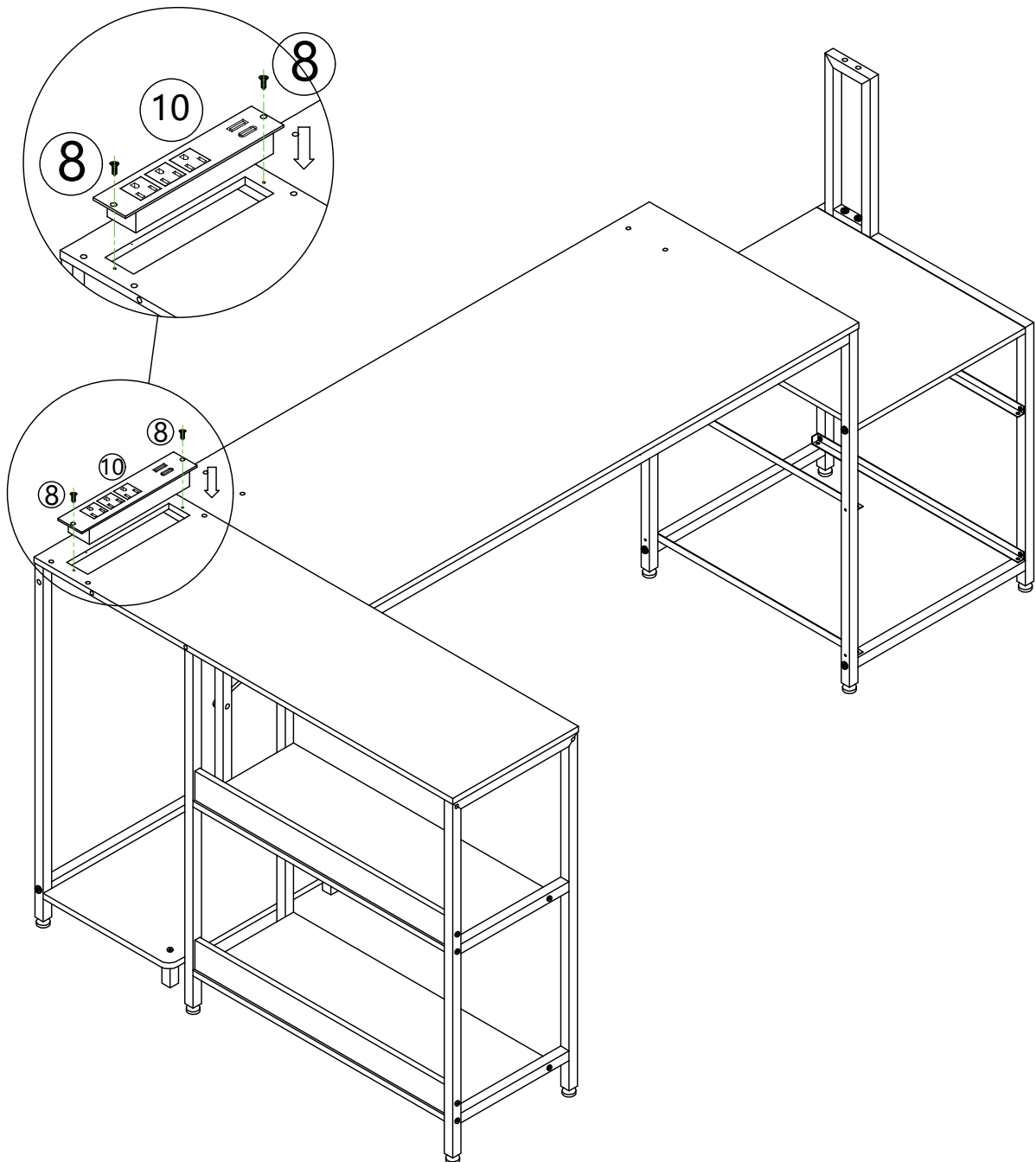
STEP 19

Fix **10** row onto the B board with **8** screw and tighten the screw.



8 x 2

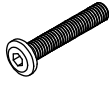
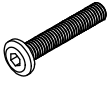
10 x 1



ASSEMBLY INSTRUCTION

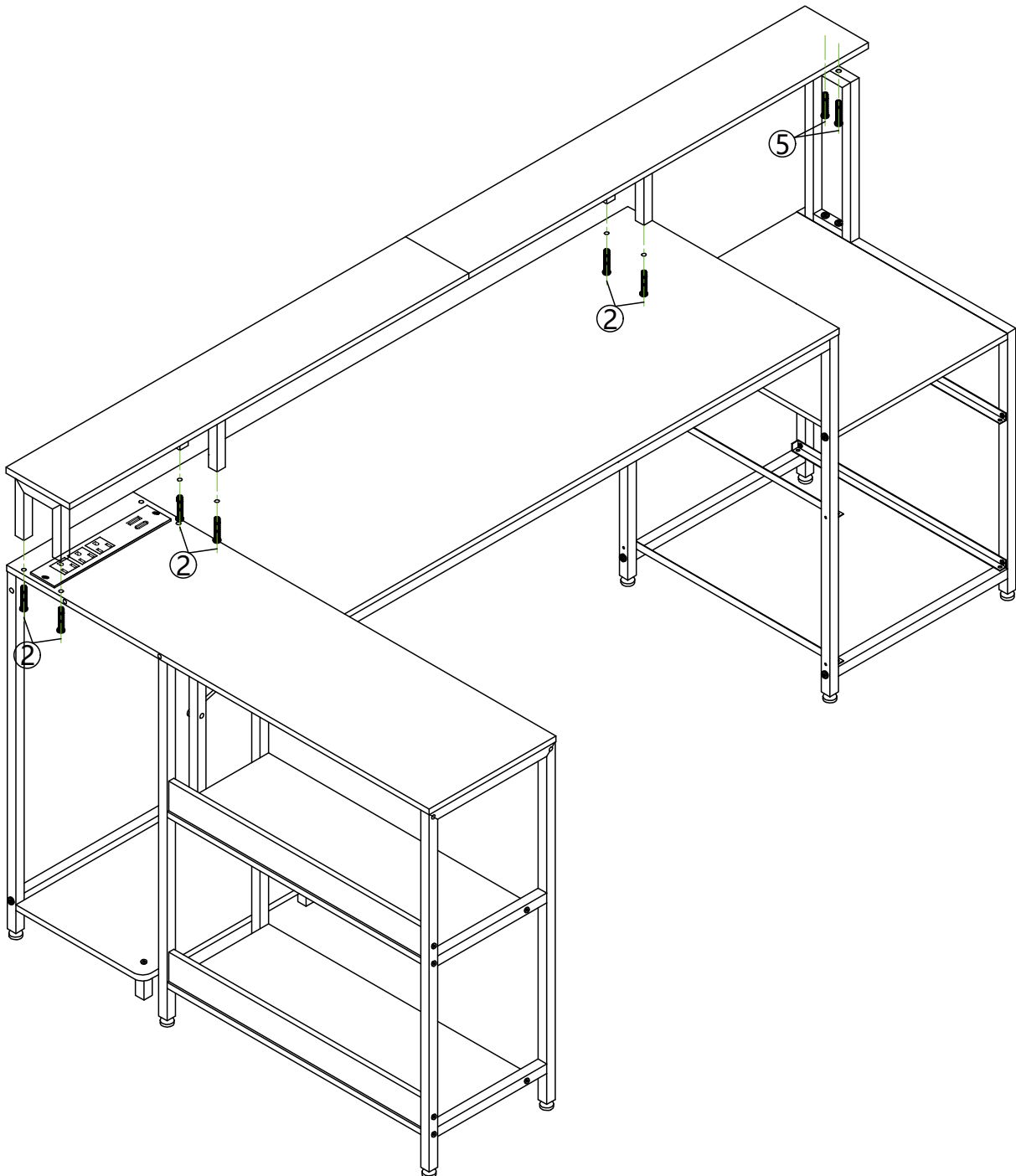
STEP 20

Use screws ② and ⑤ to lock the monitor stand.



② x 6

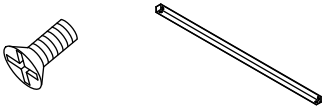
⑤ x 2



ASSEMBLY INSTRUCTION

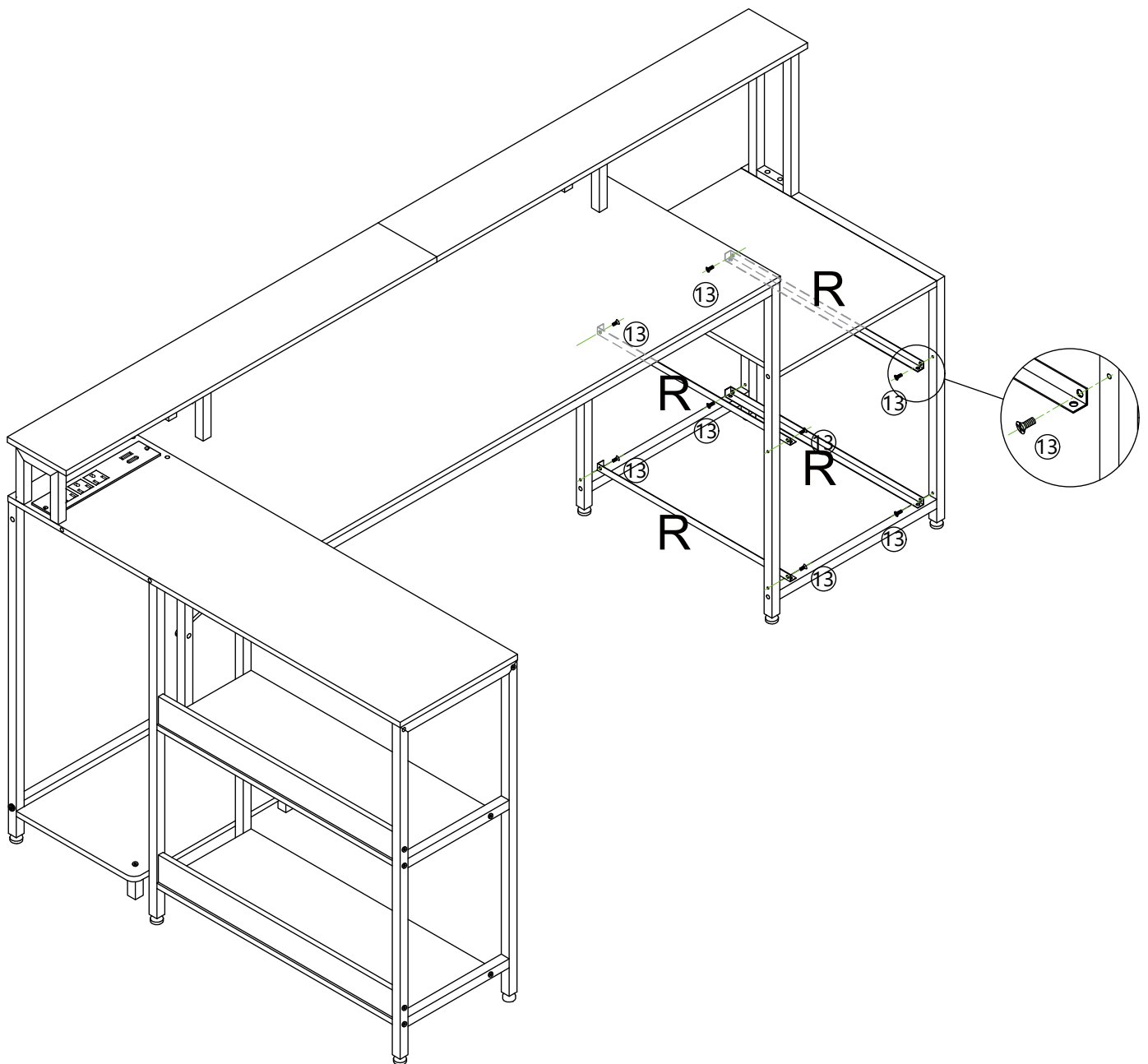
STEP 21

Connect the R, Q, and P numbers with **13** screw and tighten the screw.



13 x 8

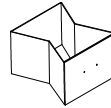
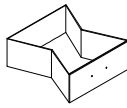
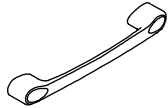
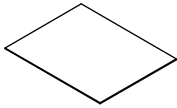
R x 4



ASSEMBLY INSTRUCTION

STEP 22

Place ⑨ into Z and Y then use ⑬ screw to connect the ⑪ handle to the Z and Y cloth, and tighten the screw.



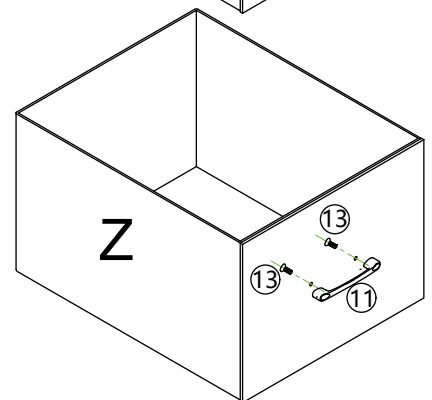
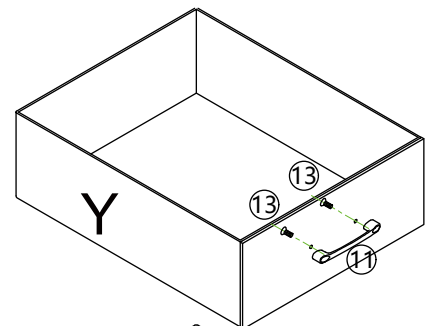
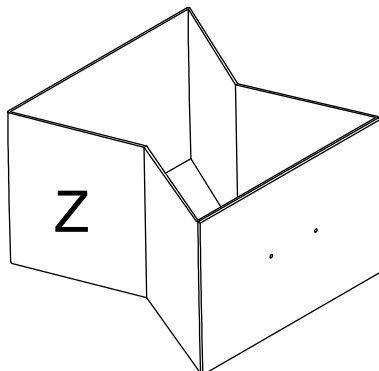
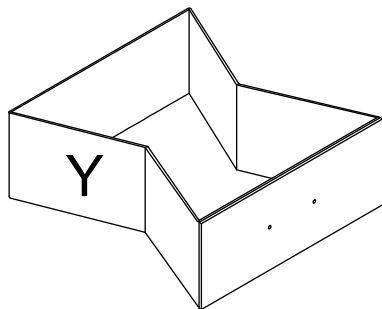
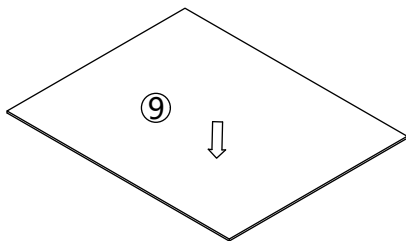
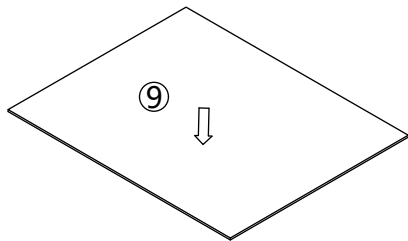
⑬ x 4

⑨ x 2

⑪ x 2

Y x 1

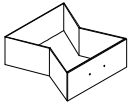
Z x 1



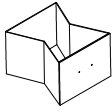
ASSEMBLY INSTRUCTION

STEP 23

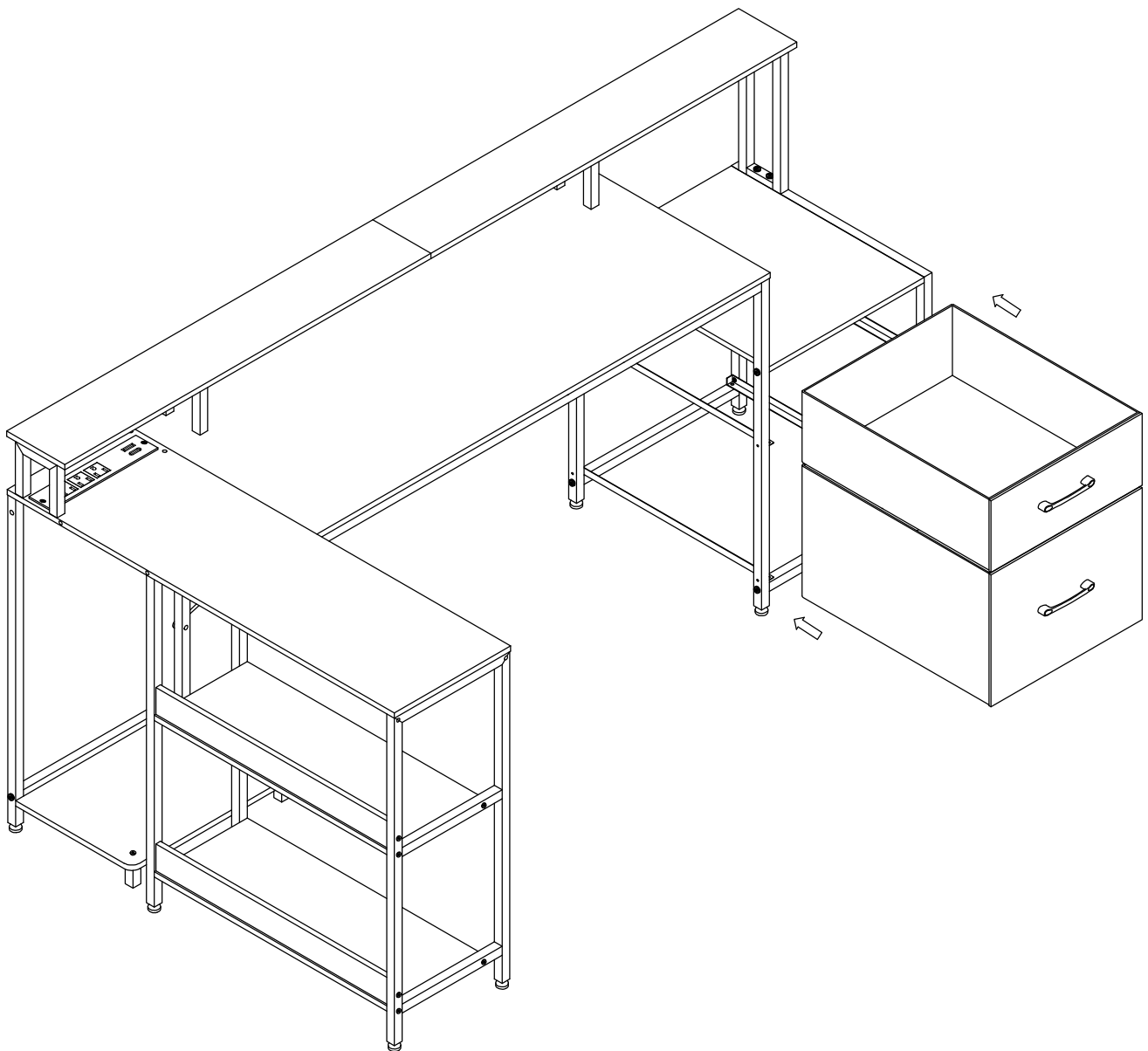
Insert drawers Y and Z .



Y x 1



Z x 1



ASSEMBLE ACCOMPLISHED

