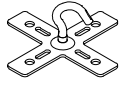


X 3PCS

X 9PCS

X 9PCS

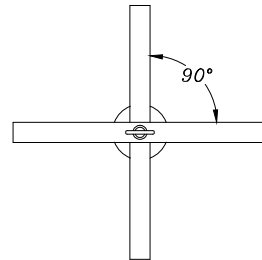
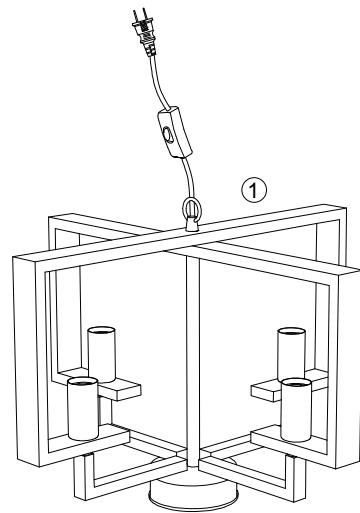
① light fixture 1pcs



③ bracket hook
2pcs

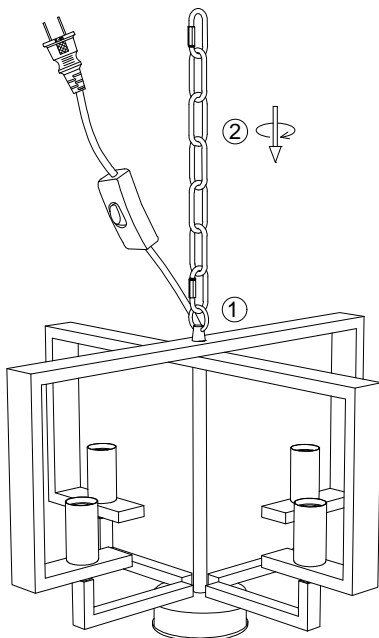


② chain 1pcs

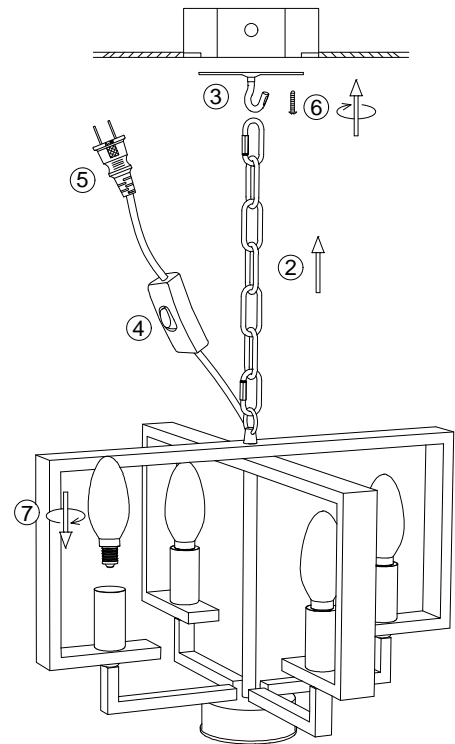


(vertical view)

1. Adjust the light arm to suitable position like picture shown.



2. Hang the chain ② to the fixture ①.



3. Install the bracket hook ③ to the ceiling junction box with screw ⑥.

4. Hang the fixture to the hook ③.

5. Install the bulb ⑦.

6. Plug in the switch ⑤ and switch on the light with button ④.

Y0220-4

Please read carefully before installation!!!

Note : Please make sure that the electricity is powered off during installation !

Only a professional electrician should install this kind of product !