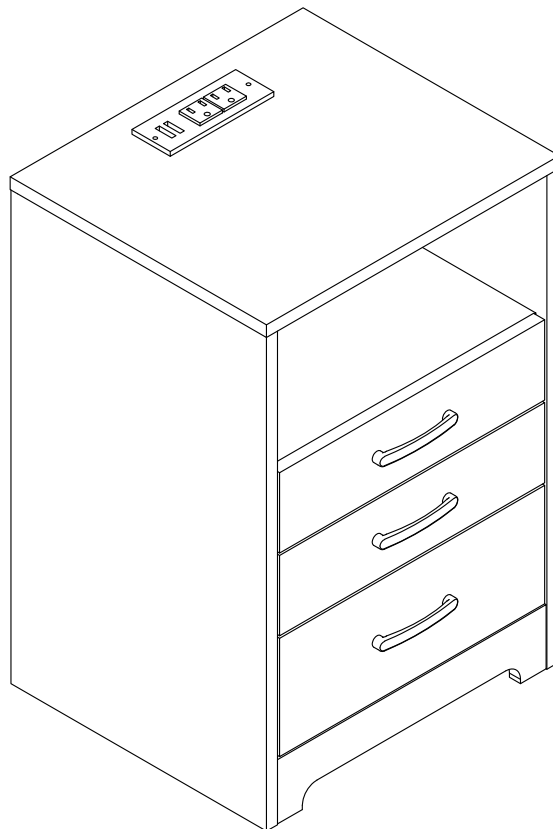

VM8031

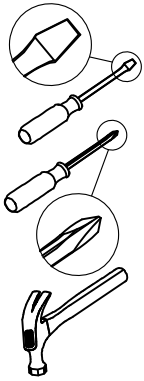


As this item contains many parts, please read the installation instruction carefully before installation . Please use tools properly and carefully. If you have any questions about the product and installation, please contact us.

hosoteservice@gmail.com

Our professional after-sales team will serve you online all day.

Before You Start



- ✓ Read through each step carefully and follow the proper order
- ✓ Separate and count all your parts and hardware
- ✓ Give yourself enough room for the assembly process
- ✓ Have the following tools: Flat Head Screwdriver, #2 Phillips Head Screwdriver and Hammer
- ✓ Caution: If using a power drill or power screwdriver for screwing, please be aware of to slow down and stop when screw is tight. Failure to do so may result in stripping the screw. (Assembly speed can be increased by using electric screwdriver)

Helpful Hints

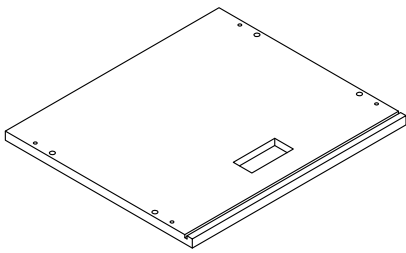
PEOPLE NEEDED FOR ASSEMBLY: 1-2

- Open your item in the area you plan to keep it to avoid excessive heavy lifting.
- Identify, sort and count the parts before attempting assembly.
- Compression dowels are lightly tapped in with a hammer.
- Slides are labeled with an **R** (right) and **L** (left) for proper placement.
- Make sure to always face the point on the top of the Cam Lock towards the outer edge.
- If there is a back panel in the package, please install it to make sure your unit is complete and sturdy.
- Please fix all the screws provided for the back panel which can enhance product stability. If it is difficult to fix when tightening, it can be fixed with the help of a hammer and then tightened.
- Do NOT use harsh chemicals or abrasive cleaners on this item.
- Never push, pull, or drag your furniture.



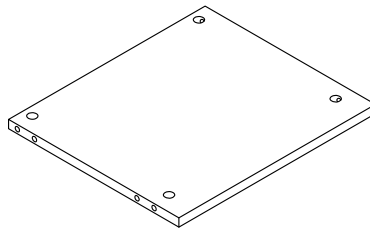
Board Identification

Not actual size



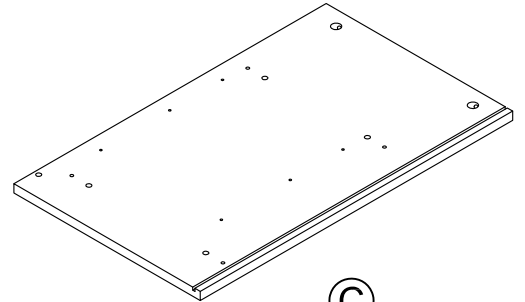
(A)

TOP



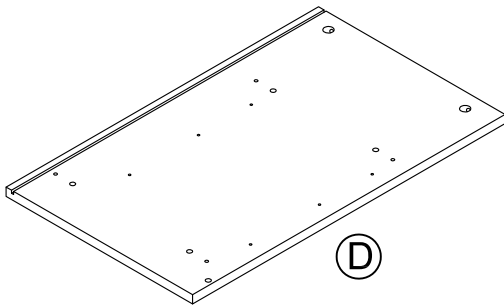
(B)

FIXED SHELF



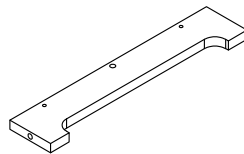
(C)

LEFT SIDE PANEL



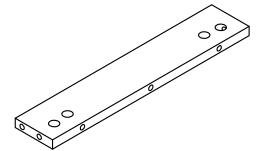
(D)

RIGHT SIDE PANEL



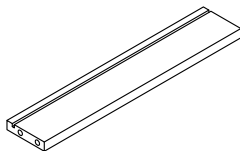
(E)

BOTTOM RAIL



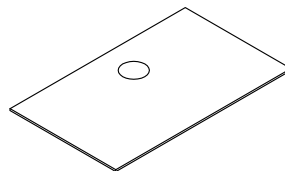
(F)

FRONT RAIL



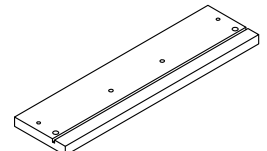
(G)

REAR RAIL



(H)

BACK PANEL

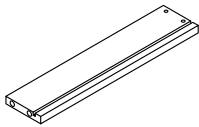


(I)

DRAWER FRONT
PANEL
Qty:2

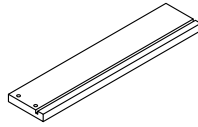
Board Identification

Not actual size



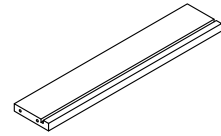
ⓐ

DRAWER LEFT
SIDE PANEL
Qty:2



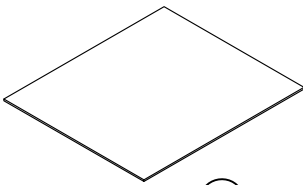
ⓑ

DRAWER RIGHT
SIDE PANEL
Qty:2



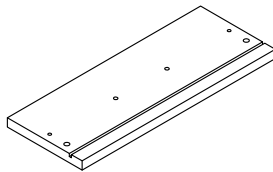
ⓒ

DRAWER BACK PANEL
Qty:2



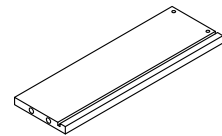
ⓓ

DRAWER BOTTOM
PANEL
Qty:3



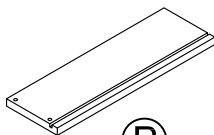
ⓔ

BIG DRAWER FRONT
PANEL



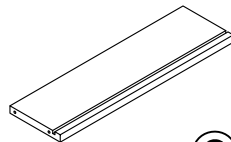
ⓕ

BIG DRAWER LEFT
SIDE PANEL



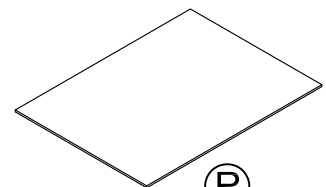
ⓖ

BIG DRAWER RIGHT
SIDE PANEL



ⓗ

BIG DRAWER BACK
PANEL

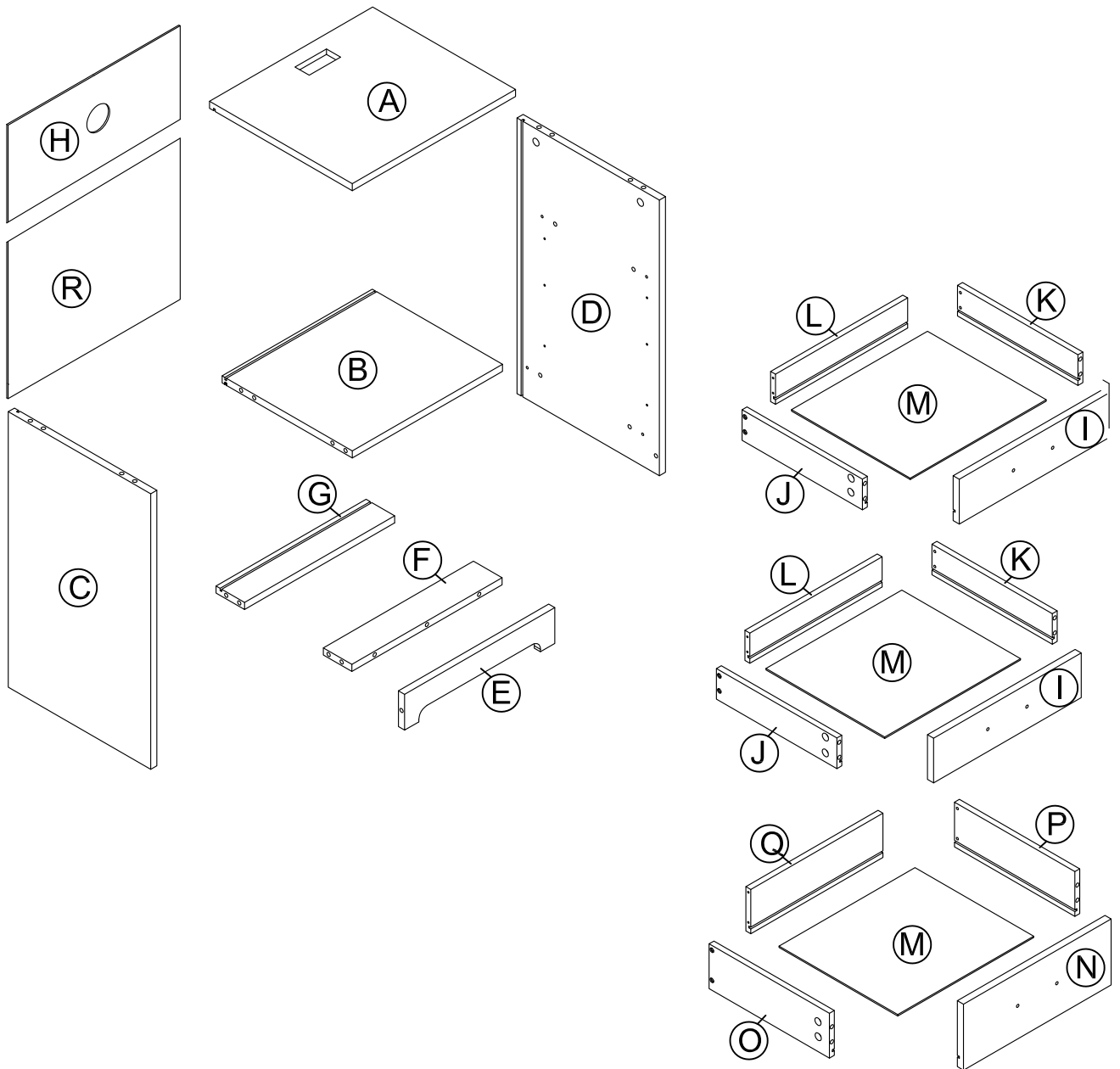


ⓘ


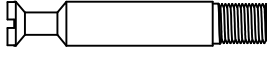

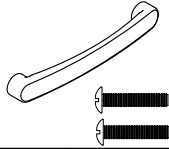
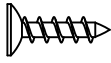
BACK PANEL

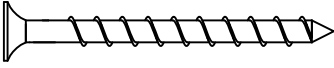
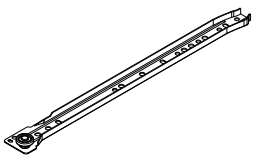
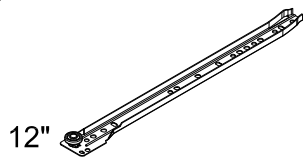
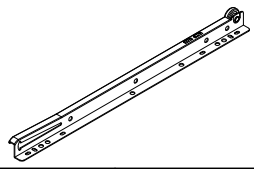
Board Identification

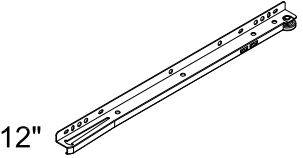
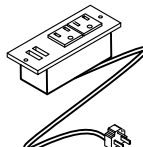
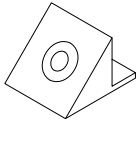
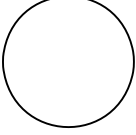
Not actual size



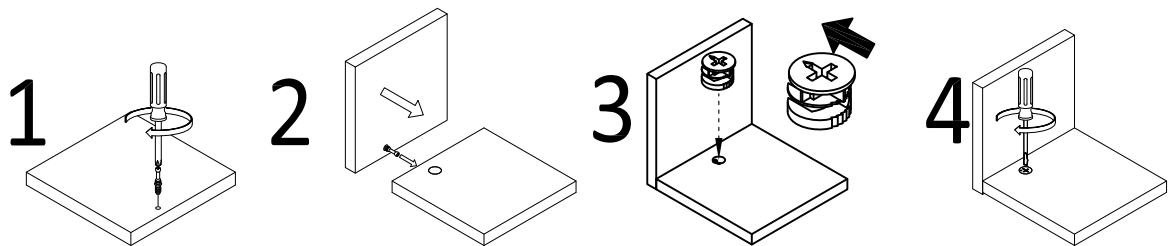
Part List

				
Ø15X9mm	Ø6.5X35mm	Ø8X30mm		Ø3.5X14mm
① X27	② X27	③ X14	④ X3	⑥ X38
CAM LOCK spare: 2	CAM BOLT spare: 2	WOOD DOWEL spare: 1	HANDLE	SCREW spare: 2

			
Ø3.5X35mm	12"	12"	12"
⑤ X12	7CL X3	7CR X3	7DL X3
SCREW spare: 1	LEFT CABINET MEMBER RIGHT CABINET MEMBER		LEFT DRAWER RUNNER

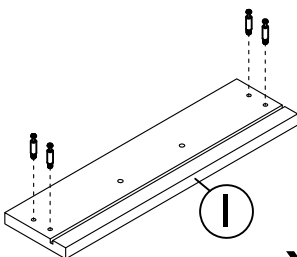
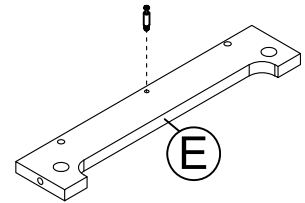
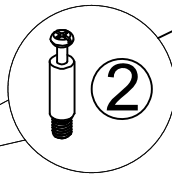
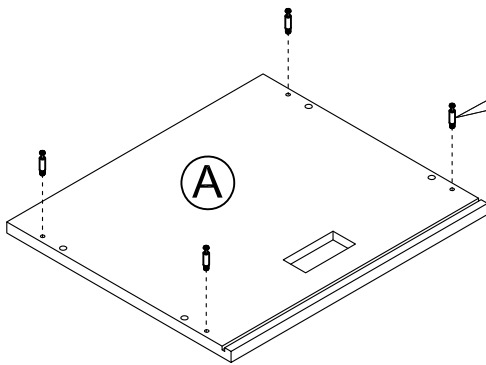
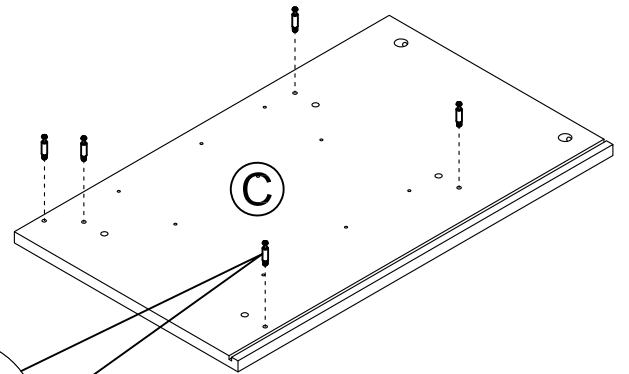
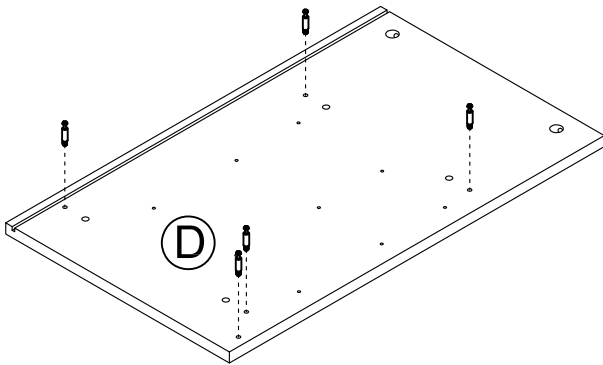
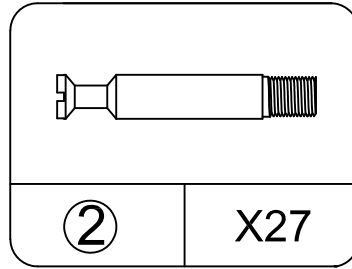
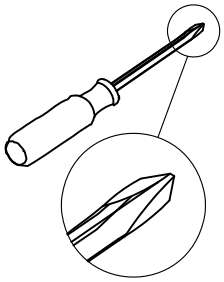
			
12"			
7DR X3	⑧ X1	⑨ X6	⑩ X5
RIGHT DRAWER RUNNER	POWER STRIP	BACK PANEL BUCKLE	

Cam Lock Fastening System

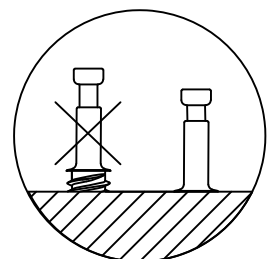
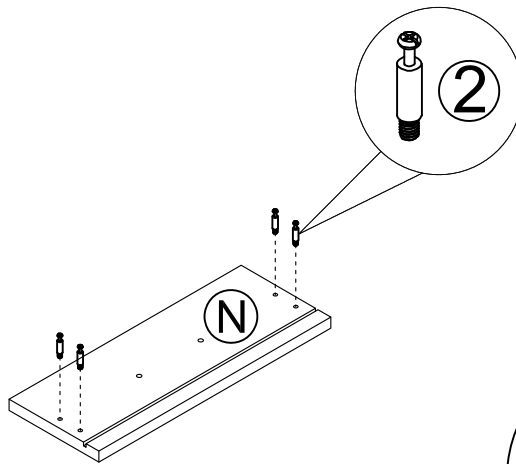


This Cam Lock Fastening System will be used throughout the assembly process.

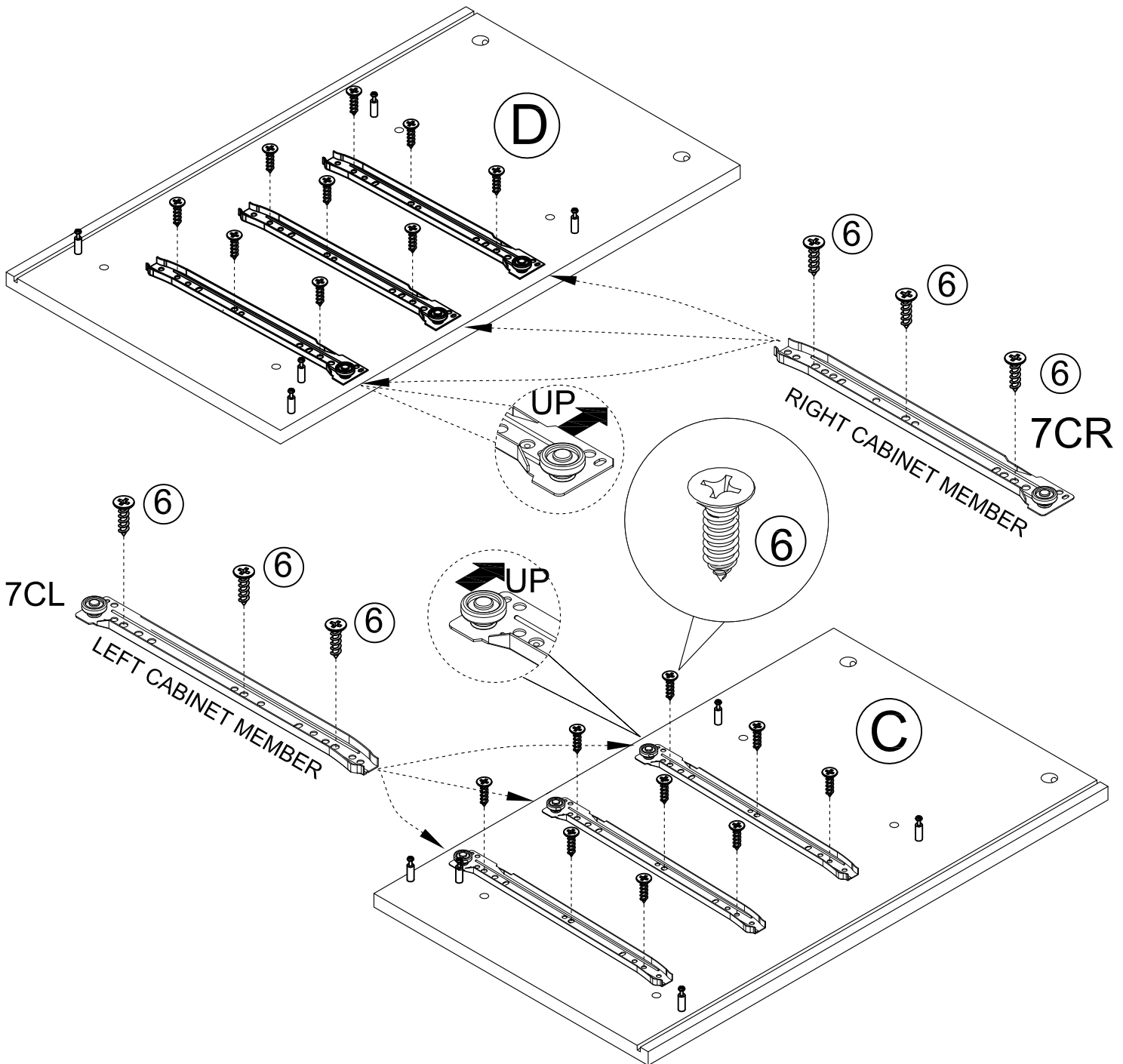
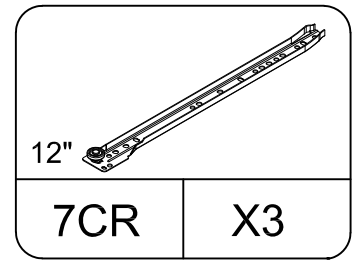
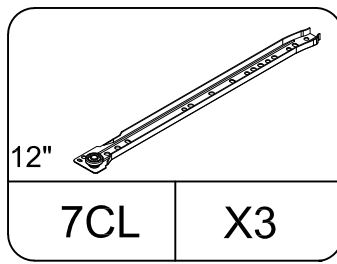
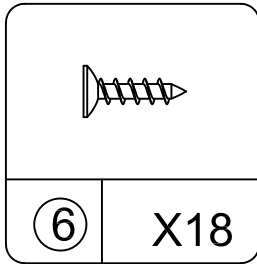
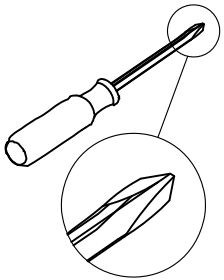
STEP 1



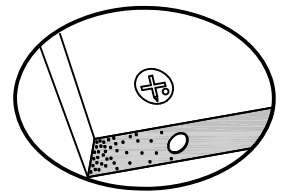
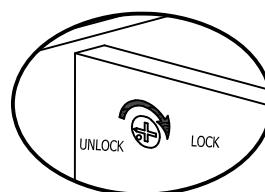
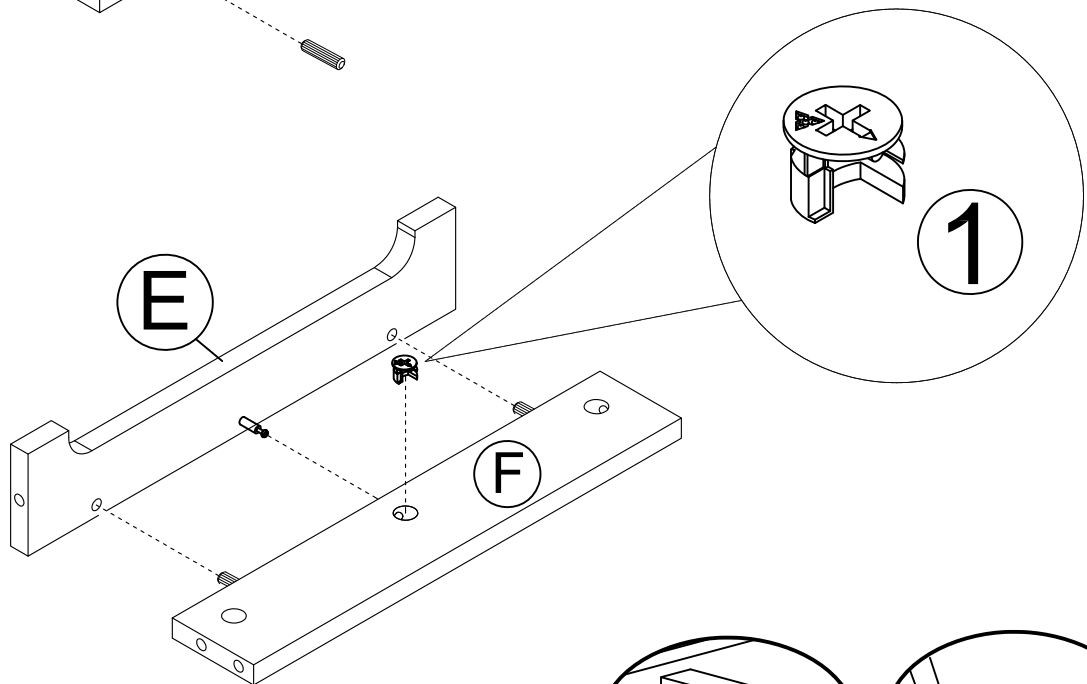
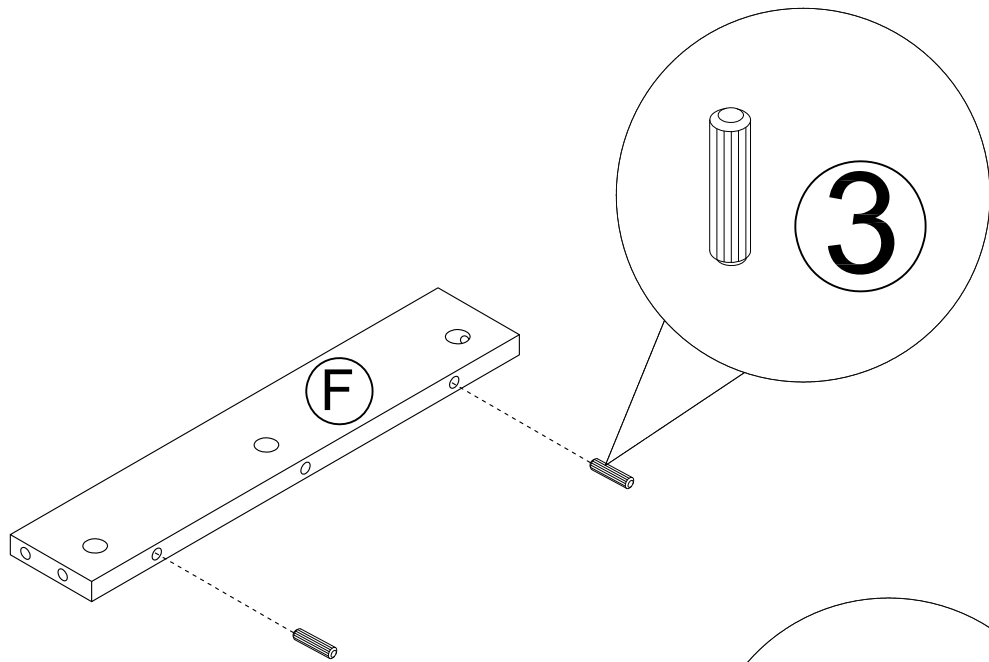
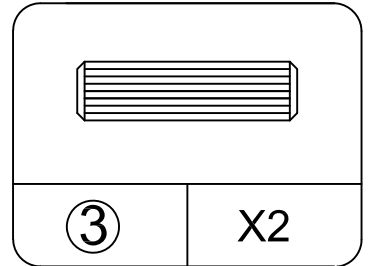
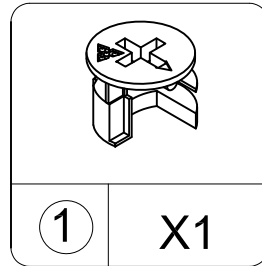
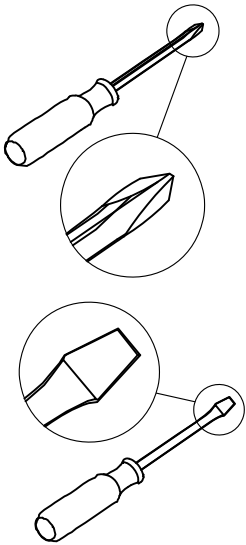
X 2



STEP 2

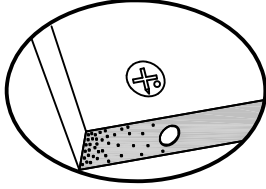
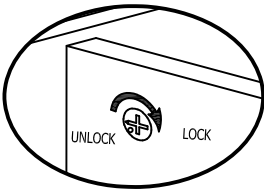
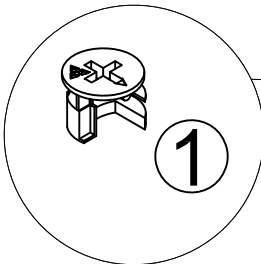
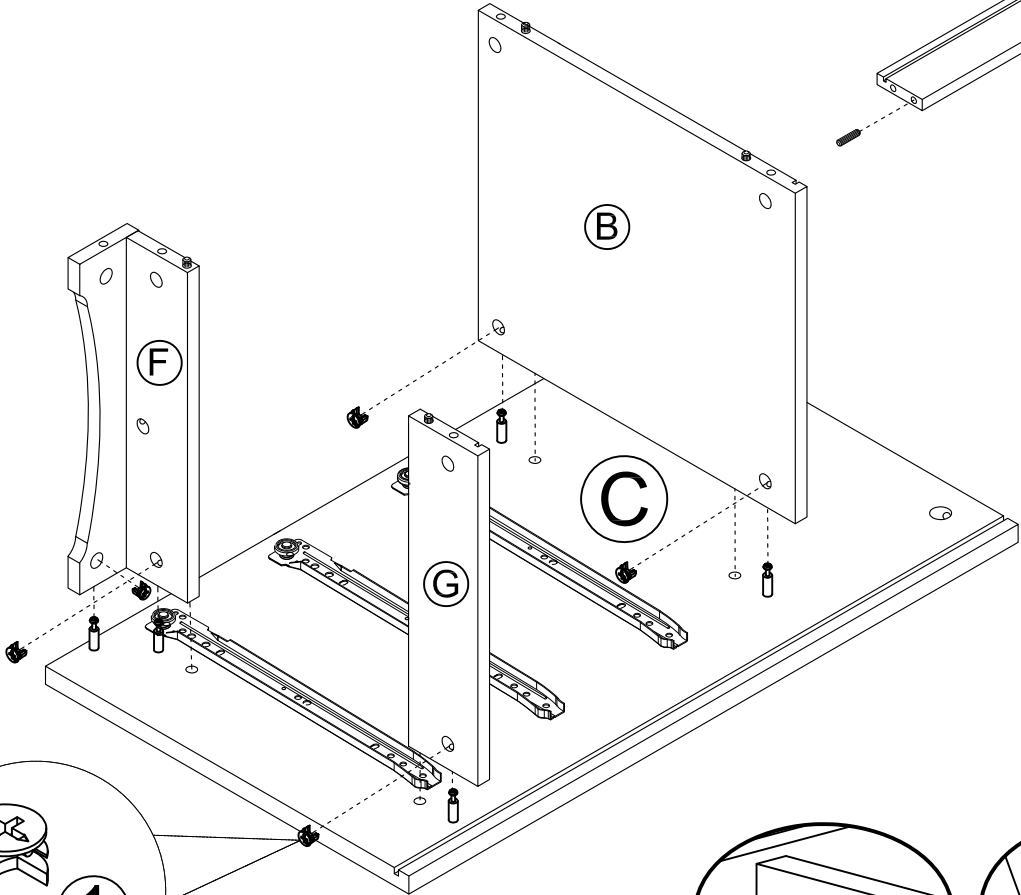
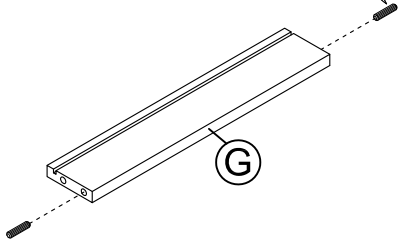
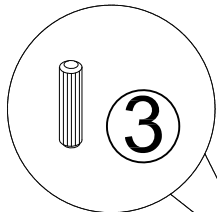
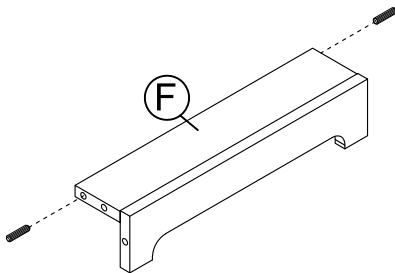
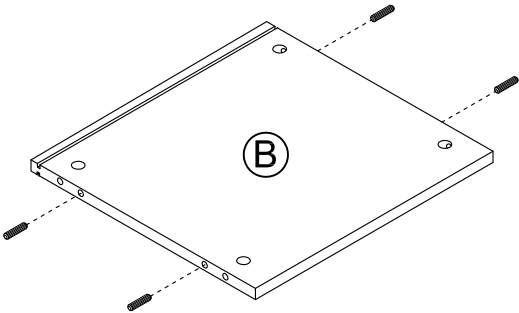
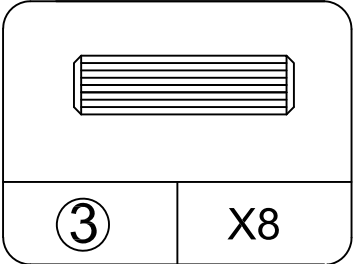
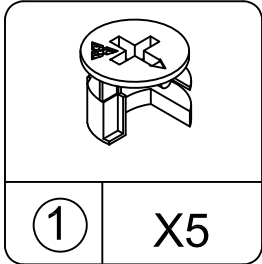
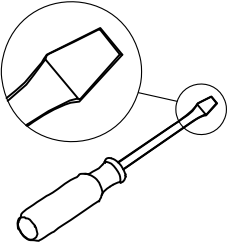


STEP 3



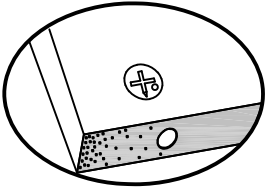
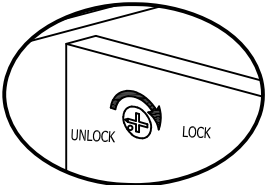
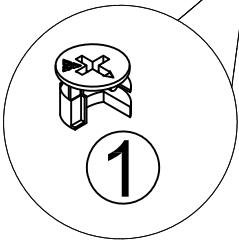
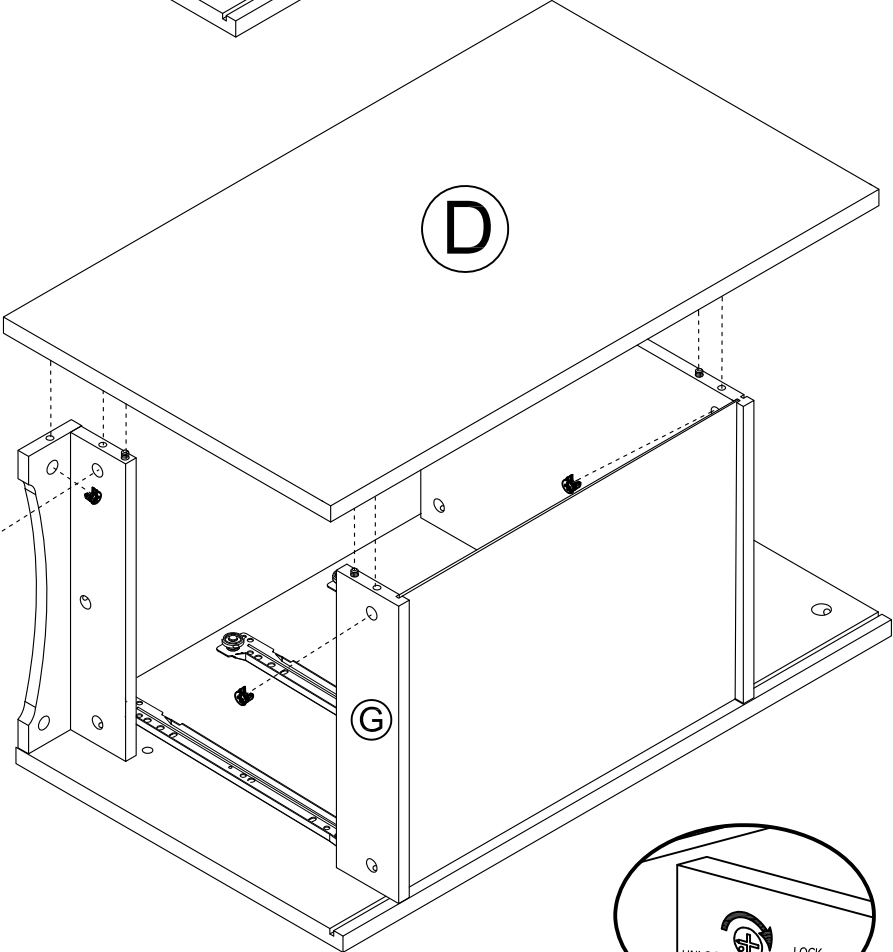
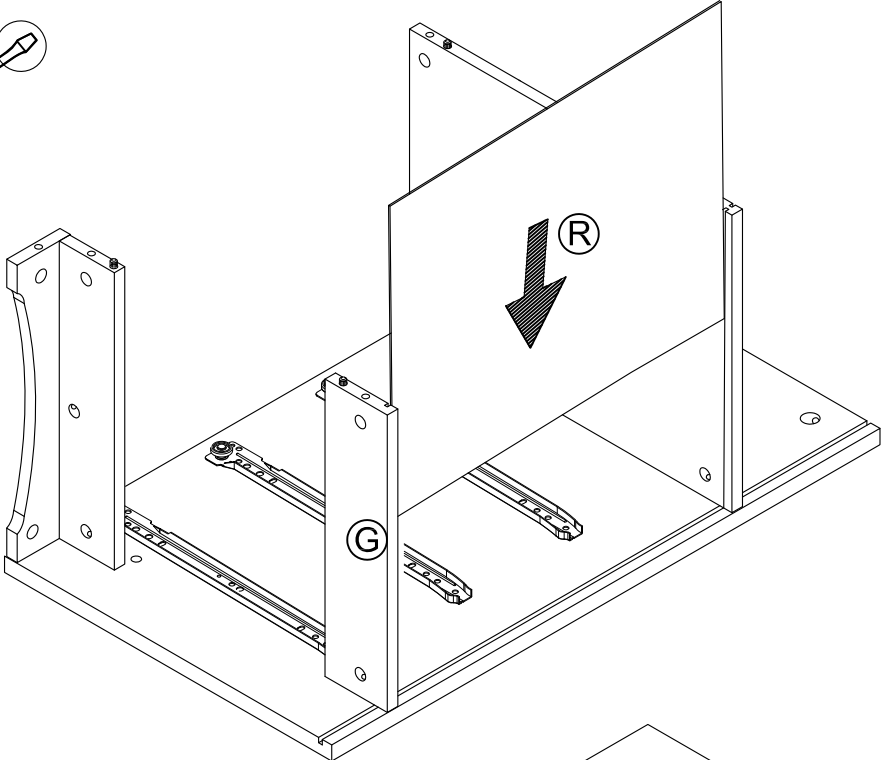
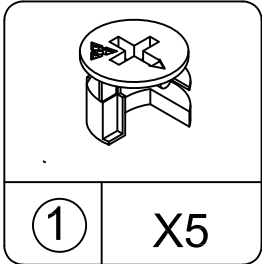
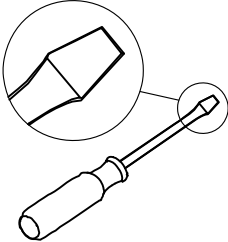
Proper orientation of CAM LOCK

STEP 4



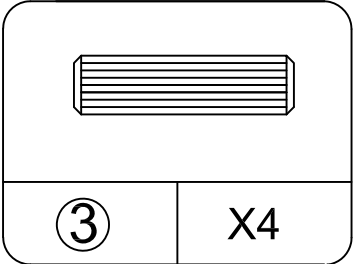
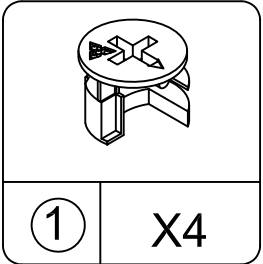
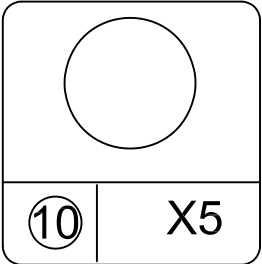
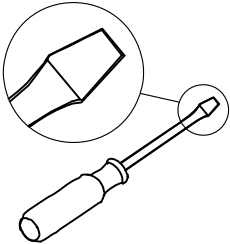
Proper orientation of CAM LOCK

STEP 5

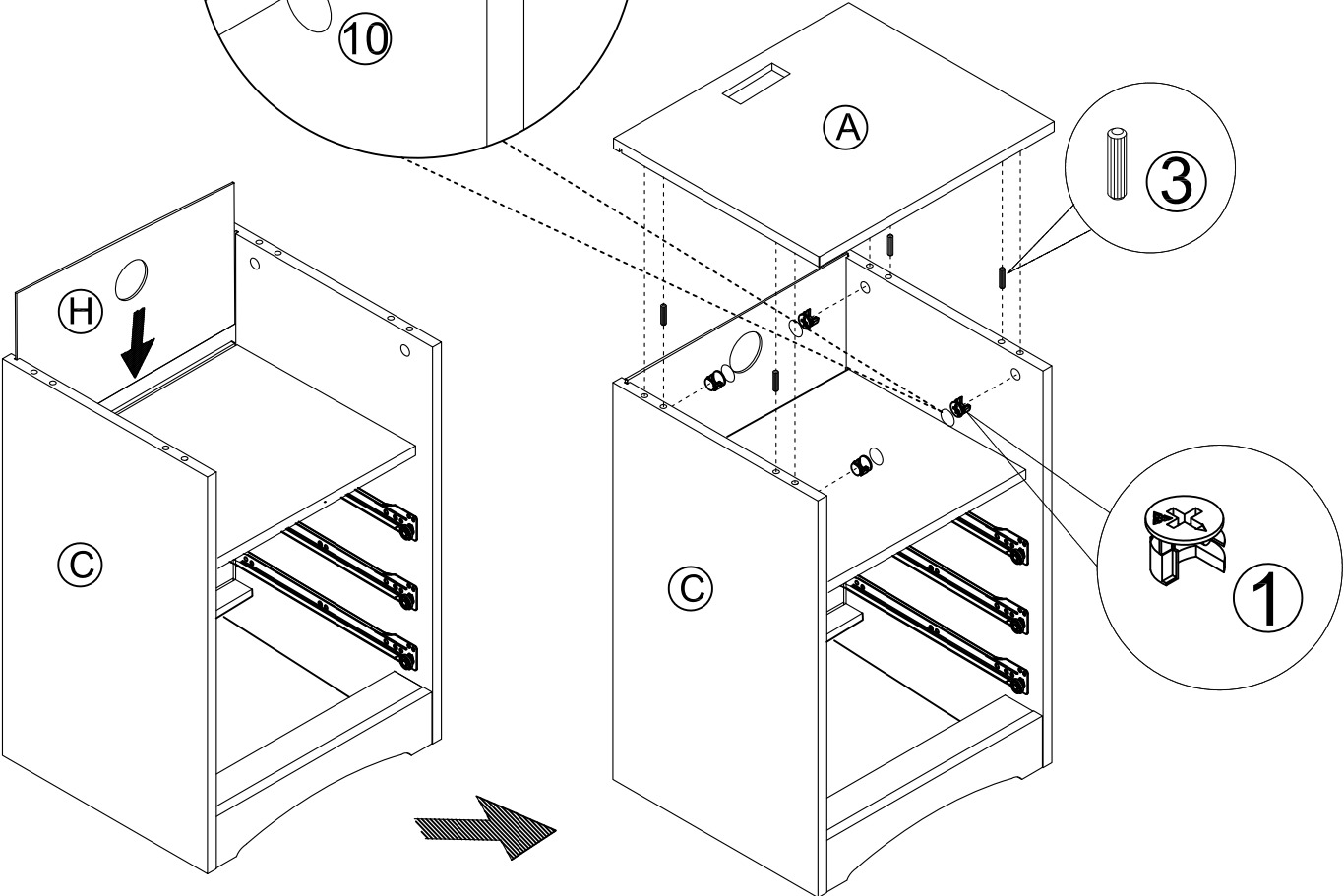
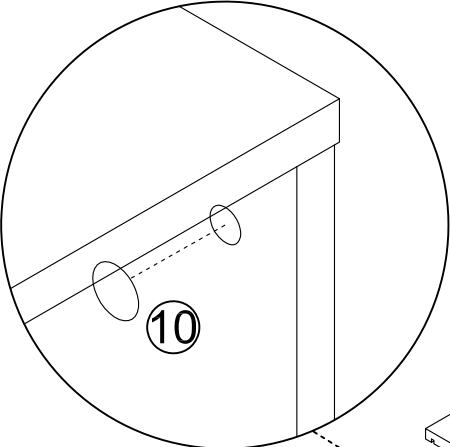


Proper orientation of CAM LOCK

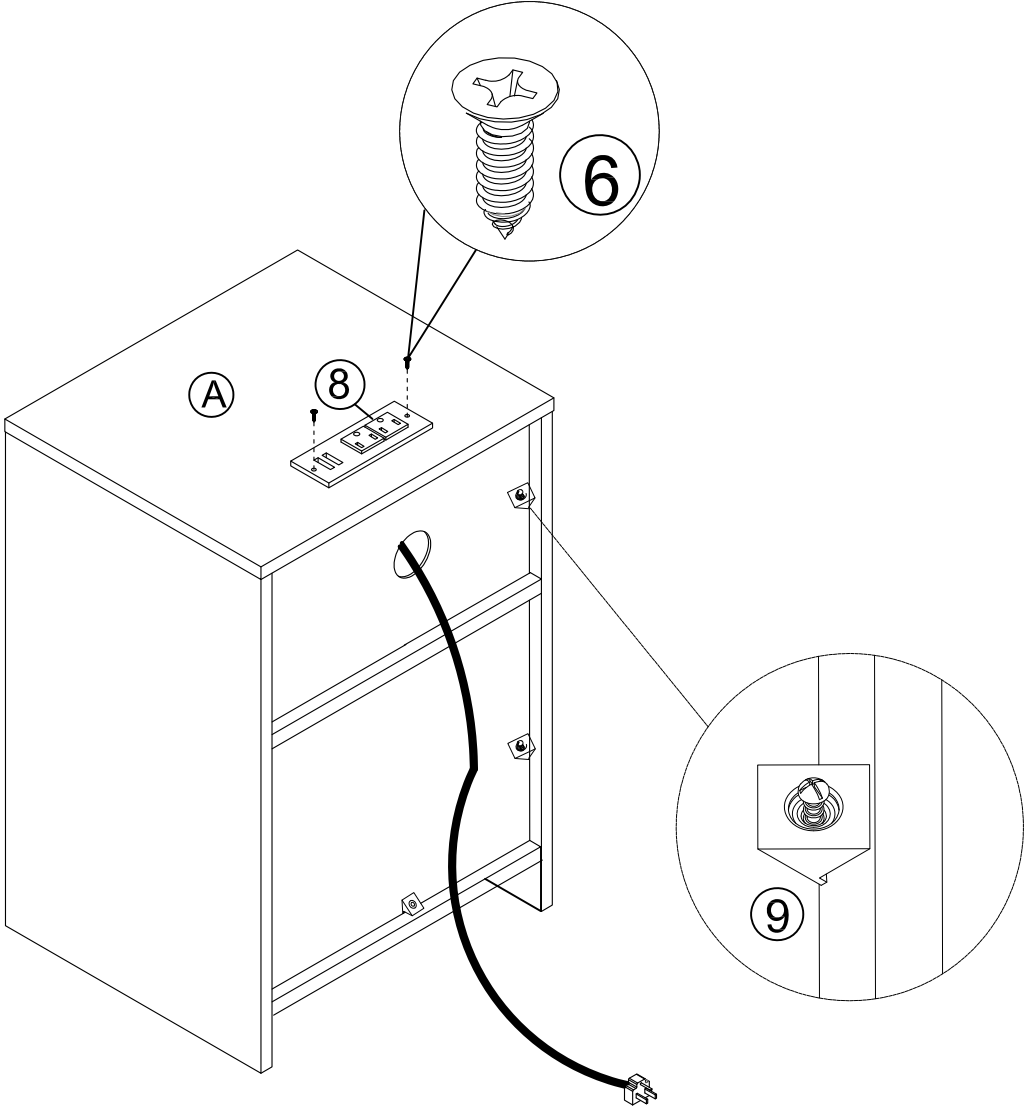
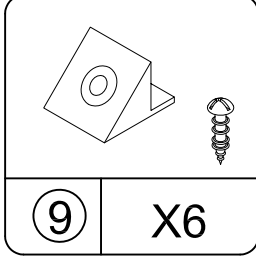
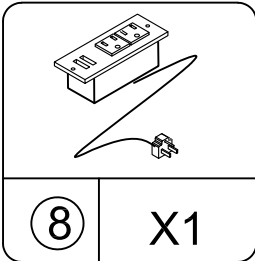
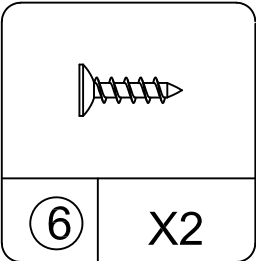
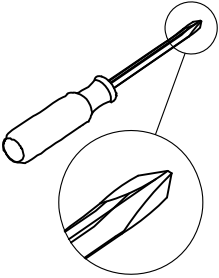
STEP 6



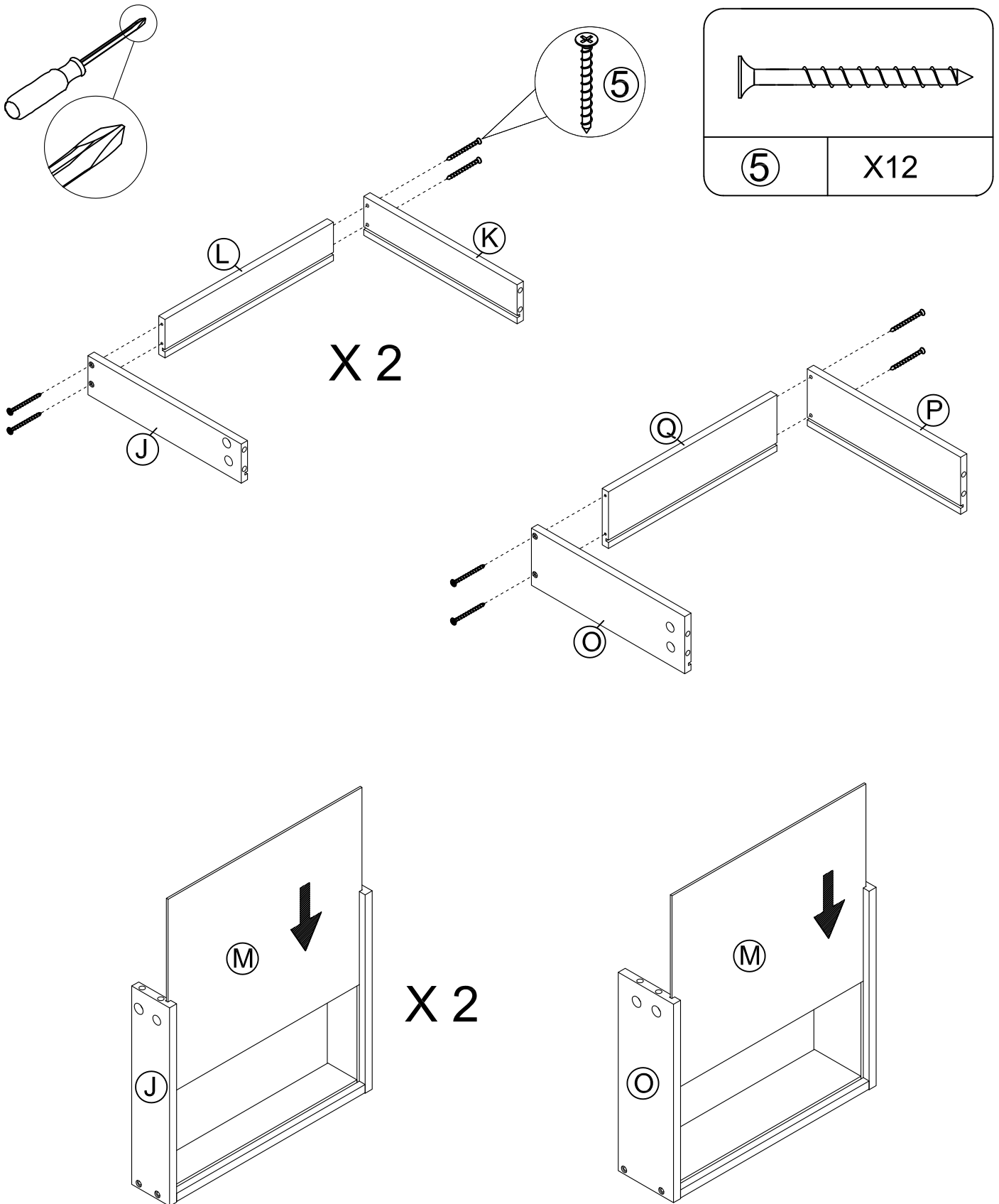
PERFECT STICKER



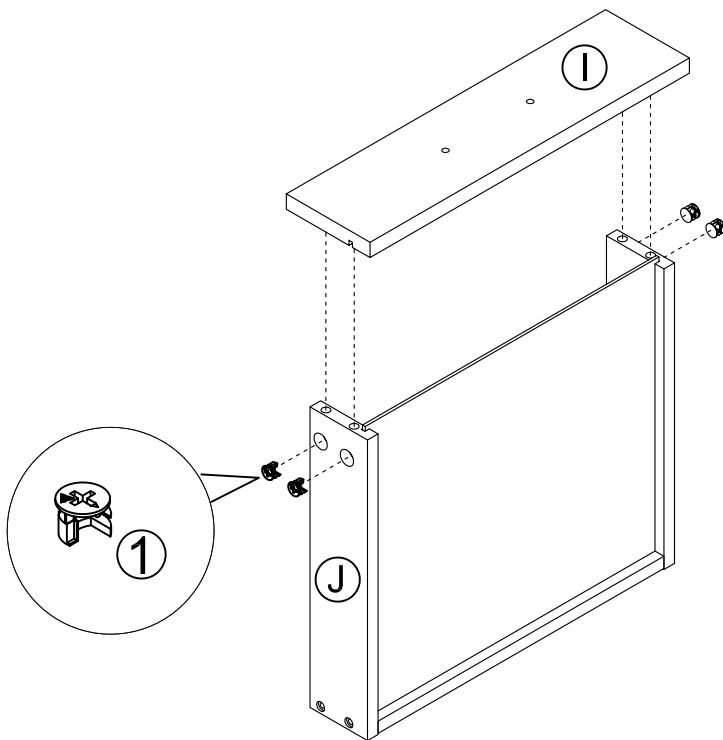
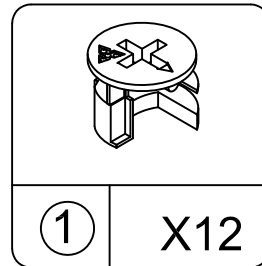
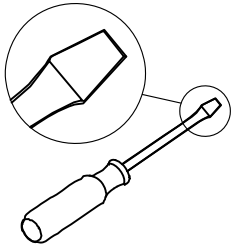
STEP 7



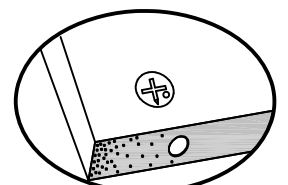
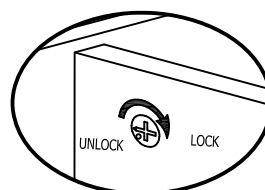
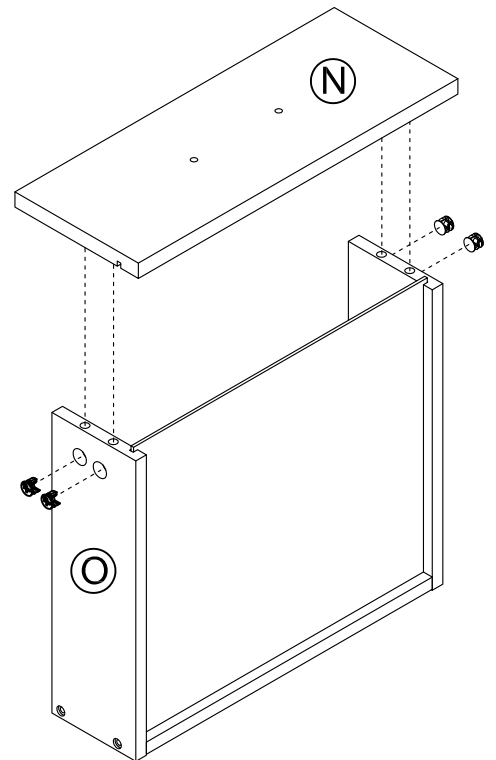
STEP 8



STEP 9

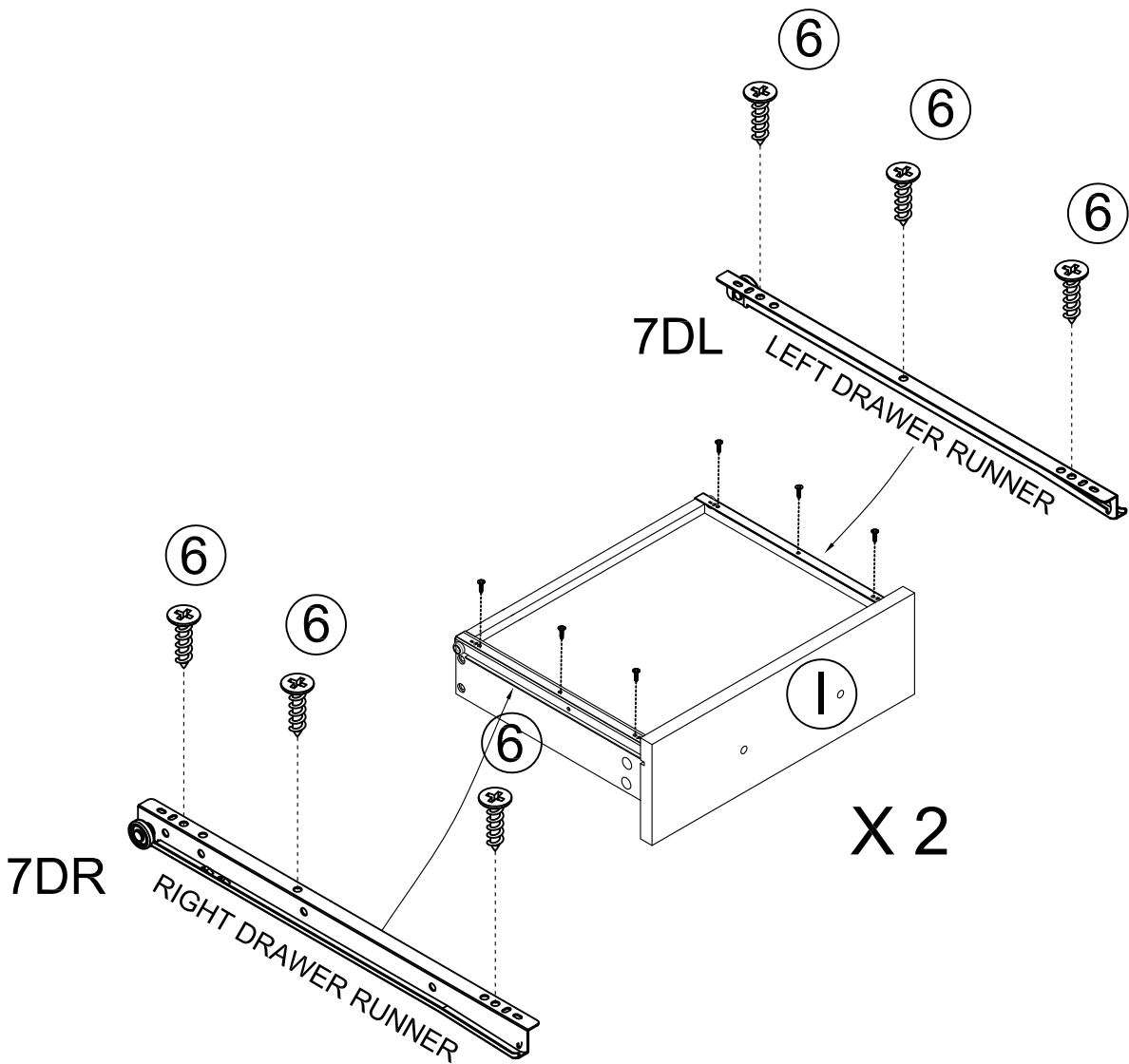
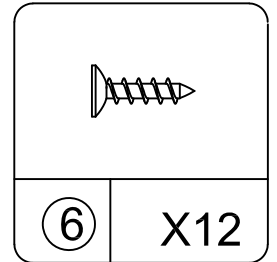
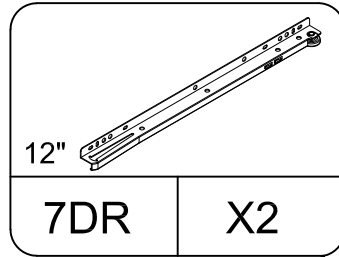
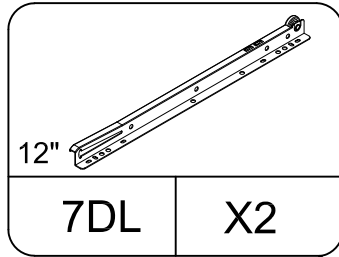
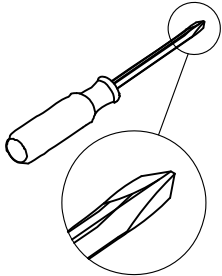


X 2

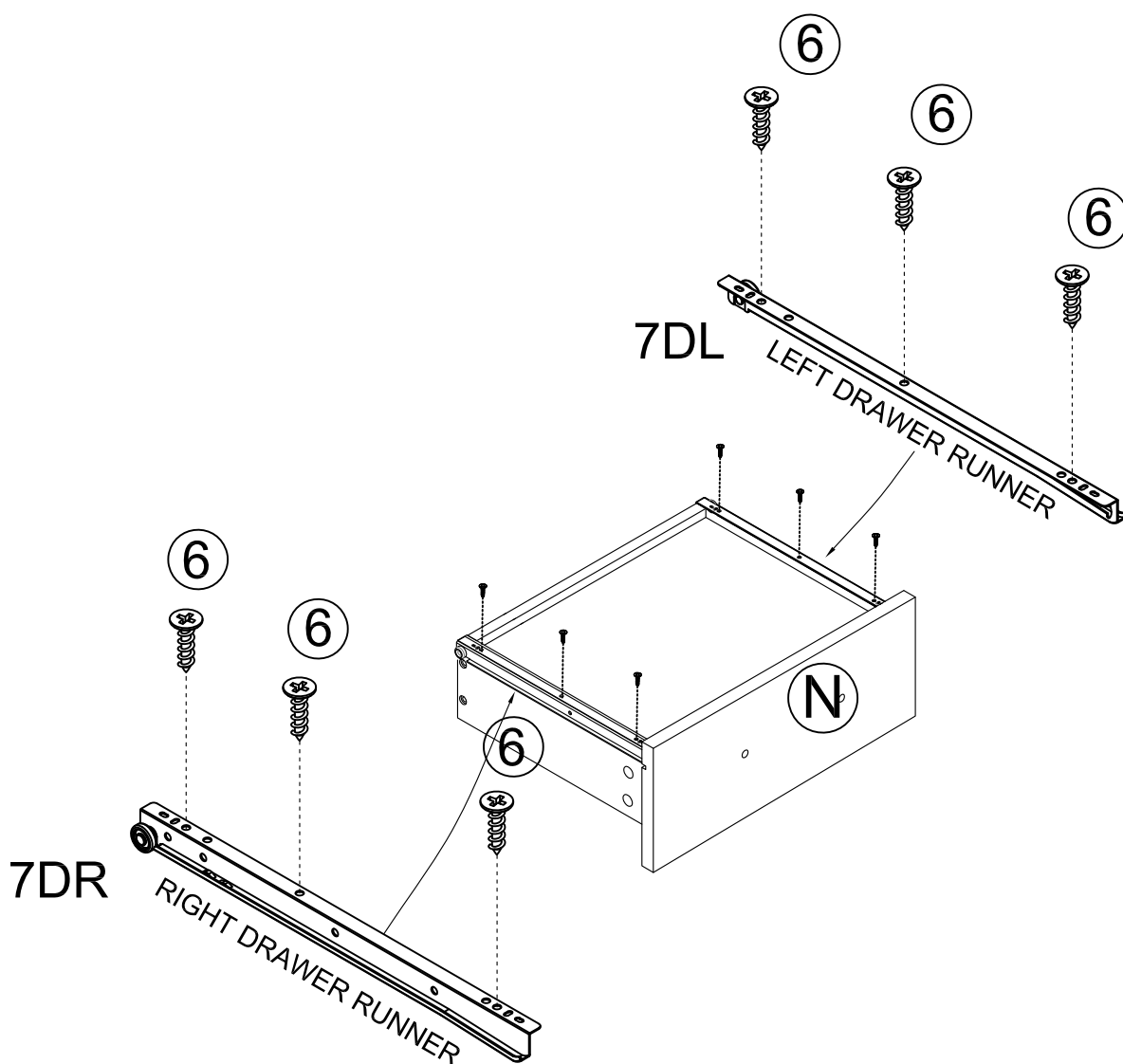
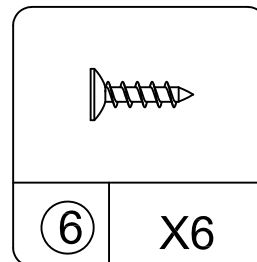
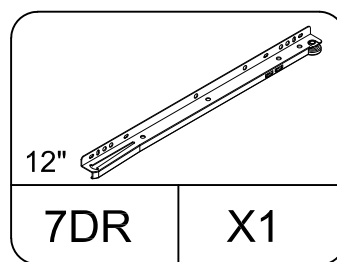
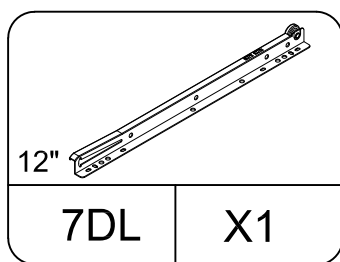
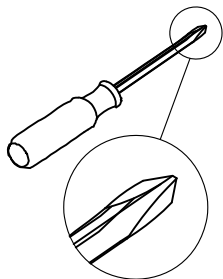


Proper orientation of CAM LOCK

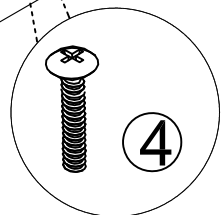
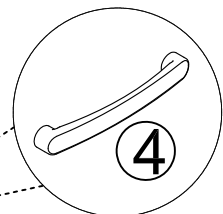
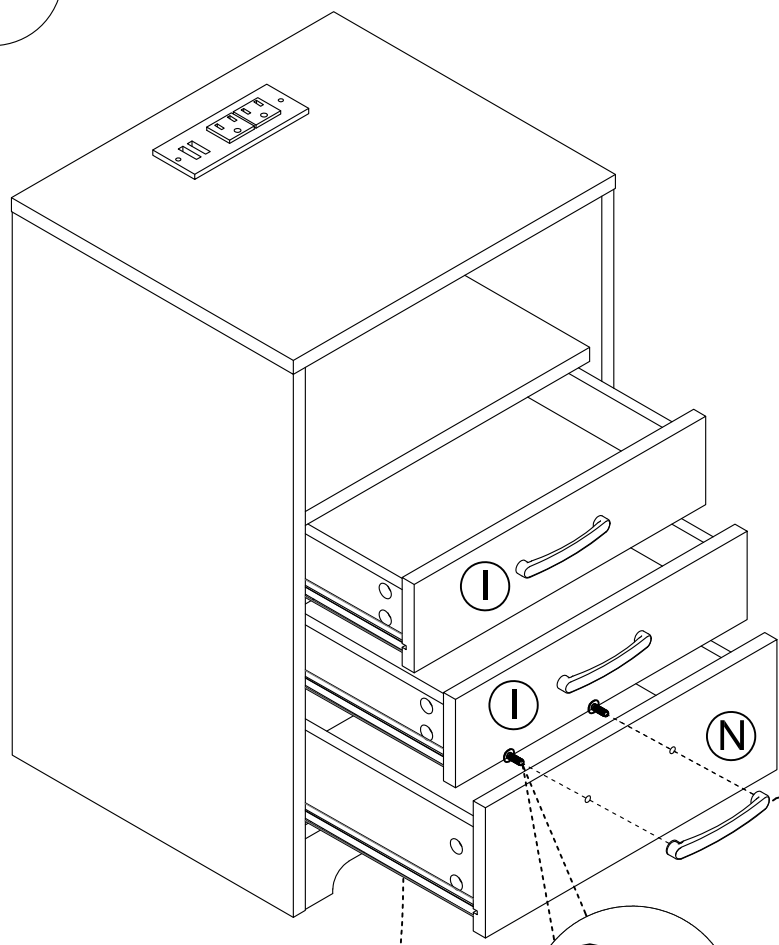
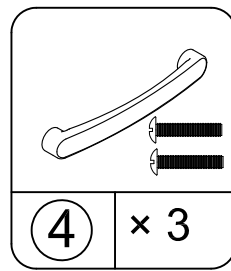
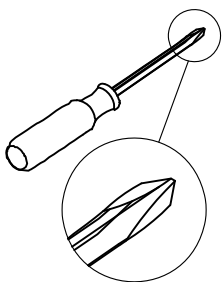
STEP 10



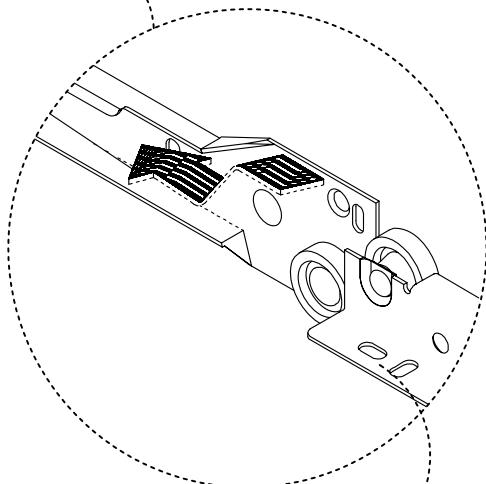
STEP 11



STEP 12



Cabinet Slide



Drawer Slide