

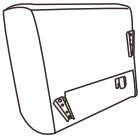

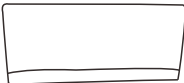




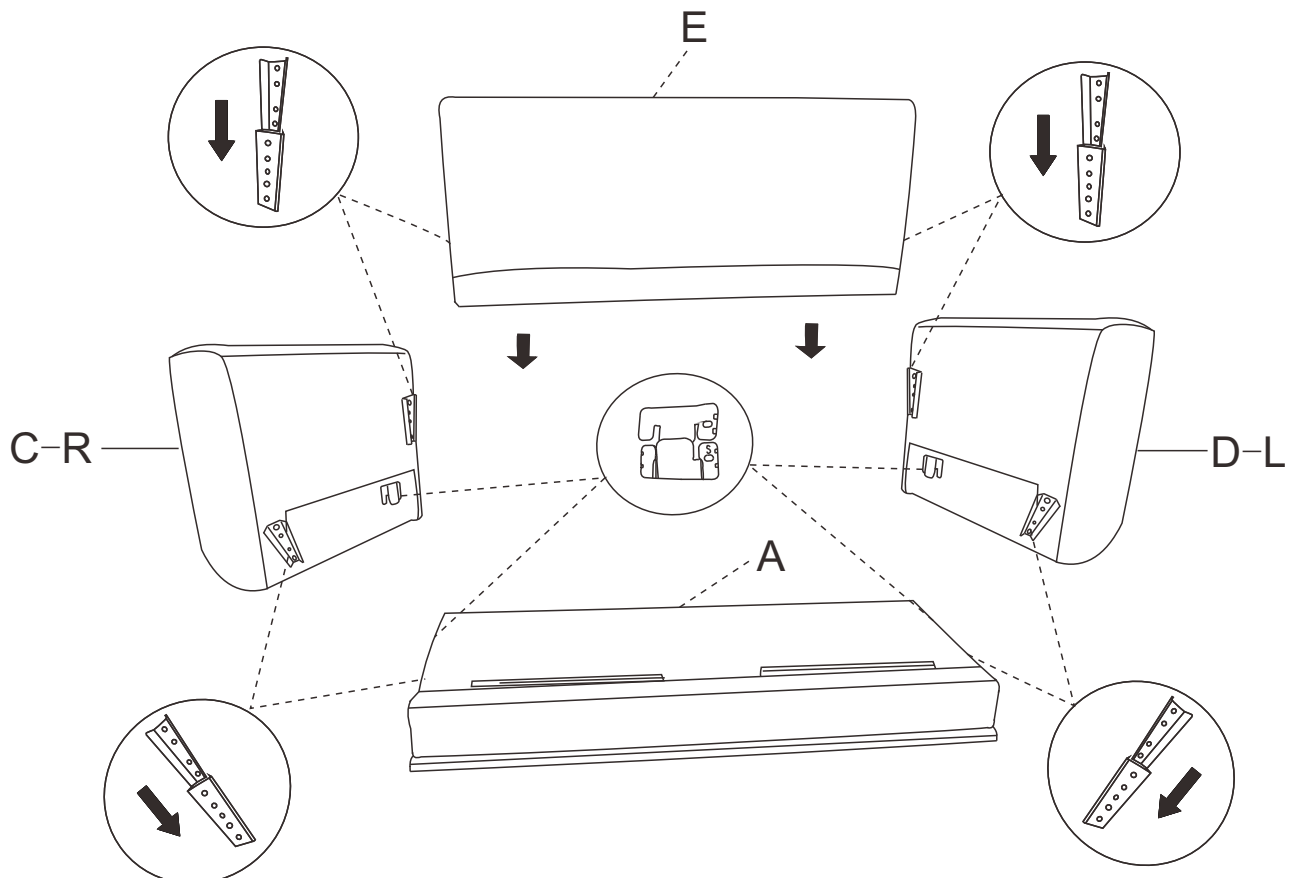


# Assembly Instructions

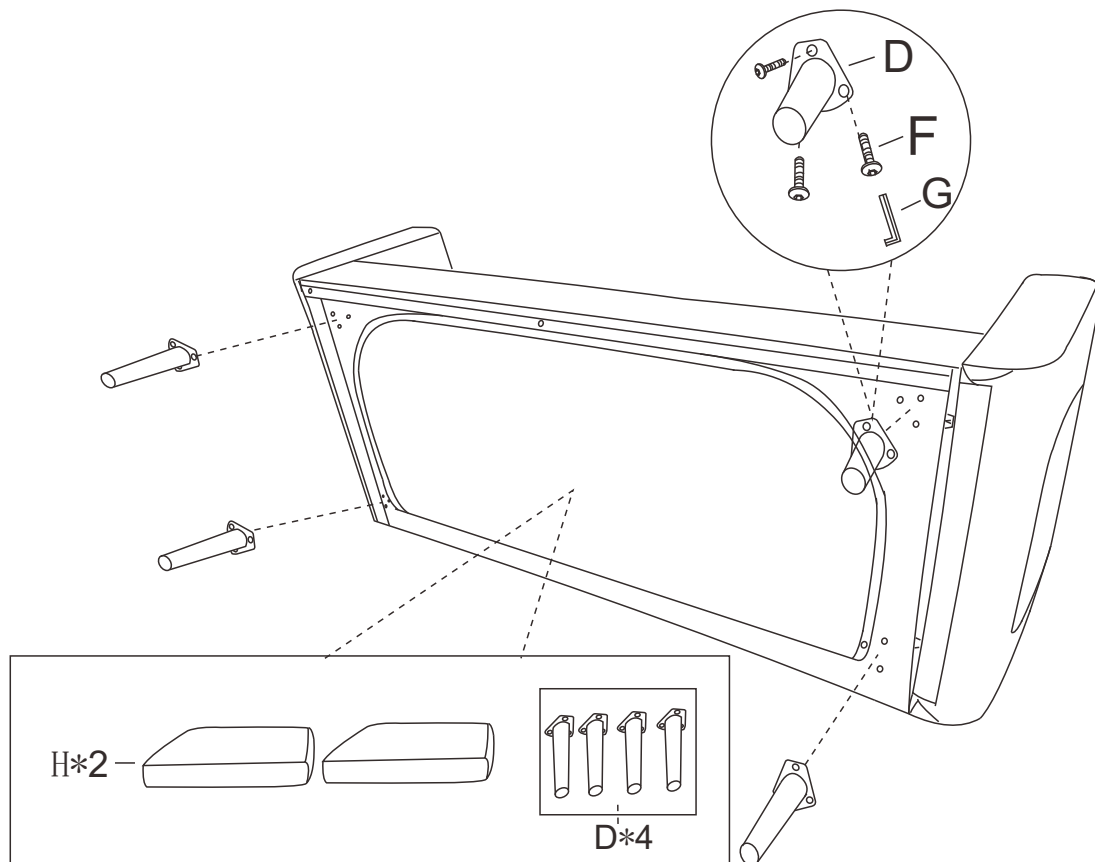
Part NO.	Part Image	Part Name	QTY
A		Seat	1
B		Left Armrest	1
C		Right Armrest	1
D		legs	4
E		Backrest	1

Part NO.	Part Image	Part Name	QTY
F	 M6*16mm	Screws 16mm	16
G		Allen Key	1
H		Chaise seat cushion	2
I		Back cushions	2

## STEP 1



STEP 2



Two backrests and the legs are inside the base cloth

STEP 3

