






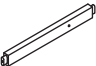



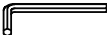

## CARE AND MAINTENANCE

Store outdoor furniture indoors or cover well when it is not in use. Dust regularly with small brush or vacuum. Spills should be taken care of immediately before they harden or stain with a slightly dampened sponge.

## NOTICE

Please make sure that you have all parts indicated before you begin assembly of this item.

### Part List and Hardware List

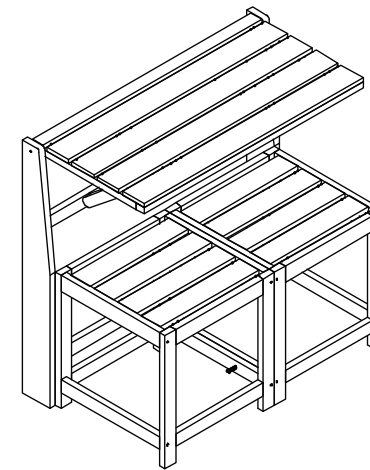
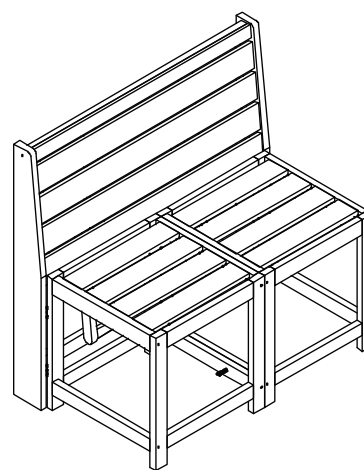
PIECE	DESCRIPTION	PICTURE	QUANTITY
<b>A</b>	Back		<b>1x</b>
<b>B</b>	Seat		<b>2x</b>
<b>C</b>	Side		<b>2x</b>
<b>D</b>	Joint bar		<b>2x</b>
<b>E</b>	Support bar		<b>1x</b>
<b>F</b>	Front bar		<b>1x</b>
<b>G</b>	Lock bar		<b>1x</b>
<b>H1</b>	Allen bolt	 <b>M6x50</b>	<b>2x</b>
<b>H2</b>	Allen screw	 <b>M6x60</b>	<b>16x</b>
<b>H3</b>	Allen Key		<b>1x</b>
<b>H4</b>	Wrench		<b>1x</b>

Product Dimension: 33.07"W x 19.69"D x 31.5"H

Weight capacity : 600 lbs

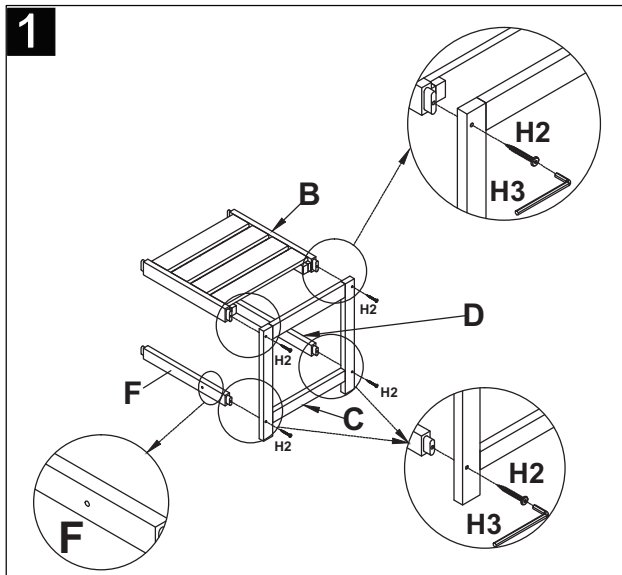
Warning : Do not stand on the bench

Warning : Do not torque bolts / screws

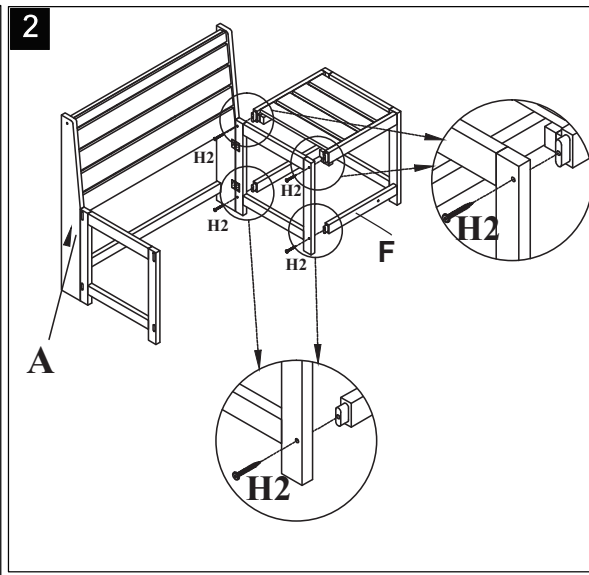


# PREPARATION

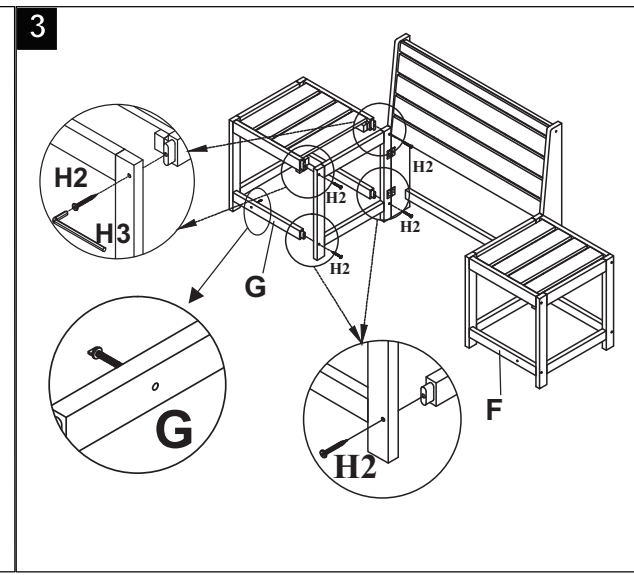
Before beginning the assembly of the product, make sure all parts are present. Compare the parts with the package contents list and hardware contents list. If any parts are missing or damaged, do not attempt to assemble the product. Tool required for assembly (included): Allen Key and wrench.



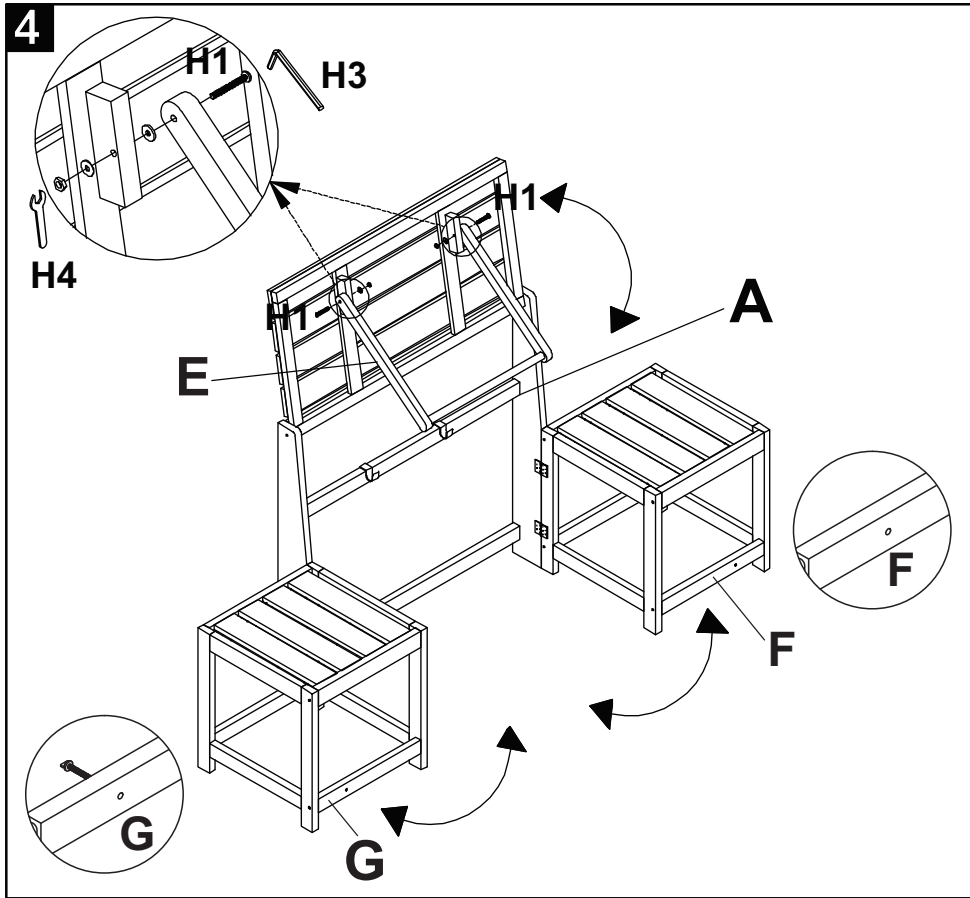
Step 1 : attach the Seat (B) to the side (C), the Joint bar (D), Front bar (F) as shown on the picture. Then use the Allen screw (H2) to tighten all these parts with the Allen key (H3). Make sure use the Front bar (F) for step 1.



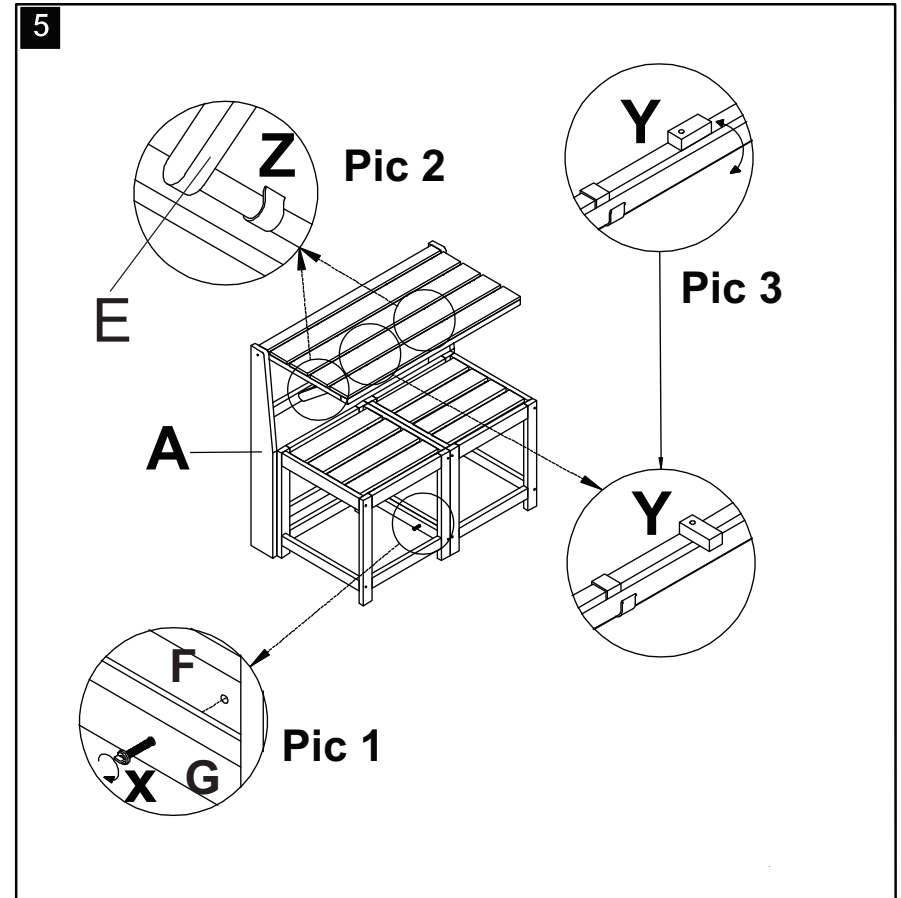
Step 2 : attach seat part to the Back (A) as shown on the picture. Then use the Allen screw (H2) to tighten to side of the back (A) as shown on the picture.



Step 3: repeat other seat part other side as shown on the picture with same step 1 and step 2. Make sure use correct the Lock bar (G) for step 3.



Step 4: attach the Support bar (E) to the back (A) as shown on the picture. Then use the Allen bolt (H1) to tighten the support bar (E) to the back by using the Allen key (H3) and wrench (H4).



Step5 : when folding seat of bench together (Pic 1) turn on the bolt (X) under seat for locking as shown on the picture . When lifting the back (Pic 2 ), put the Support (E) into the bracket (Z) as shown the picture to keep this part from dropping , lift up. After that, turn the small wooden block(Y) to keep the back of bench from falling down.