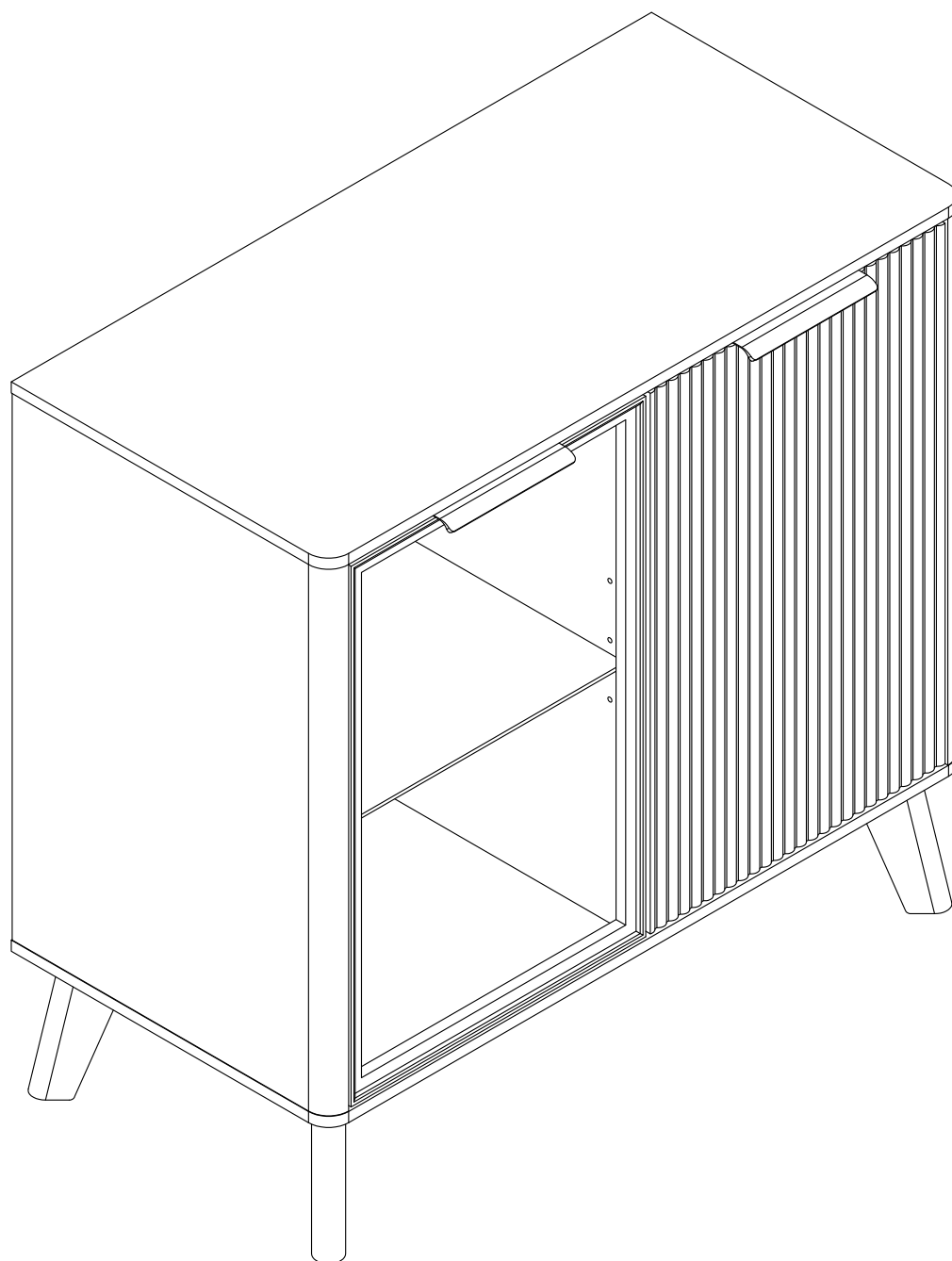
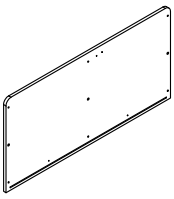
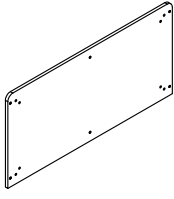
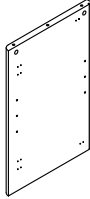
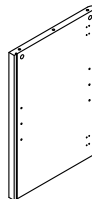
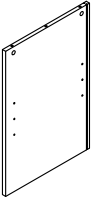
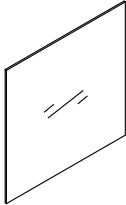
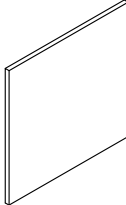

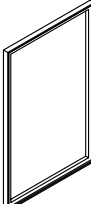
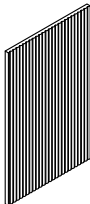
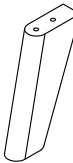















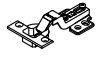




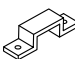


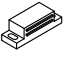


Assembly Instruction

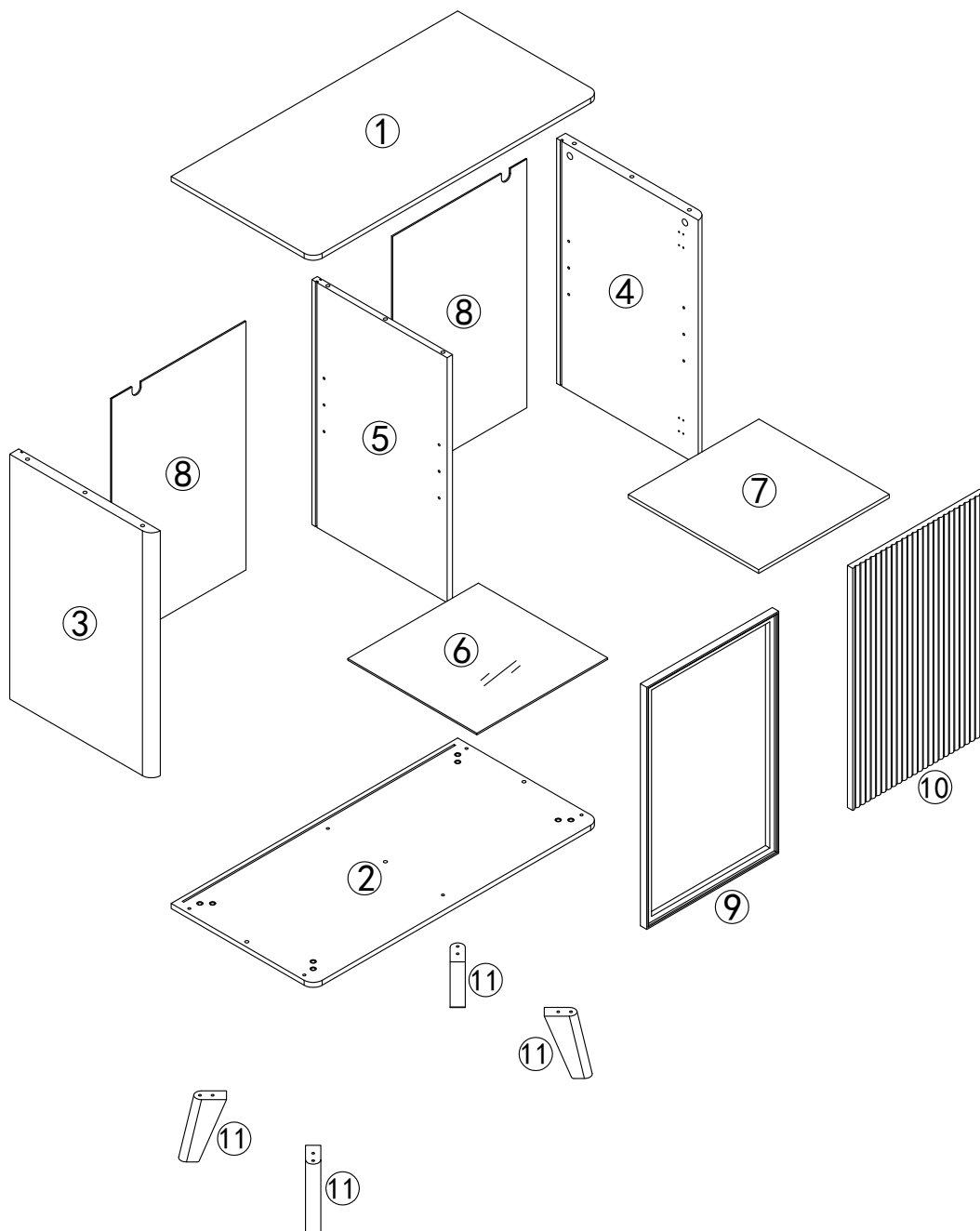
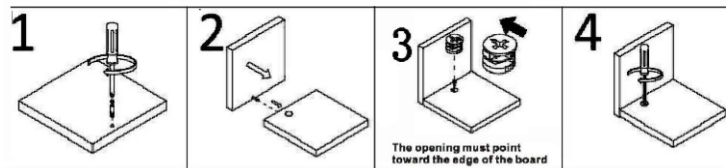


			
1PC	1PC	1PC	1PC
			
1PC	1PC	1PC	2PCS
			
1PC	1PC	4PCS	

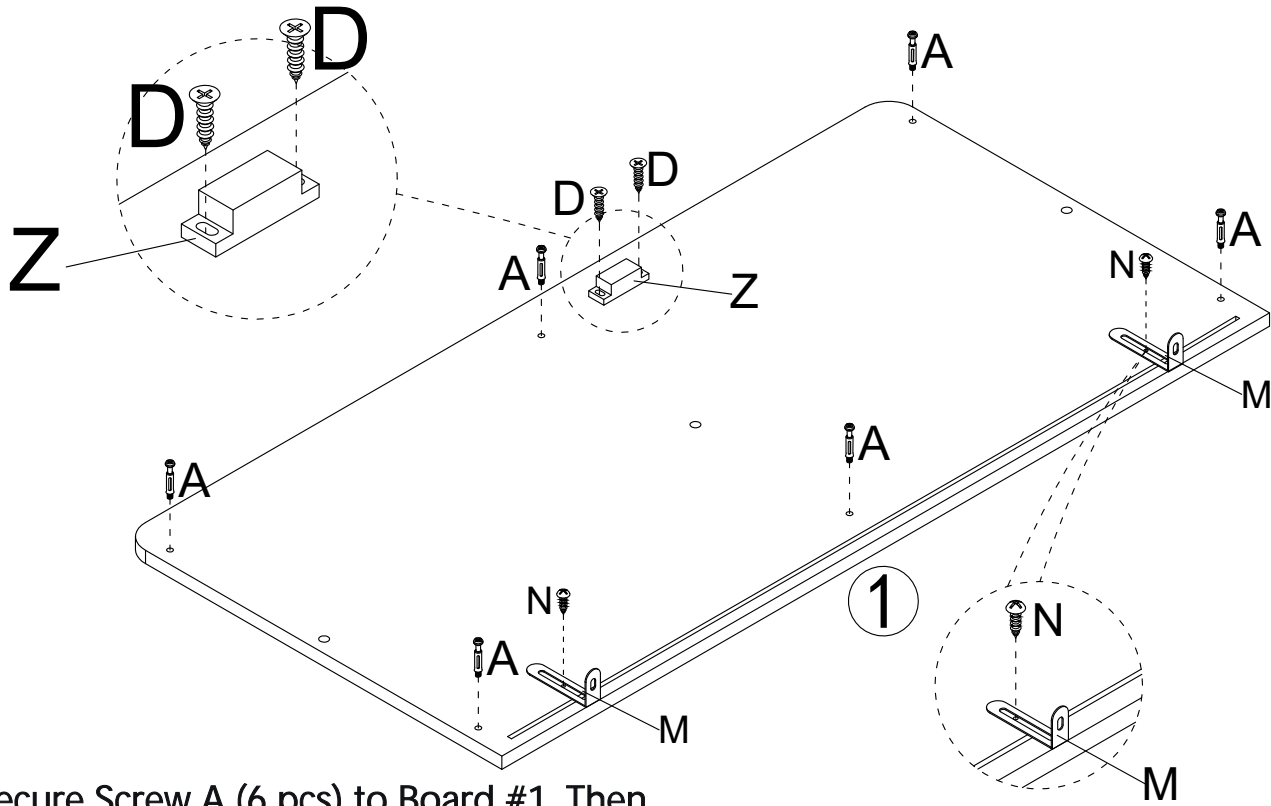
A	X6		M6x35mm	B	X6			C	X20		M3.5x14mm	D	X10		M3x16mm	E	X1		4mm	F	X6		M5x40mm	G	X6			H	X8		M7x50mm
I	X2			J	X2		M4x35mm	K	X2			M	X2			N	X2		M4x12mm	O	X2			P	X8			Q	X2		
S	X8			T	X2		M4x16mm	U	X2		M3.5x12mm	V	X4		M4x7mm	W	X2			X	X4		M3x12mm	Y	X1			Z	X1		

Cam Lock Fastening System

Insert the cam bolt into the hole first, then insert the cam lock and lock it.



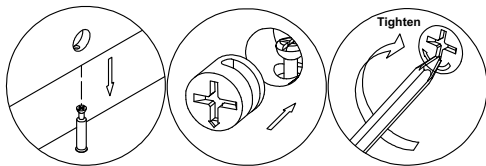
1



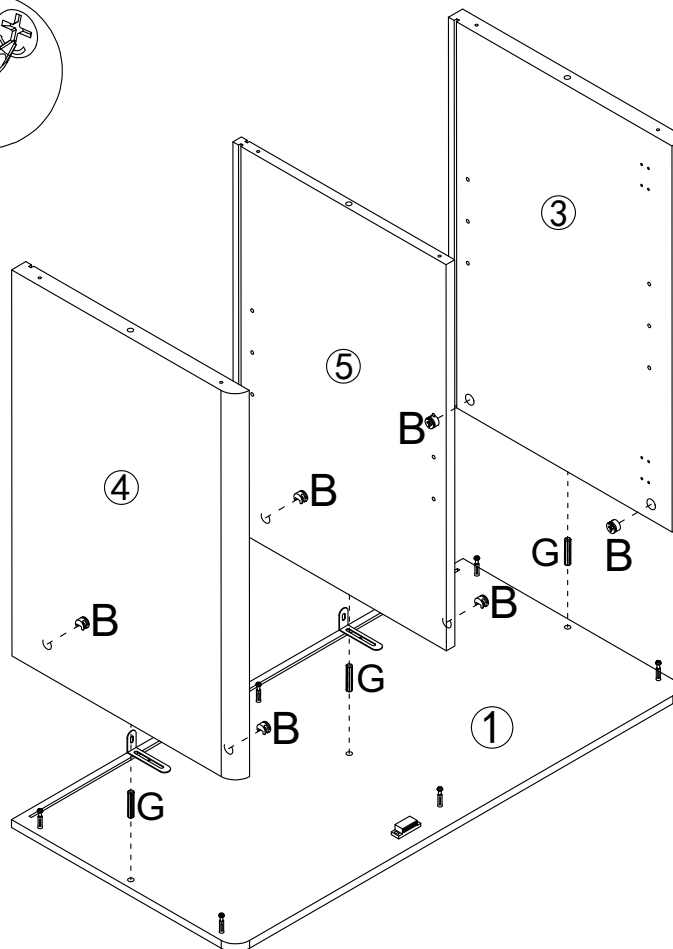
1. Secure Screw A (6 pcs) to Board #1. Then, attach Anti-tip Bracket M (2 pcs) to the same board using Screw N (2 pcs). Then, use D screws (2 pcs) to fasten the Part Z (1 pcs) accessory to Board #1

D	x2	Z	x1	A	x6	M	x2	N	x2
M3x16mm				M6x35mm				M4x12mm	

2

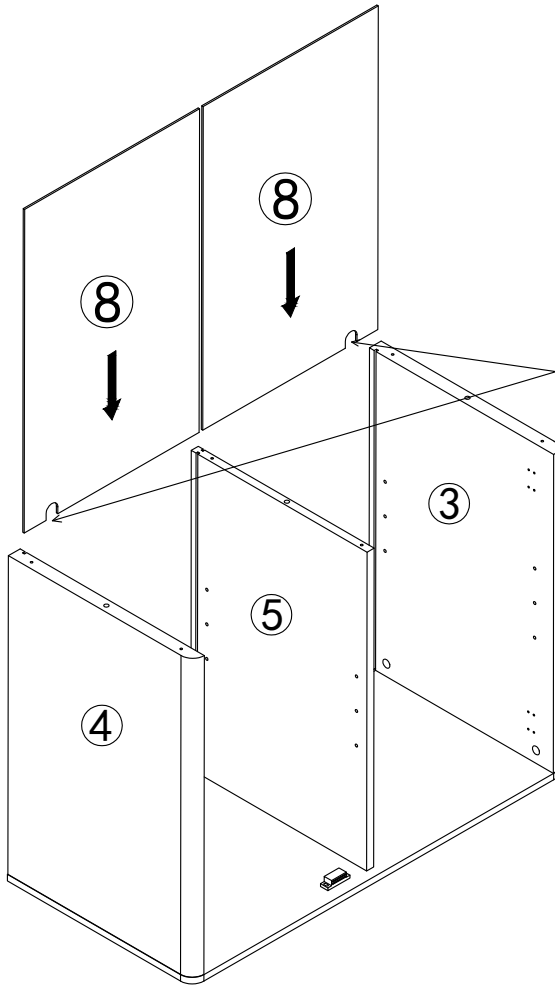


2. First, insert Part G (3 pcs) into the designated slots. Then, assemble Boards #4, #5, and #3 in the order shown onto the installed Screw A. Secure each with Screw B (2 pcs each).



B	x6	G	x3

3

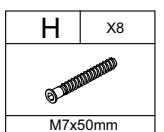
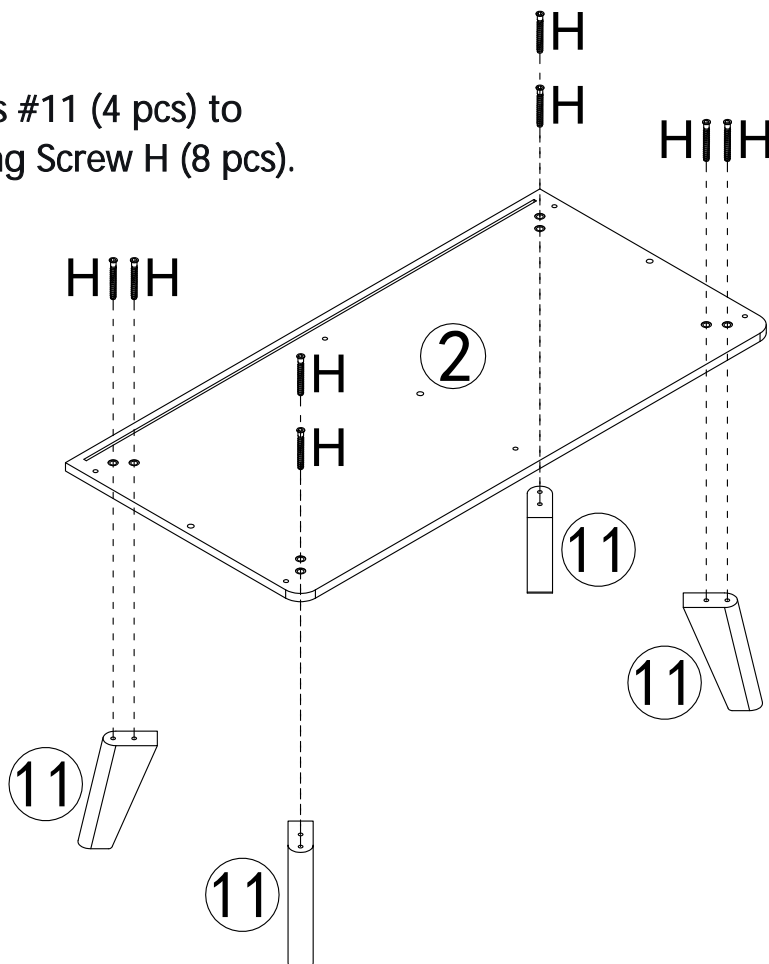


3. Insert Board #8 (2 pcs) into the middle slots.

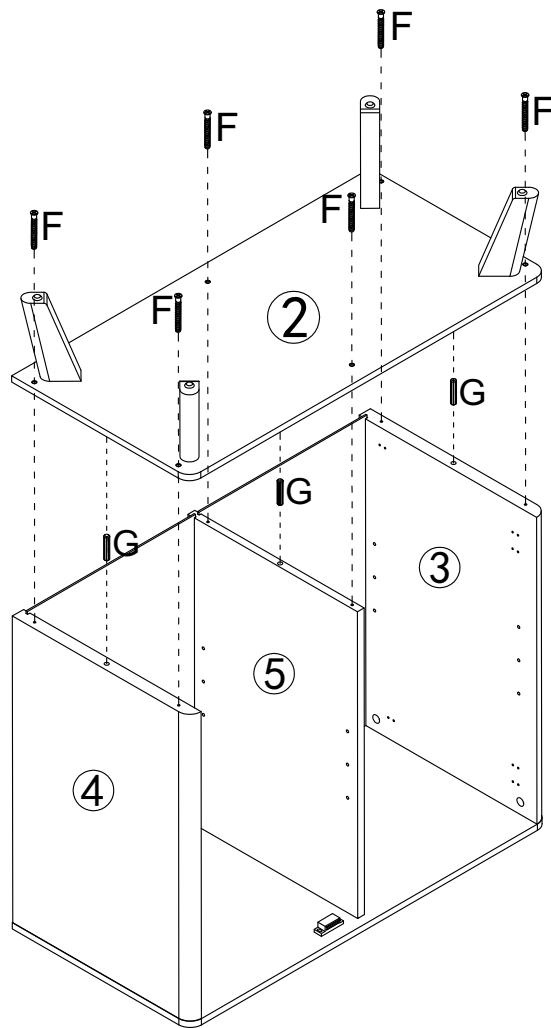
Note: Pay attention to the hole positions and orientation (left and right sides are different).

4


4. Attach Legs #11 (4 pcs) to Board #2 using Screw H (8 pcs).




5

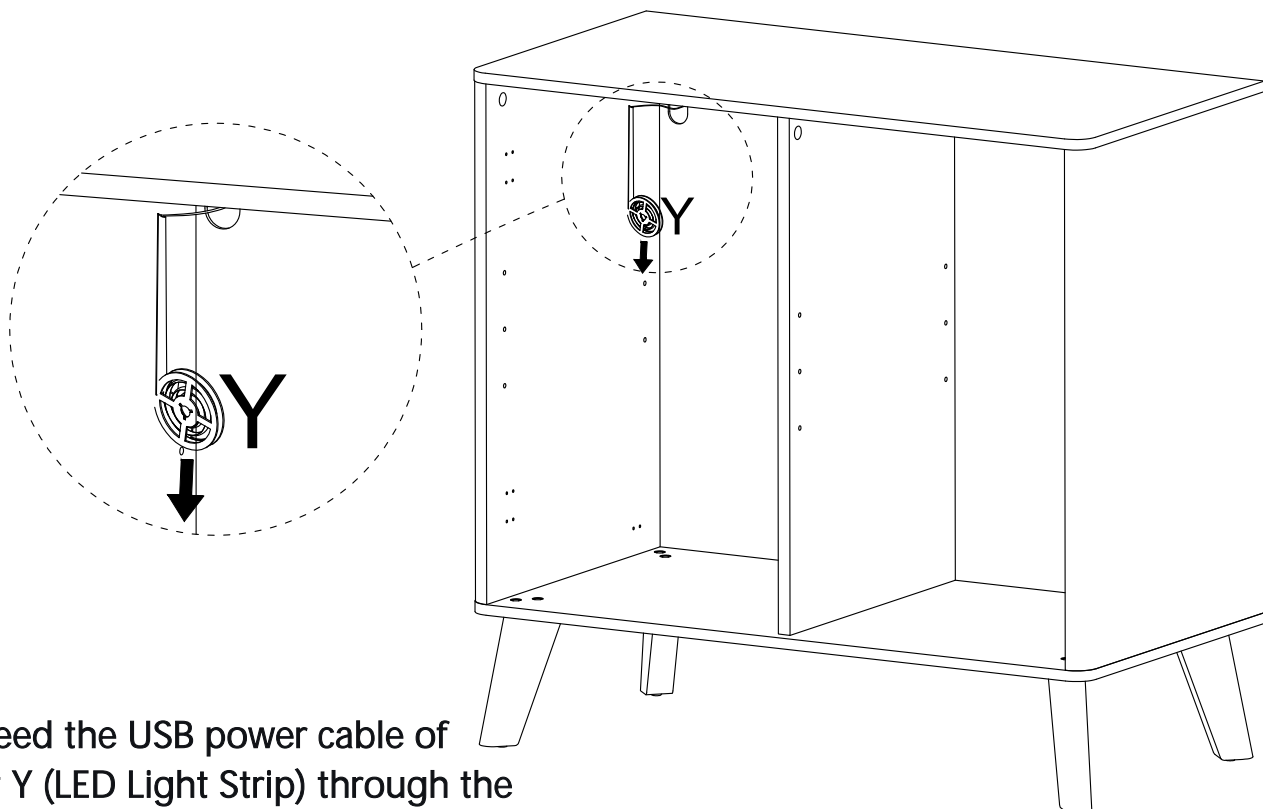


5. First, insert Part G (3 pcs) into the designated slots. Then, secure Board #2 to the main cabinet frame using Screw F (6 pcs).


F	X6
	
M5x40mm	

G	X3
	

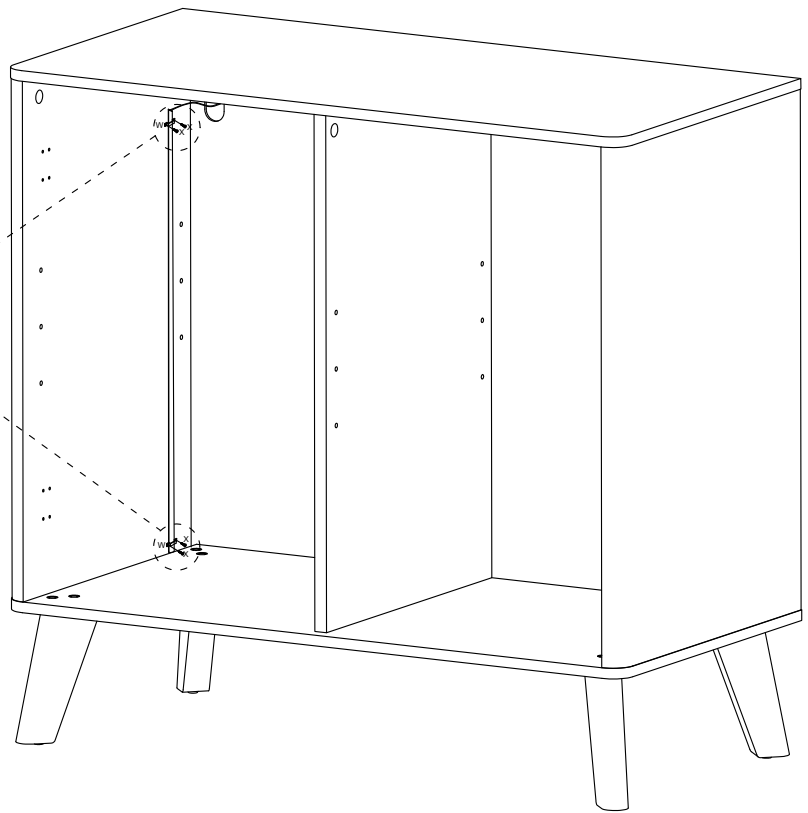
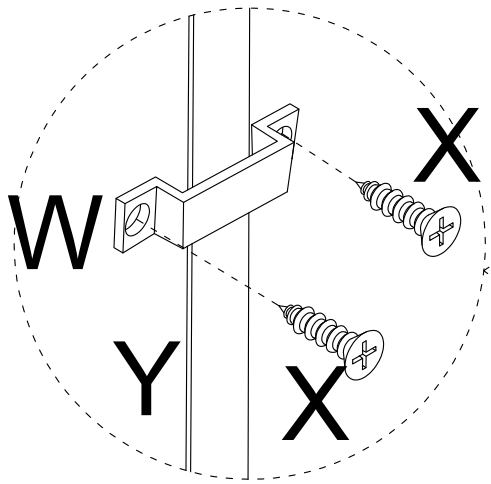
6



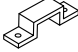

6. Feed the USB power cable of Part Y (LED Light Strip) through the hole in Board #8. Adhere the remaining LED strip vertically to Board #3 as illustrated.

Y	X1
	

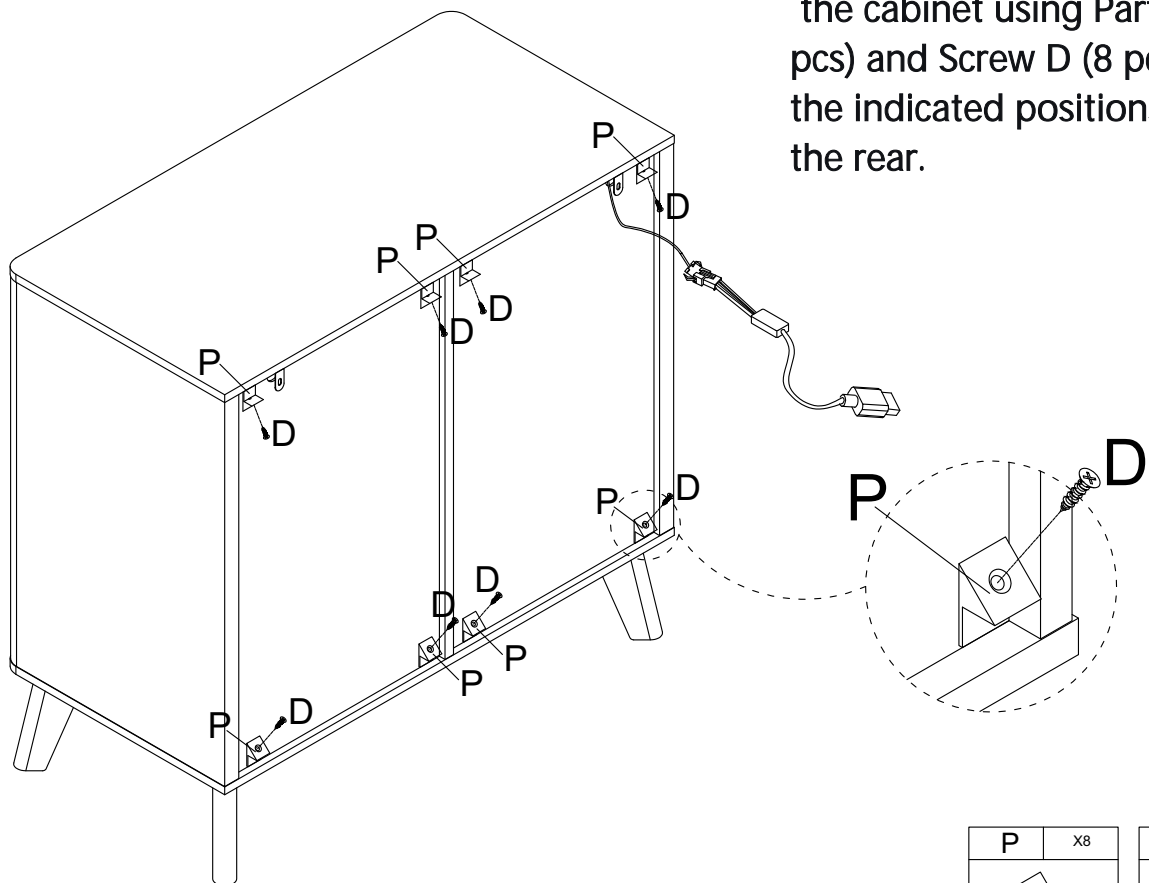
7



7. After positioning the light strip, secure Mounting Bracket W (2 pcs) over it onto Board #3 using Screw X (4 pcs). Ensure alignment with the pre-drilled holes.

W	x2	X	x4
			
		M3x12mm	

8

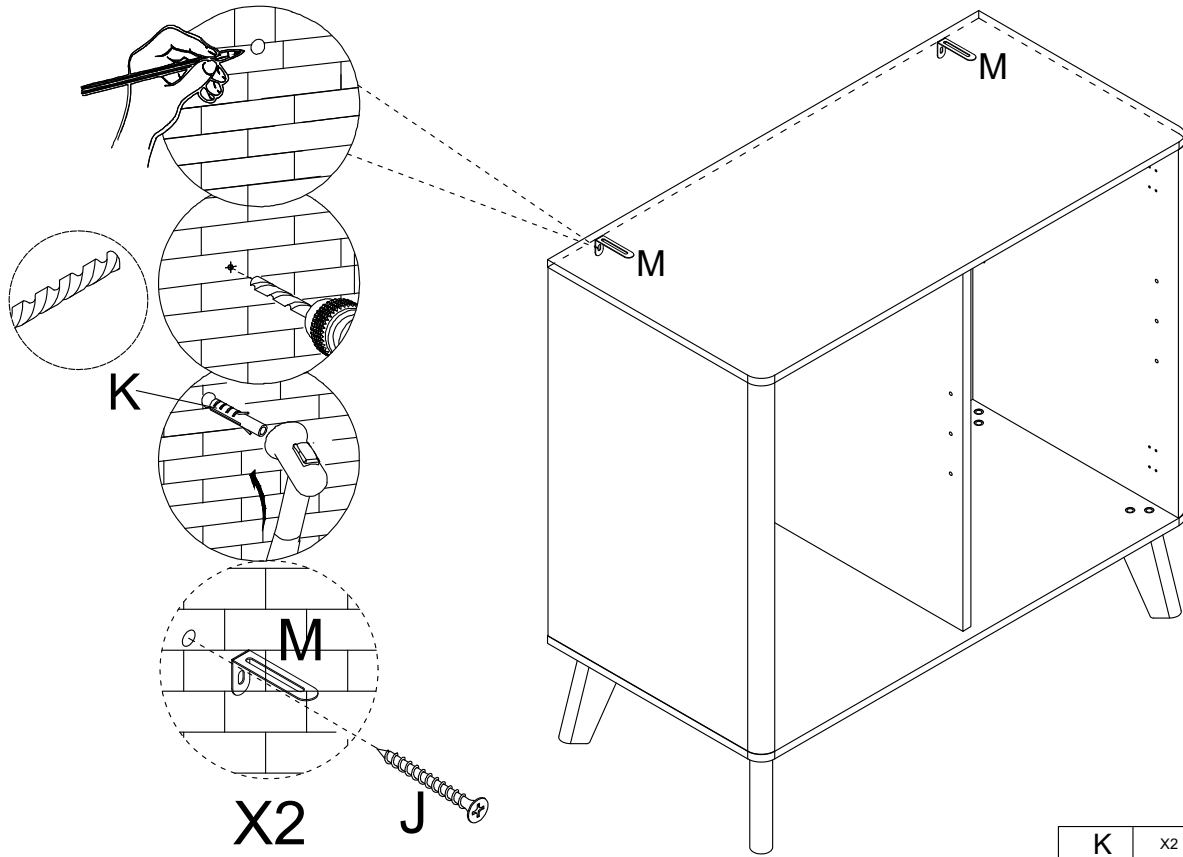



8. Secure the back panel to the cabinet using Part P (8 pcs) and Screw D (8 pcs) at the indicated positions on the rear.


P	x8	D	x8
			
		M3x16mm	

9

9. Mount the Anti-tip Bracket M (2 pcs) to the wall using Part K (2 pcs) and Part J (2 pcs).

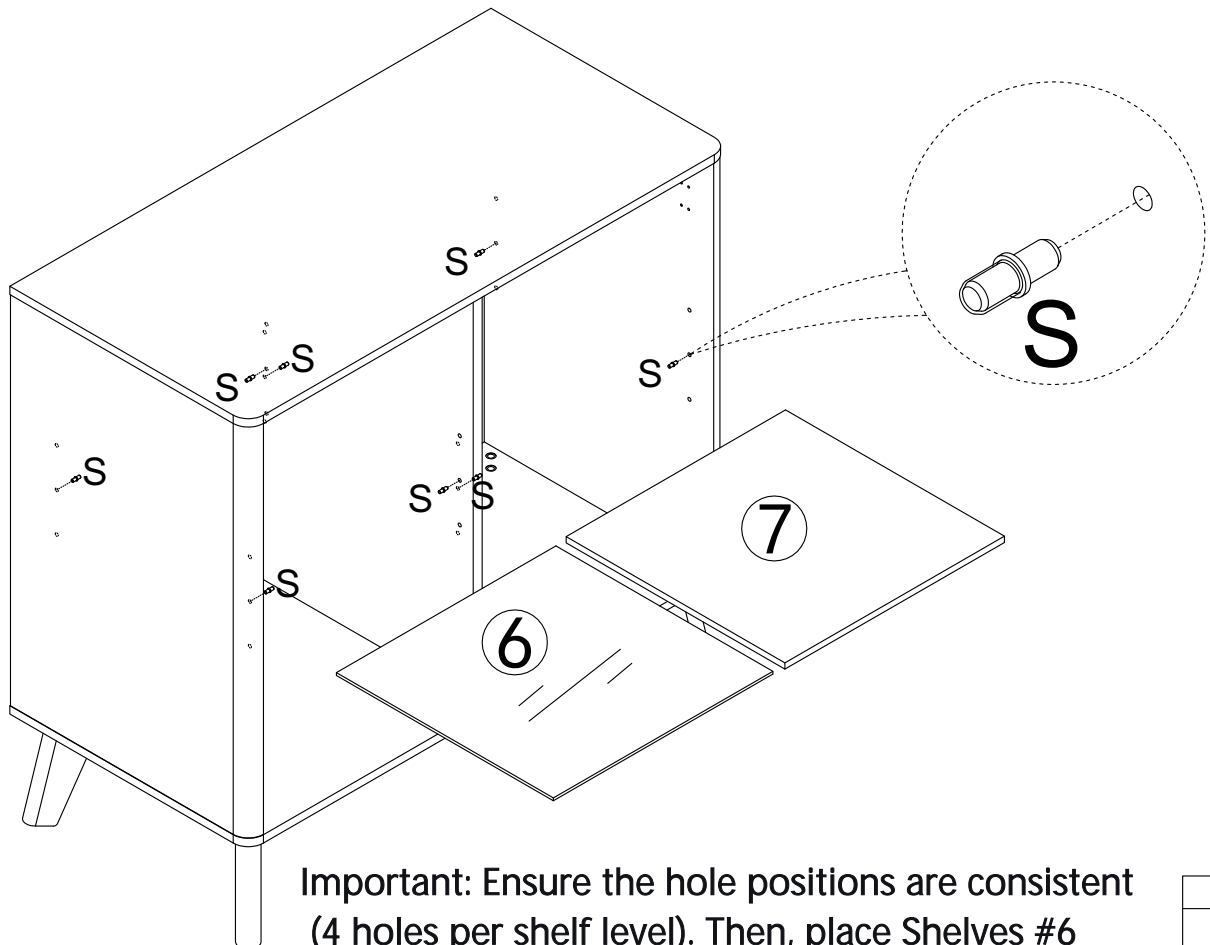


K	X2
	


J	X2
	
M4x35mm	

10

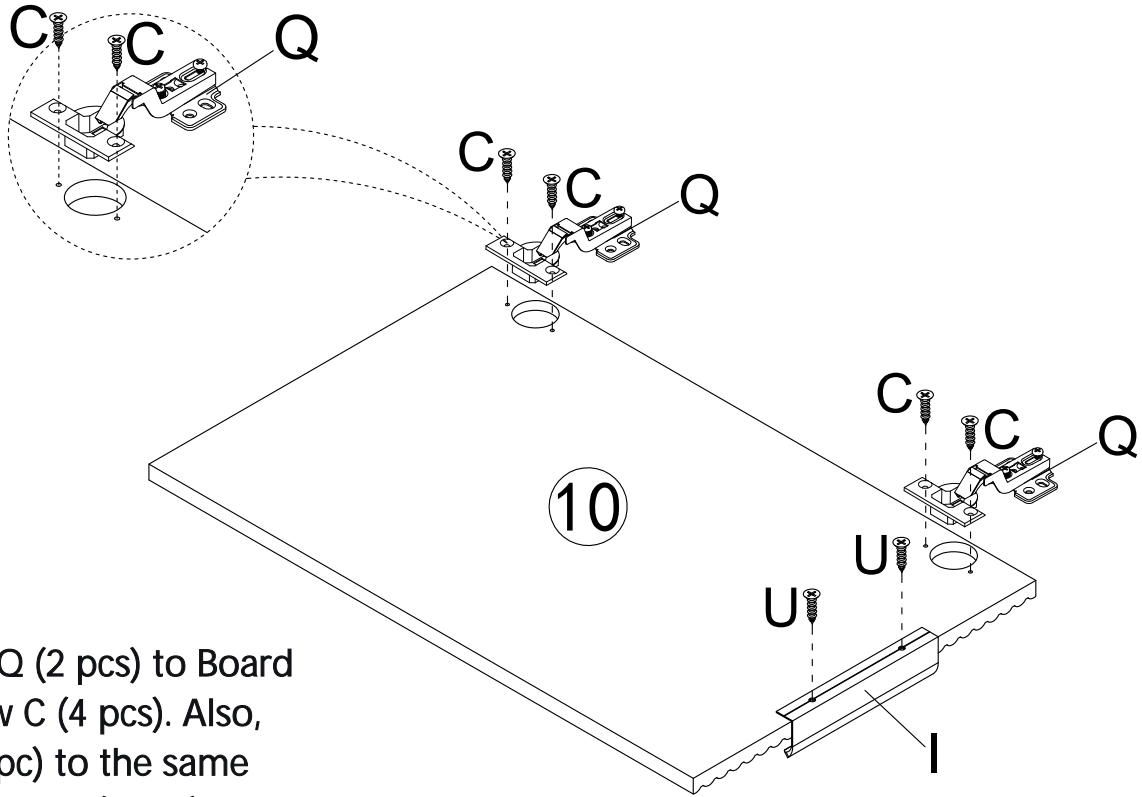
10. Insert Screw S (8 pcs) into the inner holes as shown.



Important: Ensure the hole positions are consistent (4 holes per shelf level). Then, place Shelves #6 and #7 into the cabinet.

S	X8
	

11

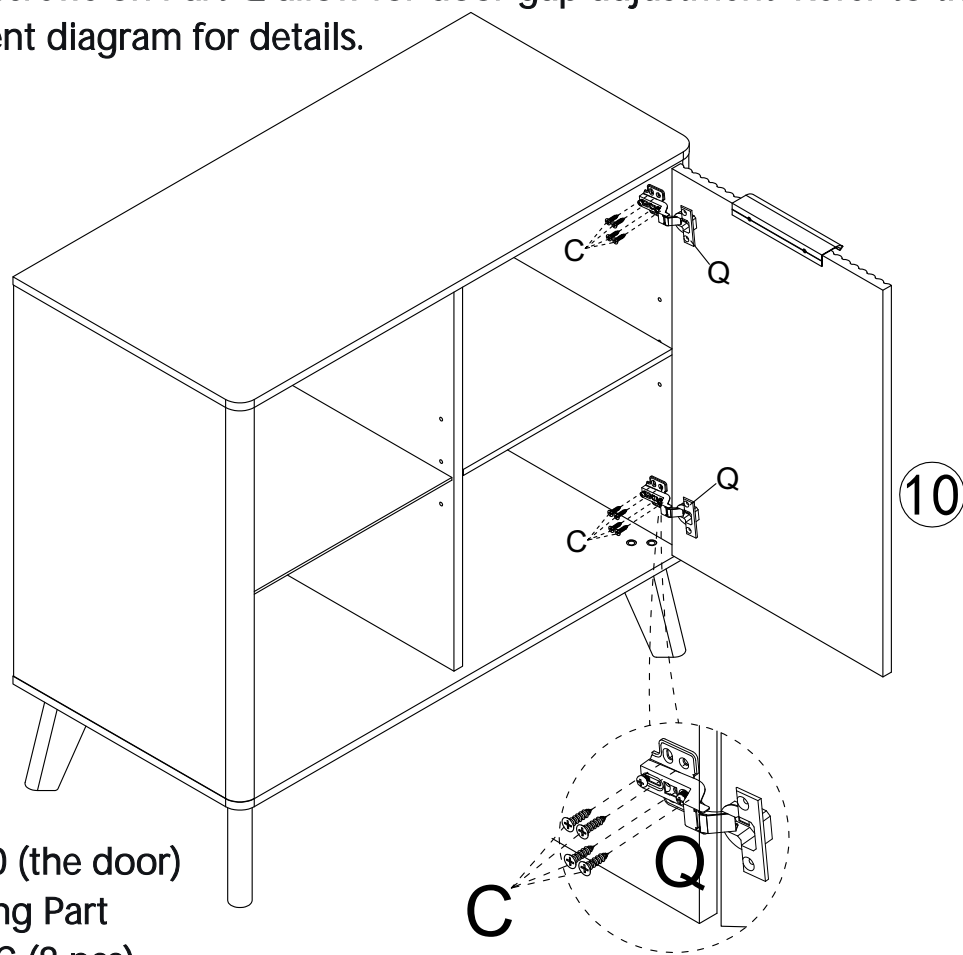


11. Attach Part Q (2 pcs) to Board #10 using Screw C (4 pcs). Also, attach Part I (1 pc) to the same board using Screw U (2 pcs).

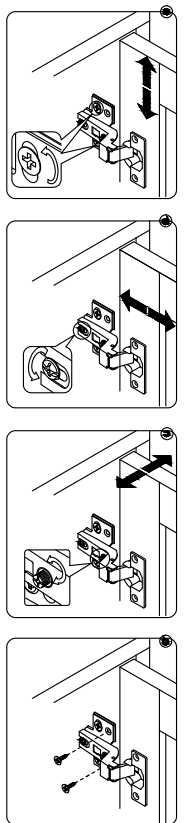
C	X4	U	X2	I	X1	Q	X2
M3.5x14mm		M3.5x12mm					

12

Tip: The screws on Part Q allow for door gap adjustment. Refer to the adjustment diagram for details.

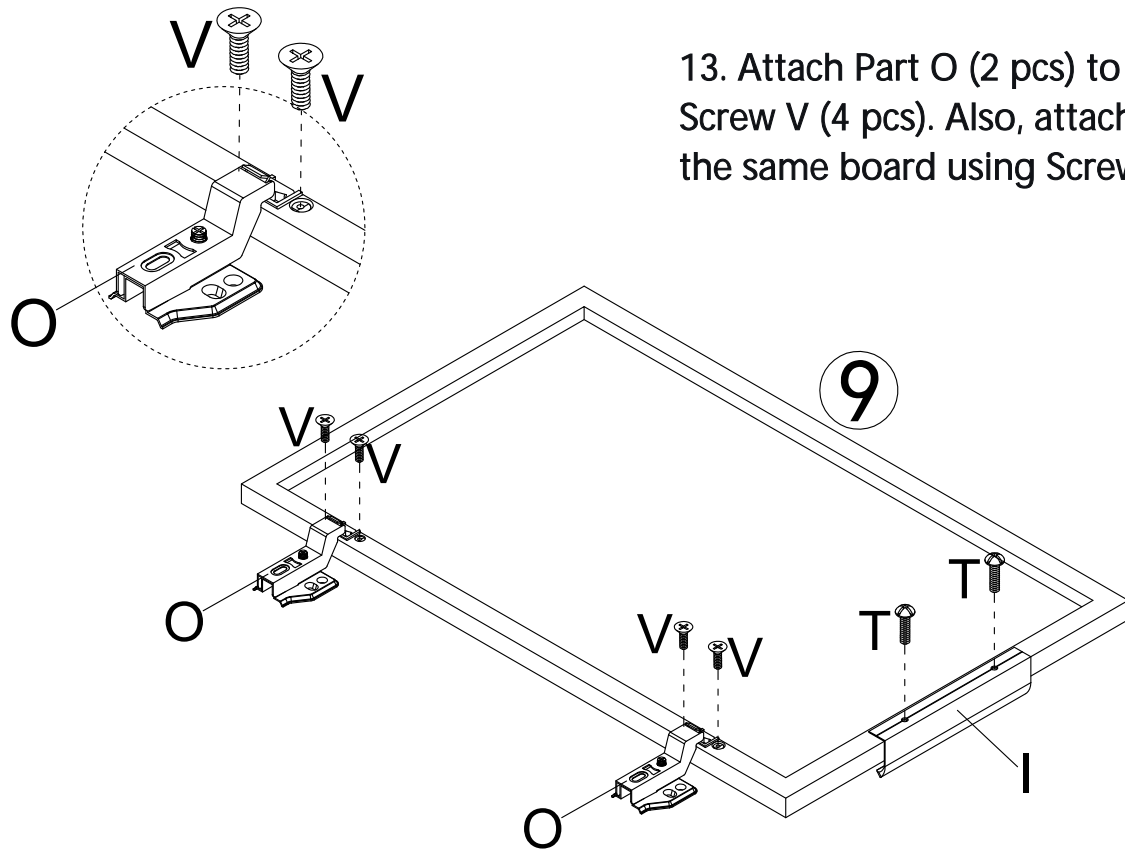


12. Secure Board #10 (the door) to the side panel using Part Q (2 pcs) and Screw C (8 pcs).







C	X8
M3.5x14mm	

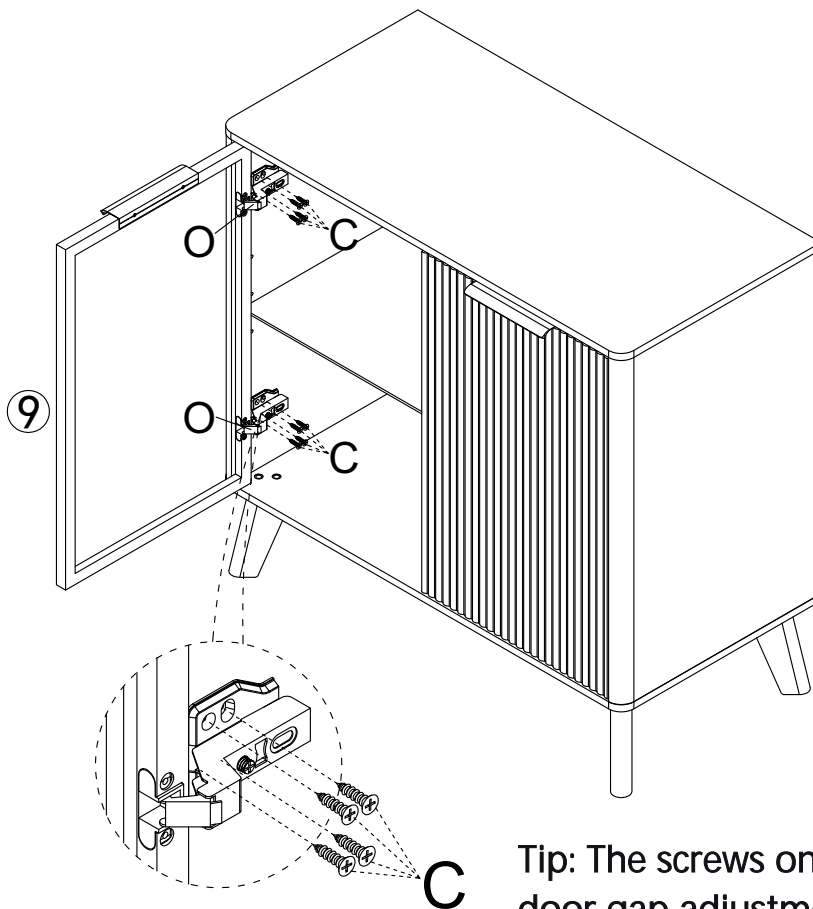
13



13. Attach Part O (2 pcs) to Board #9 using Screw V (4 pcs). Also, attach Part I (1 pc) to the same board using Screw T (2 pcs).

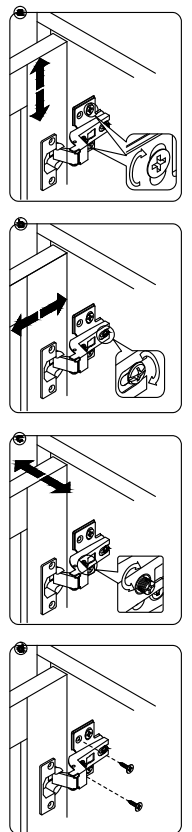
T	X2	V	X4	I	X1	O	X2
							
M4x16mm		M4x7mm					


14



14. Secure Board #9 (the door) to the side panel using Part O (2 pcs) and Screw C (8 pcs).

Tip: The screws on Part O allow for door gap adjustment. Refer to the adjustment diagram for details.



C	X8
	
M3.5x14mm	

Thank You!

For Your Purchase

Dear Customer,

Thank you for your order!

Each customer enjoys a one-year warranty .
Once the warranty is activated, we promise to provide you with
a risk-free experience and please contact us to register and
activate it.

Contact us before a refund/return to open the fast track.
We're online 24 hours a day.

Have a wonderful day !

Contact us to unlock benefits

Activating the One-year Warranty

Viewing the Installation Video

Joining the New Product Trial Program

Salt Lamp

\$10~\$20

If parts are missing, damaged or you need any help, please
contact us before clicking the return button and we'll help
you solve the problem straight away, saving you time on
your return!

 zoey_service@163.com

 [+1 7733002528](tel:+17733002528)