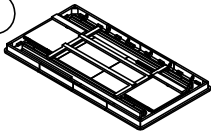
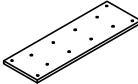
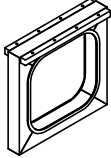
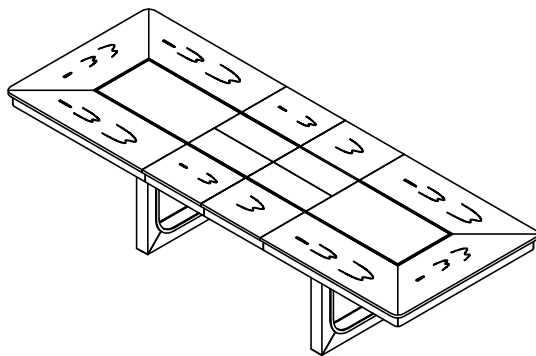


Assembly Instruction


Description: Dining Table Top 84- 120 x 44 in. (2-18 in. - Leaves) / Dining Table Base

PARTS LIST:

① 	② 	③ 
TABLE TOP: 1PC	TOP PANEL: 2PCS	TABLE BASE: 2PCS



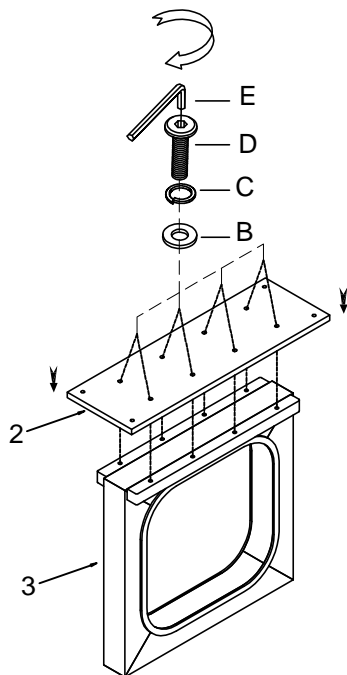
④ HARDWARE LIST OF DESC#84T

NO.	DRAWING	DESCRIPTION	
A		Touch Pen	1Pc

⑤ HARDWARE LIST OF DESC#84B

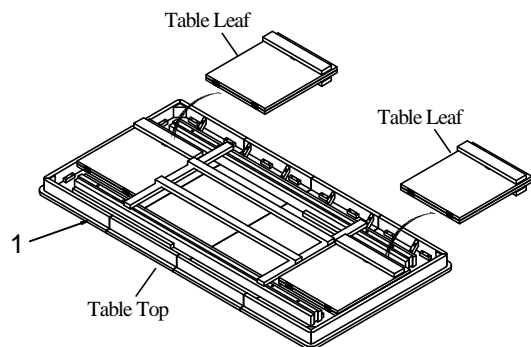
NO.	DRAWING	DESCRIPTION	
B		Flat Washer $\phi 5/16"$ x 19*2mm	24Pcs
C		Spring Washer $\phi 5/16"$	24Pcs
D		Bolt $\phi 5/16"$ x 1-3/4"	24Pcs
E		Allen Key 4mm	1Pc

STEP 1



STEP 2

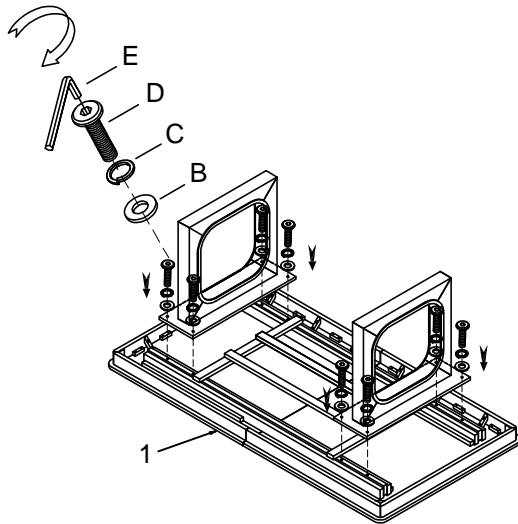
Remove The Table Leaf Under The Table Top



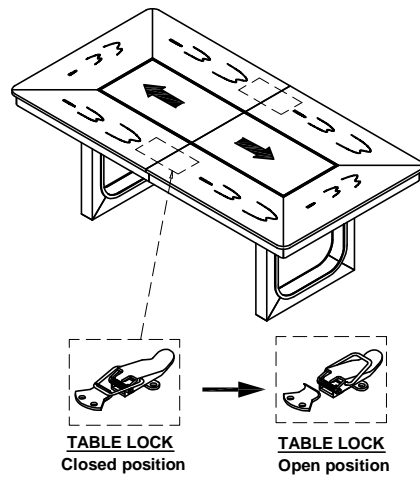
Assembly Instruction

Description: Dining Table Top 84- 120 x 44 in. (2-18 in. - Leaves) / Dining Table Base

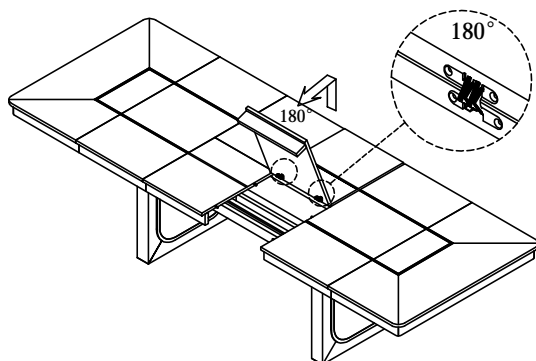
STEP 3



STEP 4



STEP 5



STEP 6

