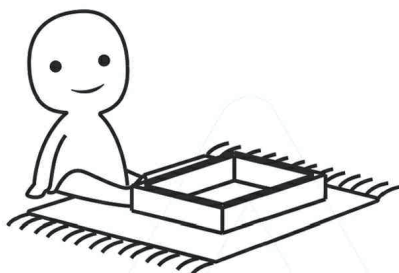




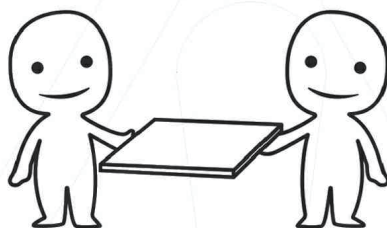
IMPORTANT INFORMATION!

please read the entire manual before starting to assemble and/or using this product. follow the manual thoroughly and keep it for further reference.



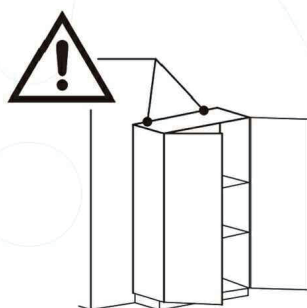
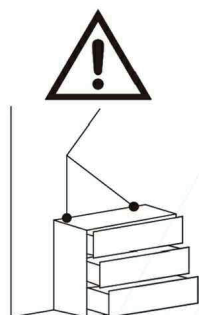
AVOID SCRATCHES!

In order to avoid scratching this furniture should be assembled on a soft layer- could be a rug.



IMPROVE EFFICIENCY !

Try to find a partner to install with you, which can speed up the installation efficiency and shorten the time.



ANTI-TOPPLE WARNING !

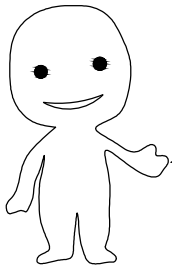
Overturnd furniture can cause serious or fatal crush injuries. To prevent tipping over, be sure to use the wall attachment, if not included with this product. Please purchase the wall attachment that fit your wall. If unsure, seek professional advice. Please read and follow each step of the instructions carefully.

IMPORTANT !

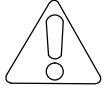
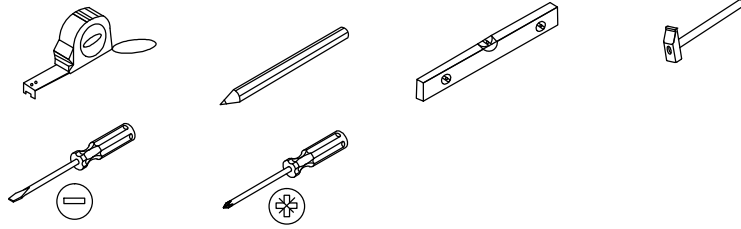
It is important that any product which is assembled using any kind of screw is re-tightened 2 weeks after assembly, and once every 3 months - in order to assure stability through-out the lifespan of the product.

For regular maintenance and cleaning of the product, for the frame, please use a rag dipped in neutral detergent to fully wipe it, and then dry it with a clean rag. For glass materials, wipe with a rag dampened with water glass cleaner, and then dry with a dry rag.

Do not use an electric screwdriver, and do not use too much force when installing, because the board is easy to break.

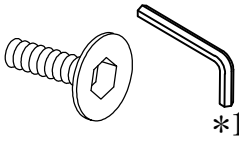
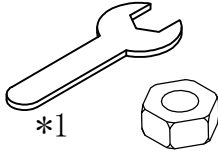

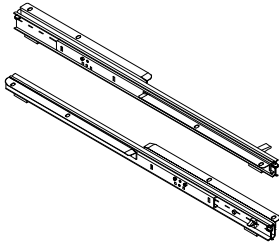
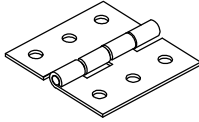



Please prepare the following tools

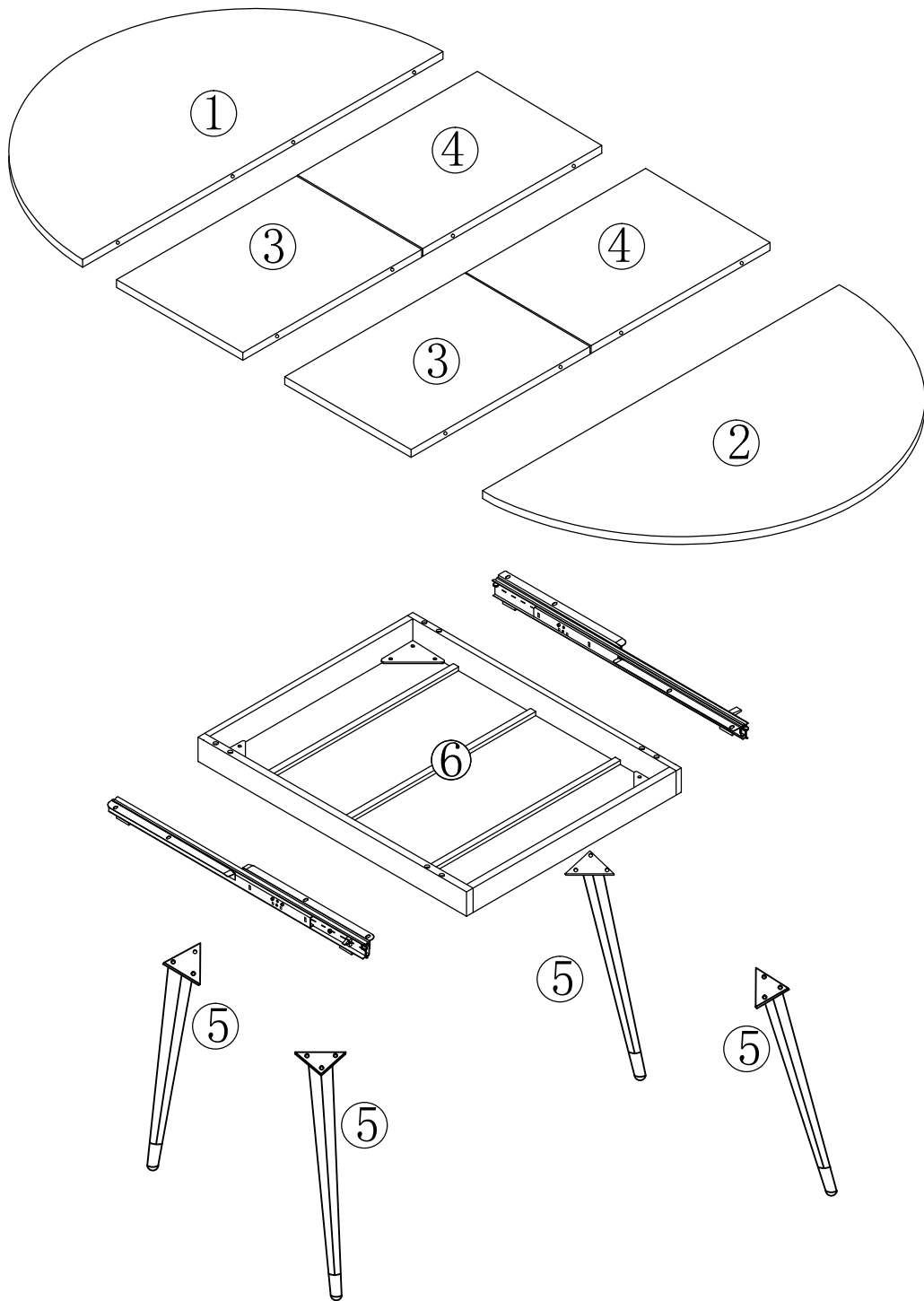


When installing, please carefully confirm whether each screw corresponds to the manual, accessories with similar shapes can be distinguished by size

Tips: The number after "+" represents the spare hardware

 $\phi 8*15\text{mm}$ *1	 *1 $\phi 8*14\text{mm}$	 $\phi 8*75 \text{ mm}$					
<input type="radio"/> (A)	20 pcs	<input type="radio"/> (B)	12 pcs	<input type="radio"/> (C)	8 pcs	<input type="radio"/> (E)	2 pcs
	 $\phi 3.5*14\text{mm}$						
<input type="radio"/> (F)	4 pcs	<input type="radio"/> (G)	26 pcs	<input type="radio"/>		<input type="radio"/>	
<input type="radio"/>		<input type="radio"/>		<input type="radio"/>		<input type="radio"/>	
<input type="radio"/>		<input type="radio"/>		<input type="radio"/>		<input type="radio"/>	
<input type="radio"/>		<input type="radio"/>		<input type="radio"/>		<input type="radio"/>	

Parts List

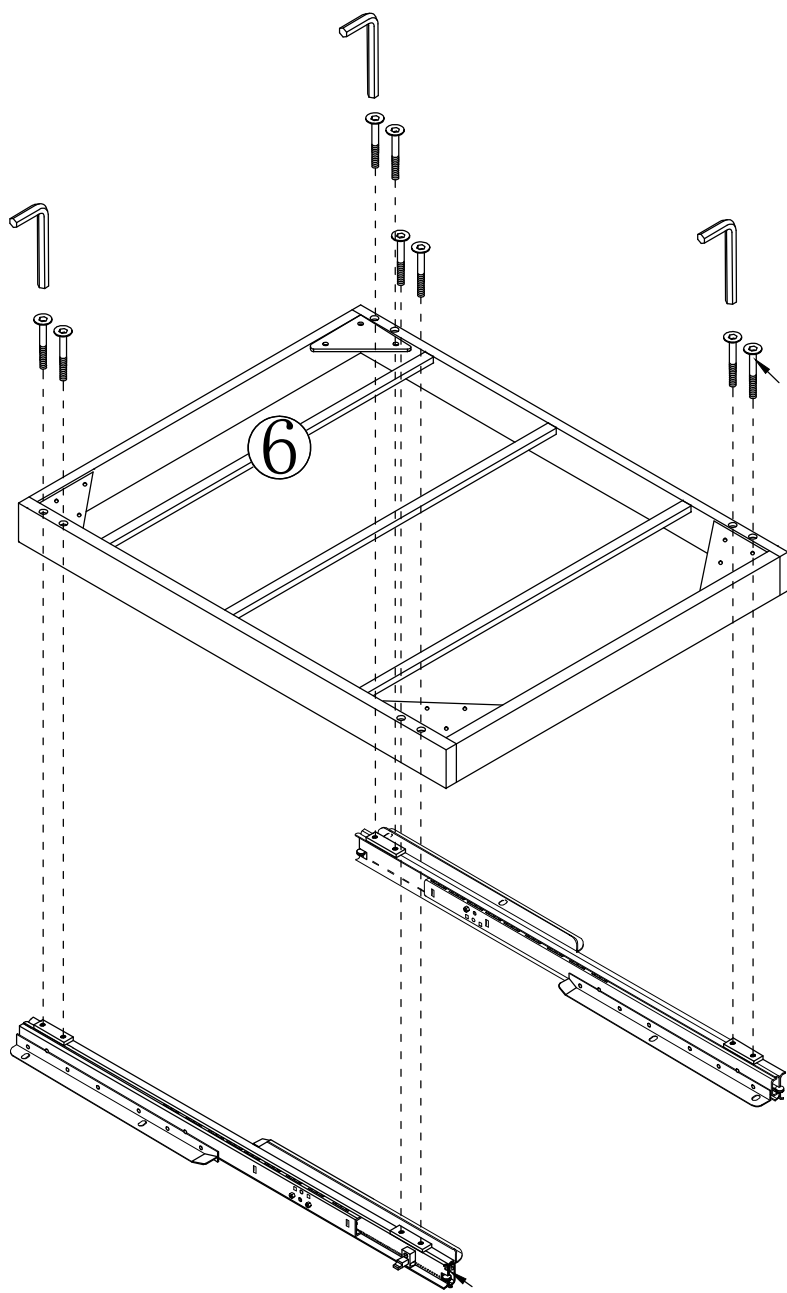
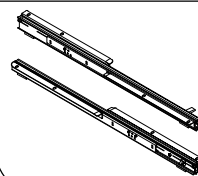


Step 1

C*8

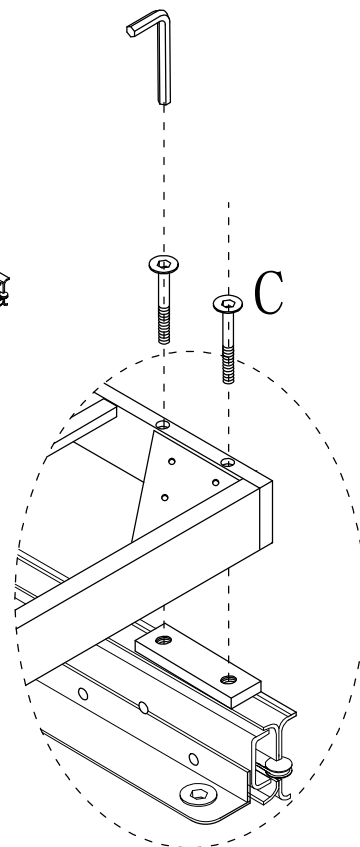


E*2



C*8

E*2

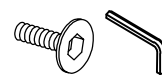


C

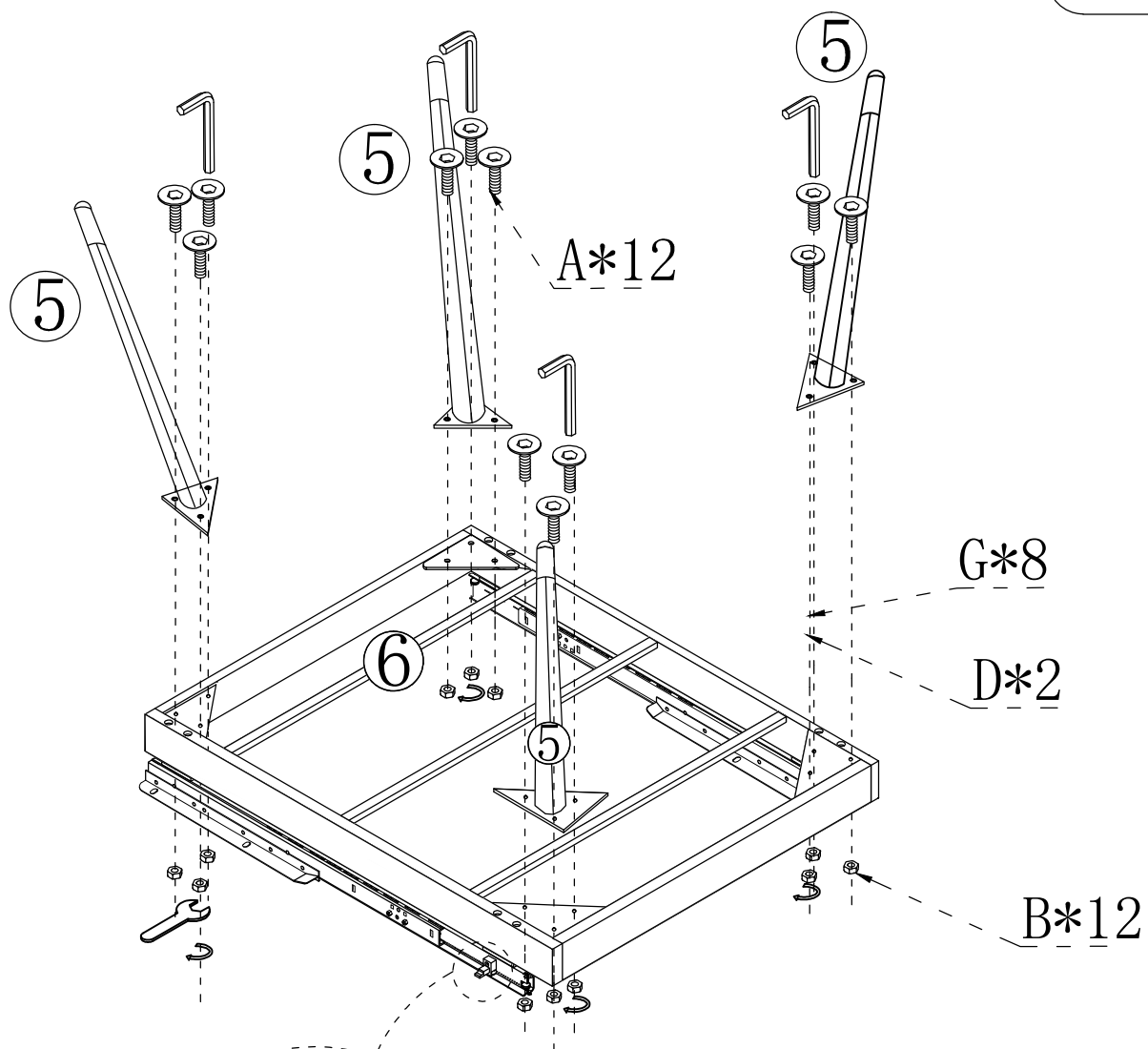
Step 2

Note: Install the corresponding A fittings with B fittings in the horizontal and vertical directions of the embedded holes

A*12

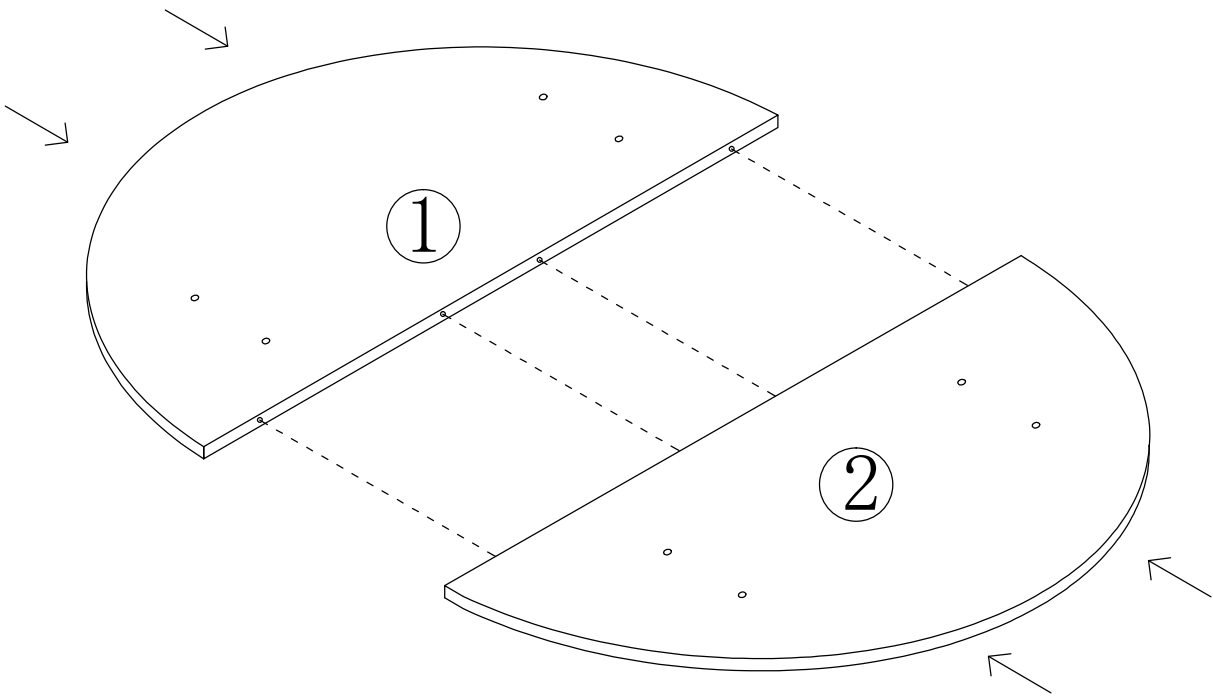


B*12



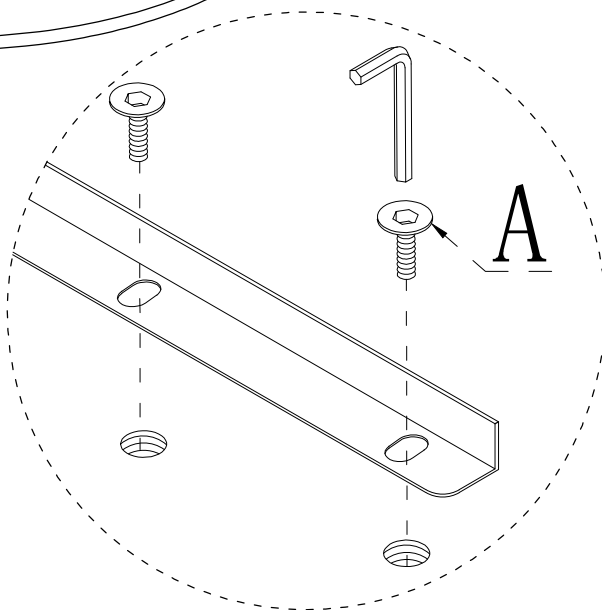
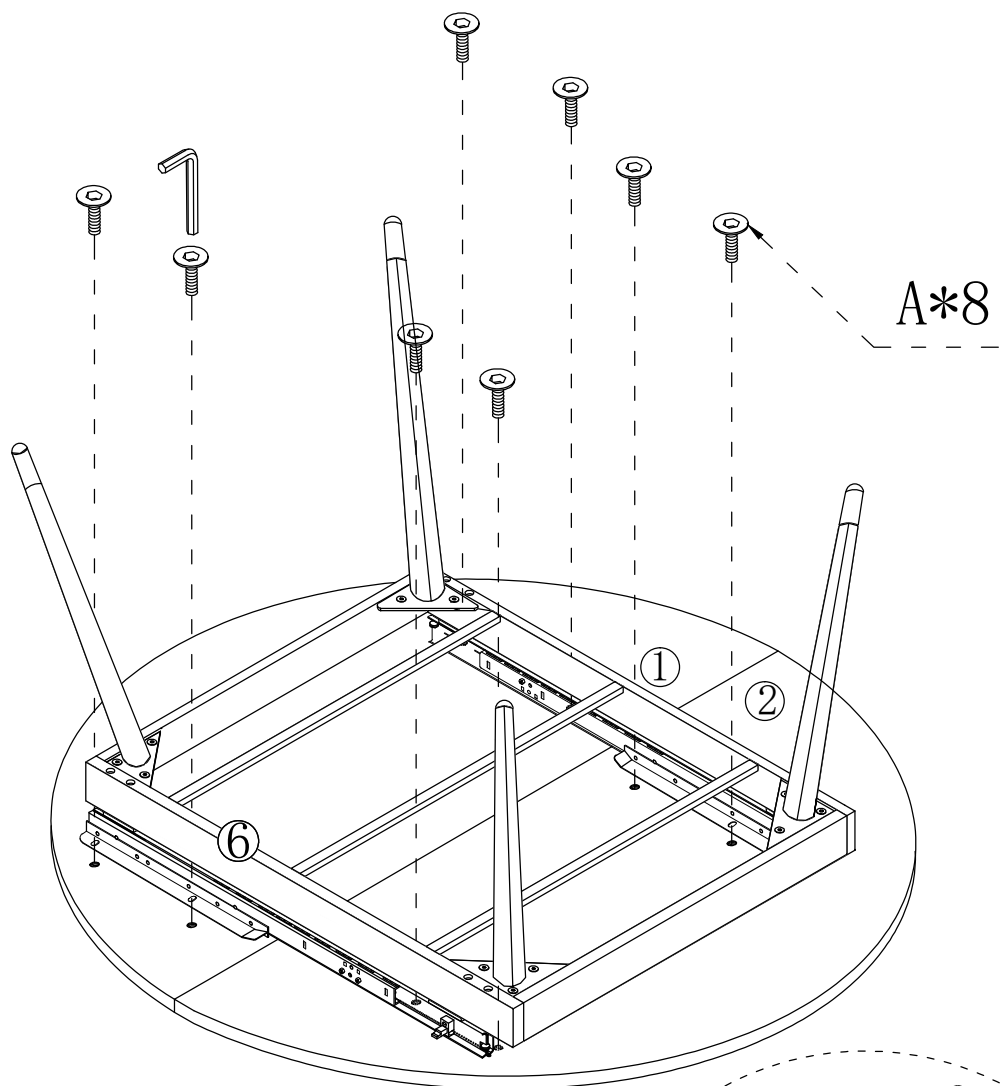
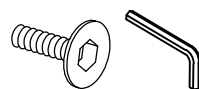
Note: Fix and release the desktop length lock

Step 3



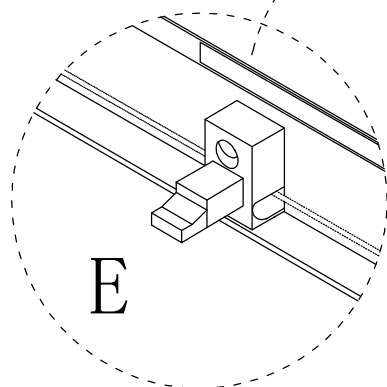
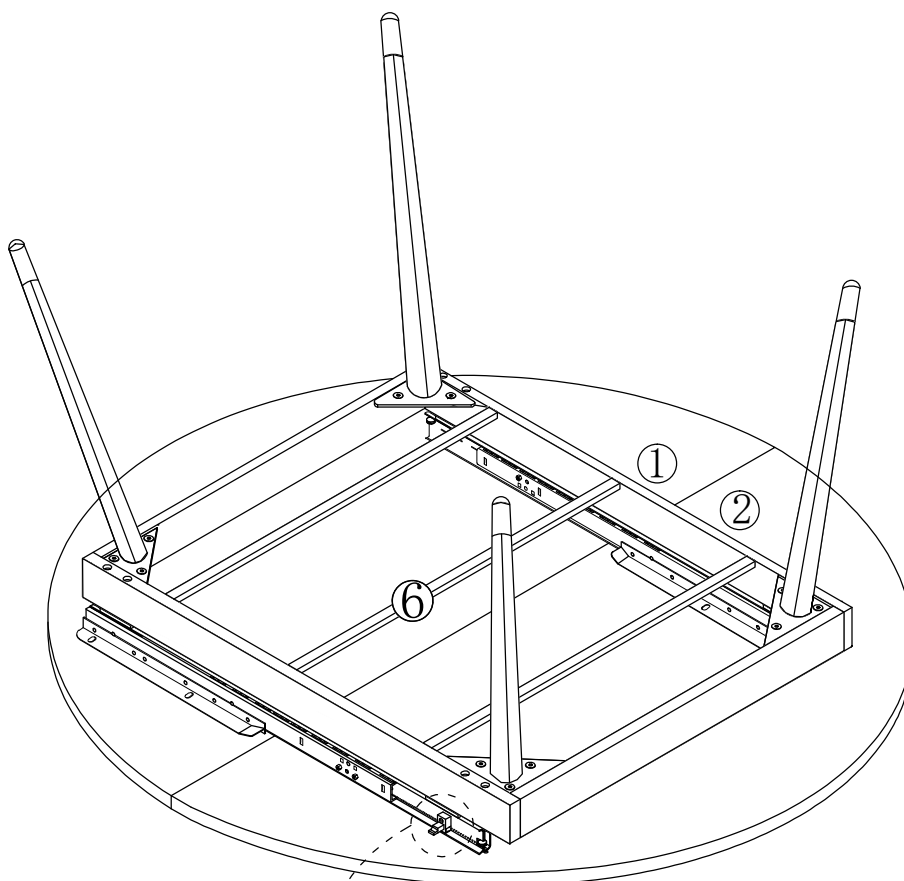
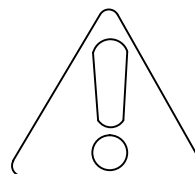
Step 4

A*8



Step 5

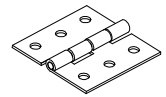
Lock on accessories E, more than 2 people stand in balance, each holding boards 1 and 2 on each side, pay attention to safety



Note: Fix and release the desktop length lock

Step 6

F*4

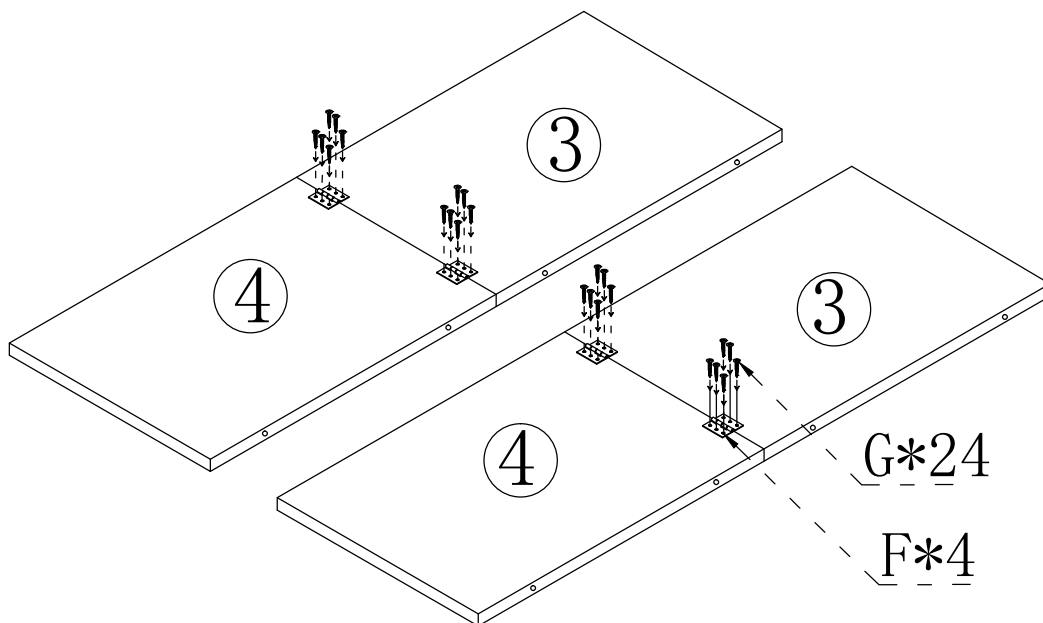


G*24



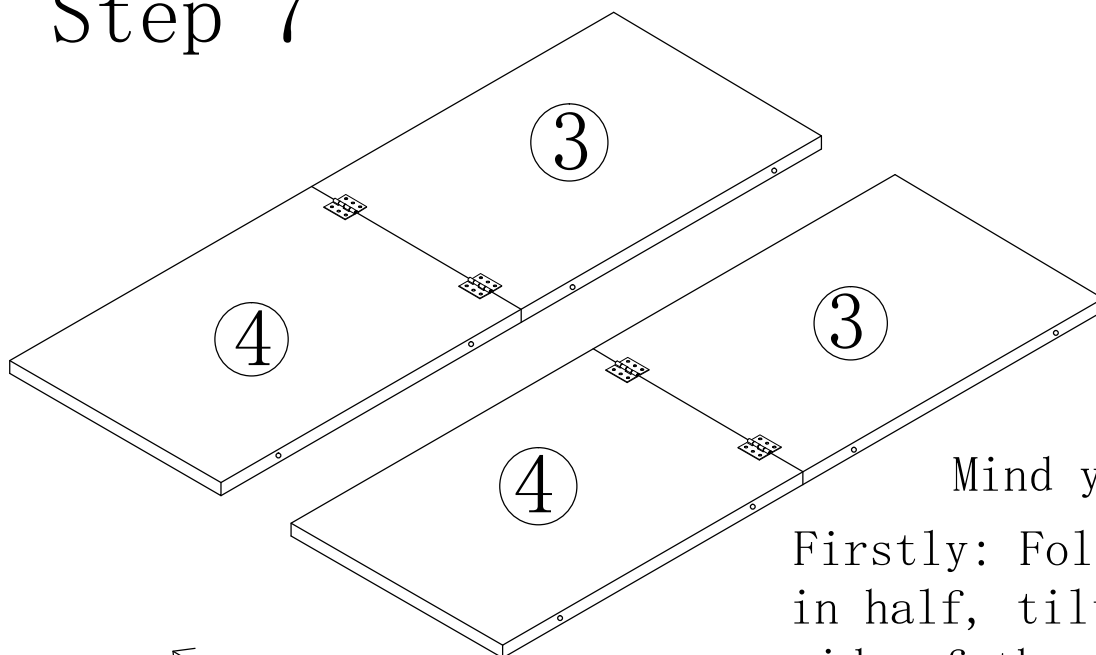
φ 3.5x14mm

Pay attention to safety; be careful of pinching hands

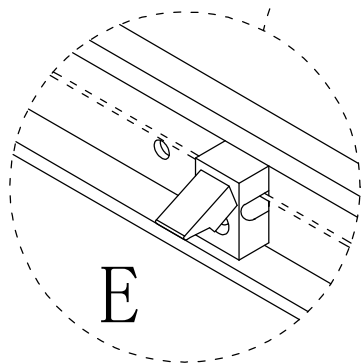
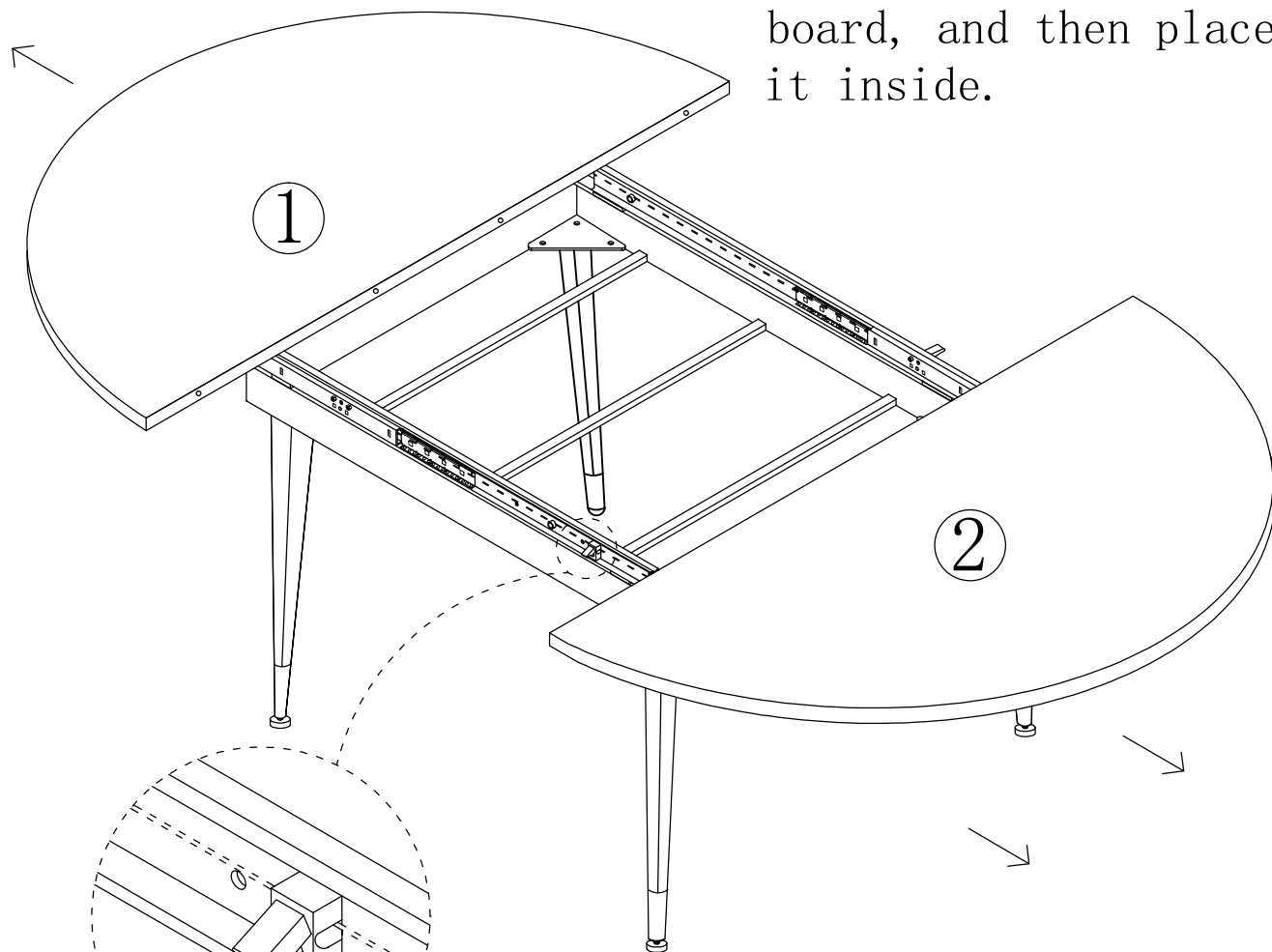


Note: Install the corresponding F fittings with G fittings in the horizontal and vertical directions of the embedded holes

Step 7



Mind your hand
Firstly: Fold 3 and 4
in half, tilt one
side of the wooden
board, and then place
it inside.

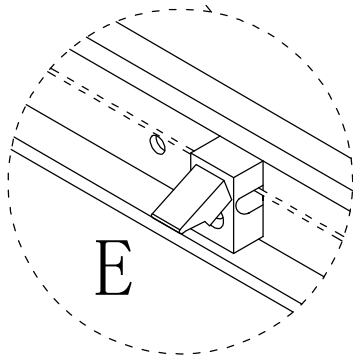
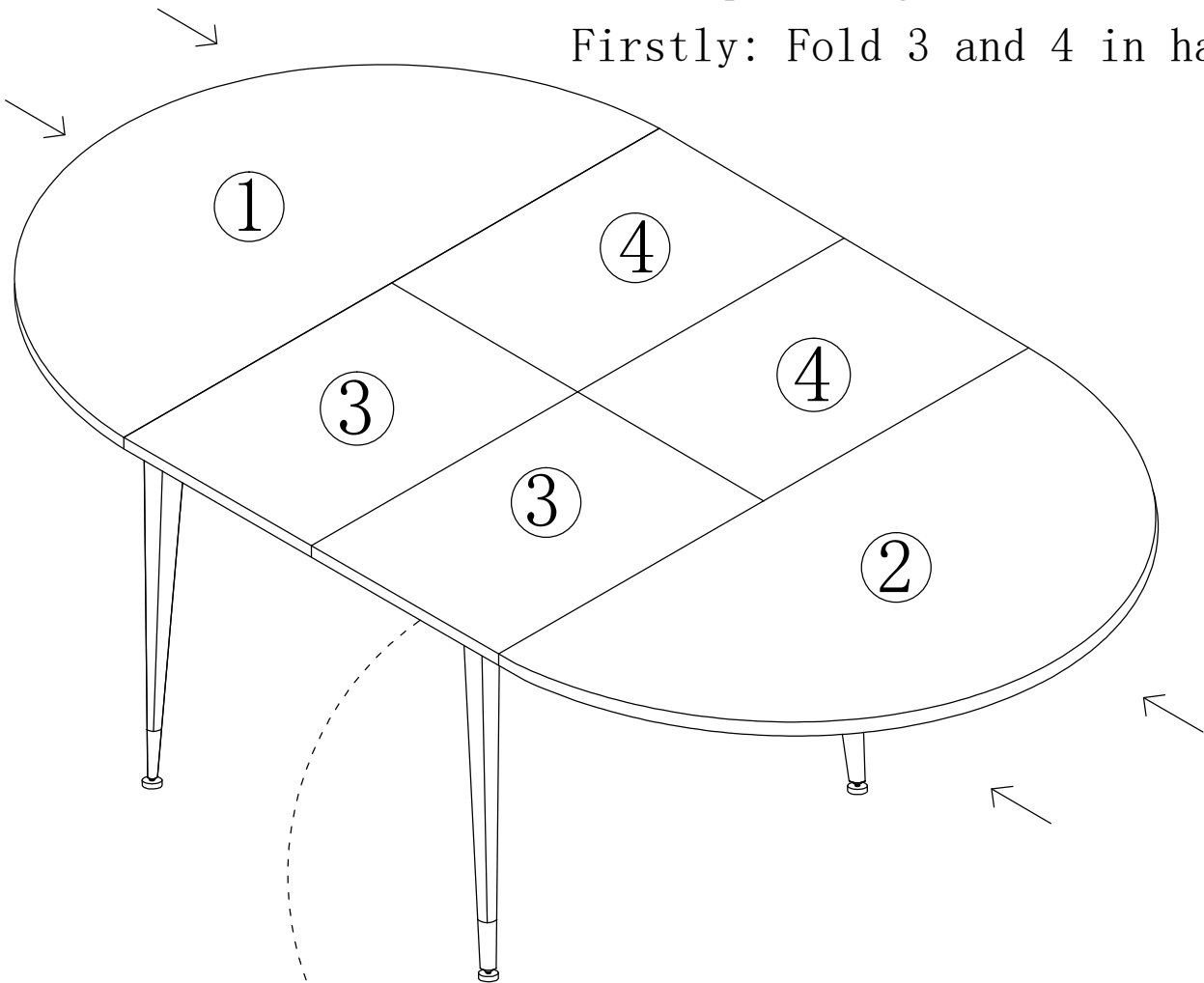


Note: Fix and release the
desktop length lock

Step 8

Pay attention to safety; be careful of pinching hands

Firstly: Fold 3 and 4 in half

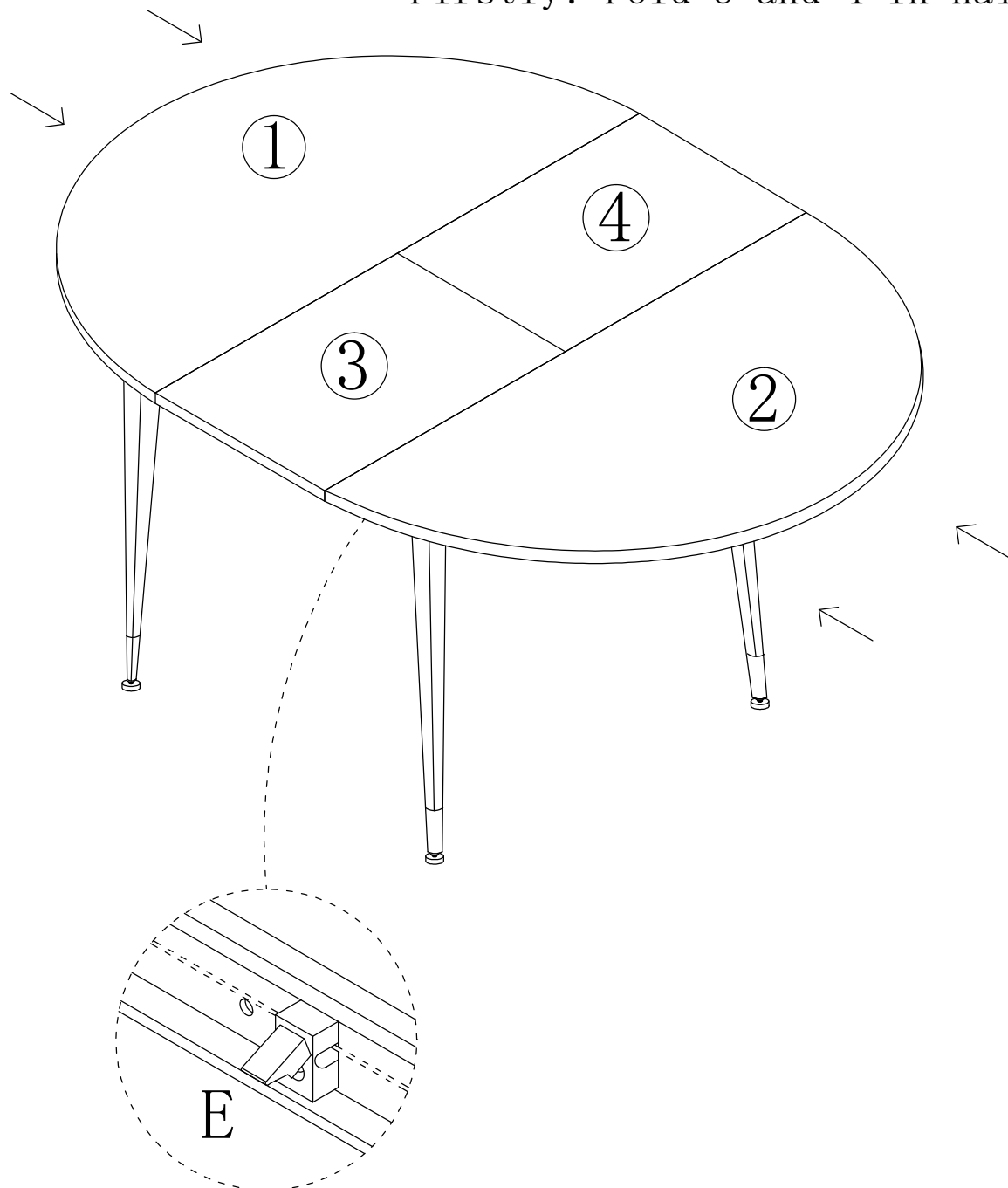


Note: Fix and release the desktop length lock

Step 9

Pay attention to safety; be careful of pinching hands

Firstly: Fold 3 and 4 in half

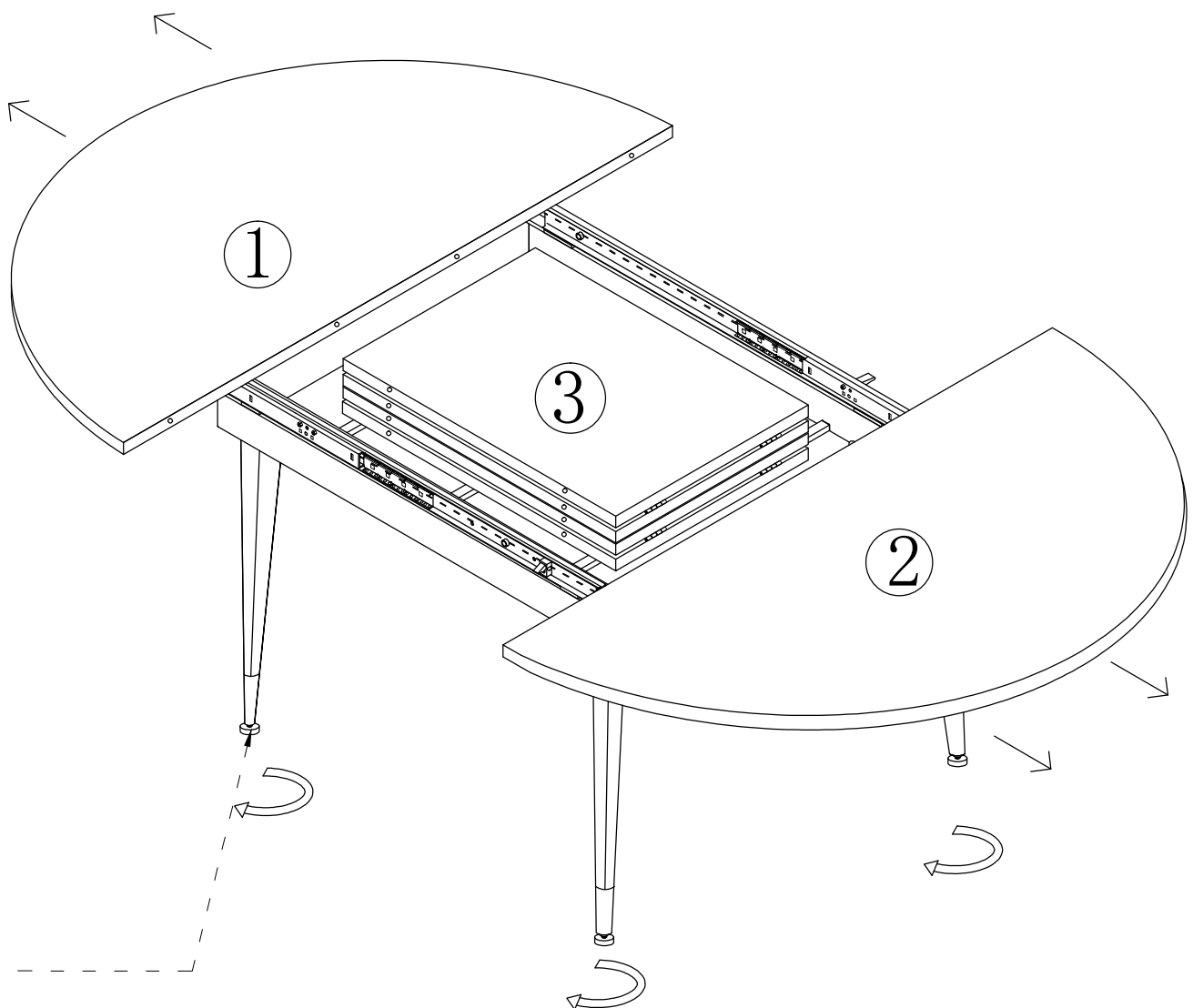


Note: Fix and release the desktop length lock

Step 10

Pay attention to safety; be careful of pinching hands

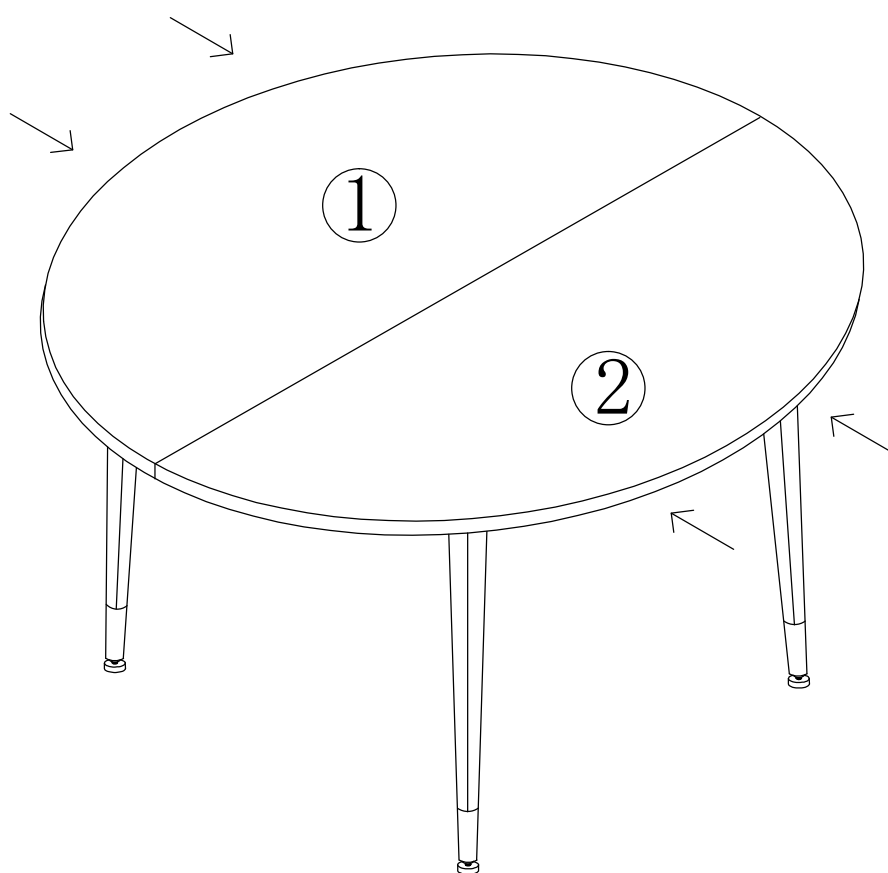
Firstly, tilt one side of the wooden boards 3 and 4, and then place them inward.



Adjustable angle adjustment
of the whole, desktop
flatness

Step 11

Installation completed



SAFETY TIPS: Static charge may cause dust on foam- clean with a dry or damp cloth. Small foam strands may be present- handle gently and dispose of properly. Do not burn or incinerate. Check local recycling guidelines