

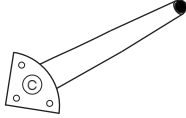
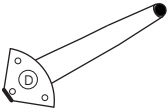




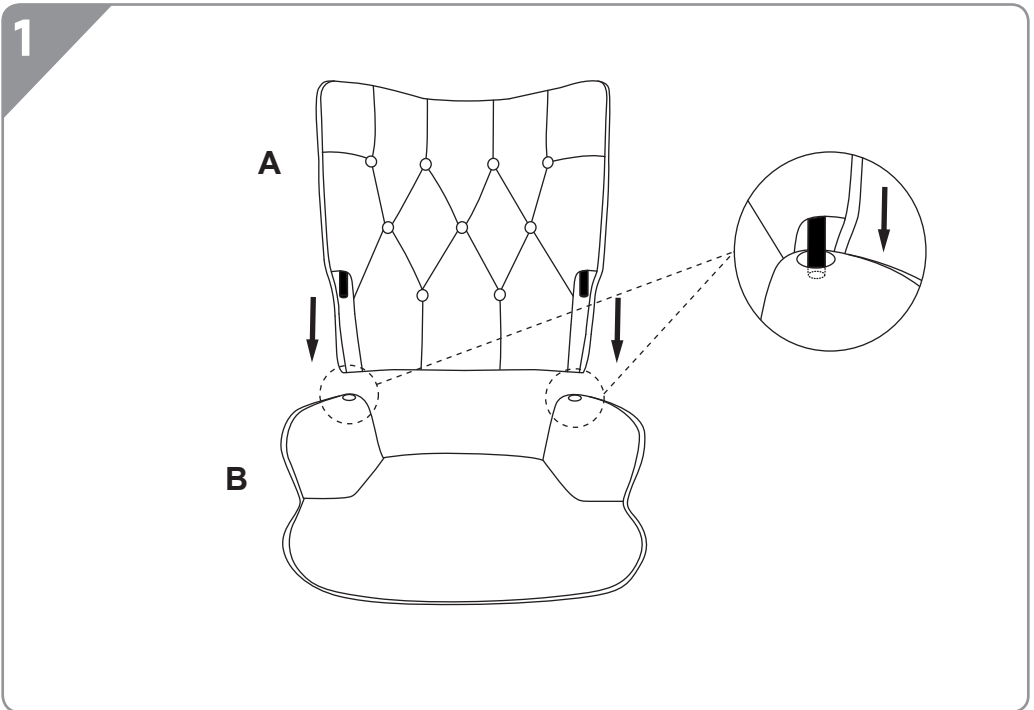


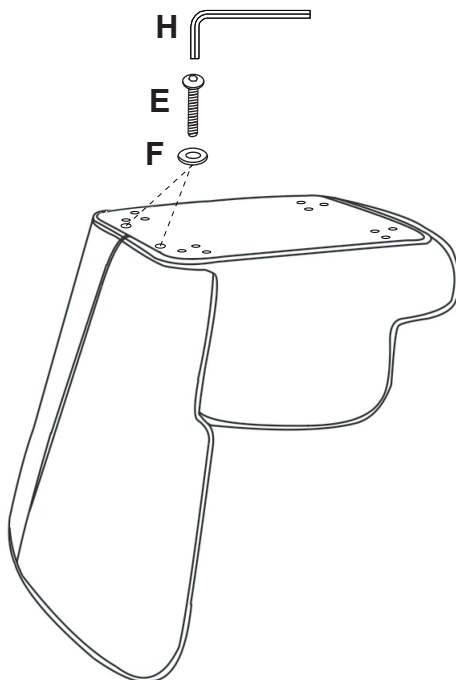
<p><b>A</b> ×1</p> 	<p><b>B</b> ×1</p> 	<p><b>C</b> ×2</p> 	<p><b>D</b> ×2</p> 
<p><b>E</b> ×2</p>  <p><b>M6×65mm</b></p>	<p><b>F</b> ×2</p>  <p><b>22mm</b></p>	<p><b>G</b> ×12</p>  <p><b>M6×18mm</b></p>	<p><b>H</b> ×1</p>  <p><b>M6</b></p>

**Notes:**

- Please read this instruction manual thoroughly before assembly.
- Remove all parts and accessories from carton to ensure everything is included before assembly.
- Assemble the item on carpet to prevent scratching the floor or the chair.
- Be careful to avoid cross threading of the screws.
- Do not use power tools.

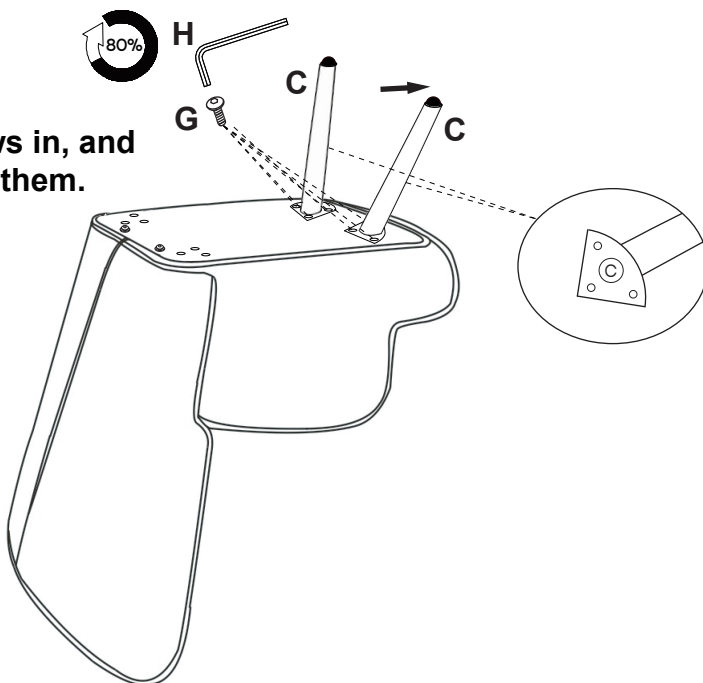


2

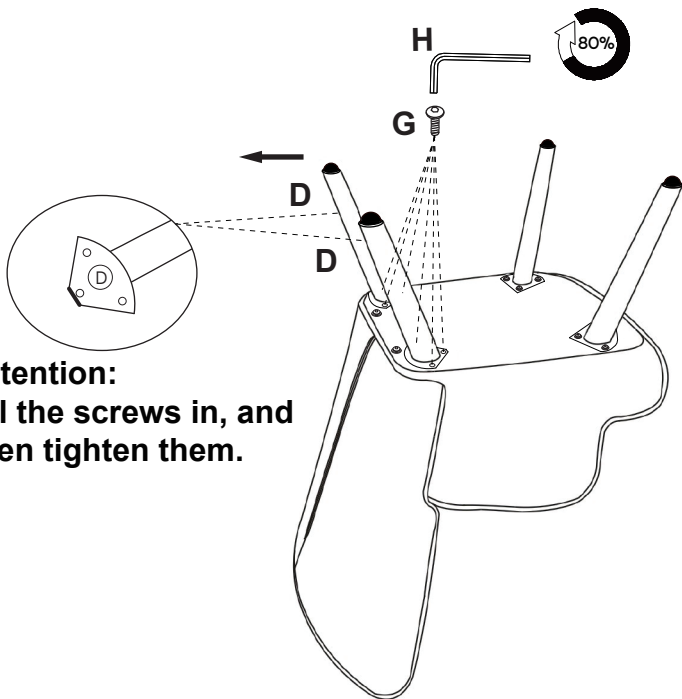


3

**Attention:**  
All the screws in, and  
then tighten them.

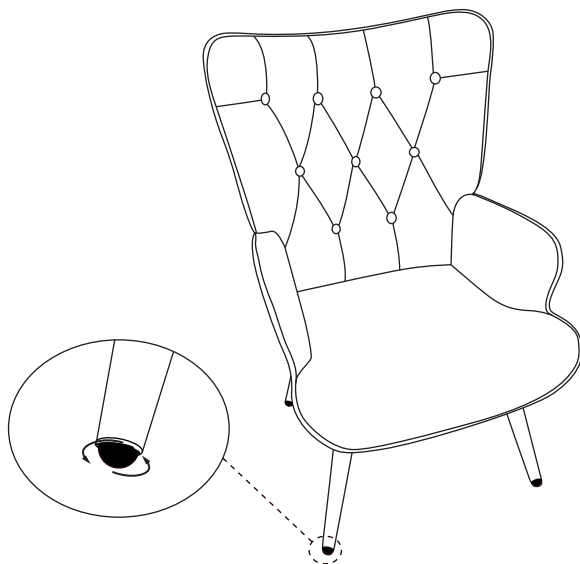


4

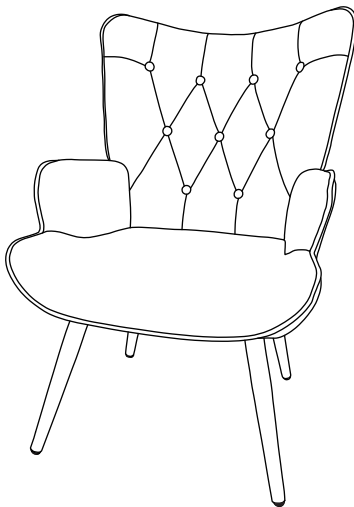


**Attention:**  
All the screws in, and  
then tighten them.

5



6



IT IS THE USER'S RESPONSIBILITY TO MAINTAIN THE FURNITURE. THE HARDWARE MAY LOOSEN OVER TIME AND MAY CAUSE THE FURNITURE TO BE WOBBLY AND UNABLE TO SUPPORT ITS INTENDED WEIGHT CAPACITY. THIS MAY LEAD TO COLLAPSE AND MAY CAUSE SERIOUS INJURY !!!