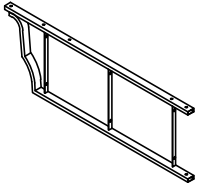
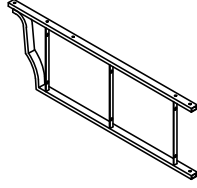


ASSEMBLY INSTRUCTION

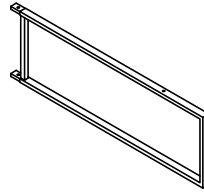
A Side Upper Frame - LSF **B** Side Upper Frame - RSF **C** Side Lower Frame **D** Shelf Frame



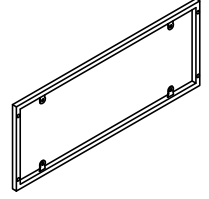
1pc



1pc



2pcs

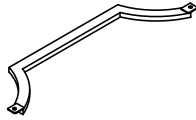


3pcs

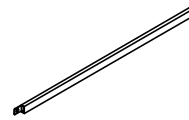
E Cross Bar **F** Upper Connect Bar **G** Lower Connect Bar **H** Shelf Board



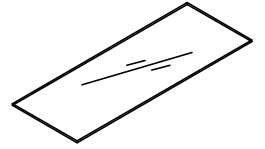
2pcs



1pc

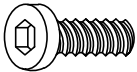


1pc



3pcs

I Bolt
Ø1/4"x1/2"



24pcs

J Sucker



12pcs

K Leveler



4pcs

L Allen Key
M4



1pc

M Wall Anchor
Ø8x29mm
(Anti-Tipping)



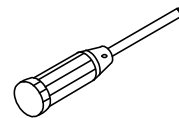
2pcs

N Wood Screw
Ø3/16"x38mm
(Anti-Tipping)

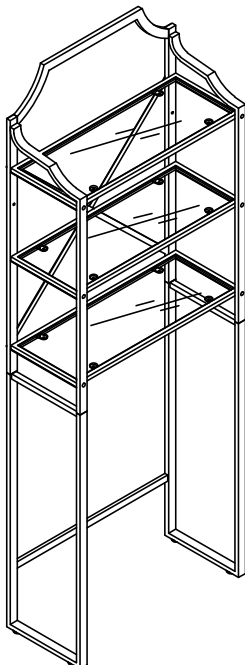


2pcs

O Screwdriver
(Not Provided)



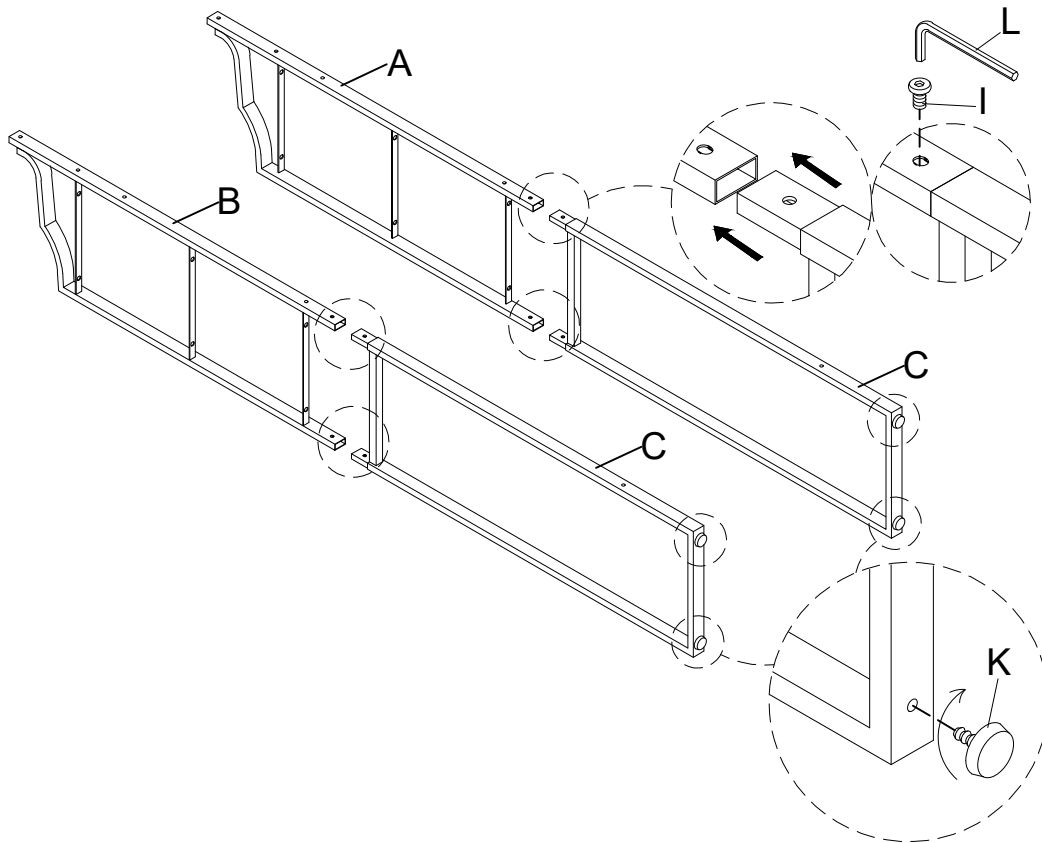
1pc



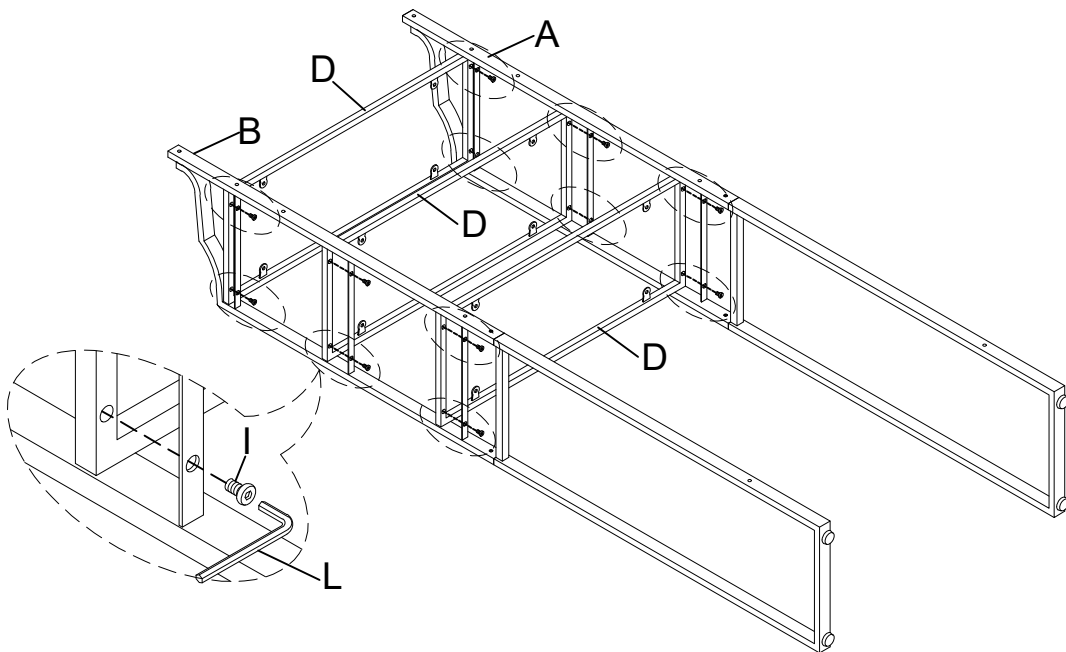
This pages lists all the contents included in the box. Please take the time to identify the hardware as well as the individual components to this product. As you unpack and prepare for assembly, place the contents on a carpeted or padded area to protect them from damage.

Remark: The max weight capacity of glass shelves are 13lbs.

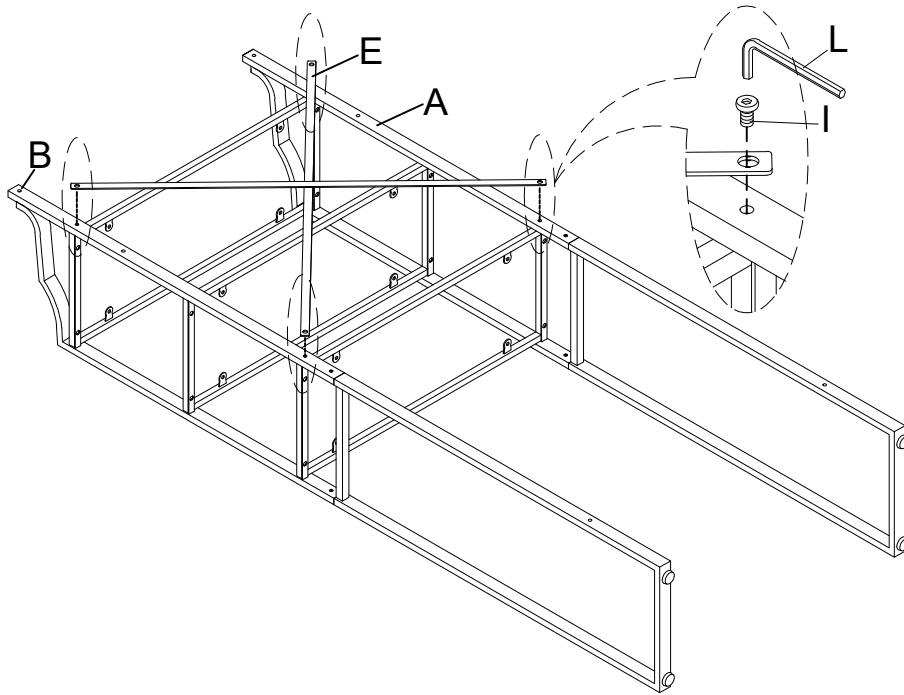
- 1** First, assemble Side Lower Frame (C) to Side Upper Frame - LSF (A) & Side Upper Frame - RSF (B), using Bolt (I) by Allen Key (L). Second, assemble Leveler (K) to the bottom of Side Lower Frame (C) as below shown.



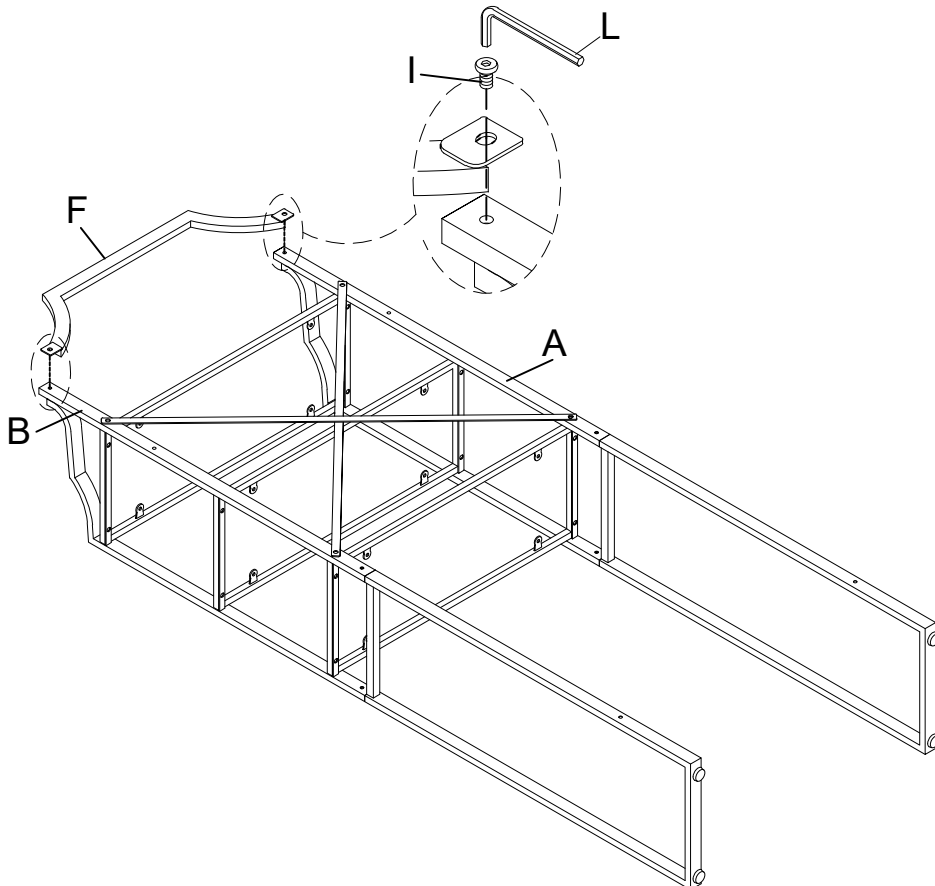
- 2** First, assemble Shelf Frame (D) to Side Upper Frame - LSF (A) & Side Upper Frame - RSF (B), using Bolt (I) by Allen Key (L) as below shown.



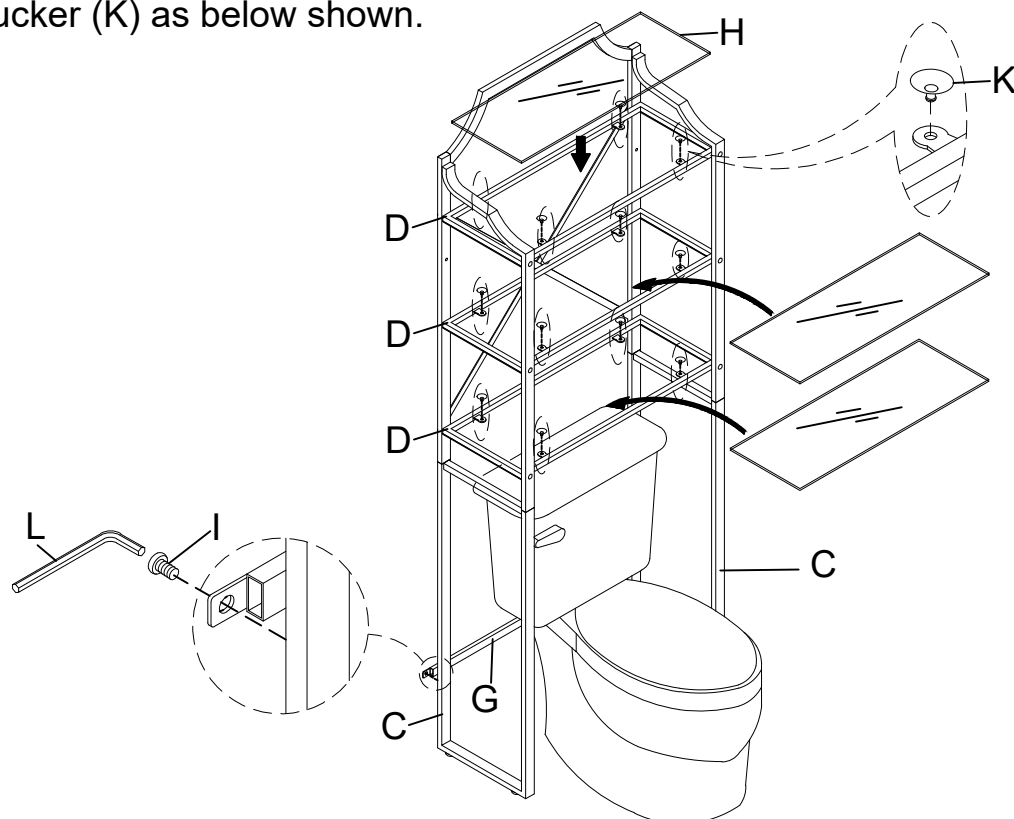
3 Assemble Cross Bar (E) to Side Upper Frame - LSF (A) & Side Upper Frame - RSF (B), using Bolt (I) by Allen Key (L) as below shown.



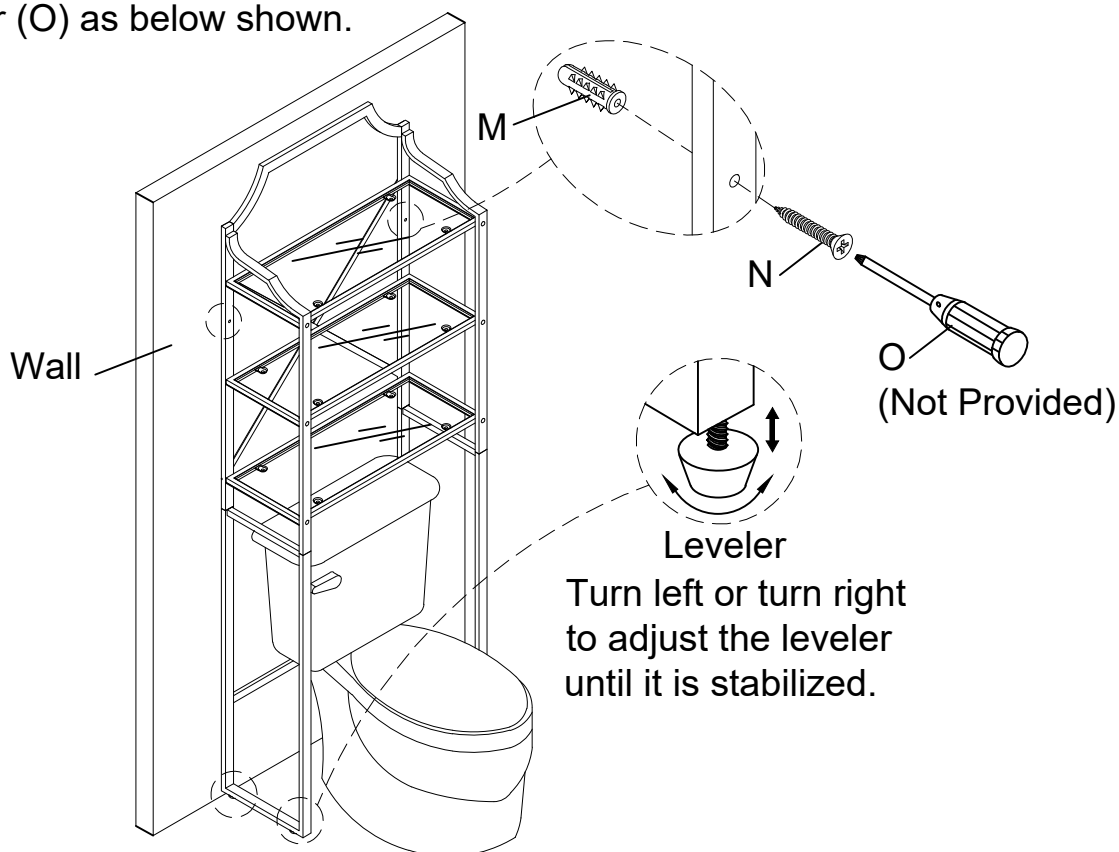
4 Assemble Upper Connect Bar (F) to Side Upper Frame - LSF (A) & Side Upper Frame - RSF (B), using Bolt (I) by Allen Key (L) as below shown.



- 5** First, assemble Lower Connect Bar (G) to Side Lower Frame (C) by Allen Key (L). Second, assemble Sucker (K) to each Shelf Frame (D) then put Shelf Board (H) on the Sucker (K) as below shown.



- 6** Remark: Drill a hole on the wall, assemble the Wall Anchor (M) into the hole, then using Wood Screw (N) to lock the Space Saver with the Wall Anchor (M) by Screwdriver (O) as below shown.



Cleaning & Care

Treat surface with care. Surface is resistant to scratches but is not scratch resistant. Clean surfaces with a dry or damp soft cloth. Do not use abrasive cleaners. Hardware may loosen over time. Periodically check that all connections are tight.