

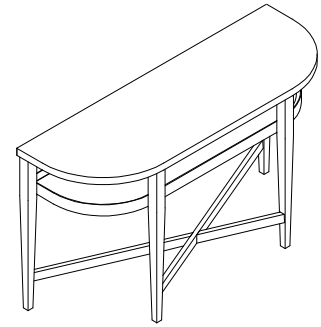
ASSEMBLY INSTRUCTIONS

TOOLS REQUIRED:

Allen Wrench (Provided, Part E)
Phillips Screw Driver (Not Provided)

BEFORE YOU START:

1. Check the hardware against the hardware list to make sure all items are present.
2. Assemble your furniture on a soft, flat surface to avoid scratching the finish.
3. CAUTION: Do not over tighten screws, nuts or bolts during assembly.
4. Your furniture may require occasional tightening.



INSTRUCTIONS:

1. Turn the table on to a clean soft surface .
2. Attach bottom stretcher to the legs using Screw (F).As shown in Figure 1 .
3. Attach middle shelf to the legs using Bolt (B), Lock Washer(C), Flat Washer (D) and tighten all bolts using Allen Wrench (E).As shown in Figure 2 .
4. Attach the legs to the top using Bolt (A), Lock Washer (C), Flat Washer (D) and tighten all bolts using Allen Wrench (E).As shown in Figure 3 .
5. Attach back rail to the legs using Bolt (B), Lock Washer(C), Flat Washer (D) and tighten all bolts using Allen Wrench (E).As shown in Figure 4 .
6. Tighten all bolts before setting table back up right .

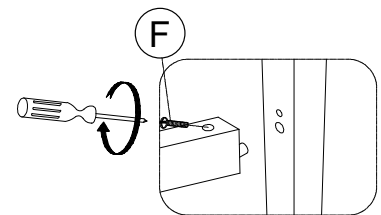


Figure 1

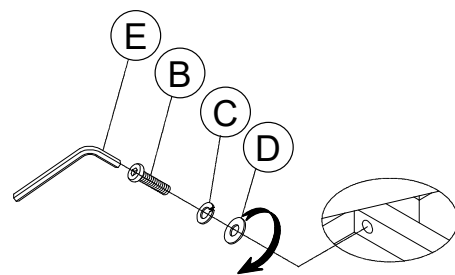
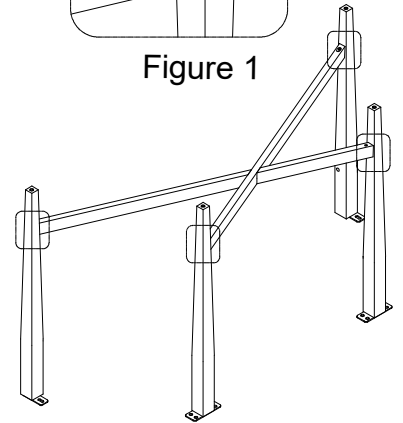
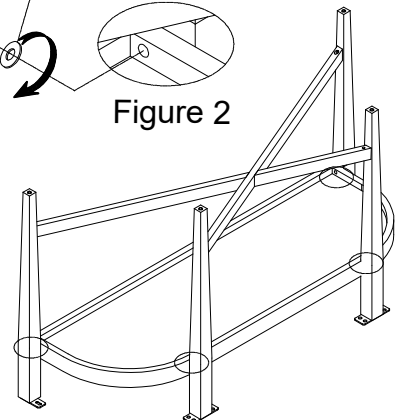







Figure 2



HARDWARE LIST			
A		Ø1/4"x1" Bolt	12pcs
B		Ø1/4"x1-1/2" Bolt	10pcs
C		Ø1/4"x13mm Lock Washer	22pcs
D		Ø1/4" x19mm Flat Washer	22pcs
E		1/4"x100mm Allen Wrench	1pc
F		Ø5/32"x1-1/4"Screw	4pcs

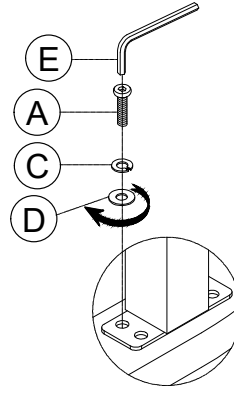
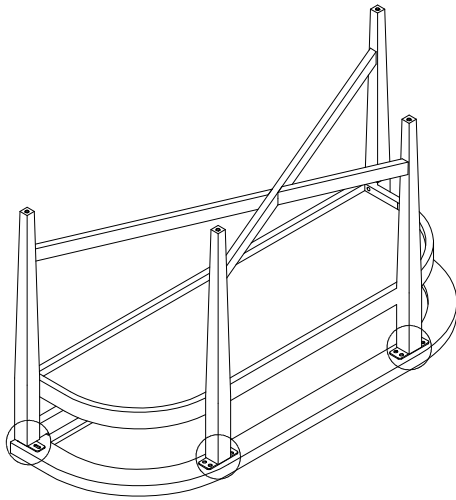


Figure 3

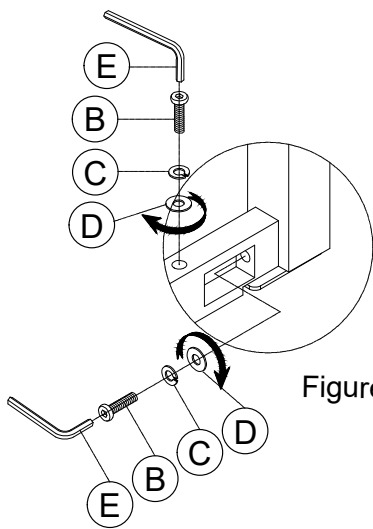
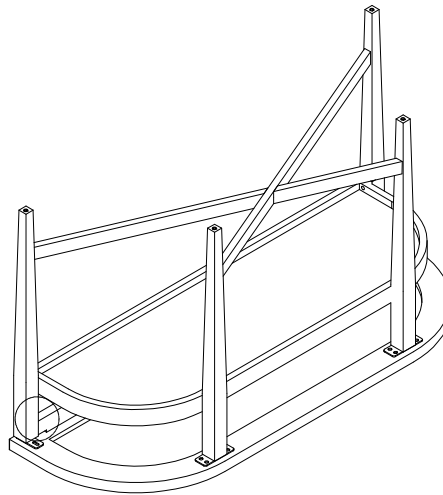


Figure 4