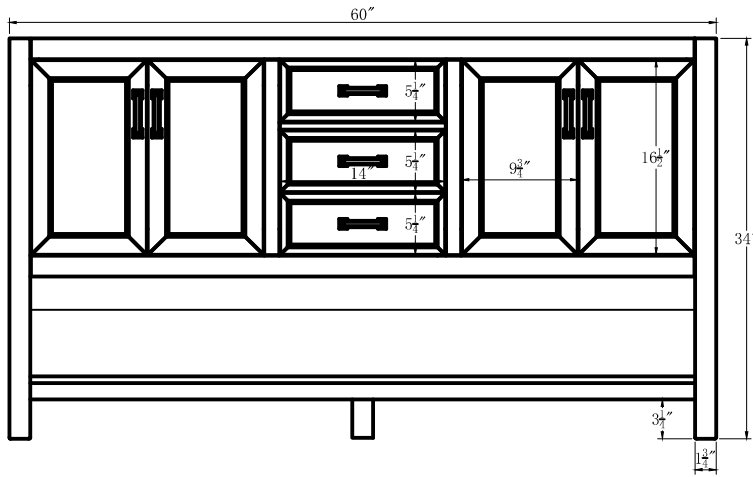
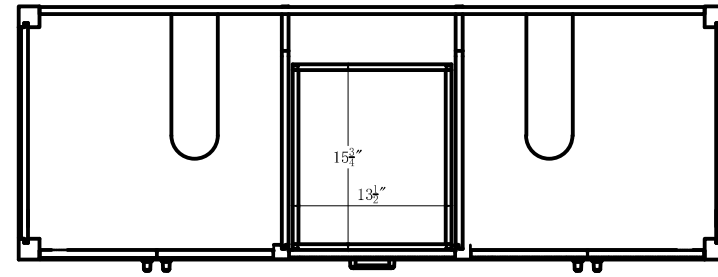


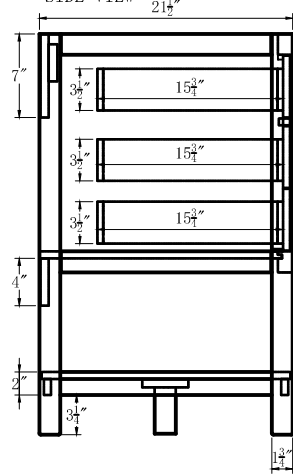
-FRONT VIEW



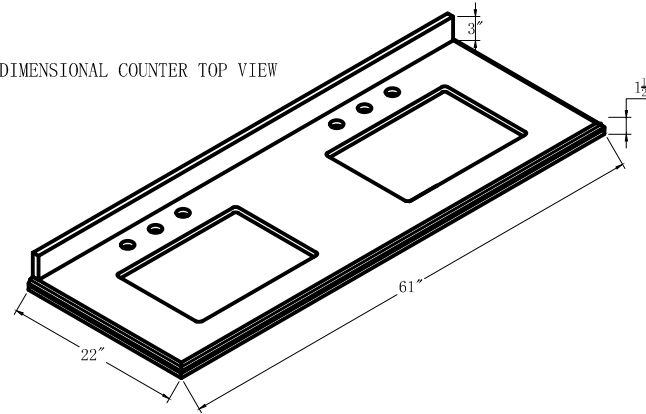
-PLAN VIEW



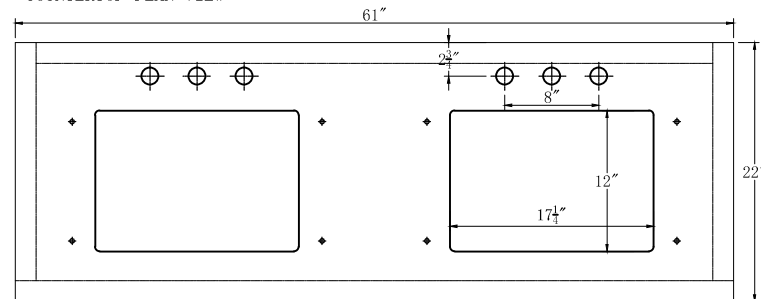
-SIDE VIEW



-THREE DIMENSIONAL COUNTER TOP VIEW



-COUNTERTOP PLAN VIEW



-EDGE SIDE VIEW

