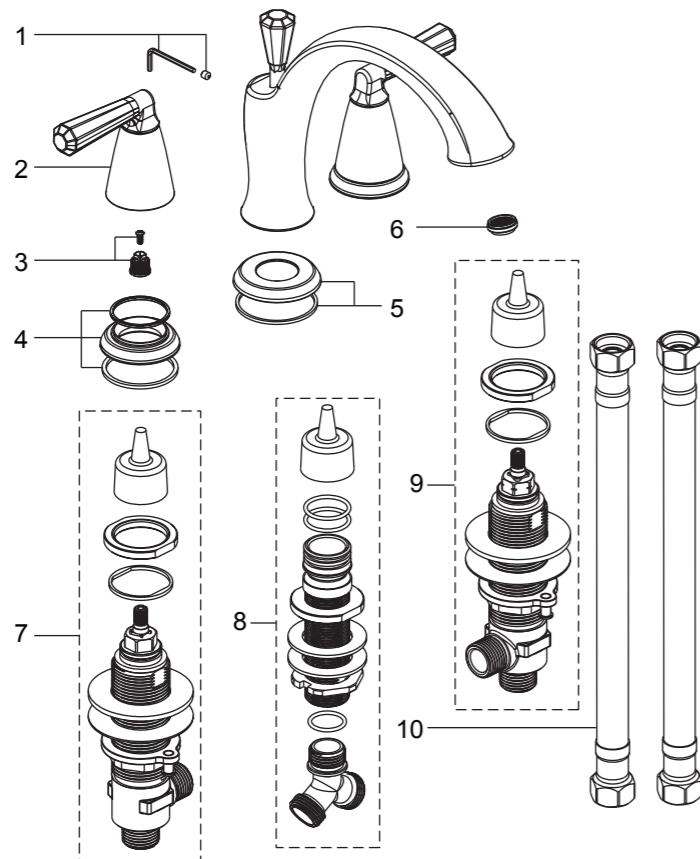


Replacement Parts / Pièces de rechange / Repuestos

NO.	Description	Part No.
1	Set Screw & Allen Key	9Q1350NT
2	Handle	5C0001500CP/AP/HA/HBW0
3	Handle Adaptor	9Q224700PL
4	Base Assembly	9Q224800CP/AP/HA/HBW
5	Base Assembly	9Q224900CP/AP/HA/HBW
6	Aerator	5E0M0115PL
7	Hot Valve Body Assembly	9Q225300NT
8	Spout Nipple and Tee Assembly	9Q225600NT
9	Cold Valve Body Assembly	9Q225400NT
10	Hose	5G0M0055CP



Limited Lifetime Warranty

Ultra Faucets warrants to the original purchaser that its products will be free from defects in workmanship and materials. All Ultra Faucets are provided with a life time limited warranty. This warranty does not cover any other labor or service charges associated with the removal, repair, or reinstallation of Ultra Faucets products. This express warranty does not apply to products that have been damaged as a result of misuse, abuse, negligence, accident, faulty installation or maintenance practices and/or used in any manner contrary to those recommended by the manufacturer.

Need help? Please call our toll-free customer service line at 1-888-658-5872 for additional assistance or service.

Besoin d'aide? Veuillez communiquer avec notre service à la clientèle au numéro gratuit 1-888-658-5872 pour tous renseignements ou services complémentaires.

¿Requiere asistencia? Llame a nuestro Servicio al Cliente, sin costo, al 1-888-658-5872 para asistencia adicional o servicio.

UF65400
UF65403
UF65405
UF65407

Z Collection

Two Handle Roman Tub Faucet
 with Rough-in Valve



Installation/Installation/Instalación

CUSTOMER SERVICE

TOLL-FREE 1-888-OK-ULTRA (658-5872)

UF65400 - Polished Chrome

UF65403 - PVD Brushed Nickel

UF65405 - Oil Rubbed Bronze

UF65407 - Matte Black



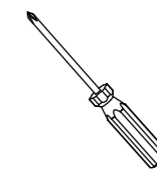
Tools You Will Need / Outils dont vous aurez besoin / Herramientas necesarias



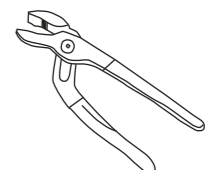
Adjustable Wrench
 Clé à molette
 Llave ajustable



Pipe Tape
 Ruban pour tuyau
 Cinta selladora para rosca



Phillips Screwdriver
 Tournevis cruciforme
 Destornillador cruciforme



Groove joint pliers
 Pince multiprise
 Pinzas ajustables

SAFETY TIPS

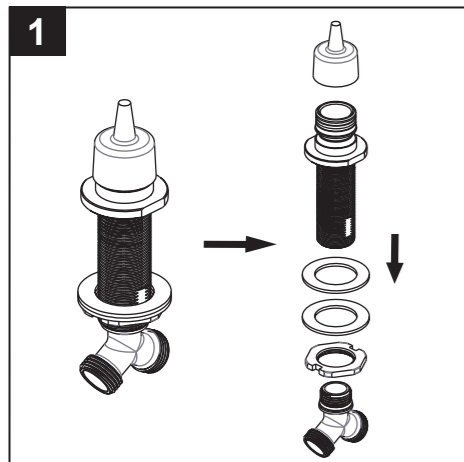
- If you use soldering for the installation of the faucet, the seats, cartridges and washers will have to be removed before using flame. Otherwise, warranty will be void on those parts.
- Cover your drain to avoid losing parts.
- 0°C~55°C.

CONSIGNES DE SÉCURITÉ

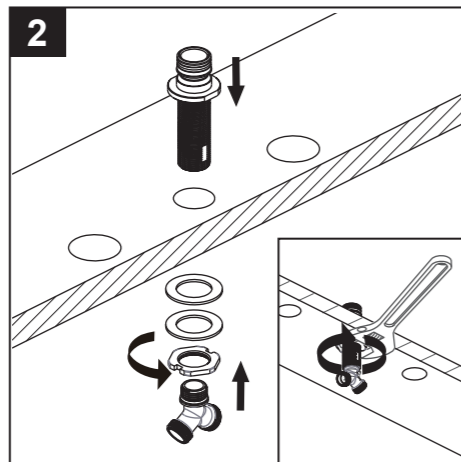
- Si vous posez le robinet par brasage, il est essentiel de retirer les sièges, les cartouches et les rondelles avant d'appliquer la flamme, faute de quoi la garantie sur ces pièces sera annulée.
- Couvrez le drain pour ne pas perdre des pièces.
- 0°C~55°C.

CONSEJOS DE SEGURIDAD

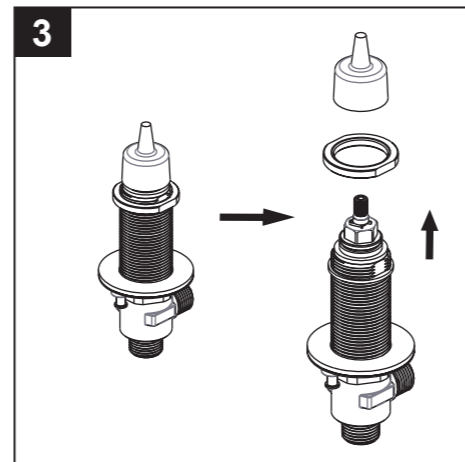
- En el caso de utilizar soldadura para instalar el grifo, remueva los asientos, cartuchos y arandelas antes de usar la llama. De lo contrario, se anulará la garantía para esos componentes.
- Tape la boca del desagüe para prevenir la pérdida de piezas pequeñas.
- 0°C~55°C.



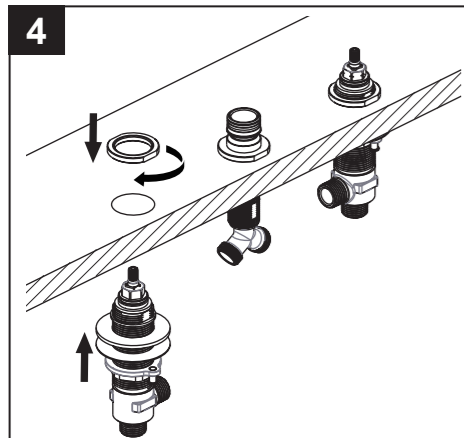
1 Remove the mud guard from the spout assembly and unthread the tee.



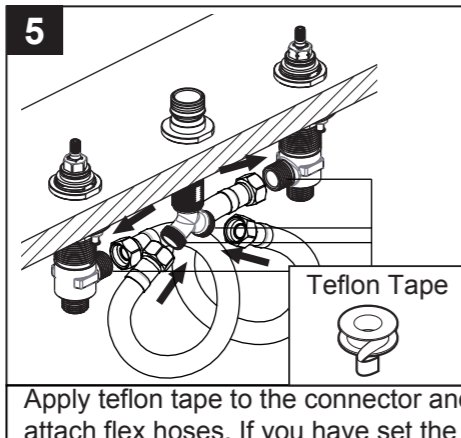
2 Slide the spout nipple down into the spout hole and secure by threading on the washer and nut.



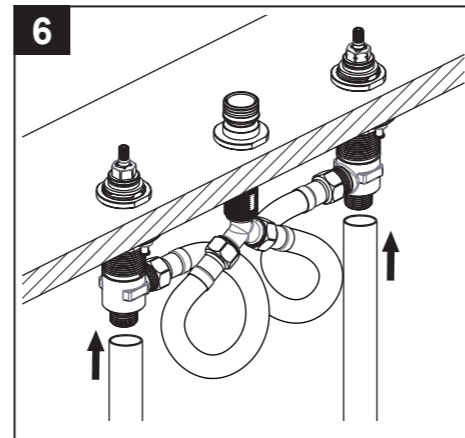
3 Remove the mud guards from the hot and cold valves.



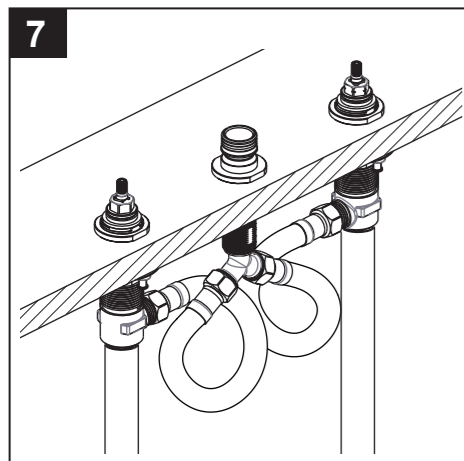
4 Push the hot and cold valves up from the bottom and thread on the valve nuts from the top to secure the valves.



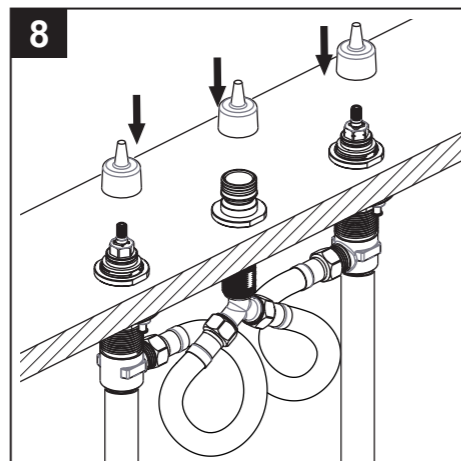
5 Apply teflon tape to the connector and attach flex hoses. If you have set the hot and cold valves more than 12" from the spout nipple assembly, please supply a code approved supply hose.



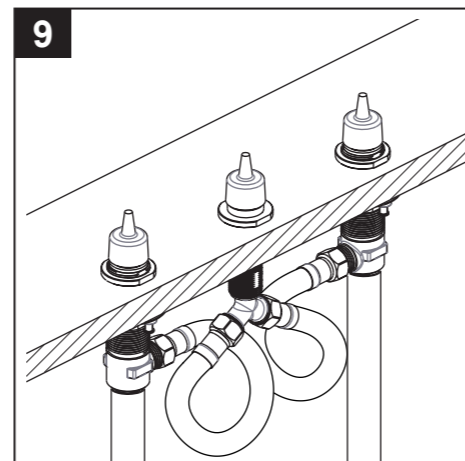
6 Connect valves to water supplies using the proper fittings.



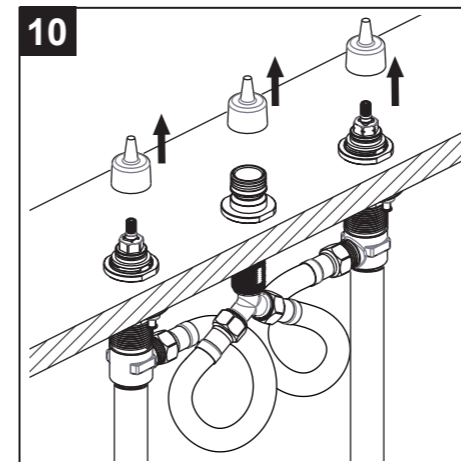
7 Turn on water supply and check for leaks.



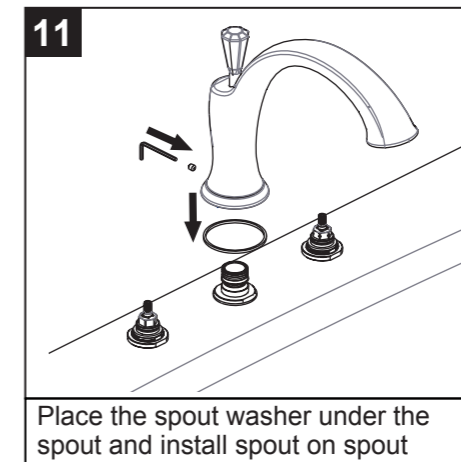
8 Replace mud guards.



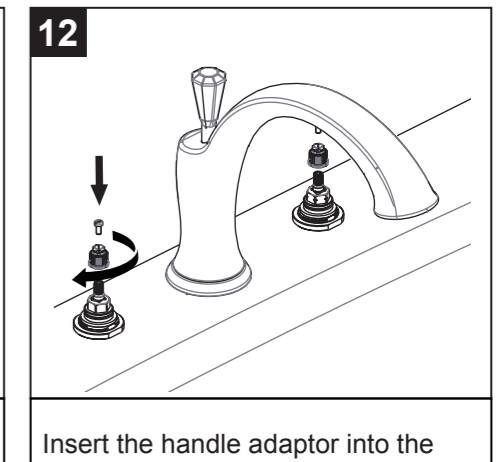
9 Installation completed.



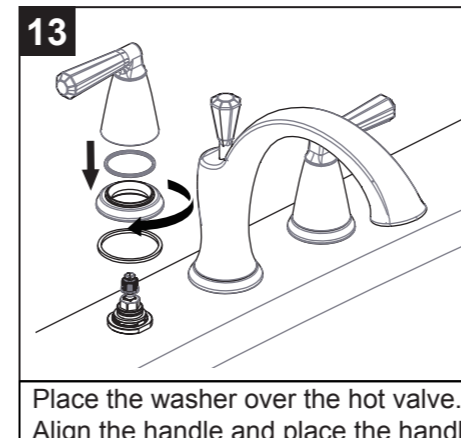
10 Remove the mud guards from the spout nipple assembly, the hot and cold valves.



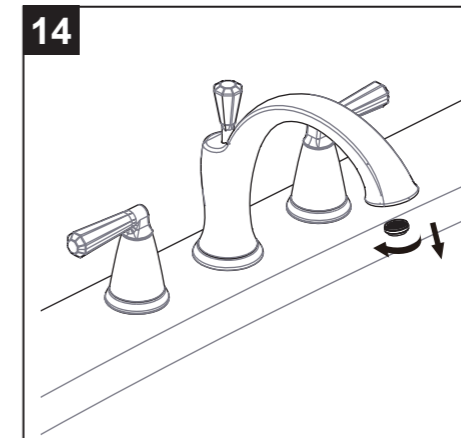
11 Place the spout washer under the spout and install spout on spout nipple assembly. Be sure the spout is firmly resting on the deck and secure the spout with the setscrew.



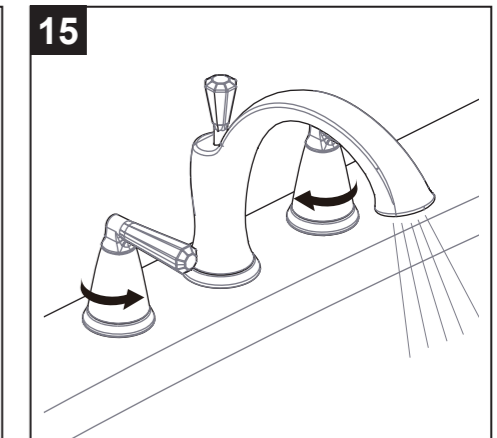
12 Insert the handle adaptor into the hot valve. Secure the assembly by turning the screw clockwise. Repeat for cold valve.



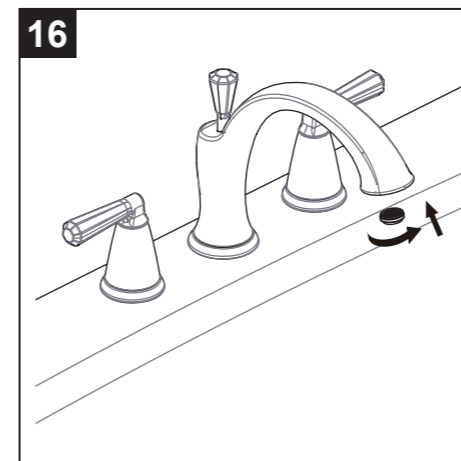
13 Place the washer over the hot valve. Align the handle and place the handle and escutcheon assembly into the valve. Secure the assembly by turning the escutcheon clockwise. Repeat for cold valve.



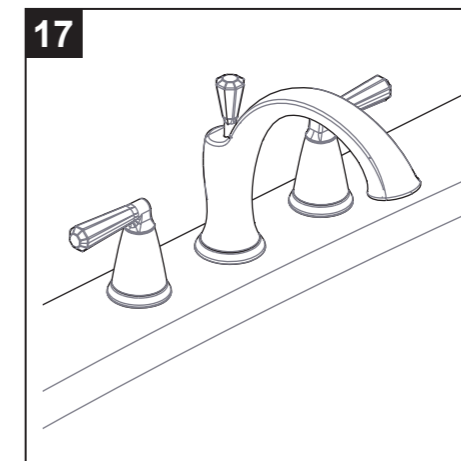
14 Remove the aerator with coin. Turn water supply on.



15 Turn the faucet handles on full for one minute to flush debris.



16 Re-install the aerator with coin.



17 Installation complete.