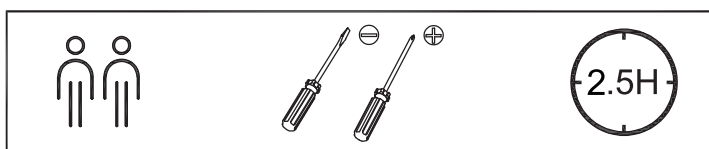
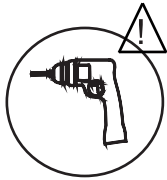


x2



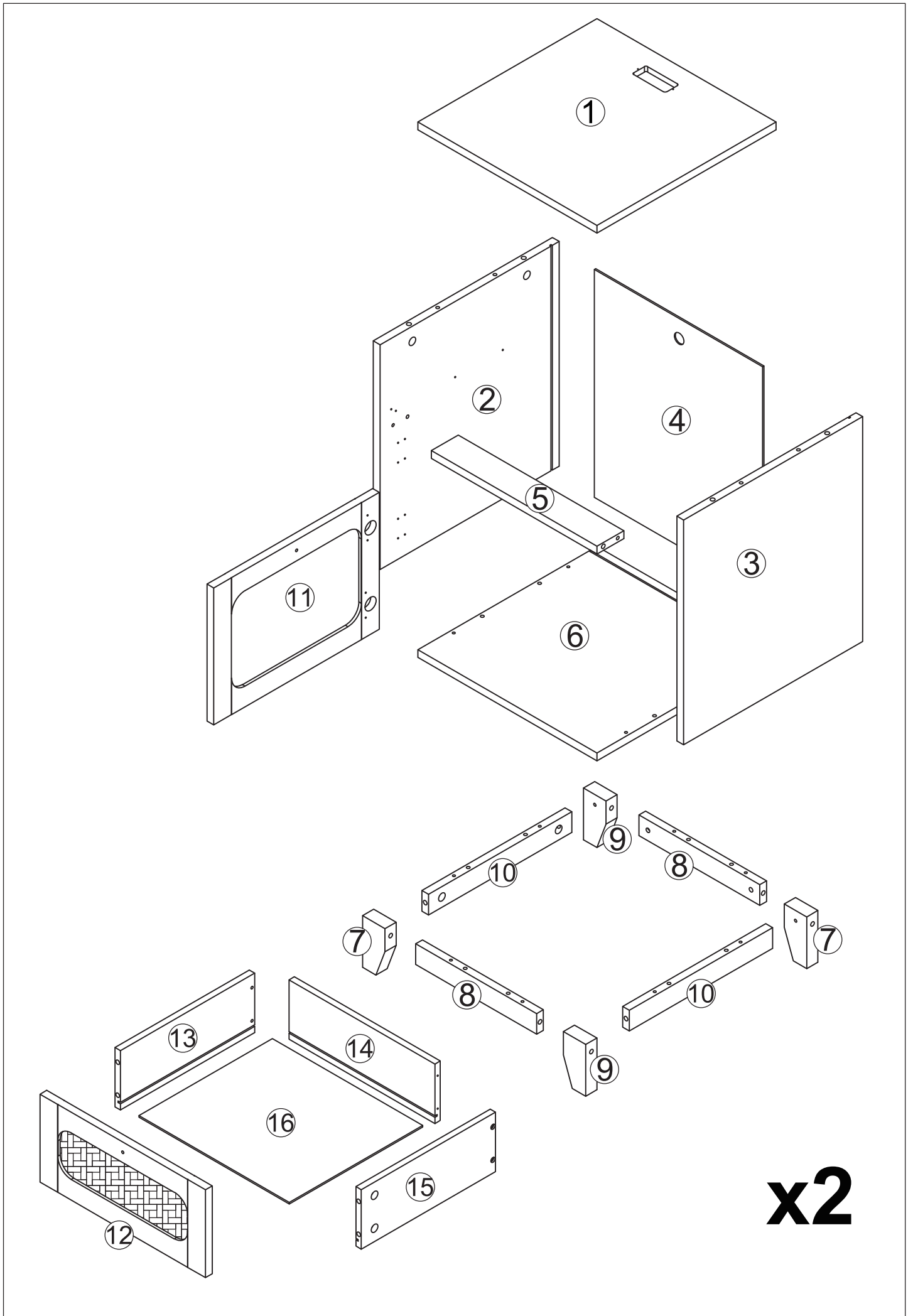
CAUTION:When tightening the screws,tighten sequentially.Do not tighten any screws fully and then towards the next one.When every part is OK, then tighten all the screws.



PLEASE BE CAREFUL DO NOT DAMAGE THE HOLE POSITION WHEN YOU USE POWER TOOLS !

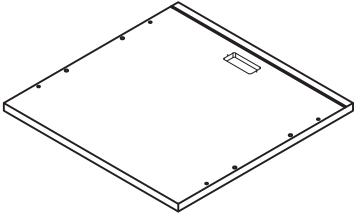
If there are any missing parts, please contact us, and we will send you a brand new replacement.

We also offer an exclusive one-month service where we provide product replacements without the need for repairs, as long as the damage is not caused by human error.

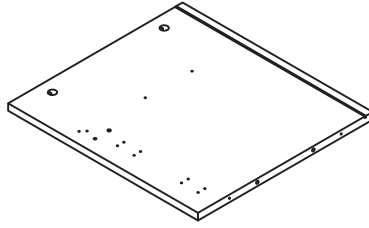


x2

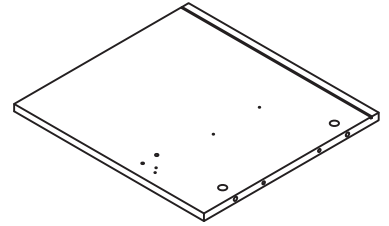
① x2



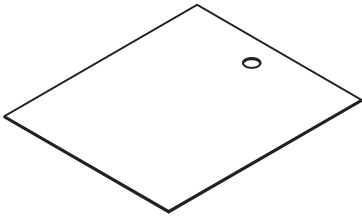
② x2



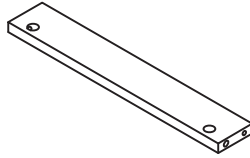
③ x2



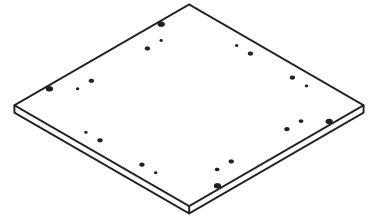
④ x2



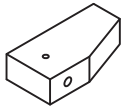
⑤ x2



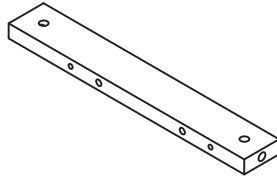
⑥ x2



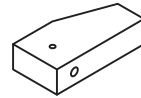
⑦ x4



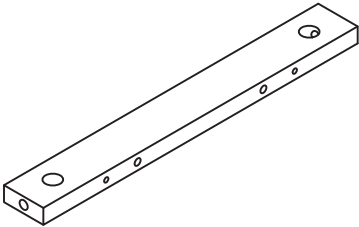
⑧ x4



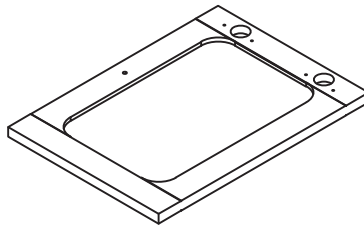
⑨ x4



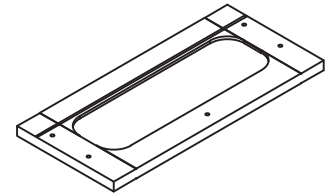
⑩ x4



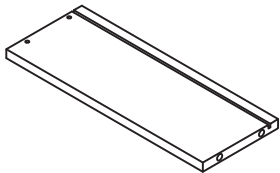
⑪ x2



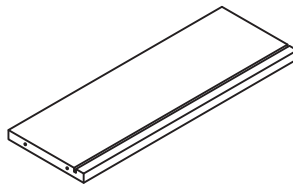
⑫ x2



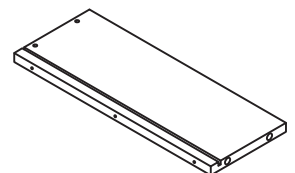
⑬ x2



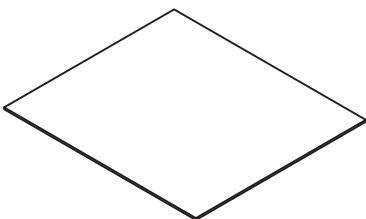
⑭ x2



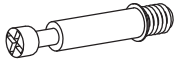
⑮ x2



⑯ x2



A X14(+1)



Ø6x35mm

B X14(+1)



Ø15x10mm

C X18(+1)



Ø6x30mm

D X10



Ø4x35mm

E X14(+1)



Ø3x12mm

F X2

F-1

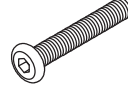


F-2



G X4

G-1



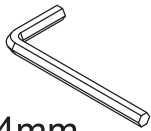
G-2



H X8



I X1

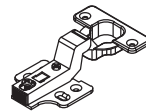


M4mm

J X4



K X2



L X12(+1)



Ø3.5x14mm

M X8



N X4

N-1



N-2



Ø3x16mm

CL X1



L300mm

CR X1



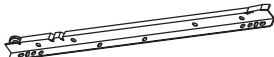
L300mm

DLX1



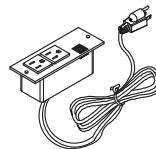
L300mm

DR X1



L300mm

O X1



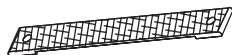
P X2



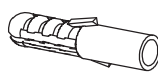
Q X2



R X2



S X2



Ø6x30mm

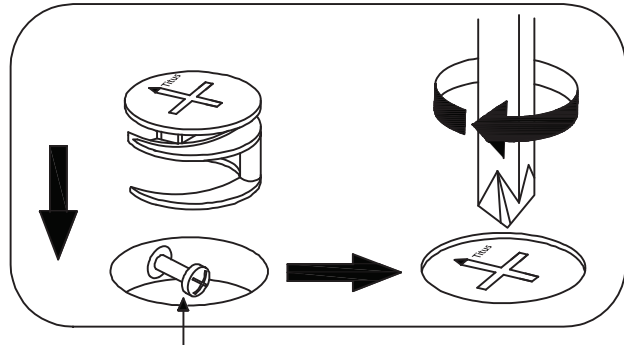
x2

SPECIAL TIPS FOR FITTING CAM-LOCKS AND QUICKFIT

**WHEN FITTING CAMLOCK
ENSURE STARTING POSITION IS CORRECT
BEFORE YOU INSERT CONNECTING QUICKFIT
TURN CLOCKWISE UNTIL SECURE**

CORRECT **WRONG**

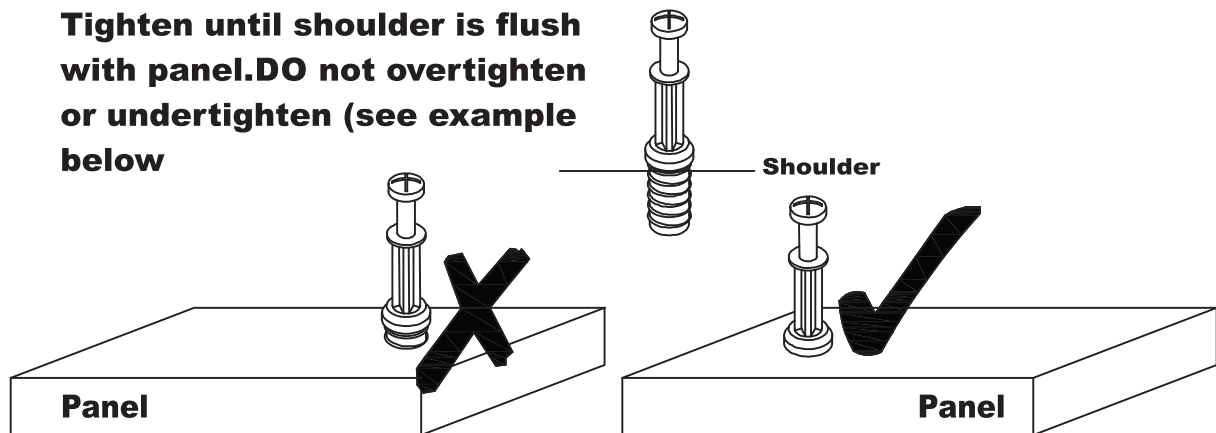
CAM-LOCK



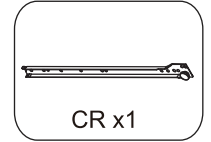
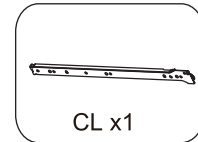
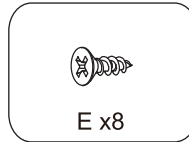
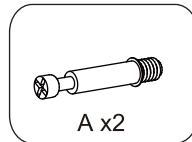
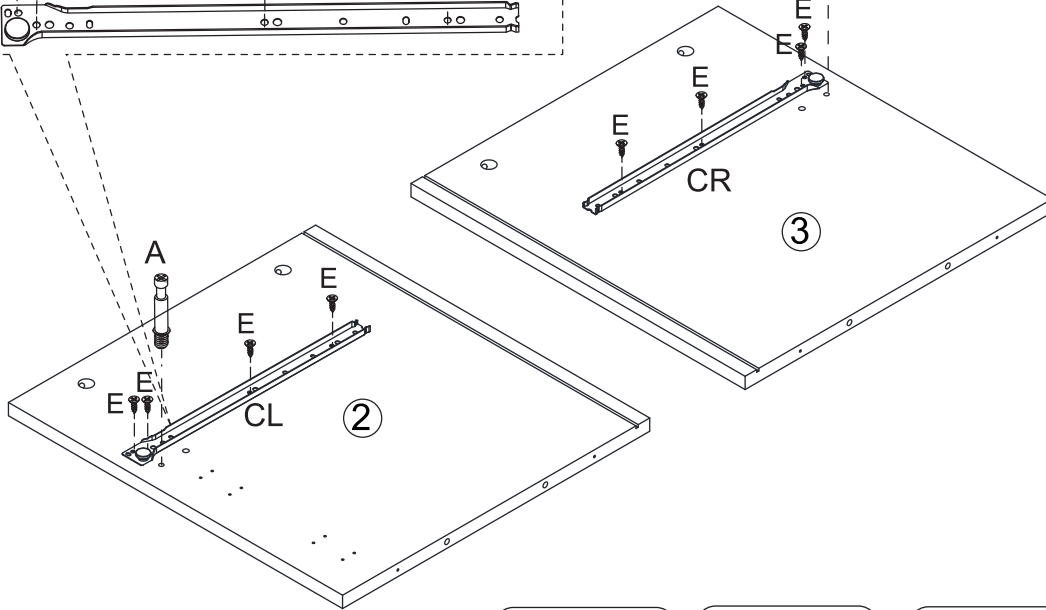
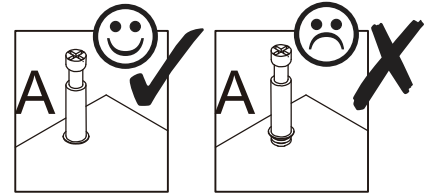
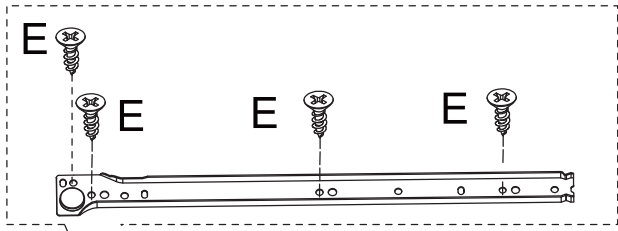
Quickfit head needs to be in centre

QUICKFIT

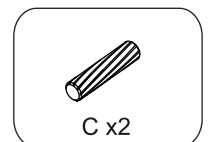
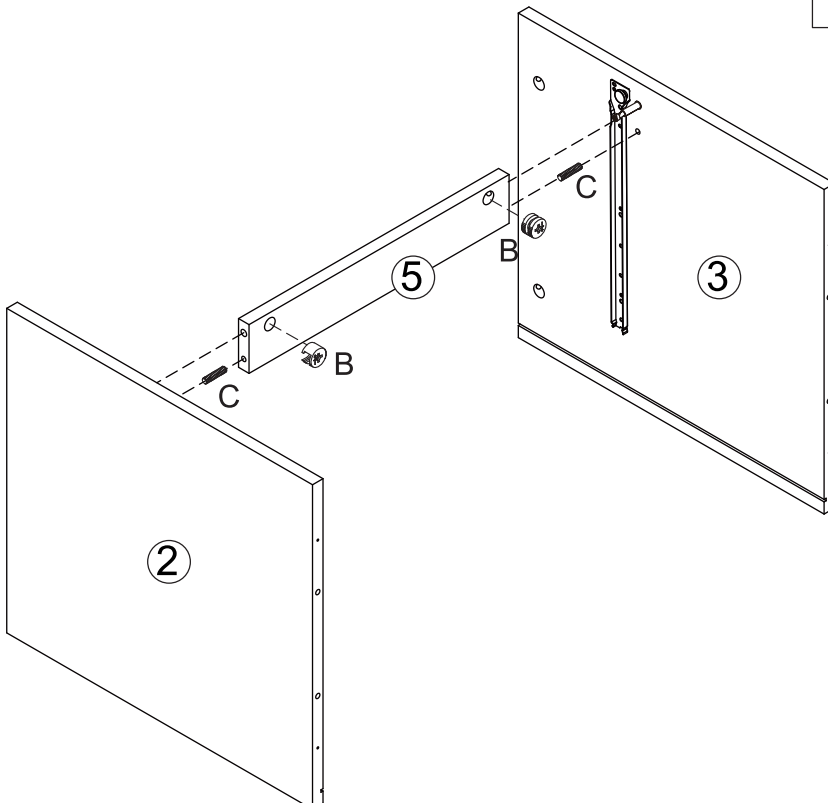
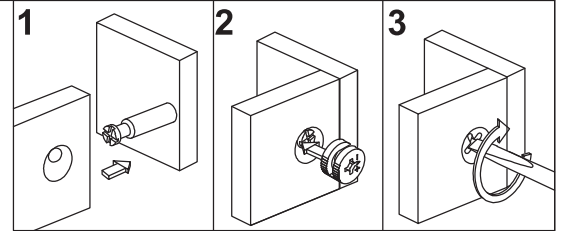
Tighten until shoulder is flush with panel. DO not overtighten or undertighten (see example below)



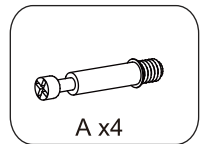
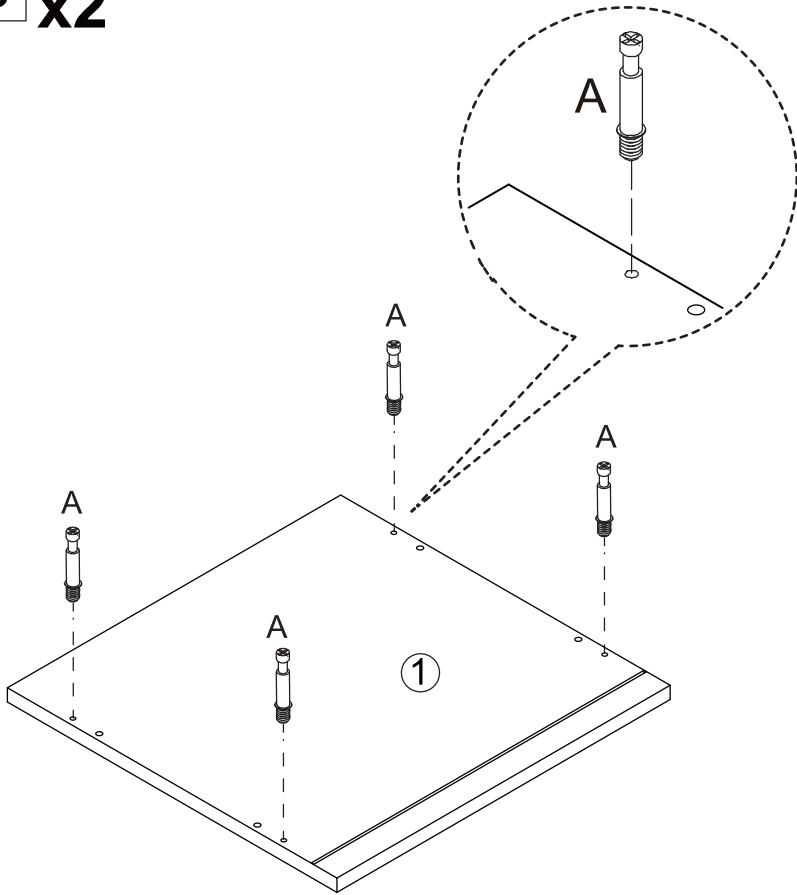
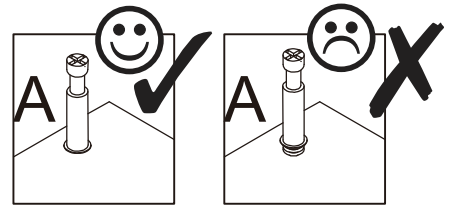
1 x2



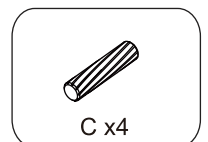
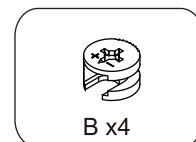
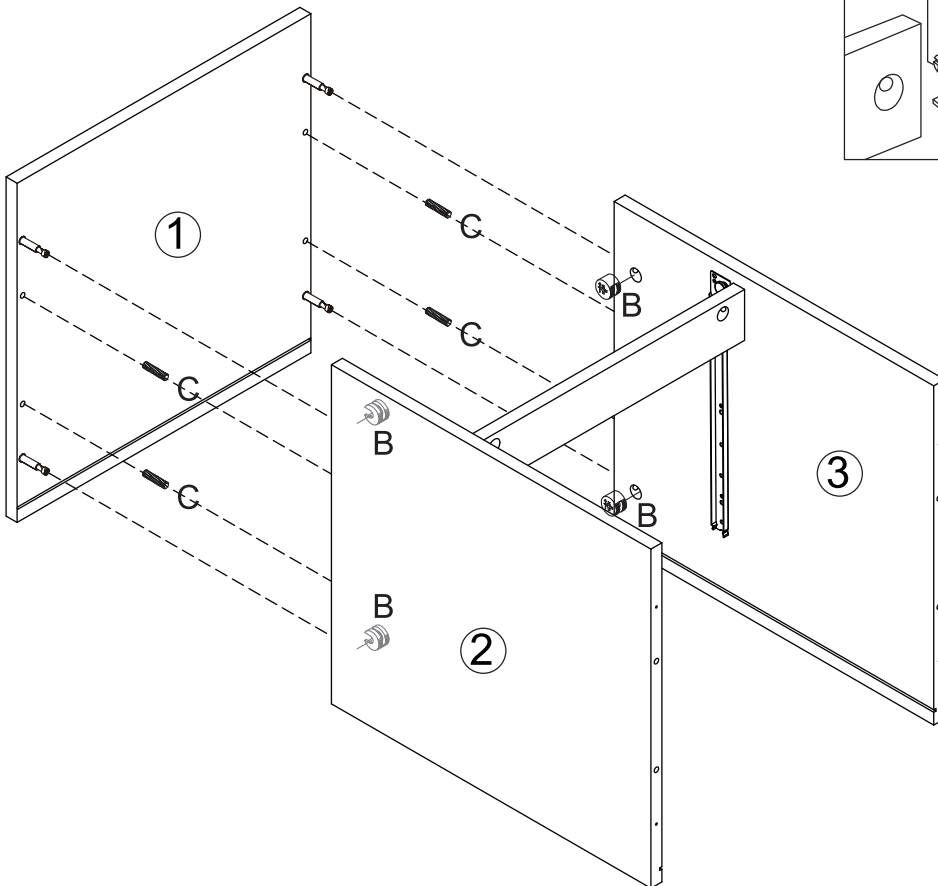
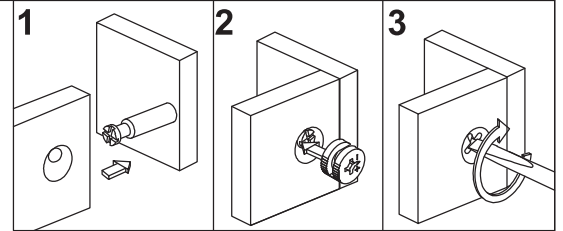
2 x2



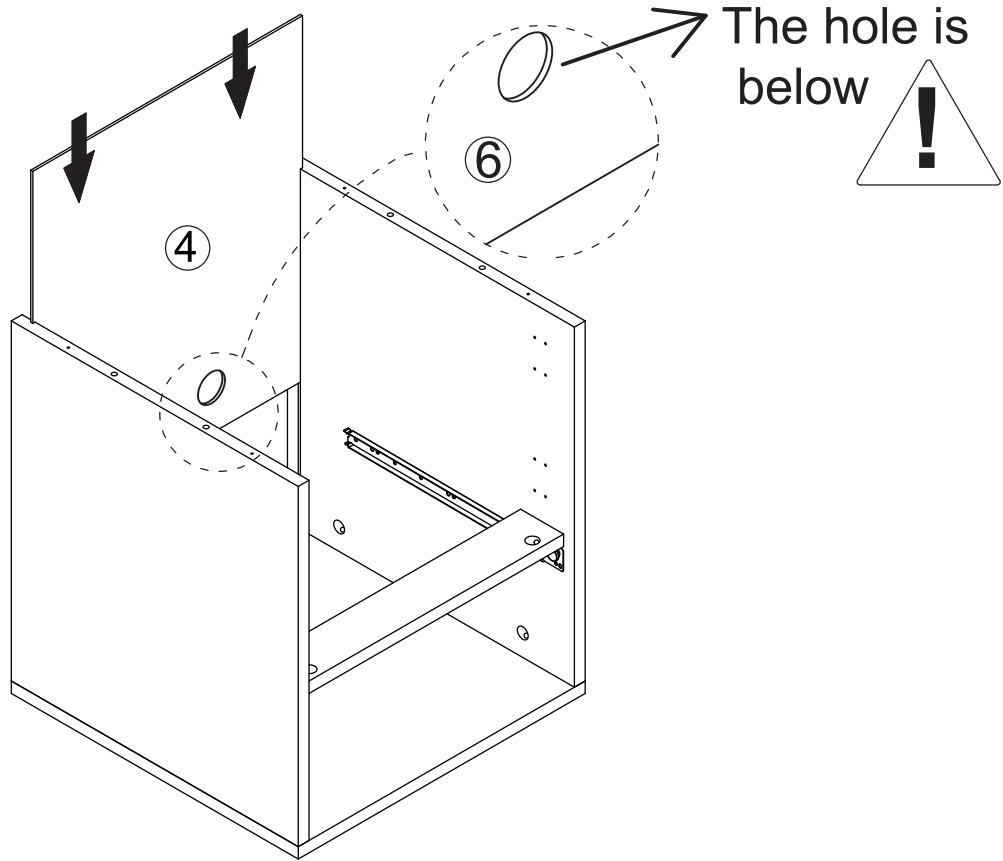
3 x2



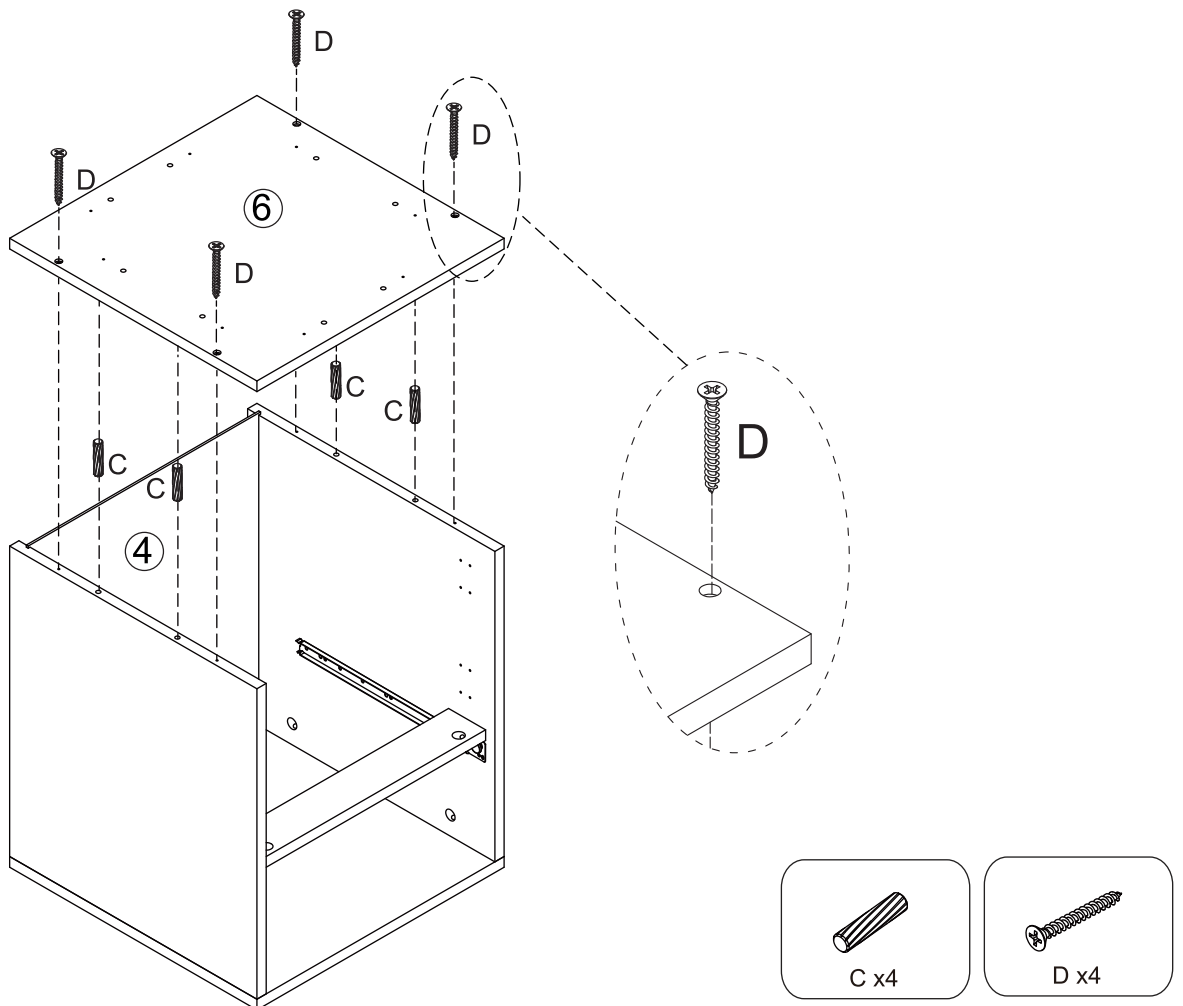
4 x2



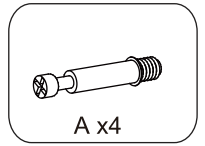
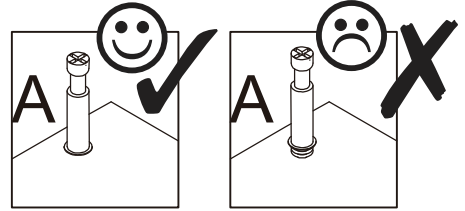
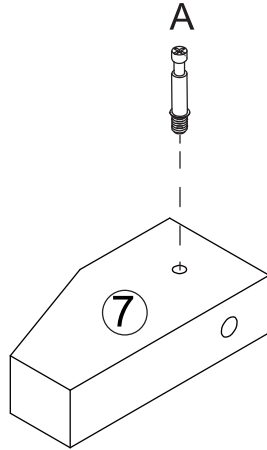
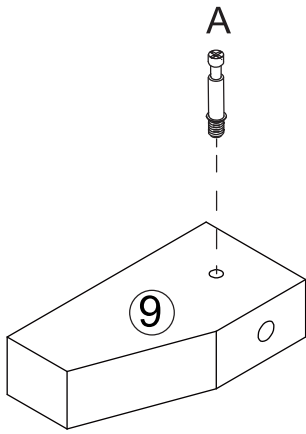
5 x2



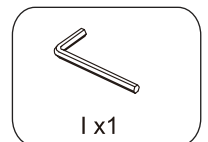
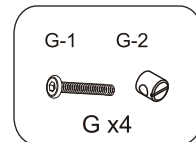
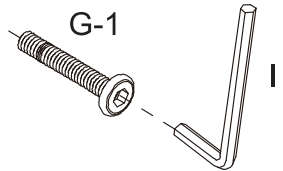
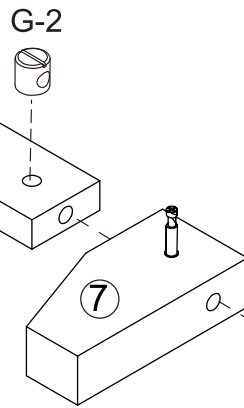
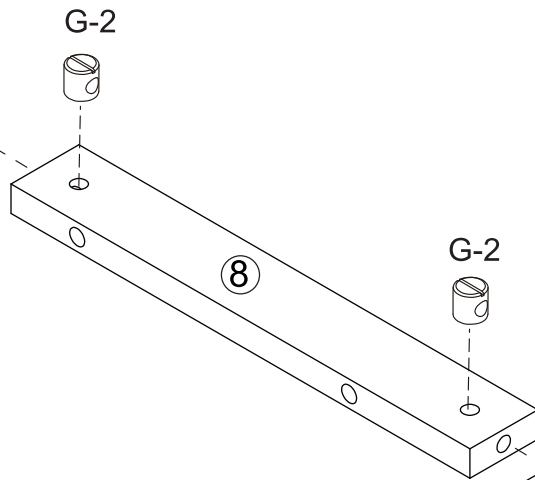
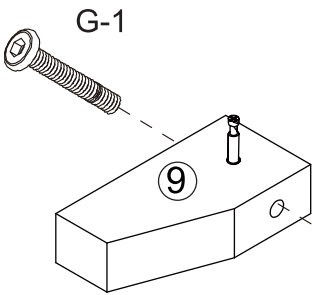
6 x2



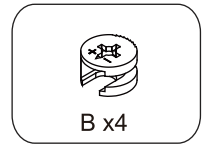
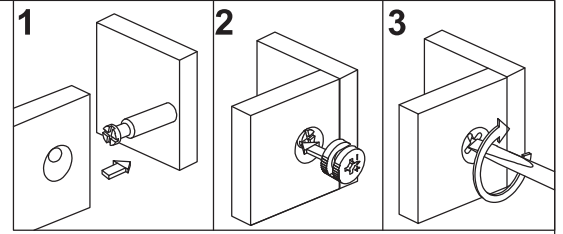
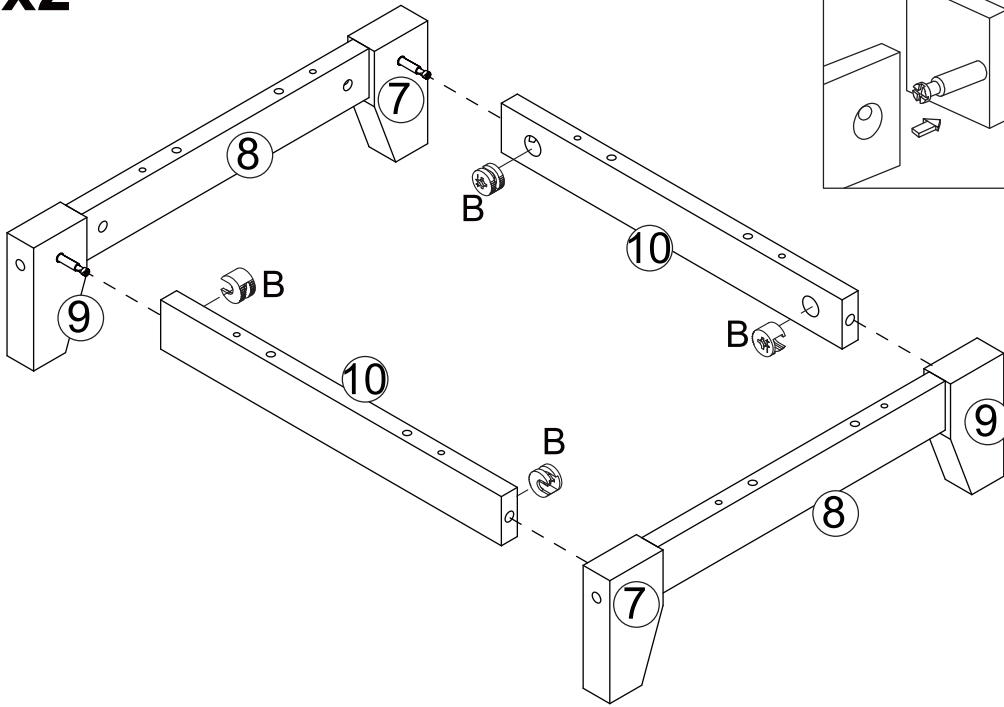
7 x4



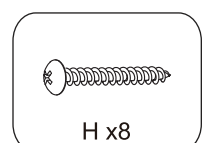
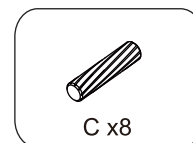
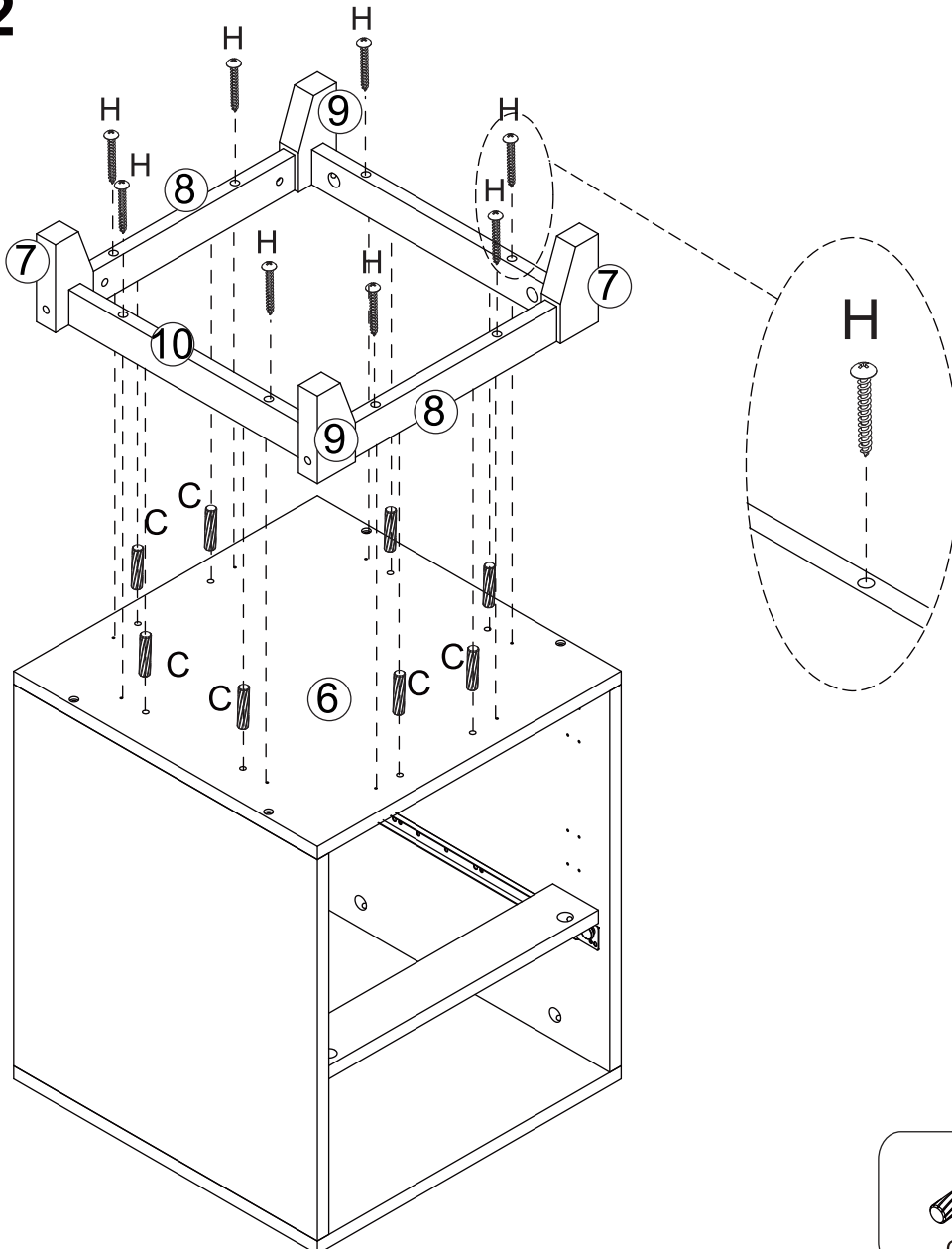
8 x4



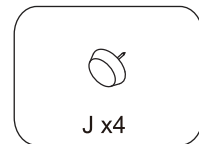
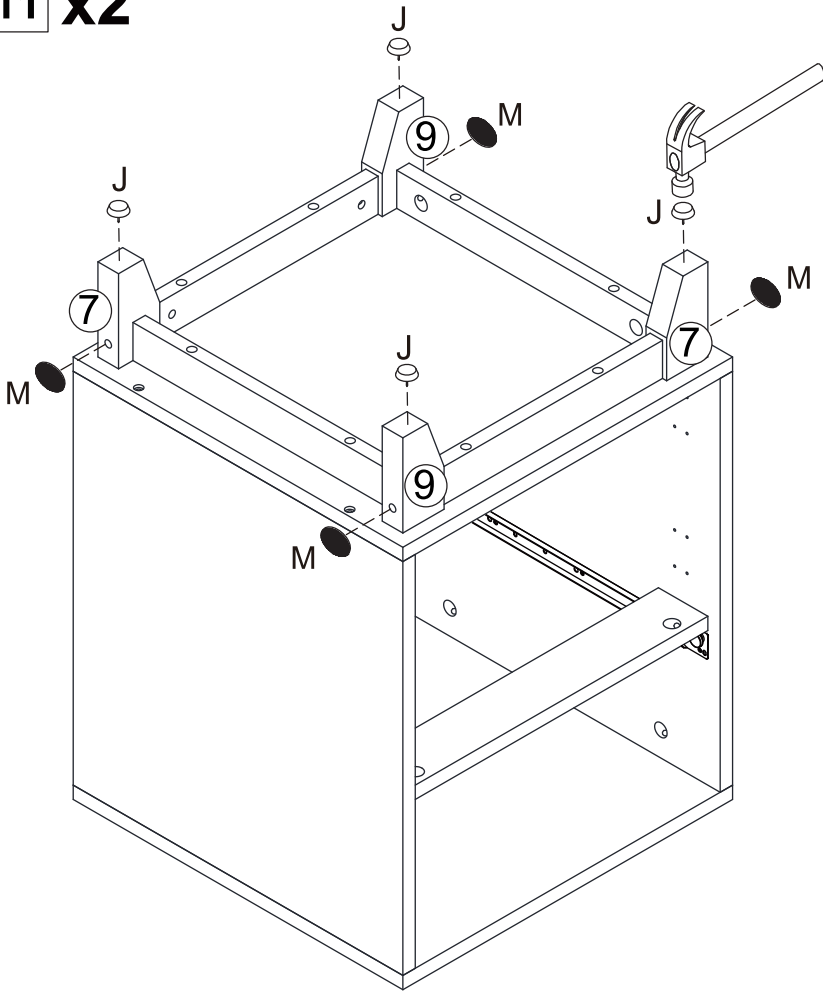
9 x2



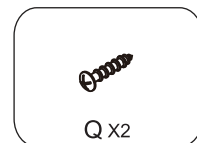
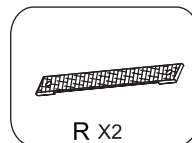
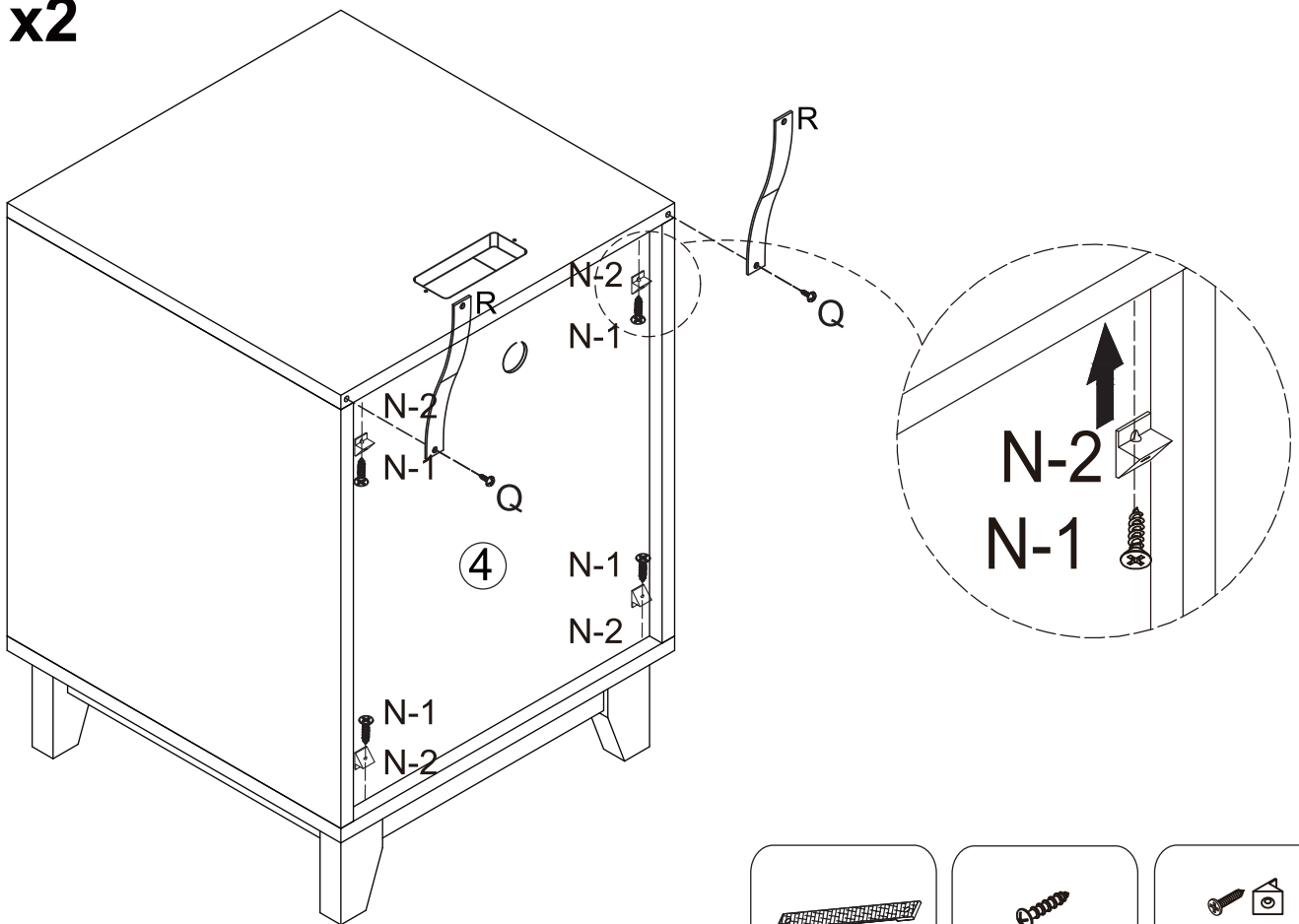
10 x2



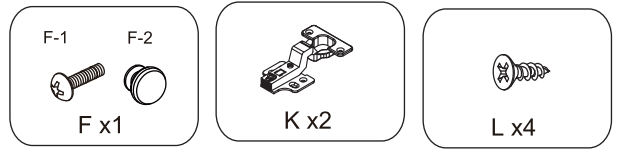
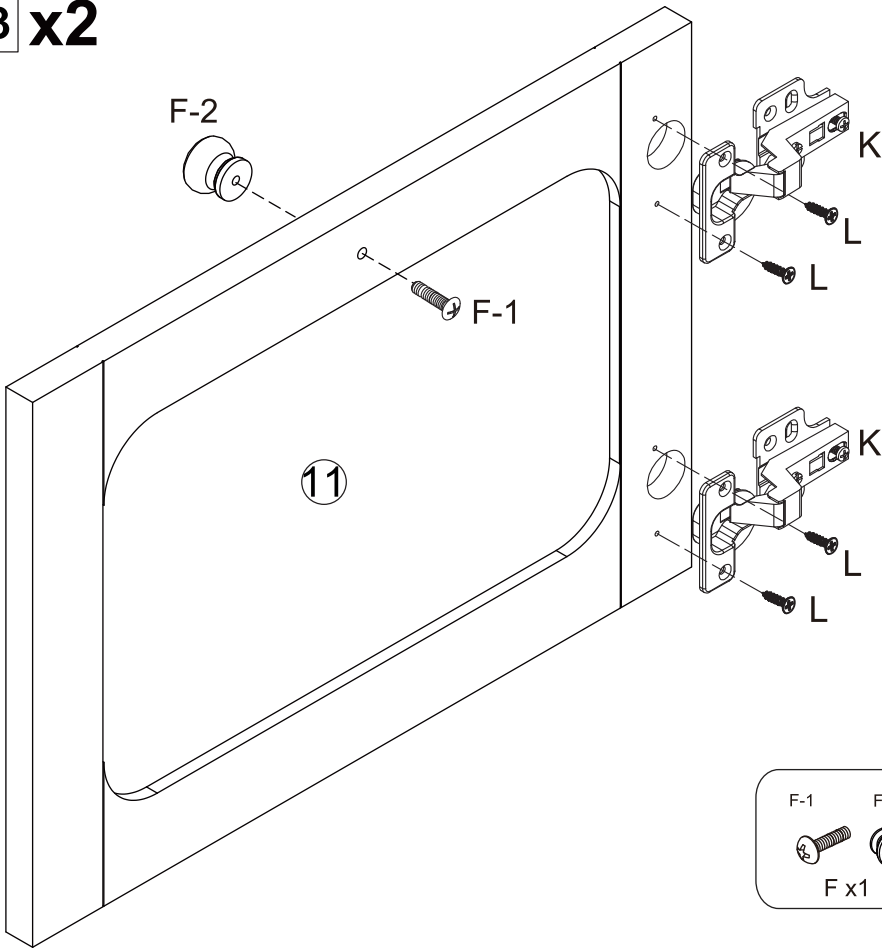
11 x2



12 x2



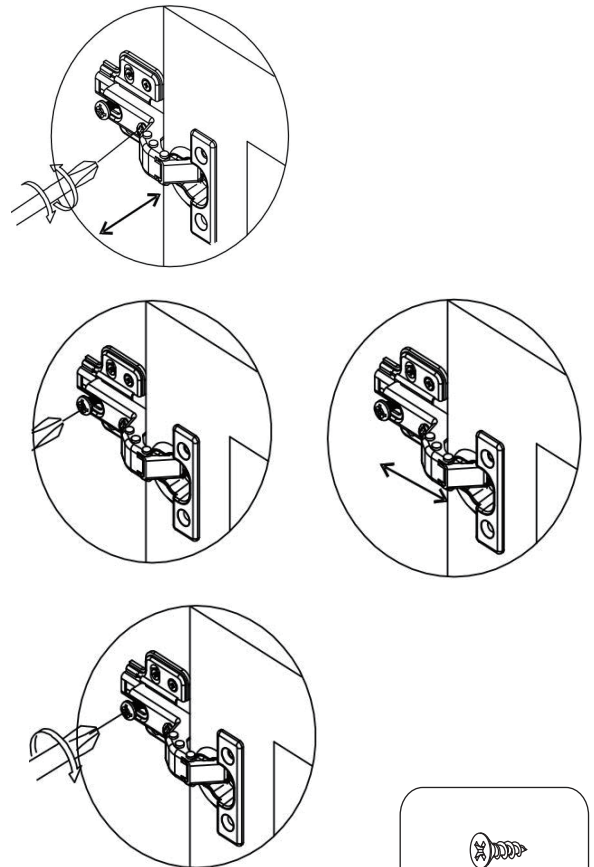
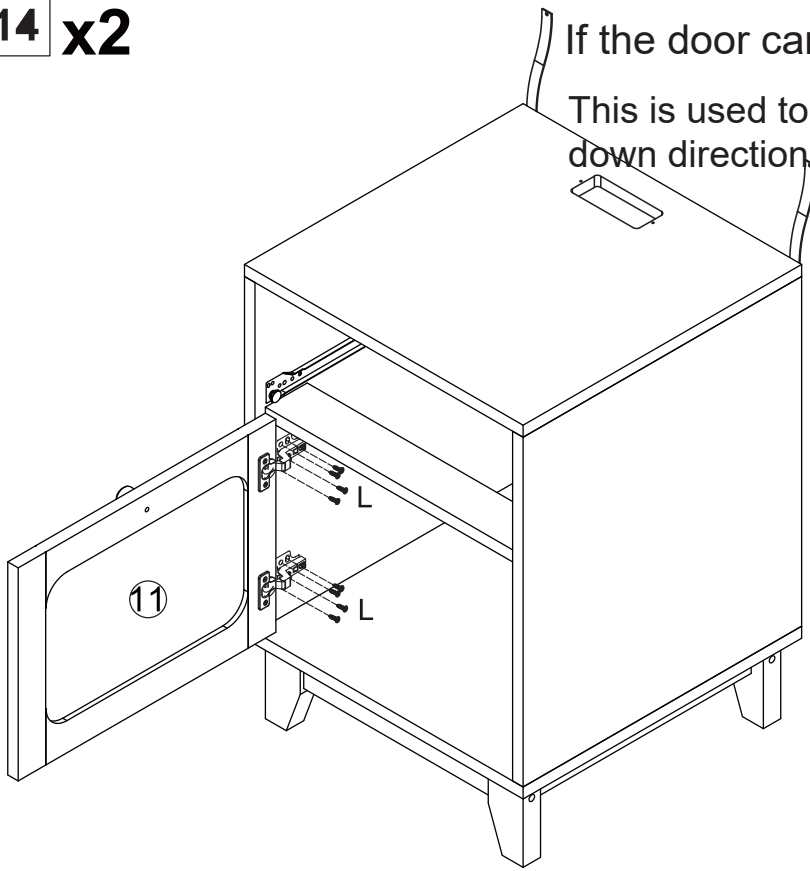
13 x2



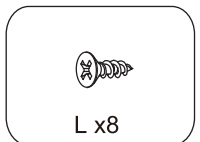
14 x2

If the door can't close, please adjust the hinges.

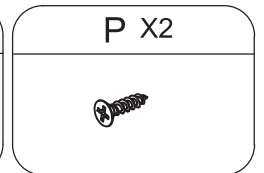
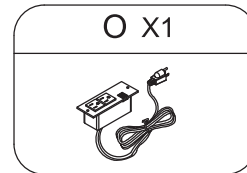
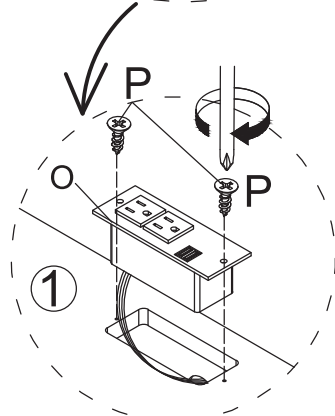
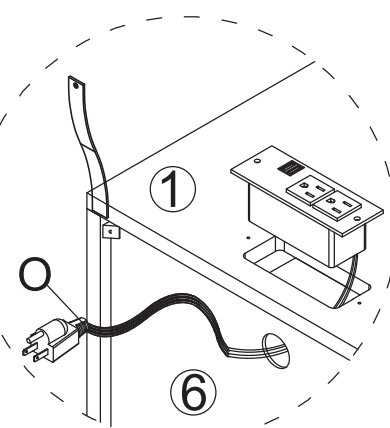
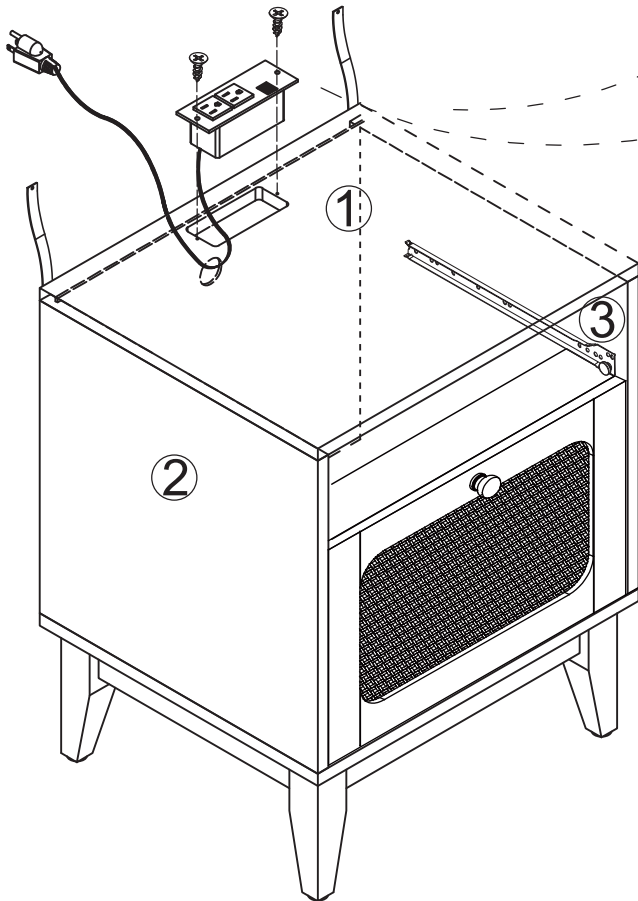
This is used to adjust the door panel in the up and down direction.



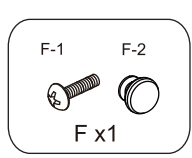
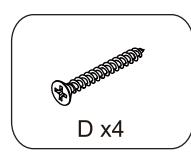
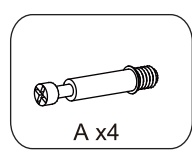
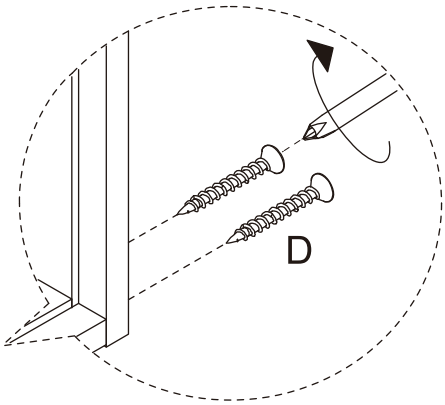
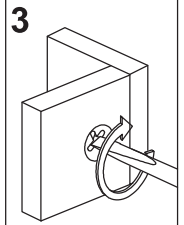
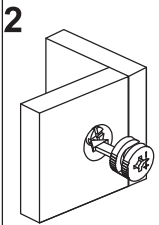
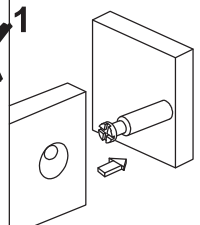
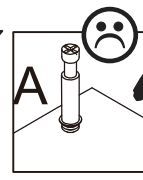
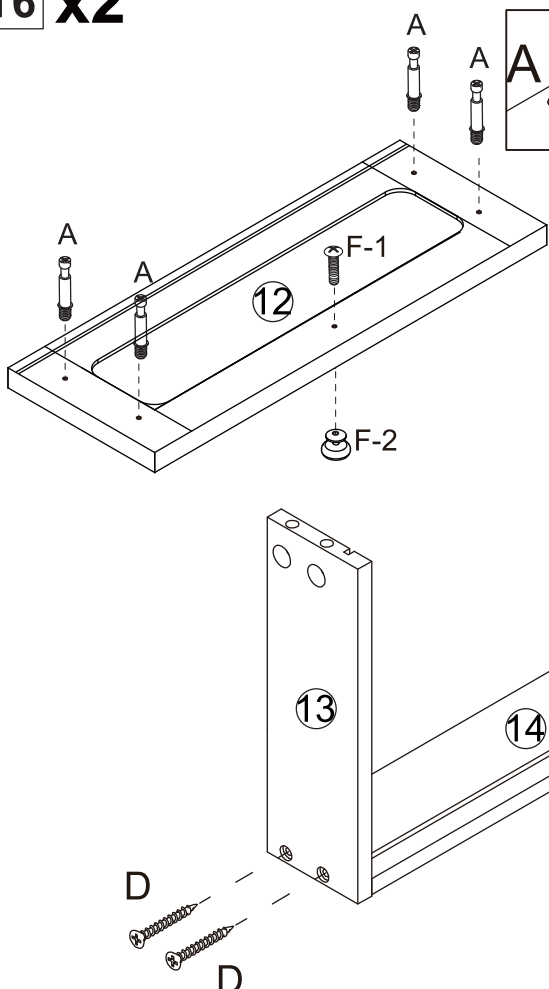
This is used to adjust the door panel in the front and back direction: Loosen the screw first, and then tighten screw after adjusting the door panel to the proper position.

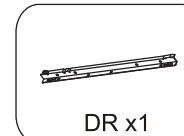
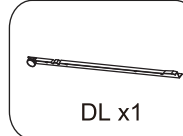
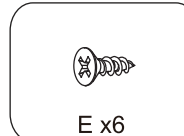
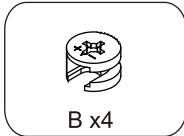
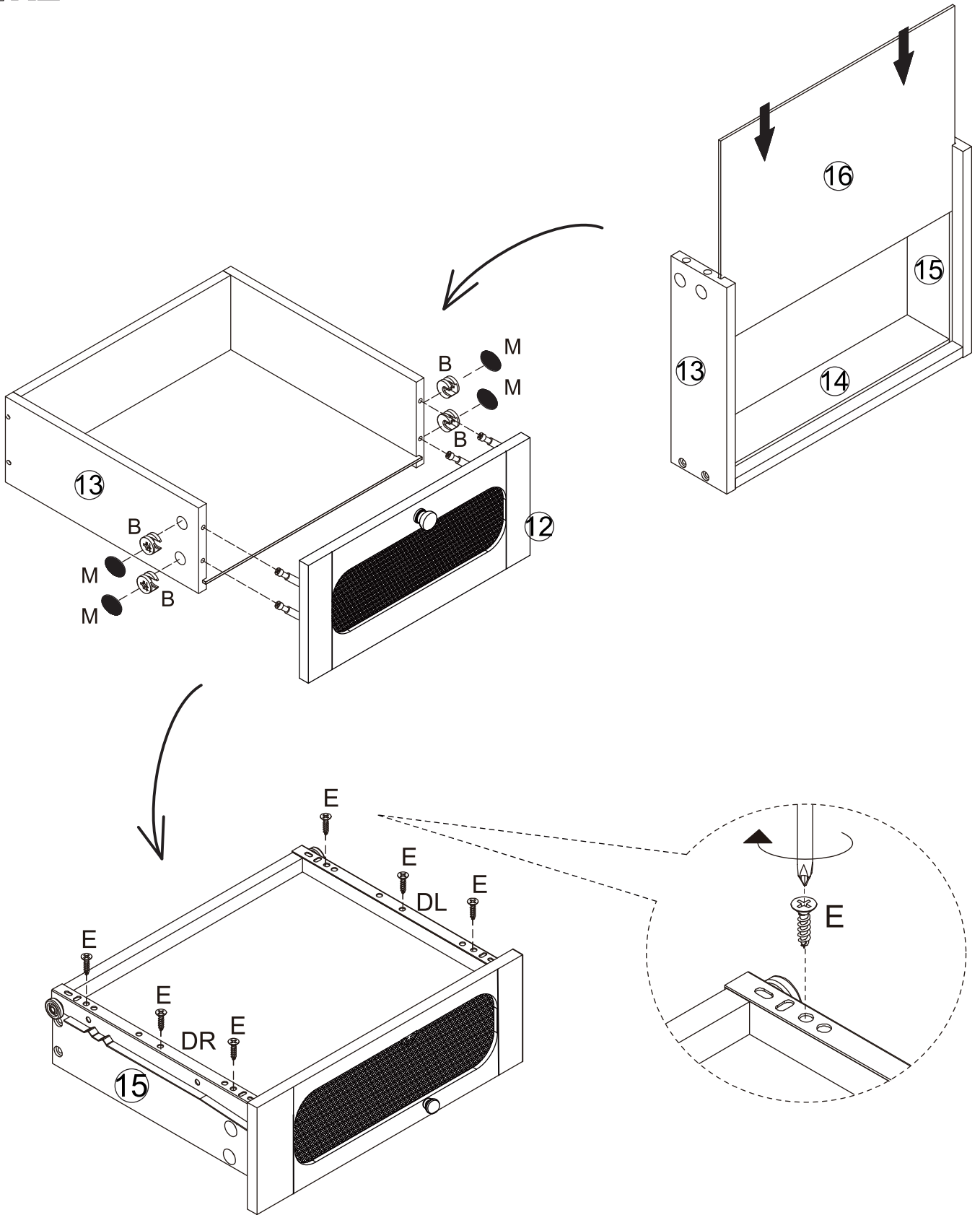


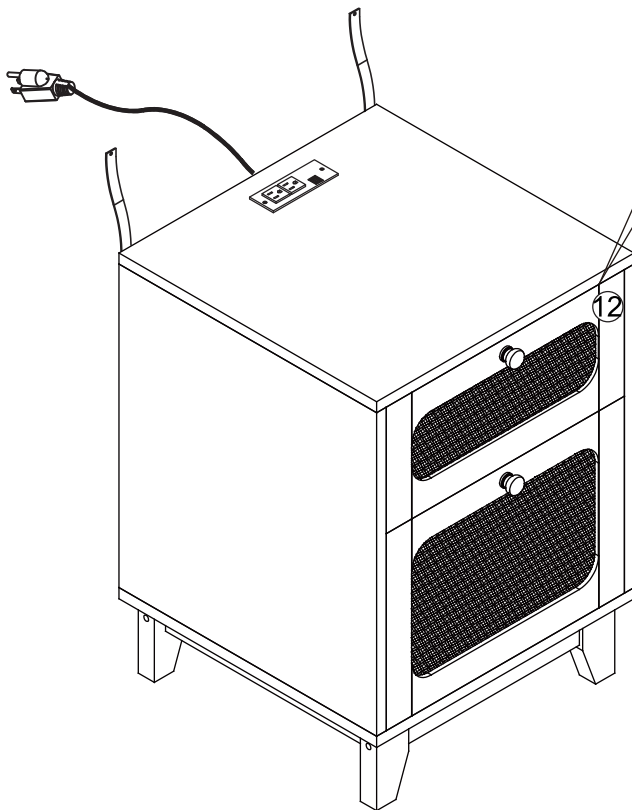
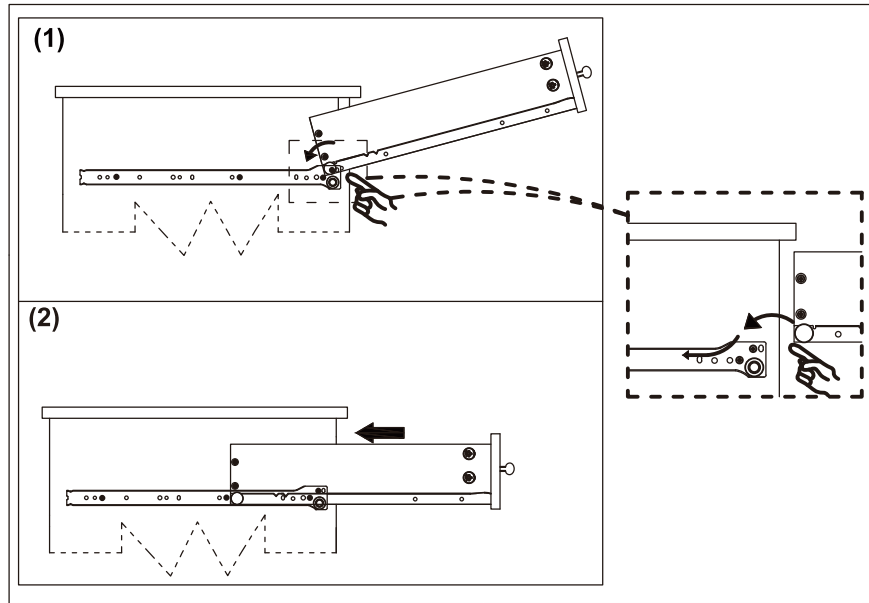
15 x2

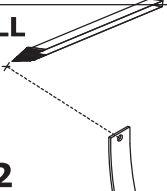
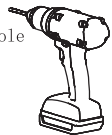
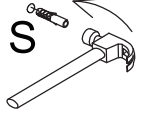


16 x2







<p>WALL</p>  <p>I x2</p>	<p>WALL + drilling hole Ø6x30mm</p>  <p>II x2</p>	<p>WALL</p>  <p>S x2</p>
---	--	---

