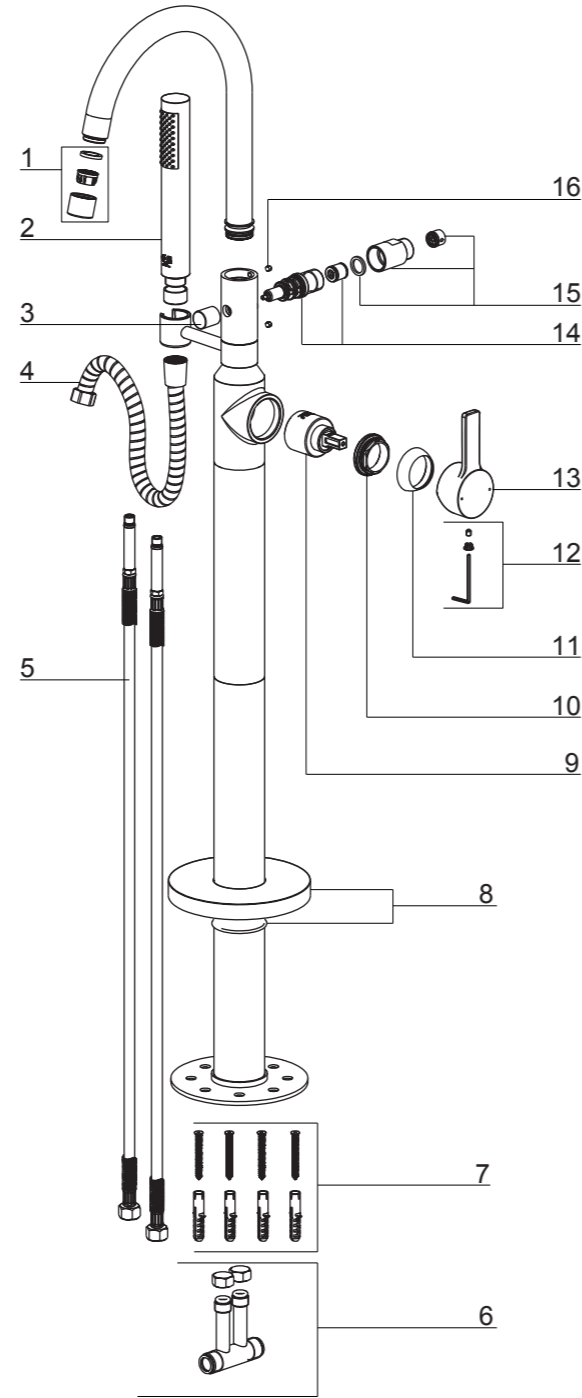


Replacement Parts / Pièces de rechange / Repuestos

NO.	Part No.	Description
1	9Q0889CP/AP/HA/HBW	Aerator Assembly
2	5F0M001900CP/AP/HA/HBW0A0	Hand Shower
3	9Q254800CP/AP/HA/HBW	Diverter Knob
4	51014603CP/AP/HA/HBW	Hand Shower Hose
5	9Q0892NC	Hot & Cold Supply
6	5Y0186100NT0	T-Connector Assembly
7	9Q0895NT	Mounting Screws & Anchors
8	9Q245800CP/AP/HA/HBW	Floor Mounting Flange and O Ring
9	9Q243700PL	Mixing Cartridge
10	9Q205200NT	Cartridge Nut
11	9Q1052CP/AP/HA/HBW	Finished Cartridge Dome
12	5Y0167400CP/AP/HA/HBW0	Handle Plug & Screw & Hex Wrench
13	5C0065401CP/AP/HA/HBW0A0	Handle Assembly
14	5Y0185900CP0	Diverter Cartridge
15	5Y0186000CP0	Connector Assembly
16	9Q0552NT	Set Screw



UF66200
UF66203
UF66205
UF66207

Limited Lifetime Warranty

Ultra Faucets warrants to the original purchaser that its products will be free from defects in workmanship and materials. All Ultra Faucets are provided with a life time limited warranty. This warranty does not cover any other labor or service charges associated with the removal, repair, or reinstallation of Ultra Faucets products. This express warranty does not apply to products that have been damaged as a result of misuse, abuse, negligence, accident, faulty installation or maintenance practices and/or used in any manner contrary to those recommended by the manufacturer.

Need help? Please call our toll-free customer service line at 1-888-658-5872 for additional assistance or service.

Besoin d'aide? Veuillez communiquer avec notre service à la clientèle au numéro gratuit 1-888-658-5872 pour tous renseignements ou services complémentaires.

¿Requiere asistencia? Llame a nuestro Servicio al Cliente, sin costo, al 1-888-658-5872 para asistencia adicional o servicio.

EURO Series

Floor Mount Tub Filler Faucet



Installation/Installation/Instalación

CUSTOMER SERVICE

TOLL-FREE 1-888-OK-ULTRA (658-5872)

UF66200 - Polished Chrome
UF66203 - PVD Brushed Nickel
UF66205 - Oil Rubbed Bronze
UF66207 - Matte Black



Tools You Will Need / Outils dont vous aurez besoin / Herramientas necesarias



Adjustable Wrench

Clé à molette

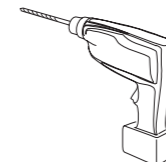
Llave ajustable



Pipe Tape

Ruban pour tuyau

Cinta selladora para rosca



Electric Drill

perceuse électrique

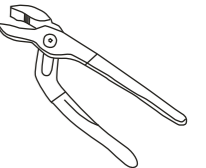
taladro eléctrico



Phillips Screwdriver

Tournevis cruciforme

Destornillador cruciforme



Groove join pliers

Pince multiprise

Pinzas ajustables

SAFETY TIPS

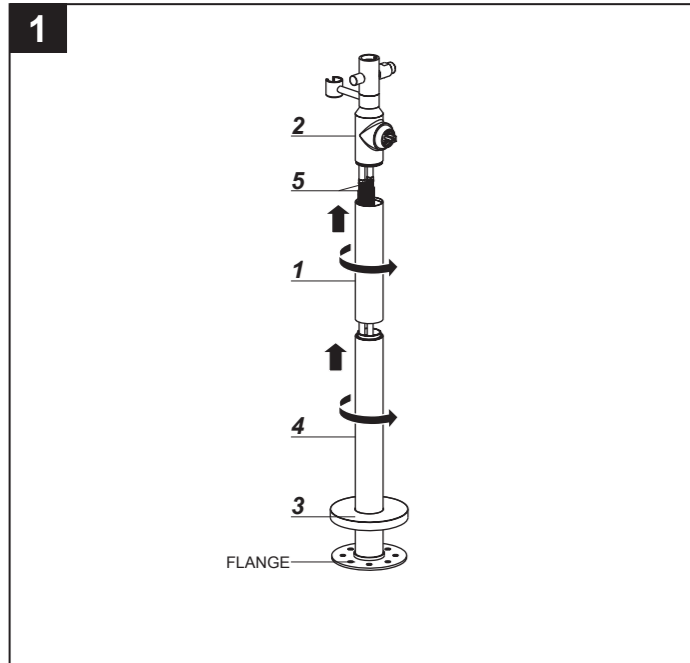
- If you use soldering for the installation of the faucet, the seats, cartridges and washers will have to be removed before using flame. Otherwise, warranty will be void on those parts.
- Cover your drain to avoid losing parts.
- 0°C~55°C.

CONSIGNES DE SÉCURITÉ

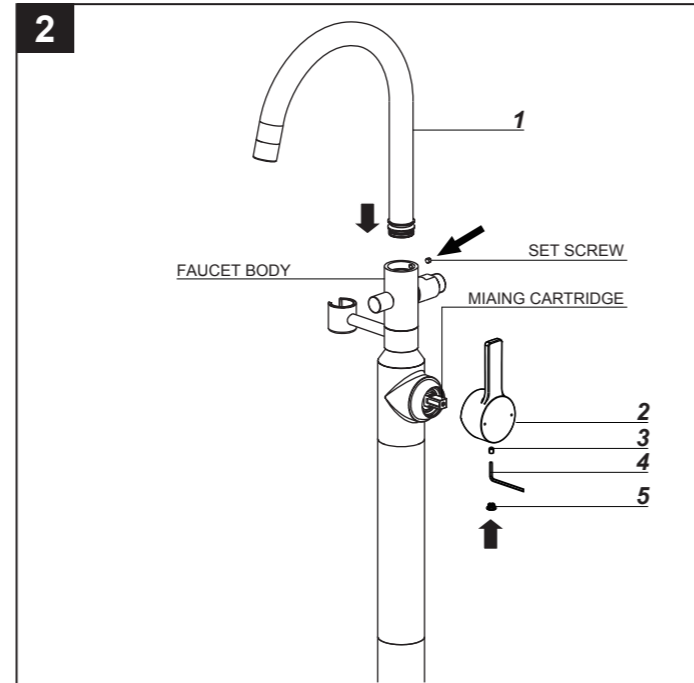
- Si vous posez le robinet par brasage, il est essentiel de retirer les sièges, les cartouches et les rondelles avant d'appliquer la flamme, faute de quoi la garantie sur ces pièces sera annulée.
- Couvrez le drain pour ne pas perdre des pièces.
- 0°C~55°C.

CONSEJOS DE SEGURIDAD

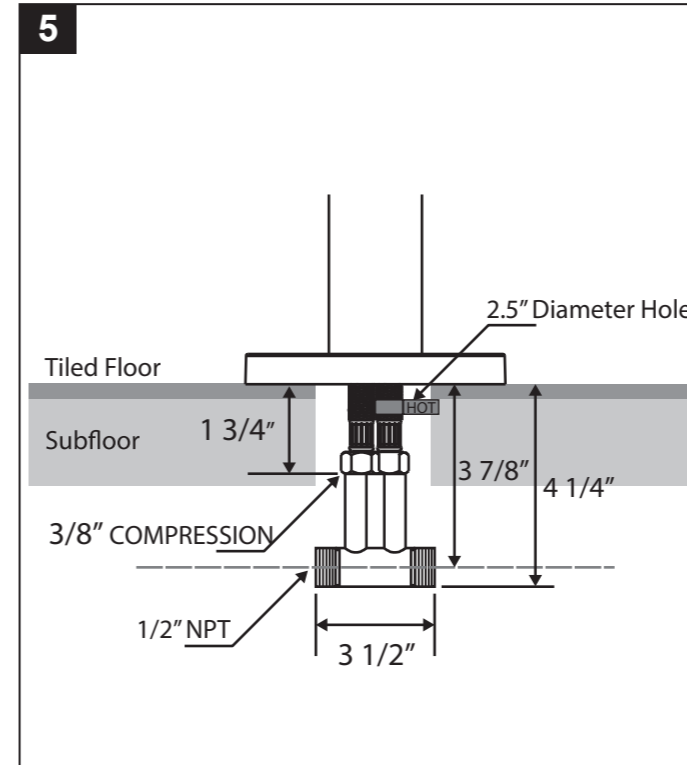
- En el caso de utilizar soldadura para instalar el grifo, remueva los asientos, cartuchos y arandelas antes de usar la llama. De lo contrario, se anulará la garantía para esos componentes.
- Tape la boca del desagüe para prevenir la pérdida de piezas pequeñas.
- 0°C~55°C.



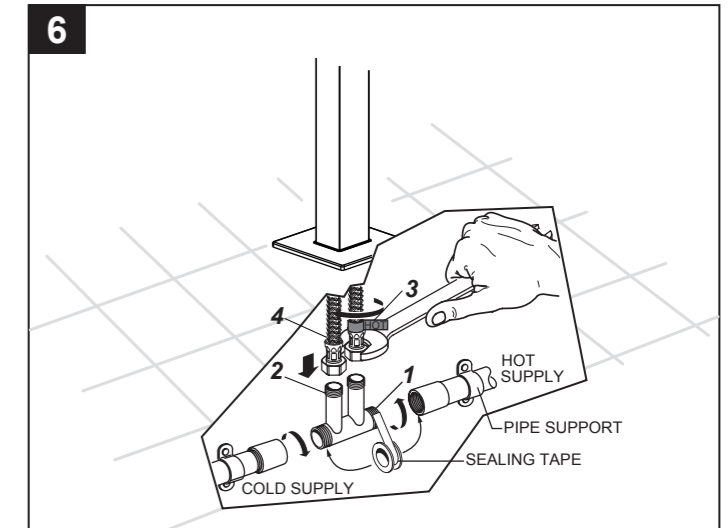
Insert RISER TUBE (1) without the flange over Hot & Cold Supply (5). Thread the RISER TUBE (1) into base of the VALVE BODY (2) and tighten fully. Slide the FLOOR MOUNTING FLANGE (3) onto the RISER TUBE (4) with the flange. Thread RISER TUBE (4) into the bottom of RISER TUBE (2) and fully tighten.



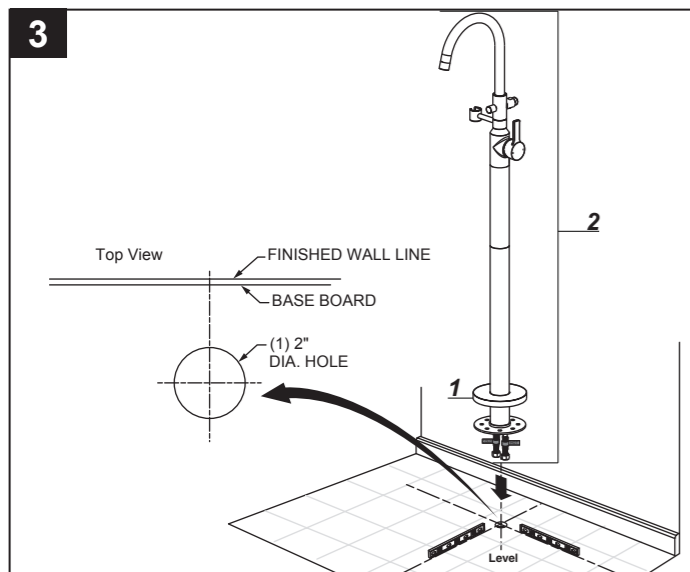
Install SPOUT (1) into faucet body, tighten SET SCREW with HEX WRENCH (4) supplied. Insert HANDLE ASSEMBLY (2) on MAIN CARTRIDGE, tighten SET SCREW (3) with HEX WRENCH (4) supplied. Install HANDLE PLUG (5) into HANDLE ASSEMBLY (2).



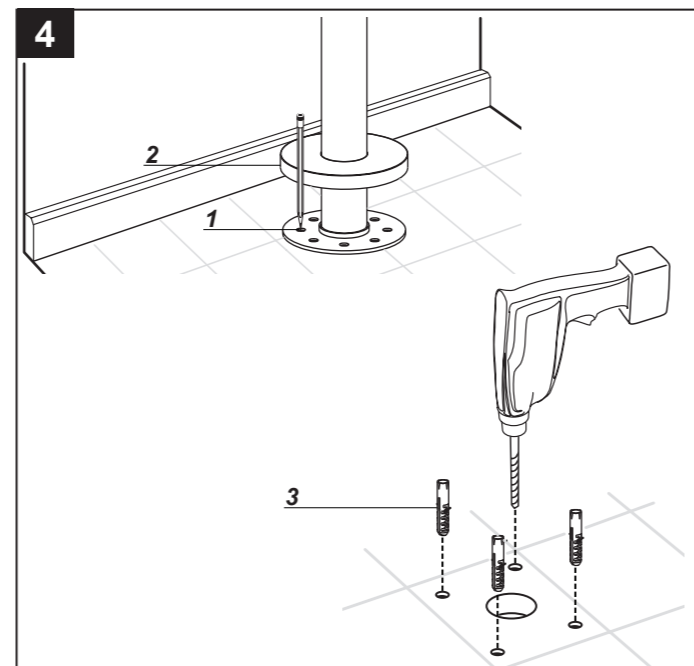
Make sure HOT and COLD SUPPLIES protrude through the 2.5" diameter hole in the floor enough to connect the supplies to T-CONNECTOR.



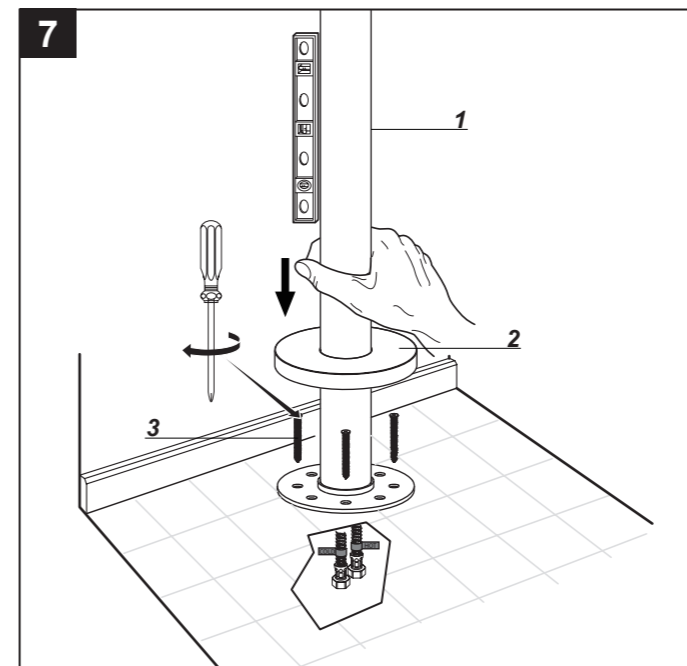
1. Apply Teflon Tape to the threads of the T-connector (1) and connect the T-connector to hot and cold supply pipes and tighten fully.
2. From below the floor, connect the HOT WATER SUPPLY HOSE (3) (marked with red) to the Hot water supply from the "T" (2) and the COLD WATER SUPPLY HOSE (4) to Cold water supply from the "T" (2). Use an adjustable wrench to tighten connections. Do not over tighten.
3. Secure piping below floor to floor joist.



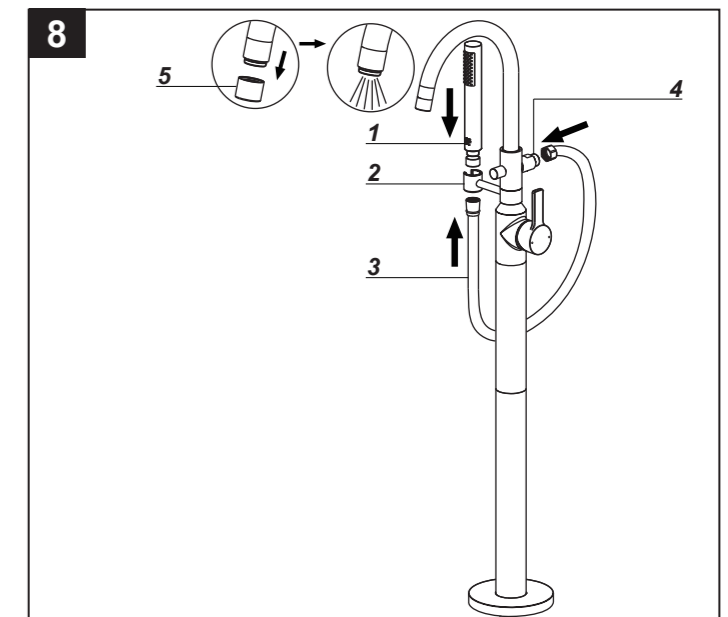
Determine the distance from the finished wall to the center of the floor where the water supply holes are and mark a centerline. Note: Check that floor is level in both directions.
Drill a 2" (51mm) diameter hole for the 1/2" Hot and Cold supplies.
Place FLOOR MOUNTING FLANGE (1) over the floor supply hole. Align and center the TUB FILLER ASSEMBLY (2).



With the TUB FILLER ASSEMBLY (2) aligned and in desired position, mark on the floor the four mounting holes for the MOUNTING FLANGE (1).
Drill four 1/4" (6mm) diameter holes 1-3/4" (44mm) deep.
Install the four supplied MOUNTING ANCHORS (3) and flush to the top of the finished floor.



Hold the TUB FILLER ASSEMBLY (1) in place and install the four MOUNTING SCREWS (3). Check alignment and level before fully tightening the MOUNTING SCREWS (3). After tightening the MOUNTING SCREWS (3) slide FLOOR MOUNTING FLANGE (2) down to floor.



Install WASHERS on both ends of the HAND SHOWER HOSE (3) and connect the one end with the hex nut to the CONNECTOR ASSEMBLY (4) using an adjustable wrench. Hand tighten the connection to the HAND SHOWER (1). Remove AERATOR (5) and flush out water for a few minutes and place AERATOR (5) back. Note: When not in use, the HAND SHOWER (1) should be seated in the HOLDER (2).