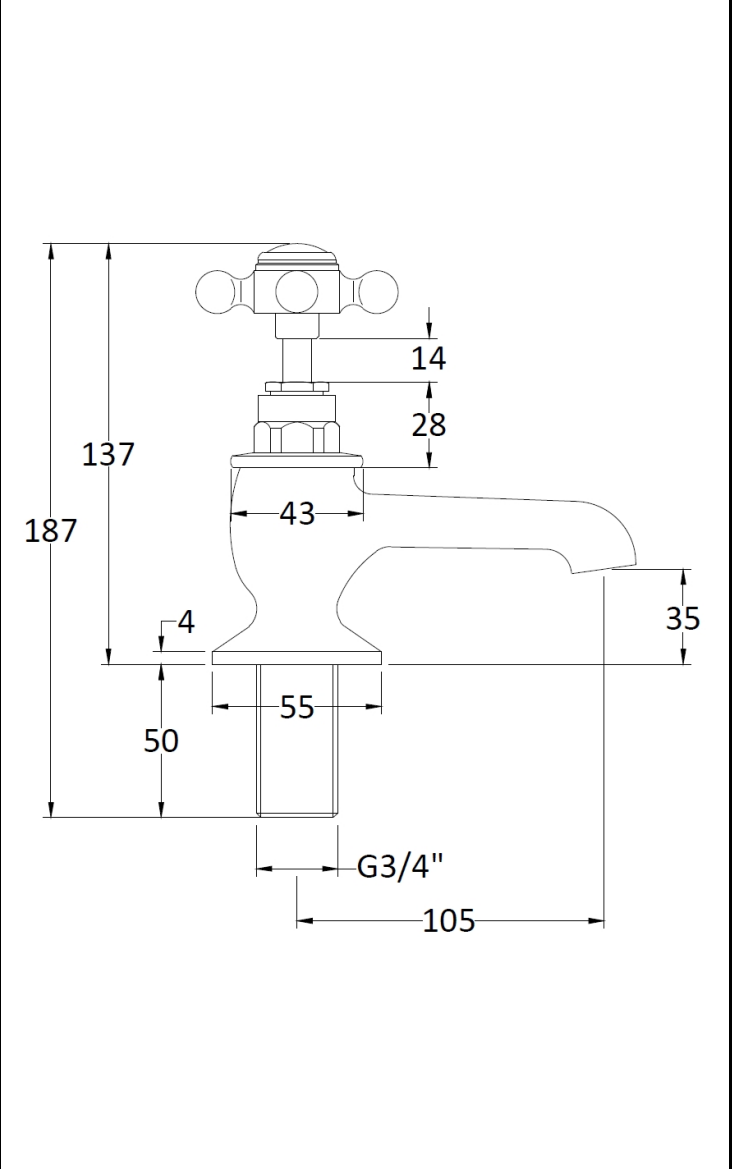


CUSTOMER DATA SHEET - BRASSWARE

DESCRIPTION: Bath Taps



PRODUCT DIMENSIONS				
Height (mm)	Width (mm)	Depth (mm)	Length (mm)	Nett Wgt Kg
				1.7

PACKAGING DIMENSIONS			
Height (mm)	Width (mm)	Depth (mm)	Gross Wgt Kg
55	160	260	1.9

PACKAGING DATA			
Box Colour		Label Colour	
Box Qty		Label Qty	
Label Size	x		

OUTER BOX DIMENSIONS (If Applicable)				
Height (mm)	Width (mm)	Depth (mm)	Length (mm)	Gross Wgt Kg

PRODUCT DETAILS	
Country of Origin	United Kingdom
Fitting Instruction	Yes
Product Material	
Control Type	
Waste Included	
WRAS Approval	Approval No.
Operating Pressure (bar)	
Valve/Cartridge Type	

Colour/Finish	
Mount Type	
Waste Type	
Flow Rates (Litres Per Min)	0.1 bar 0.5 bar 1 bar 2 bar 3 bar
Pipe Size	
Pipe Centres	