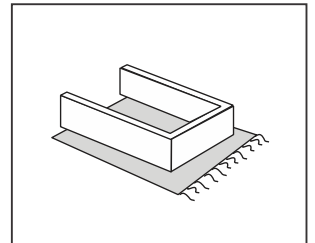
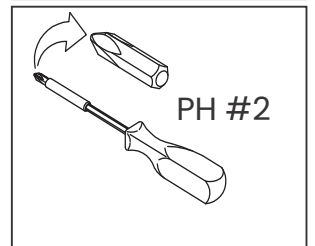
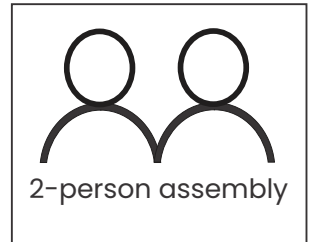
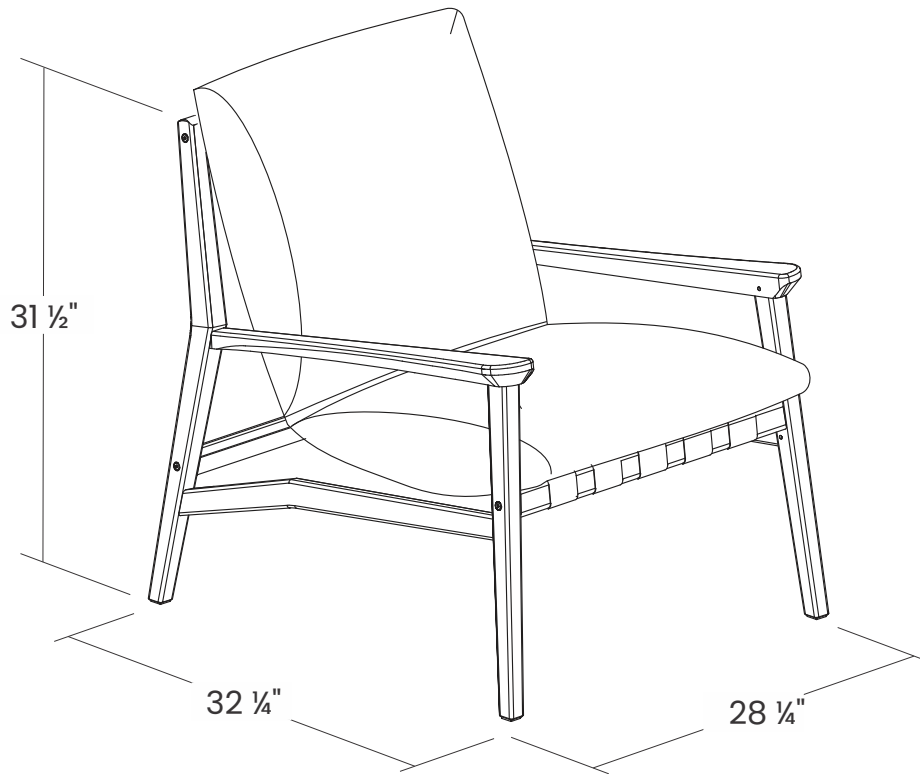


# Assembly Instructions



Model #	Finish
BMC3005	Brushed Walnut

Thank you for choosing Grain Wood Furniture, it is an honor to be in your home!  
If you have any questions, feedback, or need replacement parts please contact us at:  
[grainwoodfurniture.com/help](http://grainwoodfurniture.com/help) or [support@grainwoodfurniture.com](mailto:support@grainwoodfurniture.com)

**Mid Century  
Lounge Chair**

**GrainWood**  
FURNITURE.COM

## PLEASE READ BELOW BEFORE BEGINNING ASSEMBLY

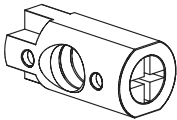
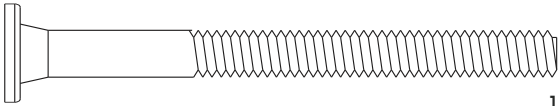

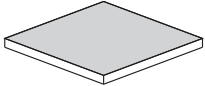
- Enlist help from a friend or family member as most items require two people for proper assembly.
- Choose a spacious, open area near where the piece will be located once assembled. It is easier to move parts than to relocate the furniture after it is fully assembled.
- Do not throw away packaging material until assembly is complete.
- Assemble the item on a soft surface, such as cardboard or an old blanket in order to protect the finish from possible dents or scratches.
- Lay out the parts in order and count them twice. In case any parts are missing or damaged, document the problem with pictures and contact support so we can make it right.
- Solid wood furniture may present imperfections such as wood knots, minor splits or cracks which are a natural aspect of the material. Whenever stability of the furniture is not compromised, we recommend customers perform cosmetic touch-ups with wax crayon fillers sold at all major hardware stores.
- It is best to use the tools provided in the box, such as a hex key, because they may be specially sized for the piece of furniture.
- We do not recommend the use of power drills as they can damage your furniture if not used correctly.
- Use a carpenter's square or hardcover book to check angles when assembling drawers and doors. If they are not at 90 degrees, they will not close properly.
- If you have any problems, we are here to help. Just go to [grainwoodfurniture.com/help](https://grainwoodfurniture.com/help).
- See [grainwoodfurniture.com/care-guide](https://grainwoodfurniture.com/care-guide) for suggestions that will help your furniture last for years.



[grainwoodfurniture.com/assembly-troubleshooting](https://grainwoodfurniture.com/assembly-troubleshooting)

**Enjoy your 100% solid wood furniture!**

# HARDWARE LIST

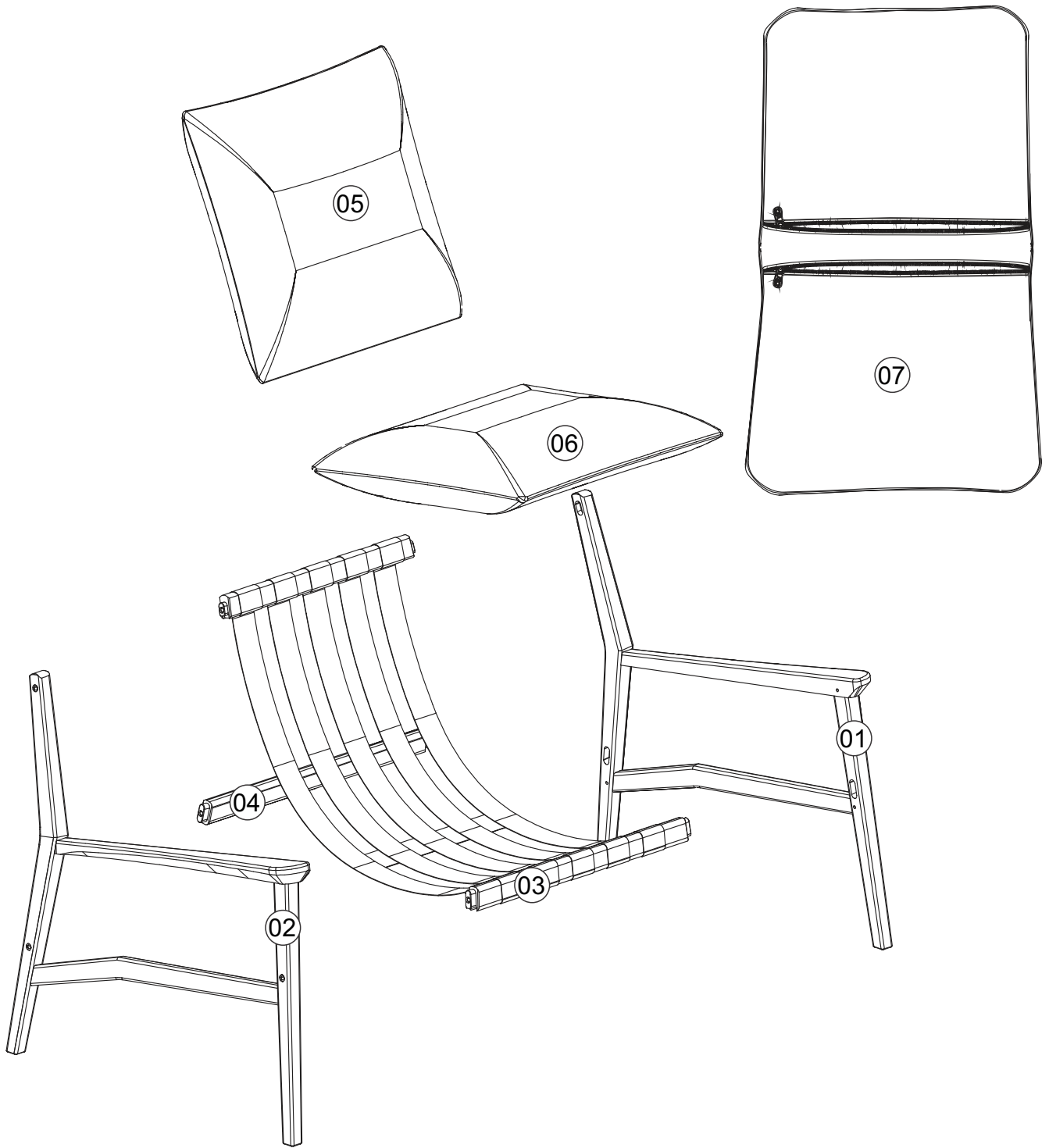
B48	 1/4"x20 Ø10	4 + 1
B49	 1/4"x70 Ø13	6 + 1
G3		1
G21	 20x20x1,5	4

## **ATTENTION**

Before starting assembly  
please verify the hardware  
set is complete.

For missing hardware please  
contact us at  
[grainwoodfurniture.com/help](http://grainwoodfurniture.com/help)

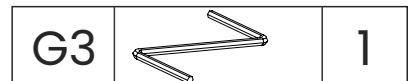
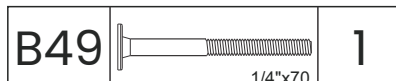
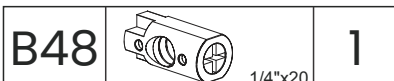
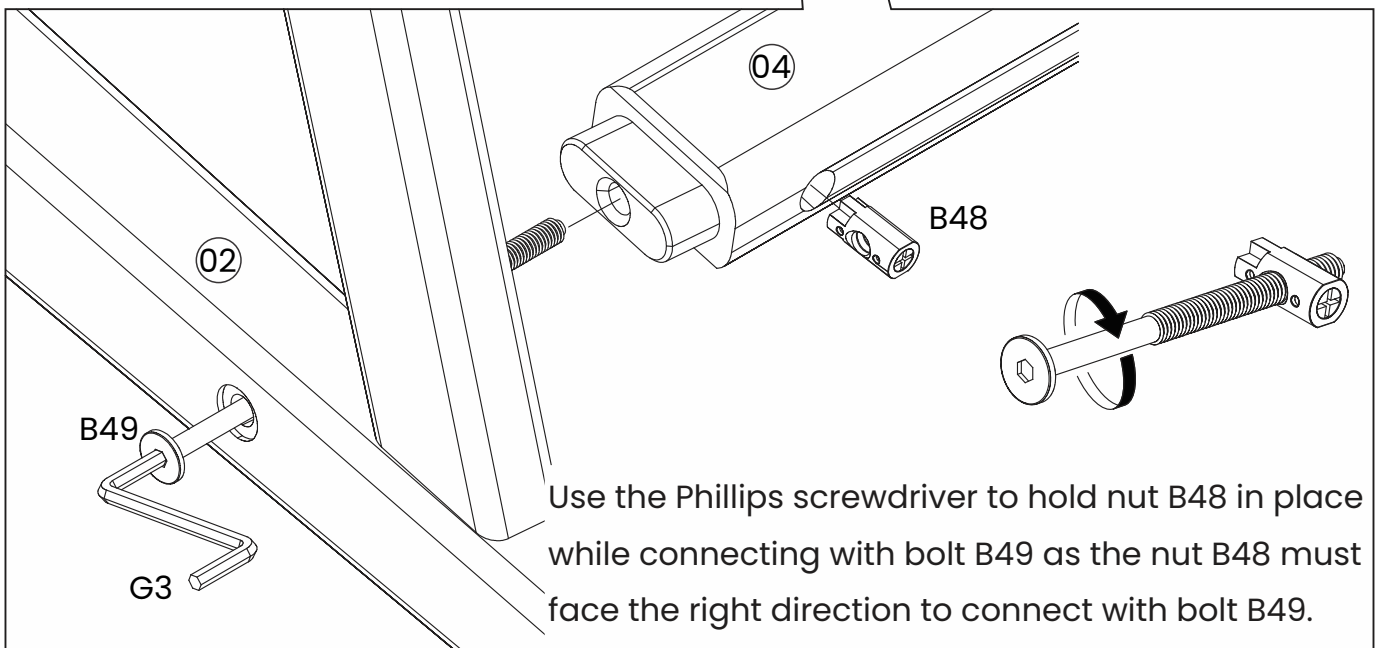
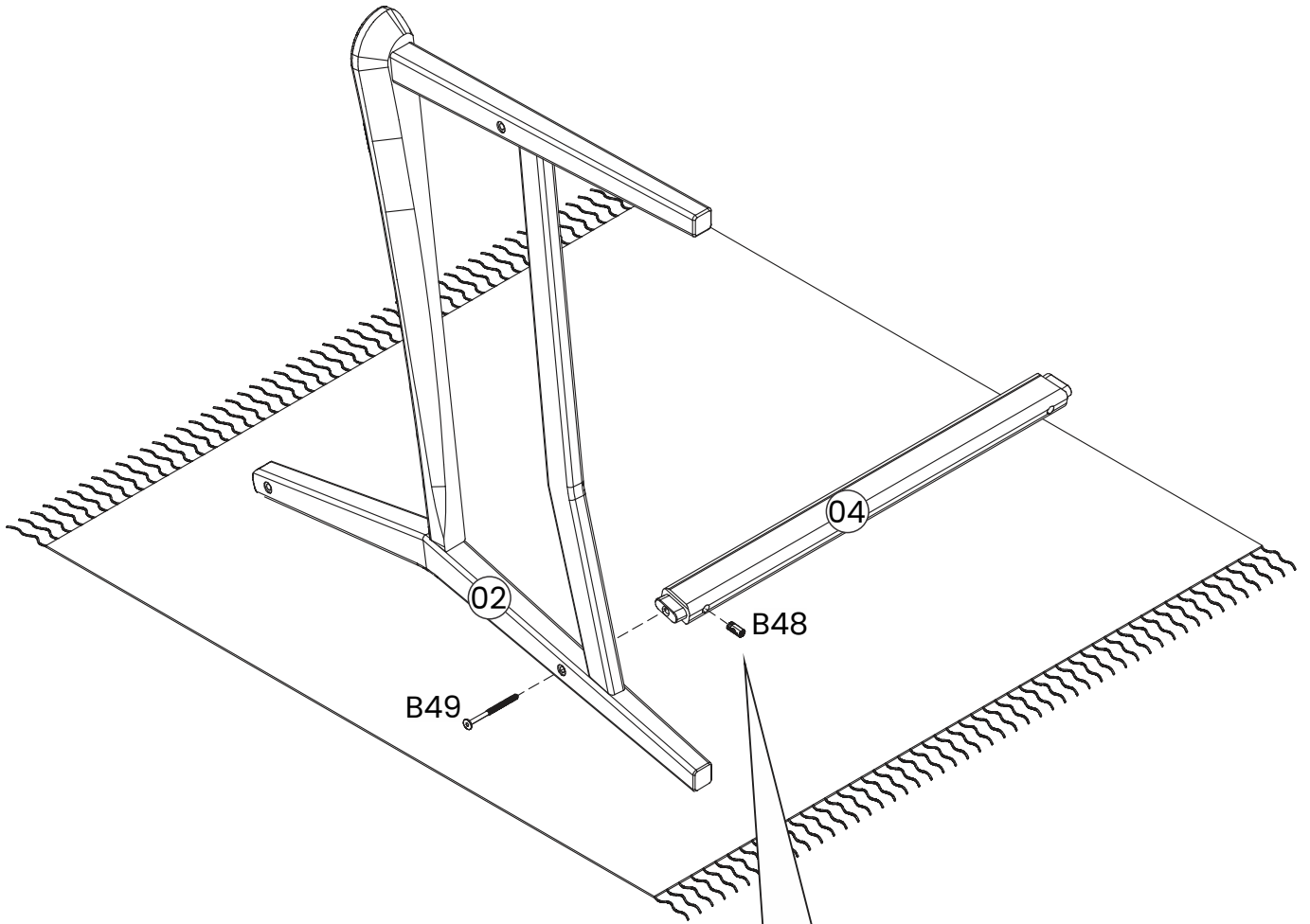
**WARNING:**  
**CHOKING HAZARD**  
Small parts, not for children.  
To be assembled by an adult.



BOX		
Part #	Description	Qty.
01	Right Frame	1
02	Left Frame	1
03	Straps	1
04	Rear Crosspiece	1
05	Back Cushion	1
06	Seat Cushion	1
07	Cover	1

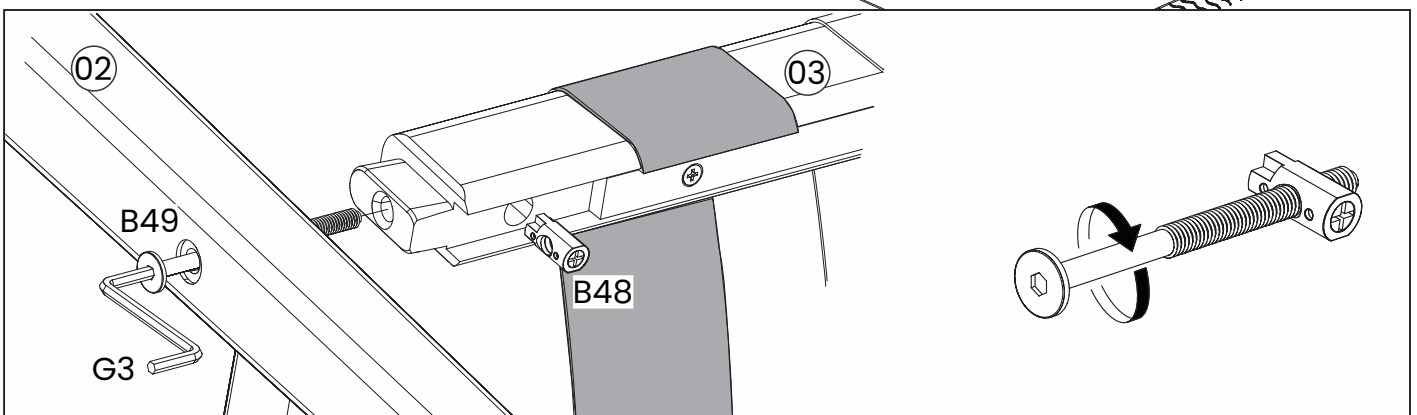
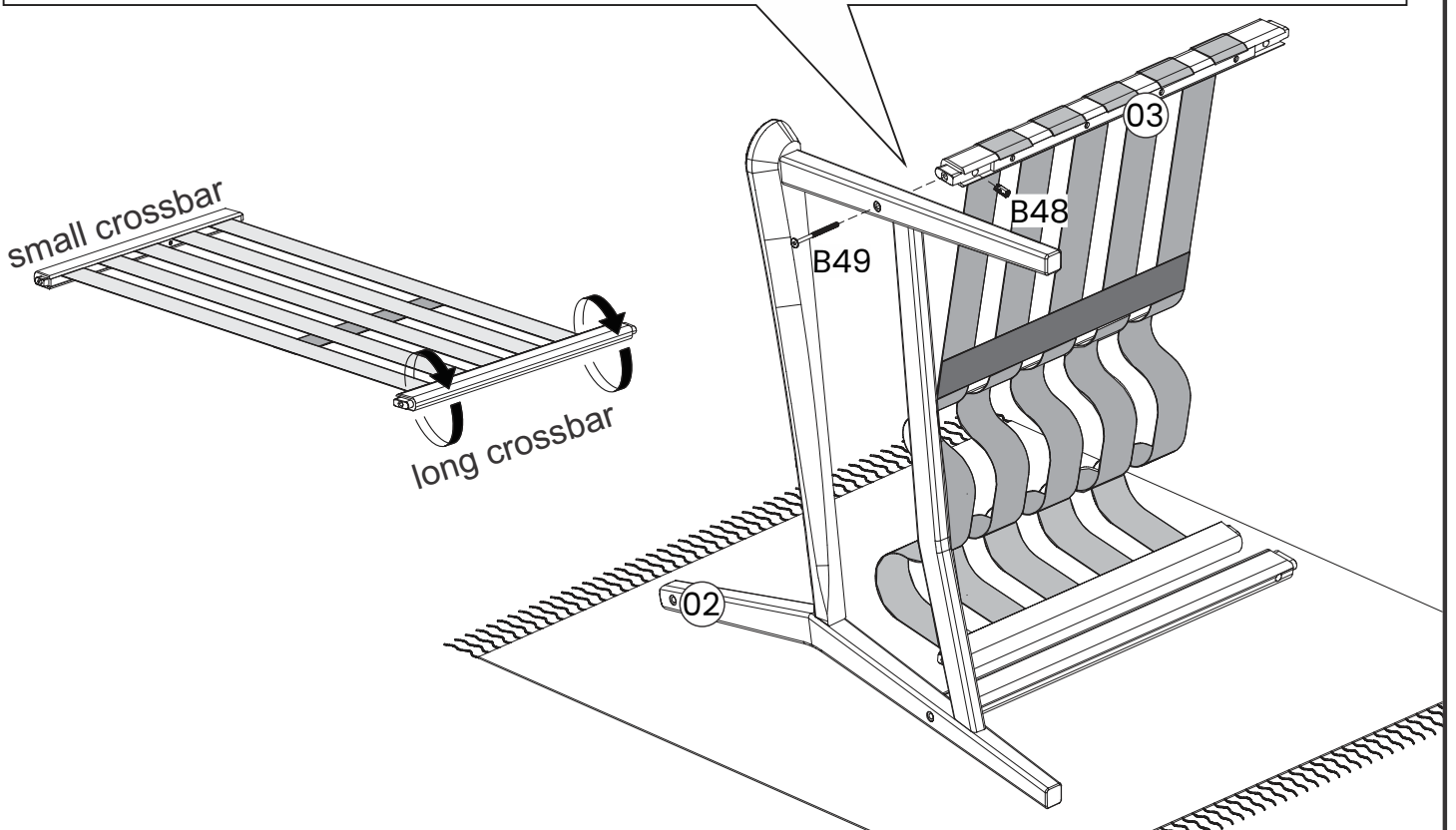
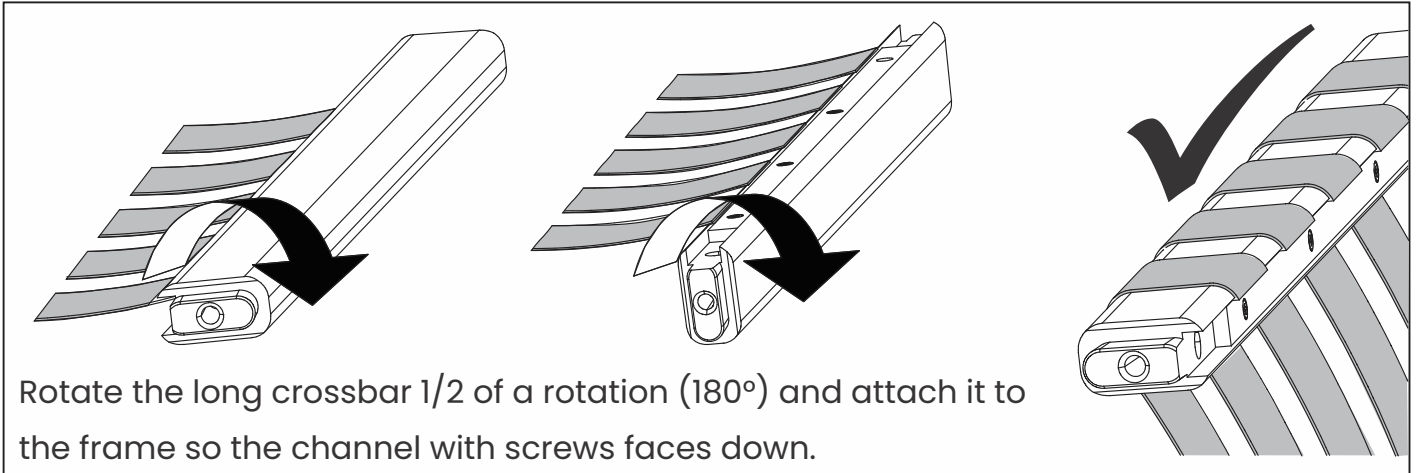
HW	Hardware	1
----	----------	---

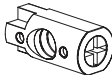
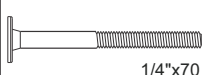
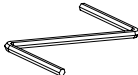
1)



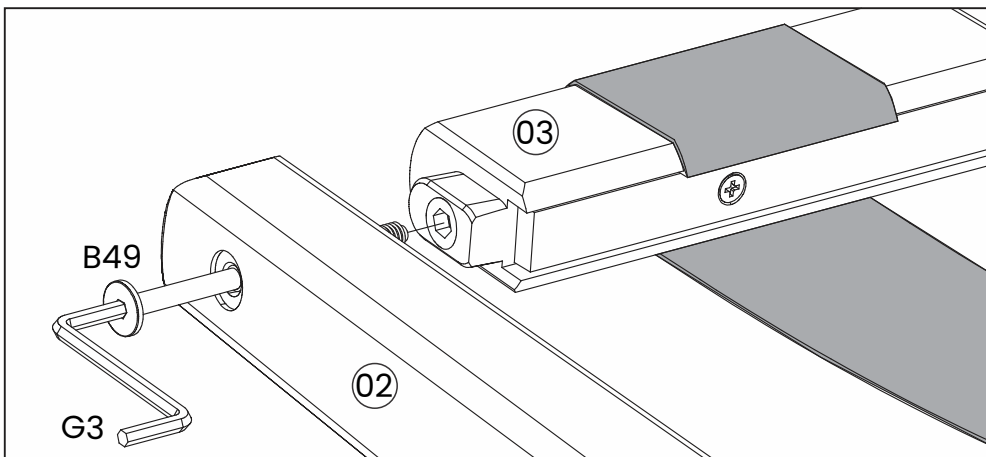
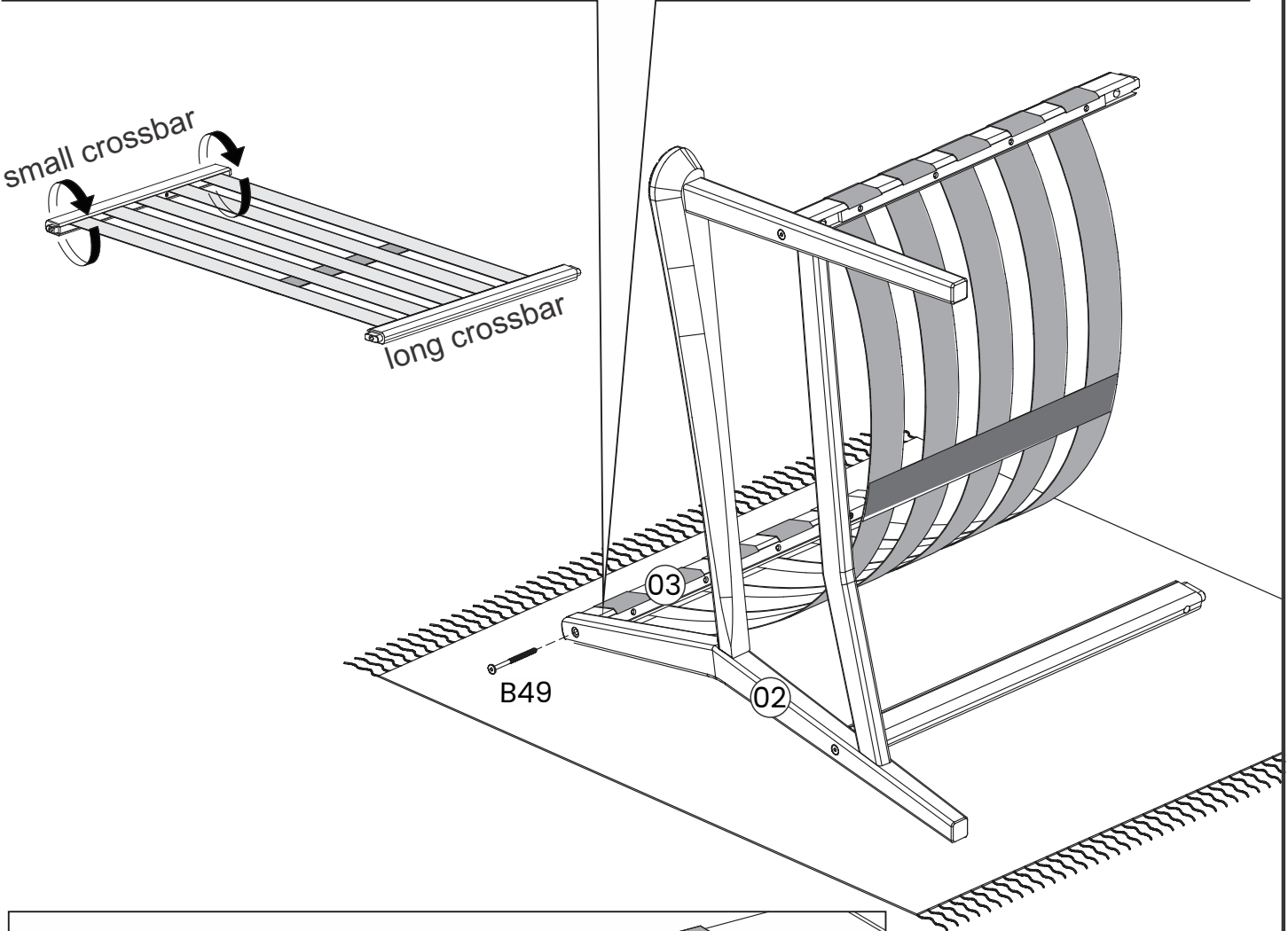
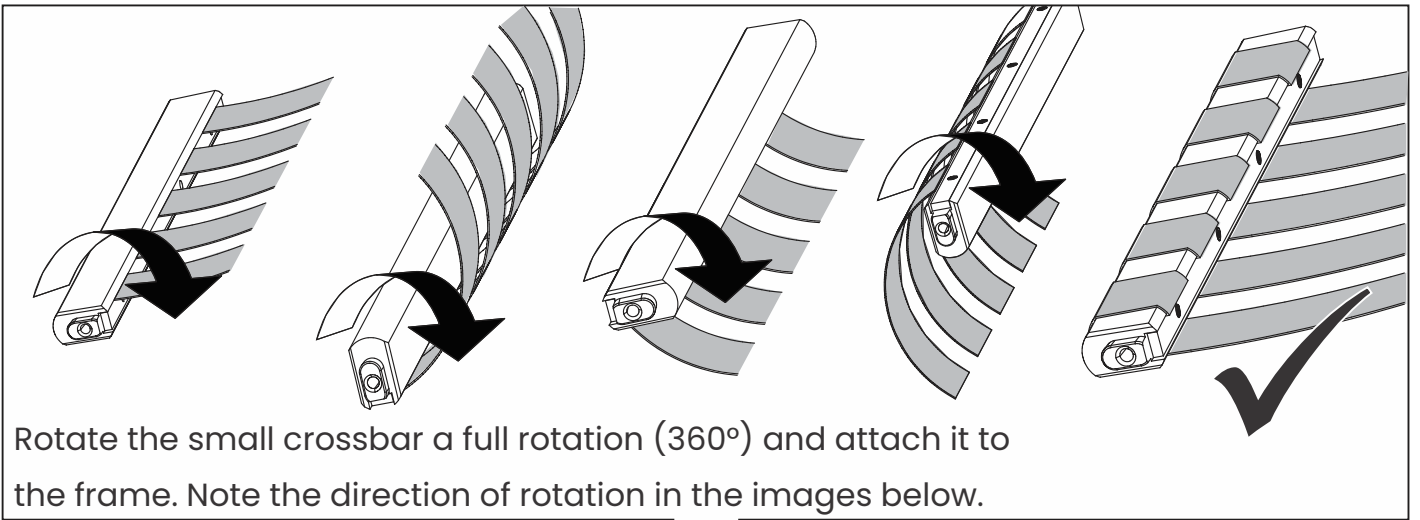
## 2) Warning!

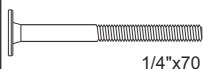
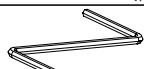
Direction of rotation is important! Orient yourself so that you see the chair in the same direction as the instructions below with the **small crossbar to your left** and the **long crossbar to your right**. Then, ensure you are rotating **clockwise** for both of the following steps.



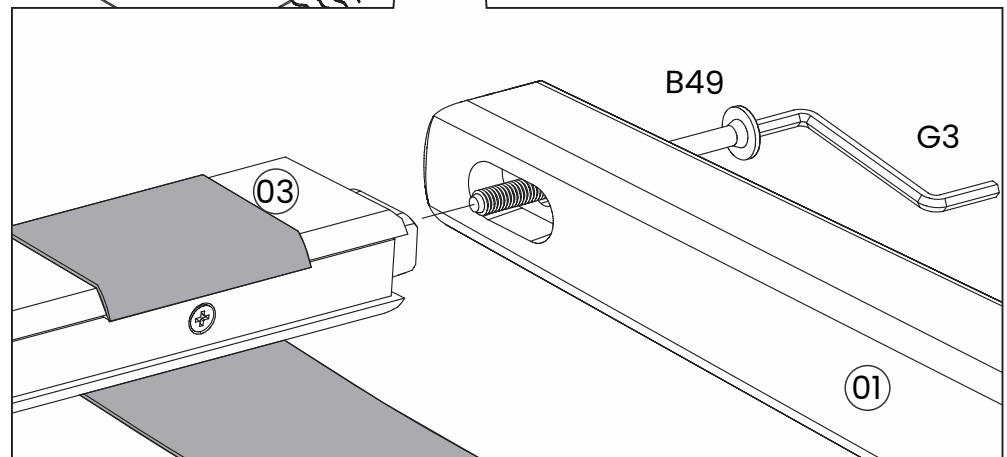
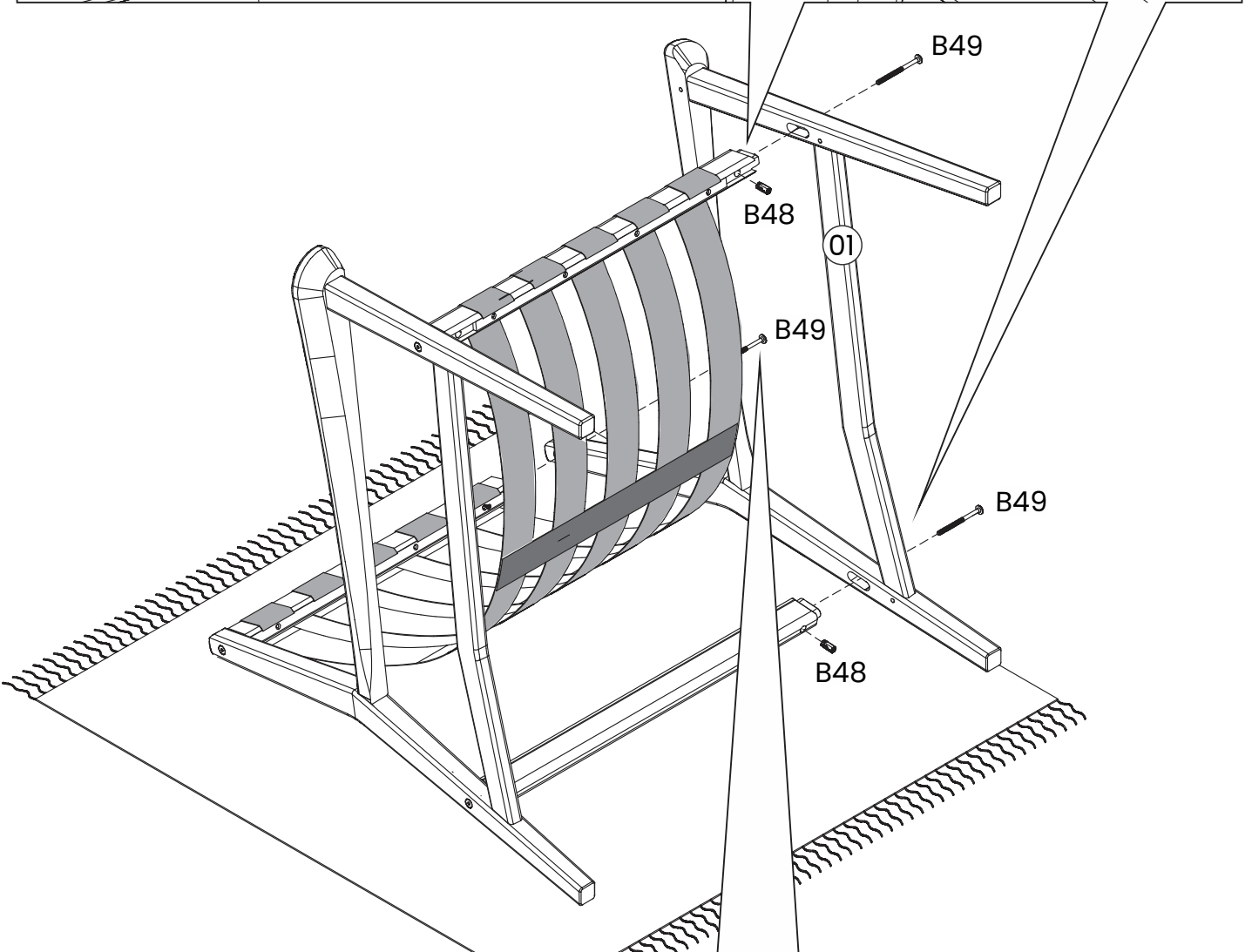
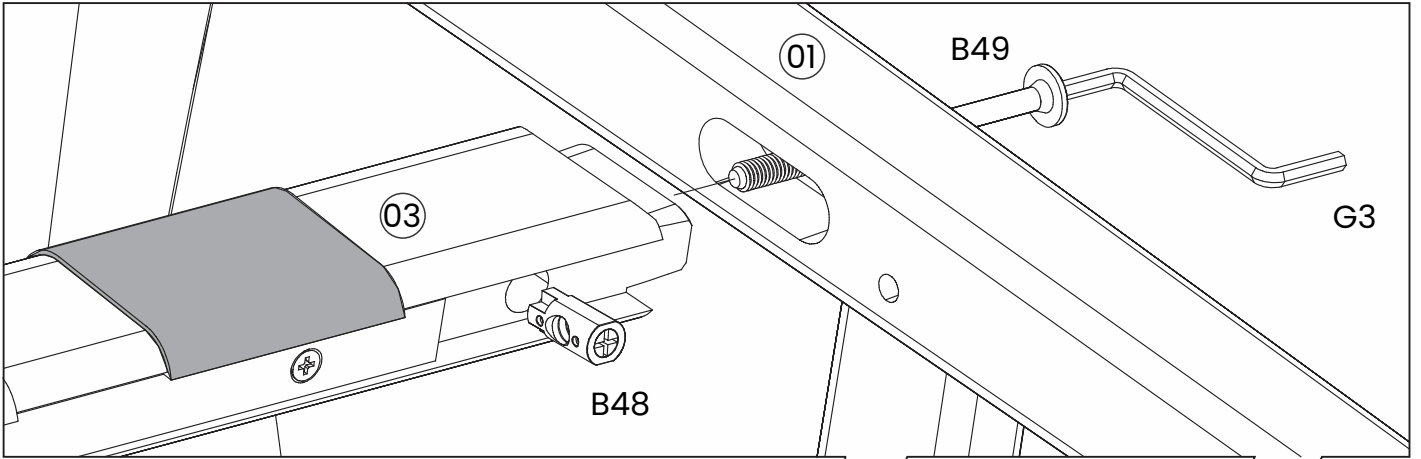
B48		1	B49		1	G3		1
	1/4"x20			1/4"x70				

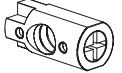
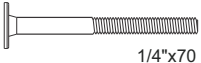
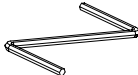
3)



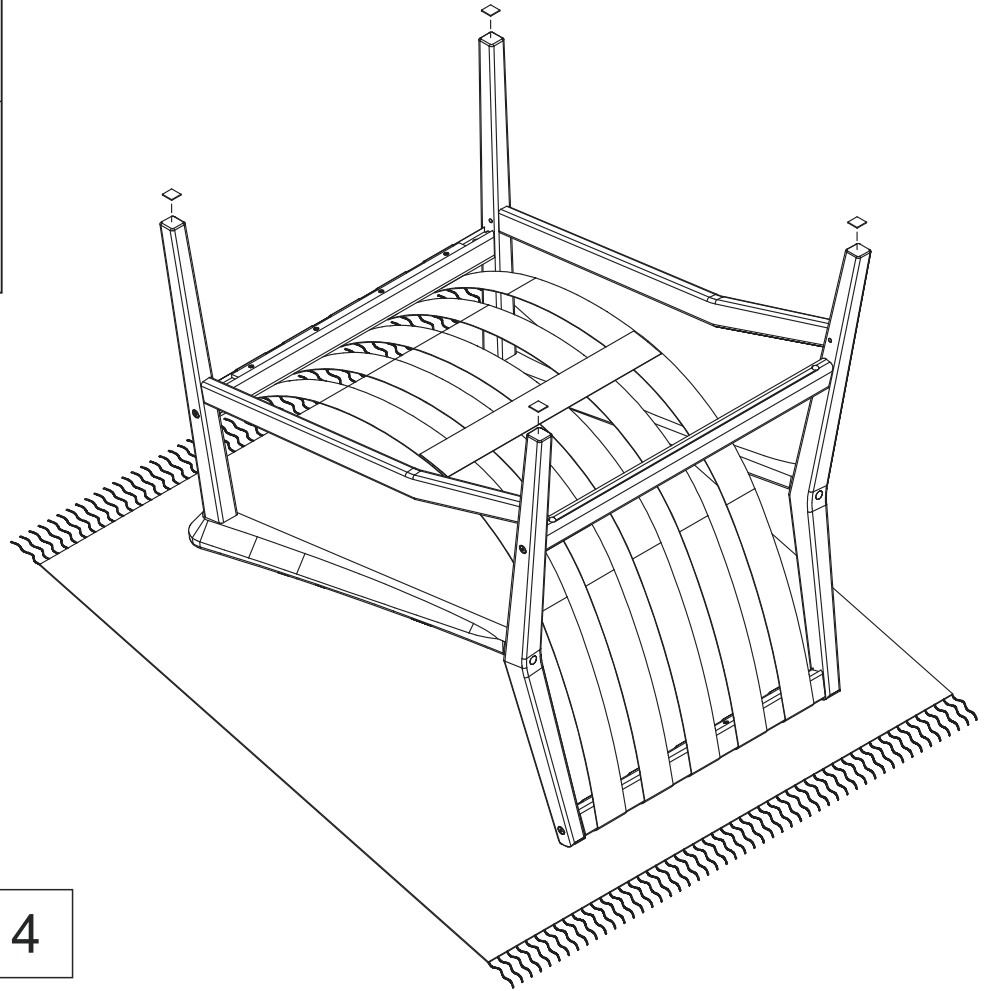
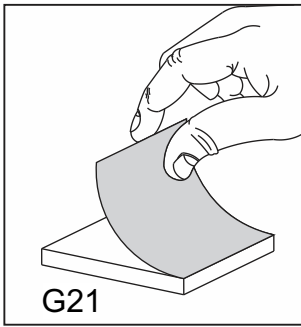
B49	 1/4"x70	1
G3		1

4)

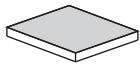


B48	 1/4"x20	2
B49	 1/4"x70	3
G3		1

5)



G21

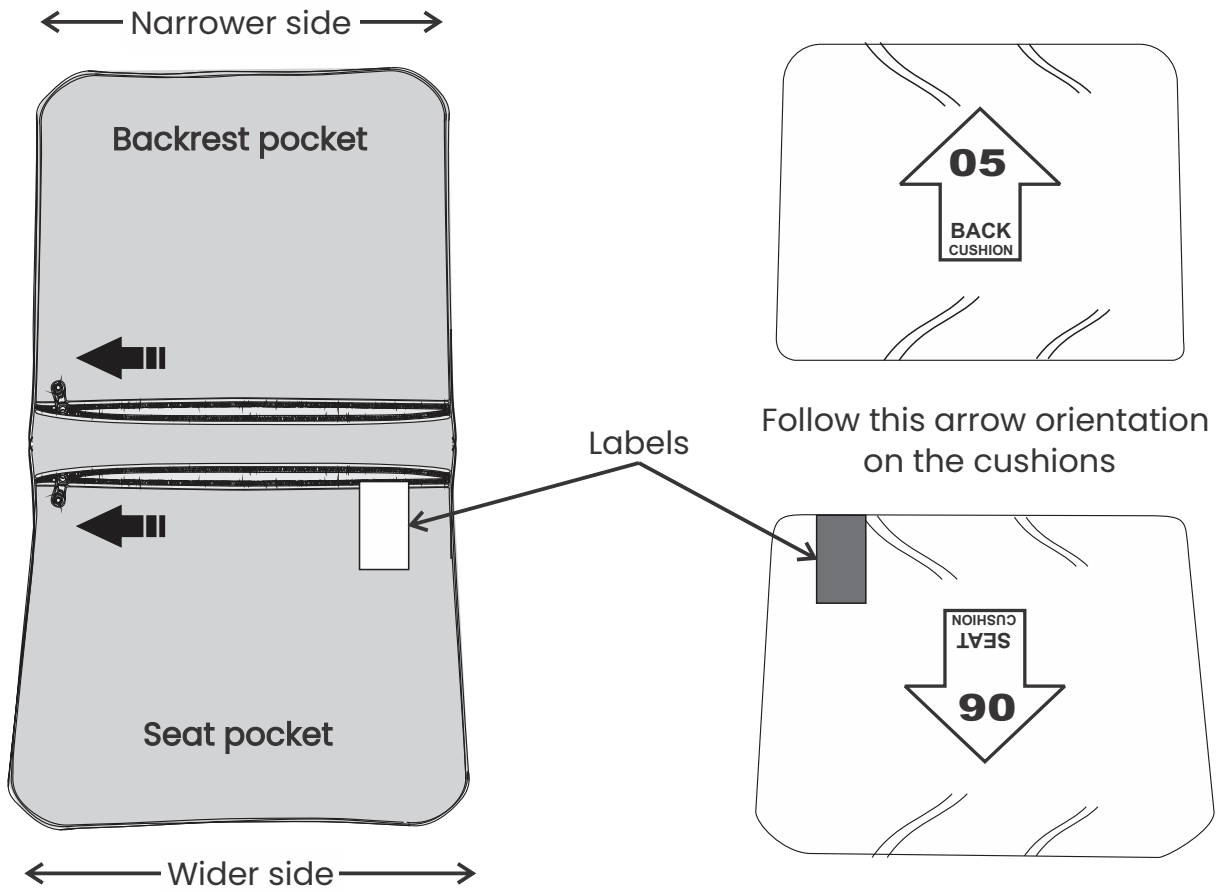


4

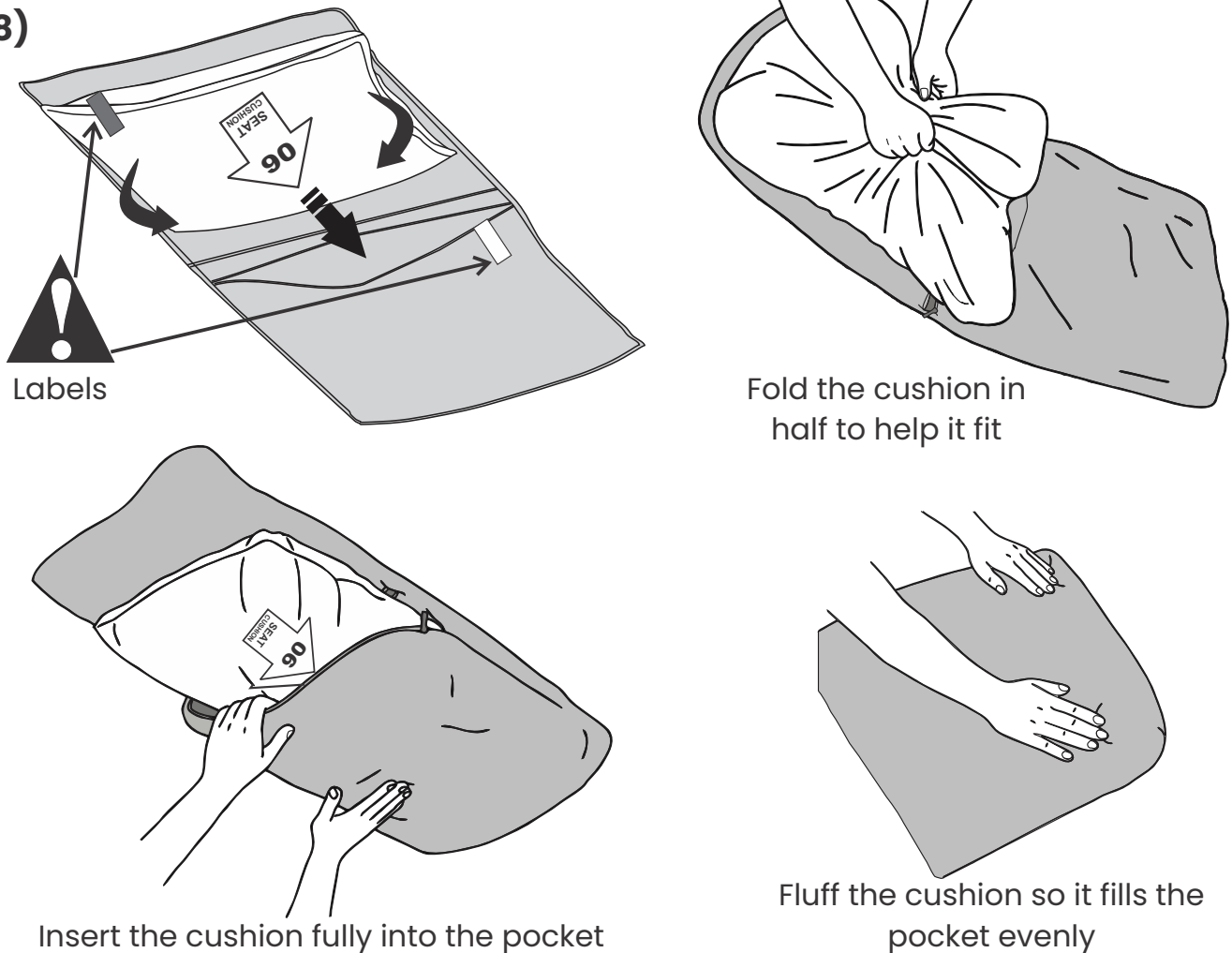
- 6) Remove the cushions from the plastic packaging and evenly distribute the fibers inside before placing them into the fabric cover.



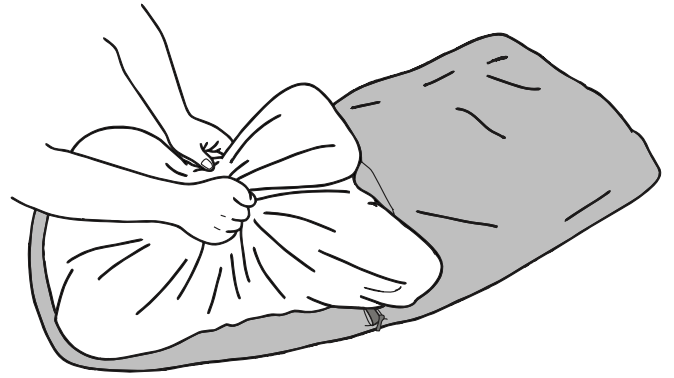
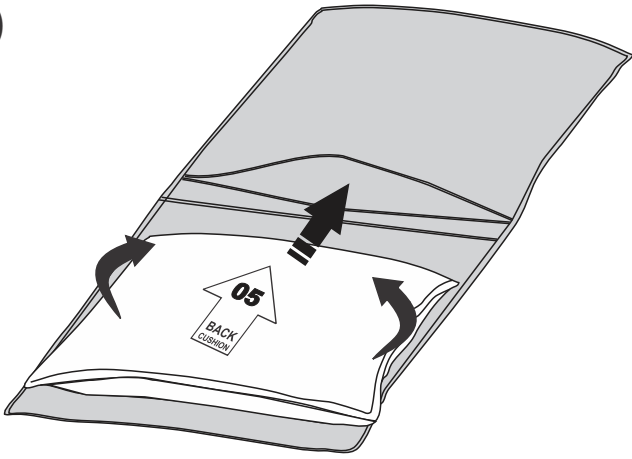
7)



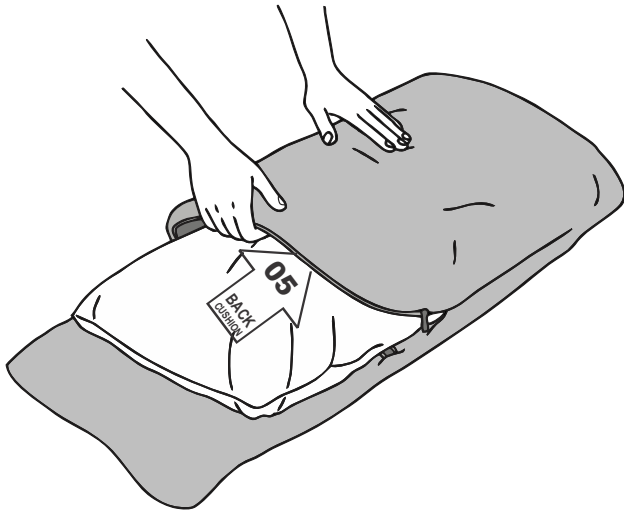
8)



9)



Fold the cushion in half to help it fit into the pocket



Insert the cushion fully into the pocket



Fluff the cushion so it fills the pocket evenly

10)

Zippers will face down

