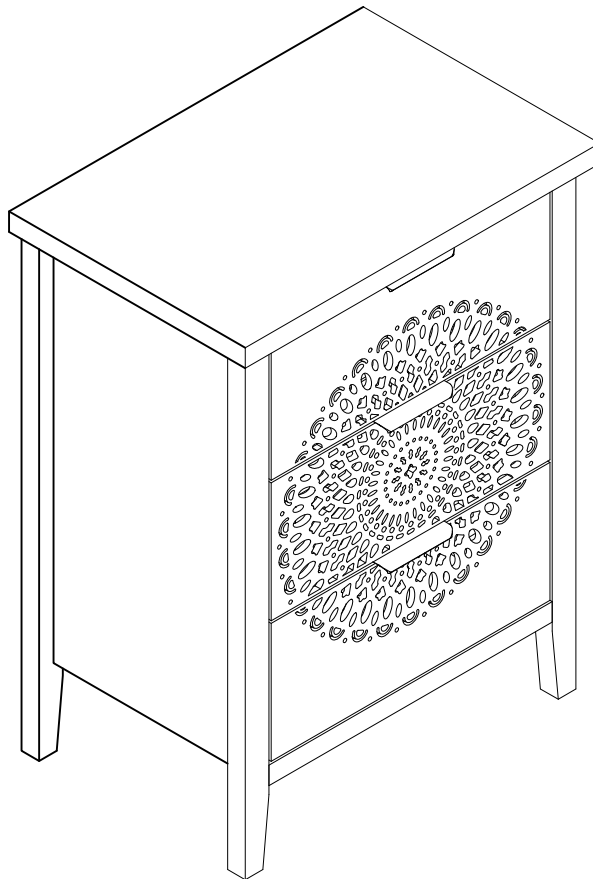


Installation Instruction



Product name

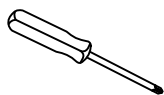
3 Drawer Cabinet

Ver.1.0 20240821

Assembling

What you need

- Use the packaging carton as a working surface to prevent product damage during assembly
- Phillips head screwdriver



Weight Limitation



50 | 11

lbs table top | lbs per drawer

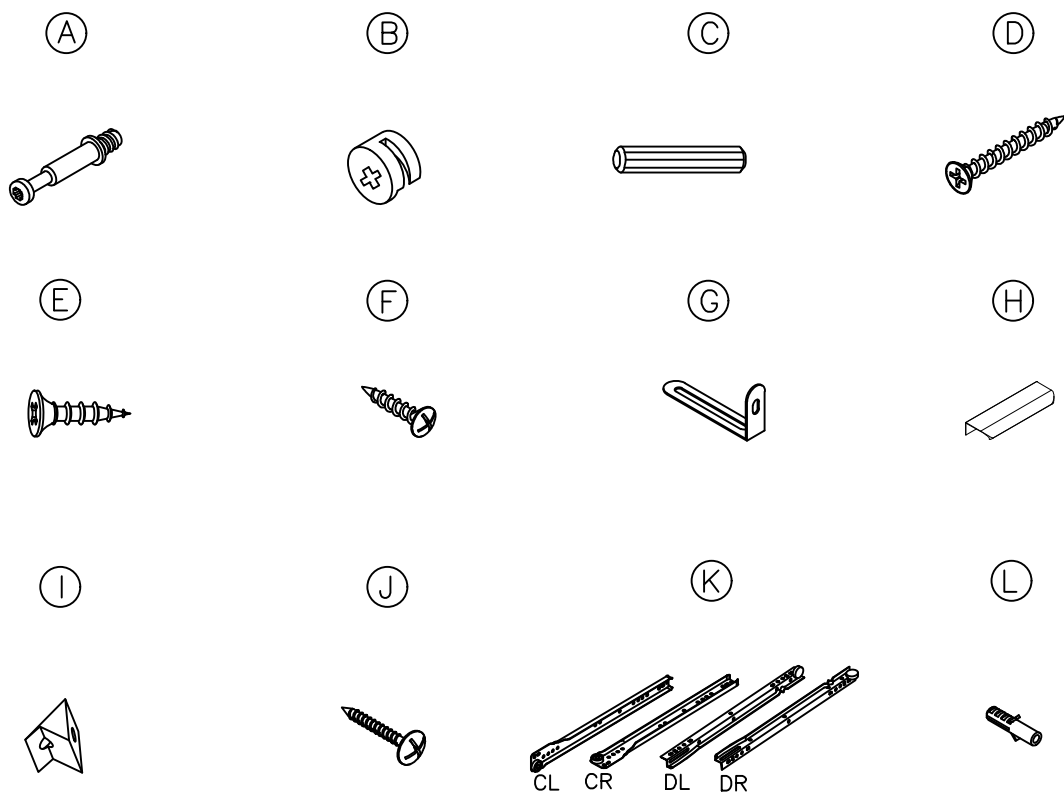


2 PERSONS

What ' s included

Code	Description	Qty
A	Cam Bolt M6X35MM	42
B	Cam Lock 15X10MM	42
C	Wooden Dowel M6X30MM	16
D	Screw M4X35MM	16
E	Screw M3X12MM	42
F	Screw M4X14MM	2
G	Metal Plate	2
H	Handle	3
I	Plastic Corner Support	8
J	Screw M3X16MM	8
K	Slide Sets	3
L	Anchor M6x30mm	2

The hardware



IMPORTANT:

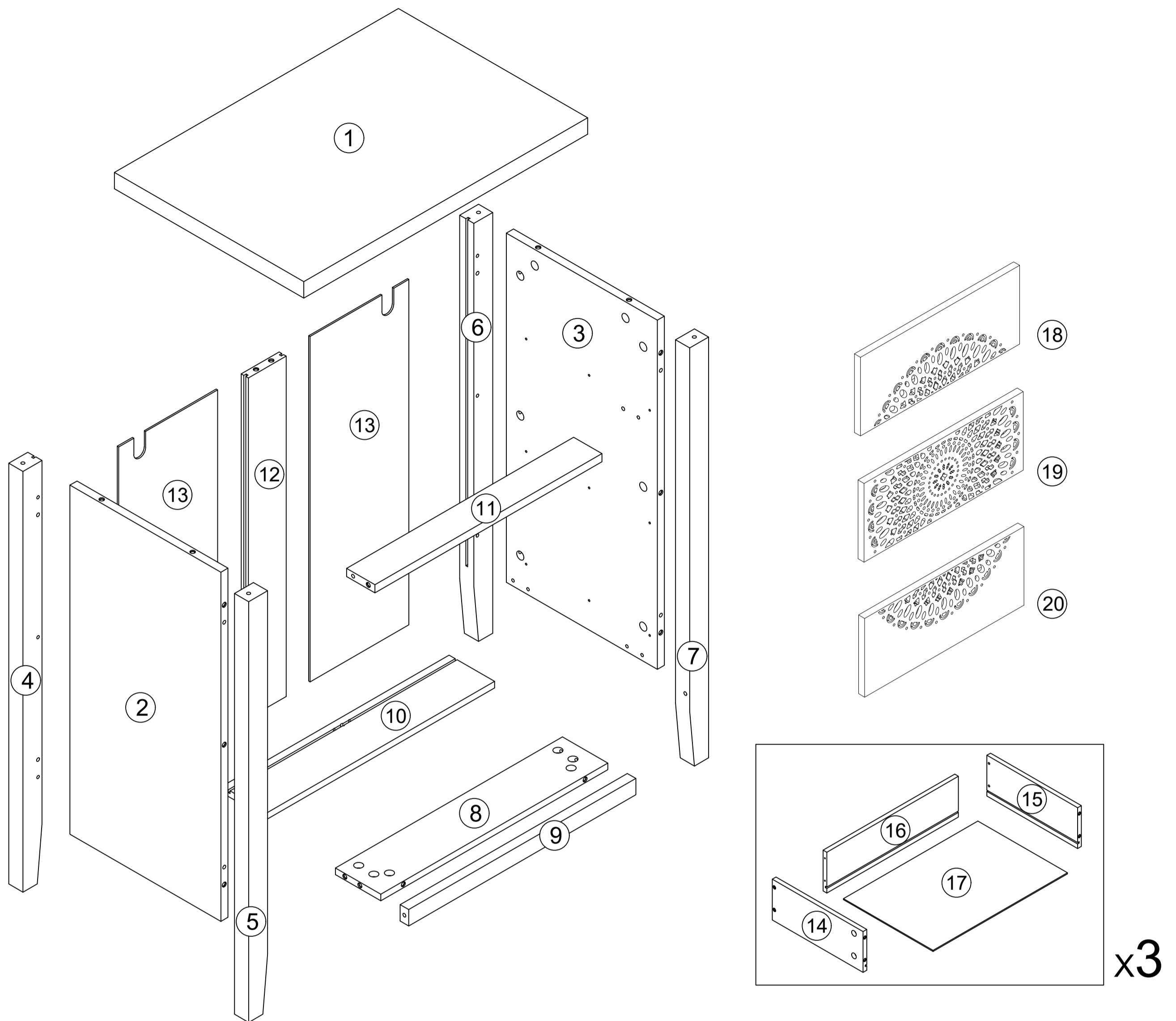
1. Do not tighten bolts / screws completely until all bolts / screws are lined up and inserted into holes.
2. Do not over tighten screws and bolts to avoid stripping.
3. Please use hand tools to assemble this product. Do not use power tools.
4. Must need 2 people to assemble this product.



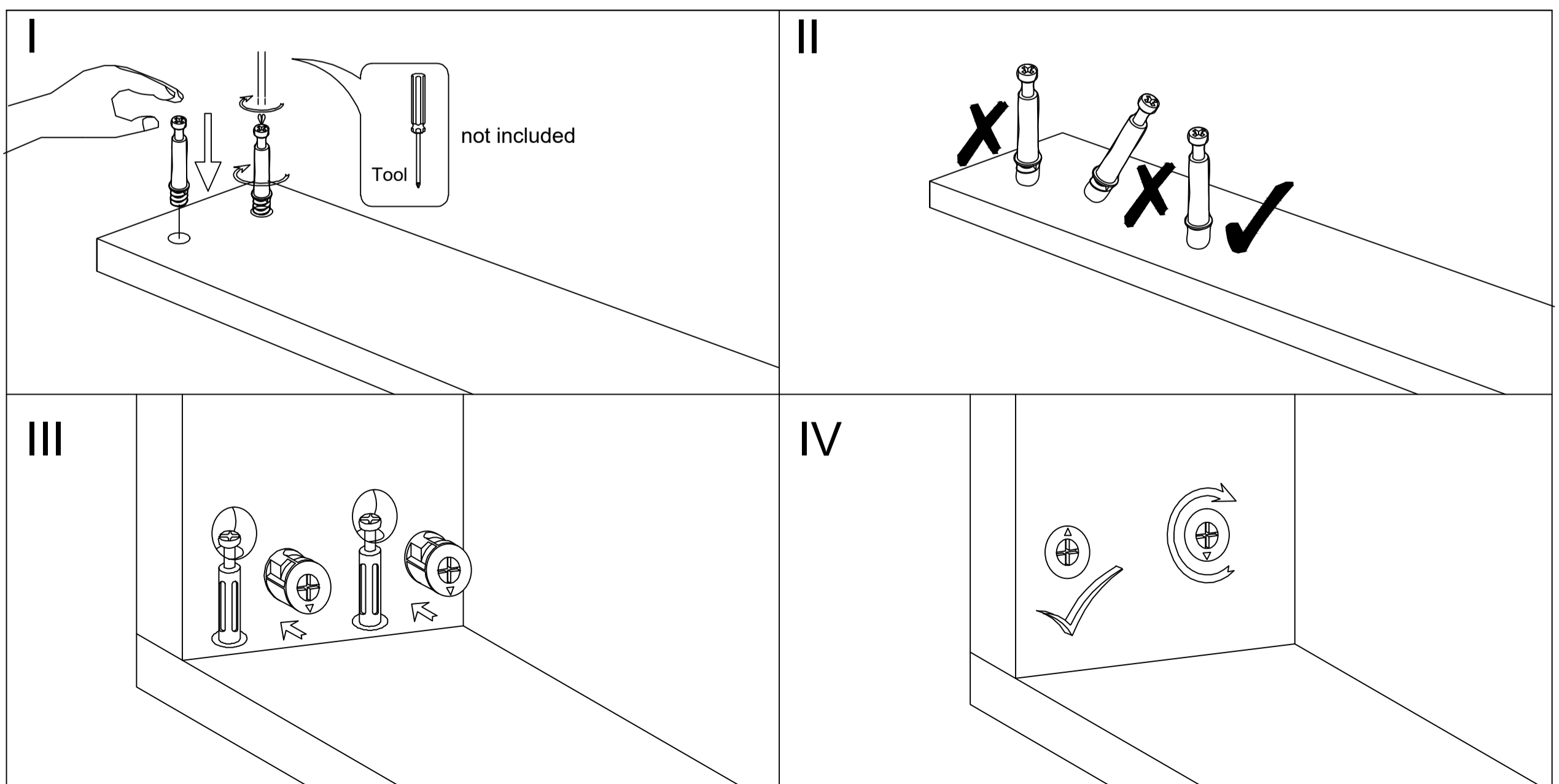
Included Accessories

Code	Description	Qty
1	Cabinet Top	1
2	Left Side Panel	1
3	Right Side Panel	1
4	Left Back Leg	1
5	Left Front Leg	1
6	Right Back Leg	1
7	Right Front Leg	1
8	Front Bottom Panel	1
9	Front Stretcher	1
10	Latter Bottom Panel	1
11	Front Support Panel	1
12	Vertical Back Stretcher	1
13	Back Panel	2
14	Drawer Left Side Panel	3
15	Drawer Right Side Panel	3
16	Drawer Back Panel	3
17	Drawer Bottom Panel	3
18	Upper Drawer Front Panel	1
19	Middle Drawer Front Panel	1
20	Lower Drawer Front Panel	1

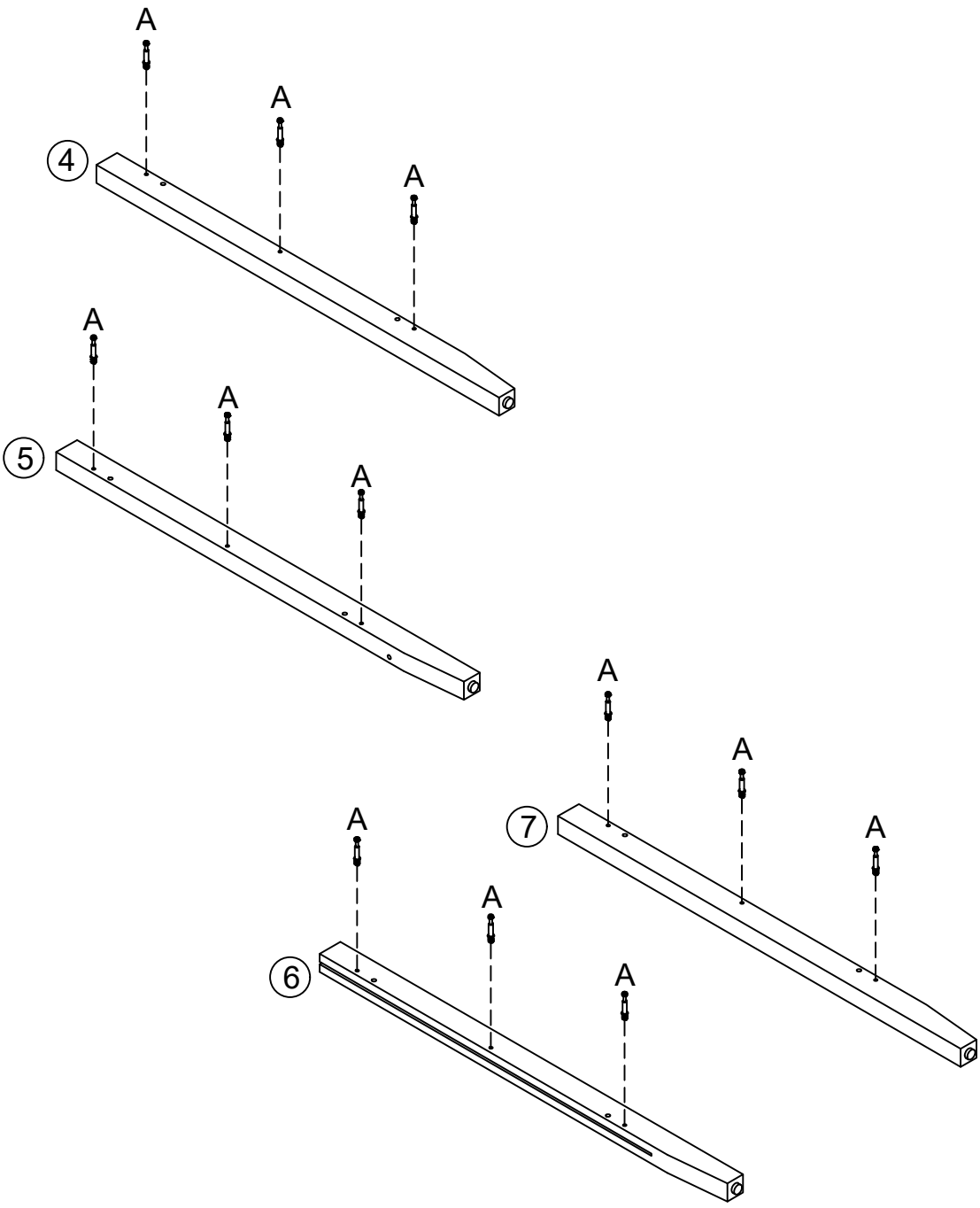
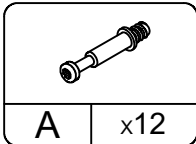
The Accessories





NOTED:

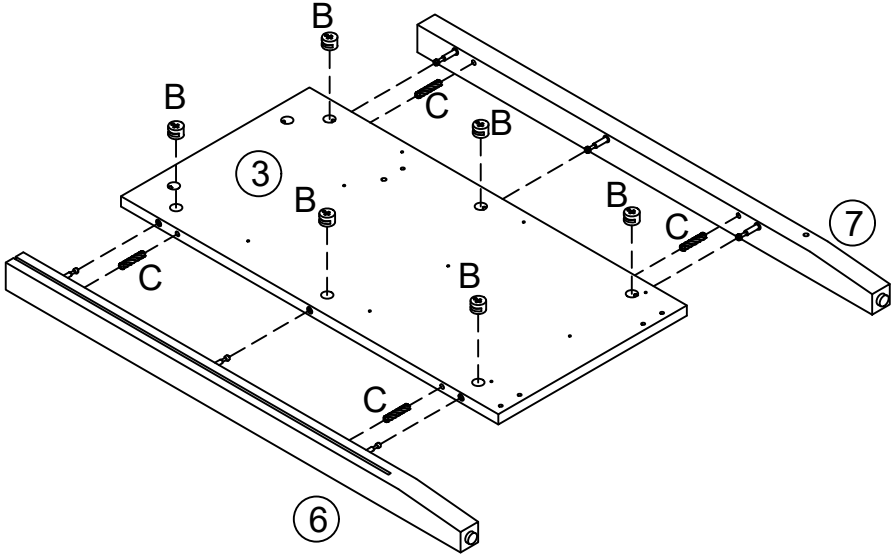
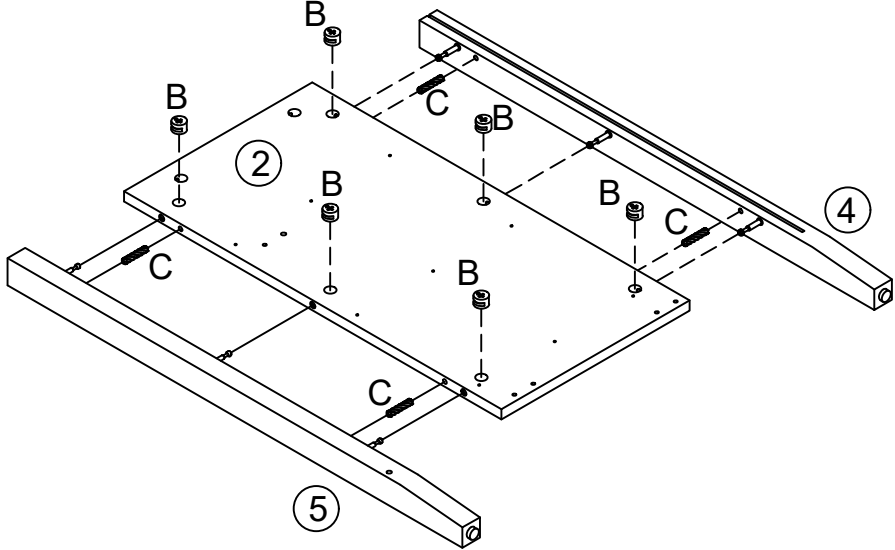


Step 1

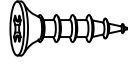
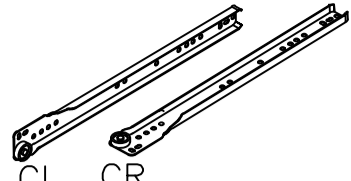


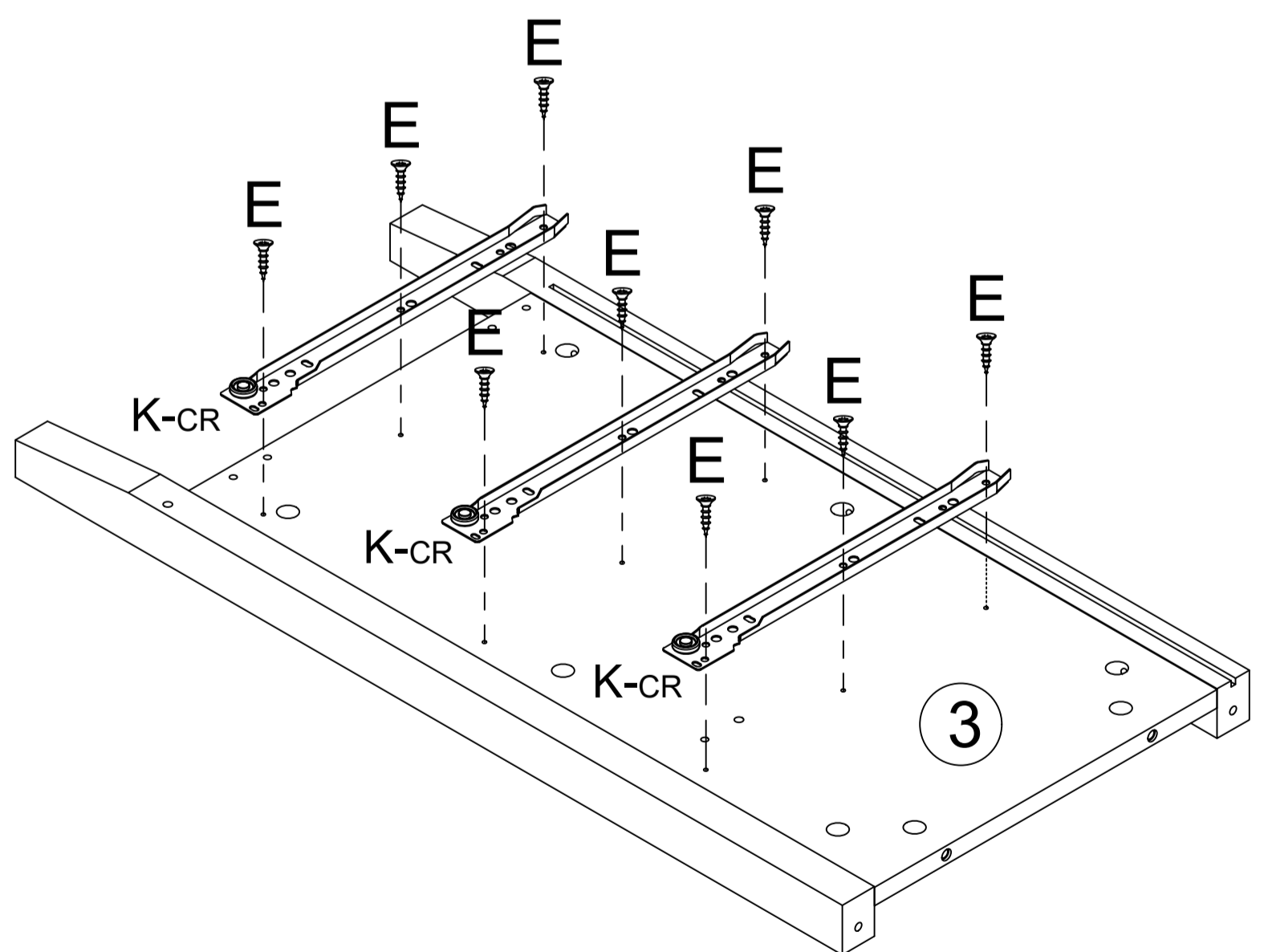
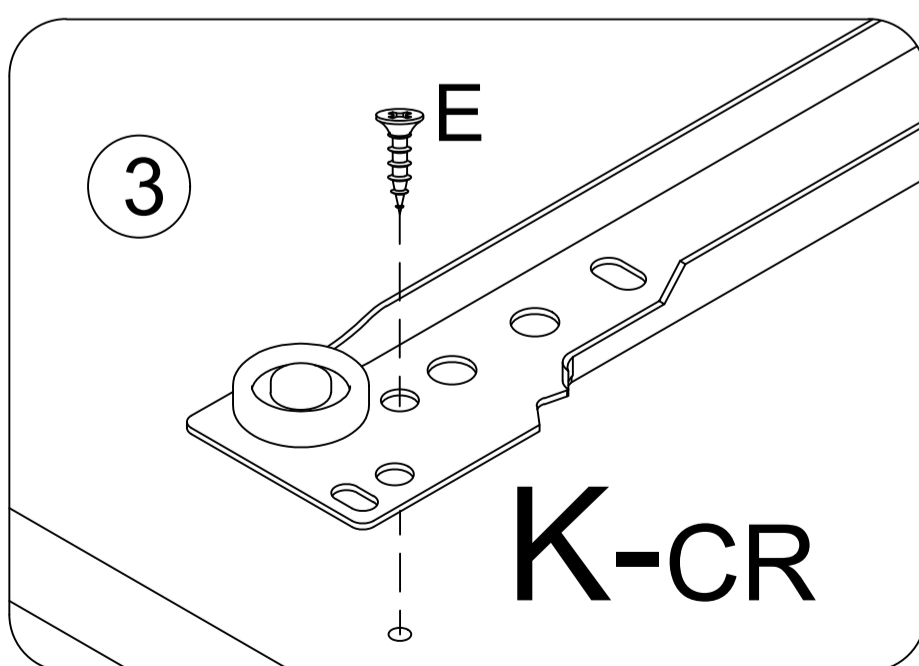
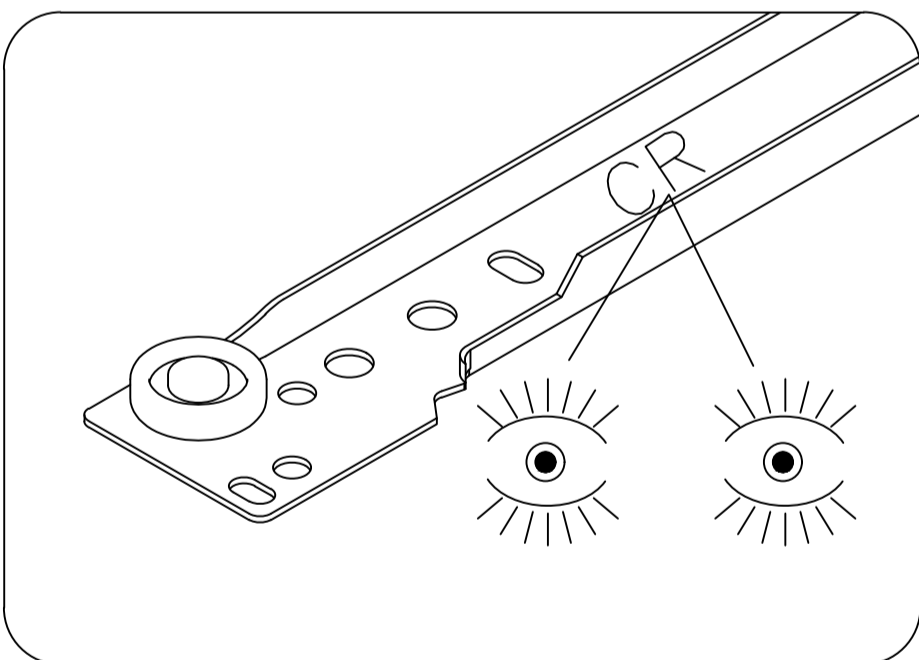
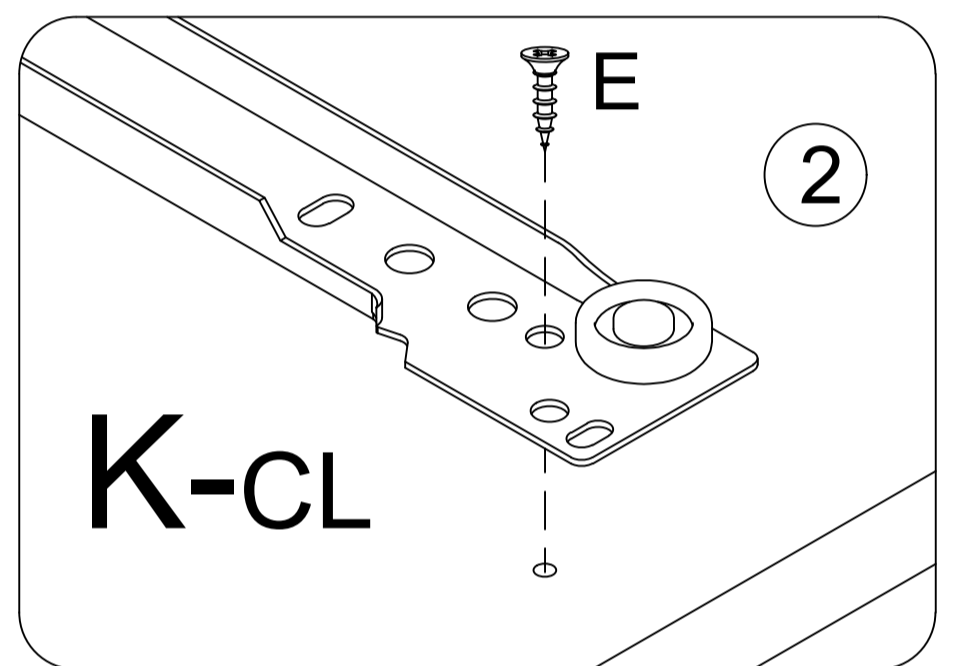
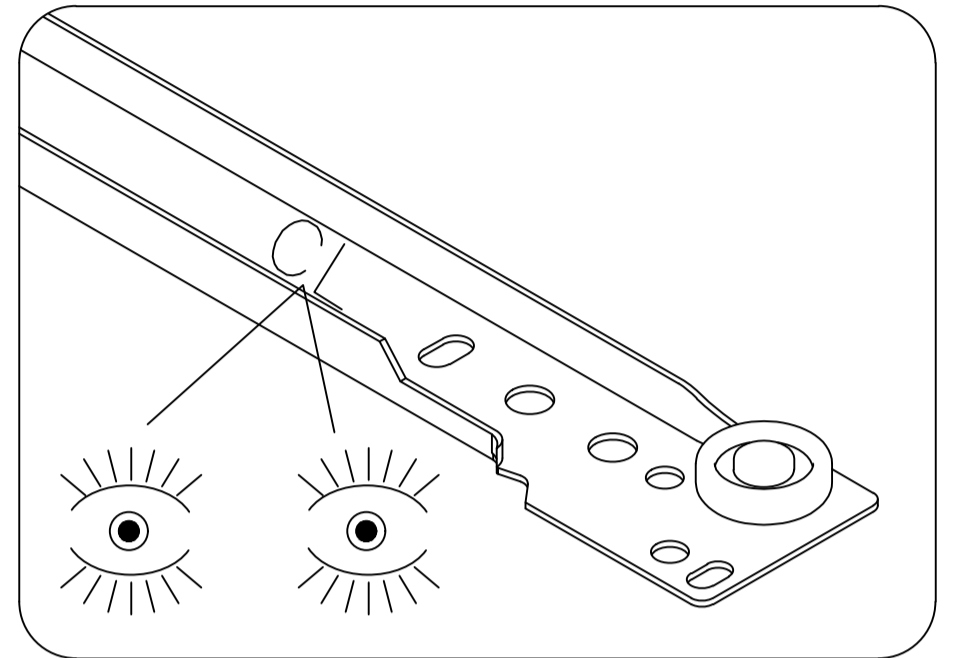
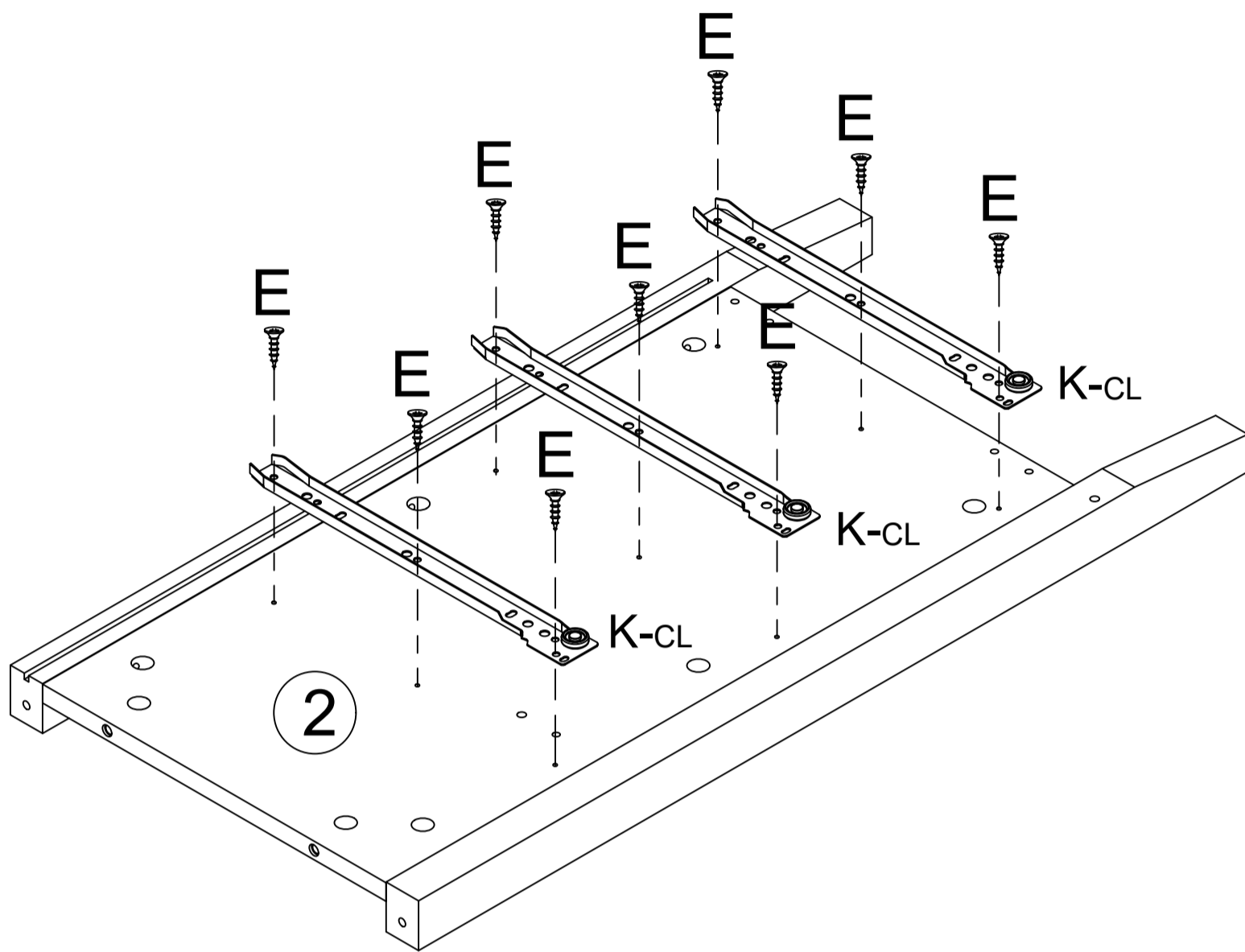
Step 2

	
B	x12
C	x8

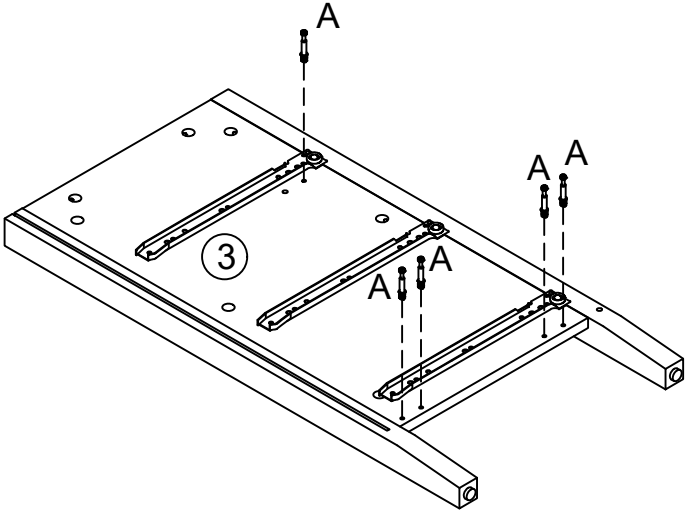
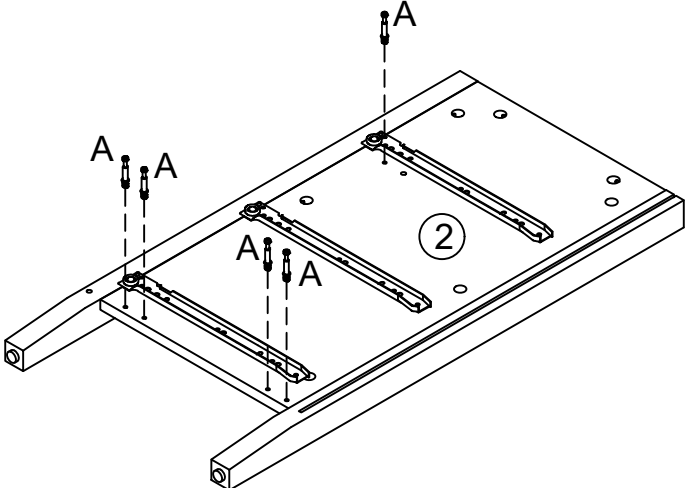
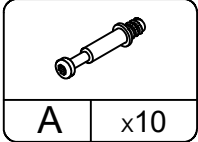


Step 3




			
E	x18	K	x3

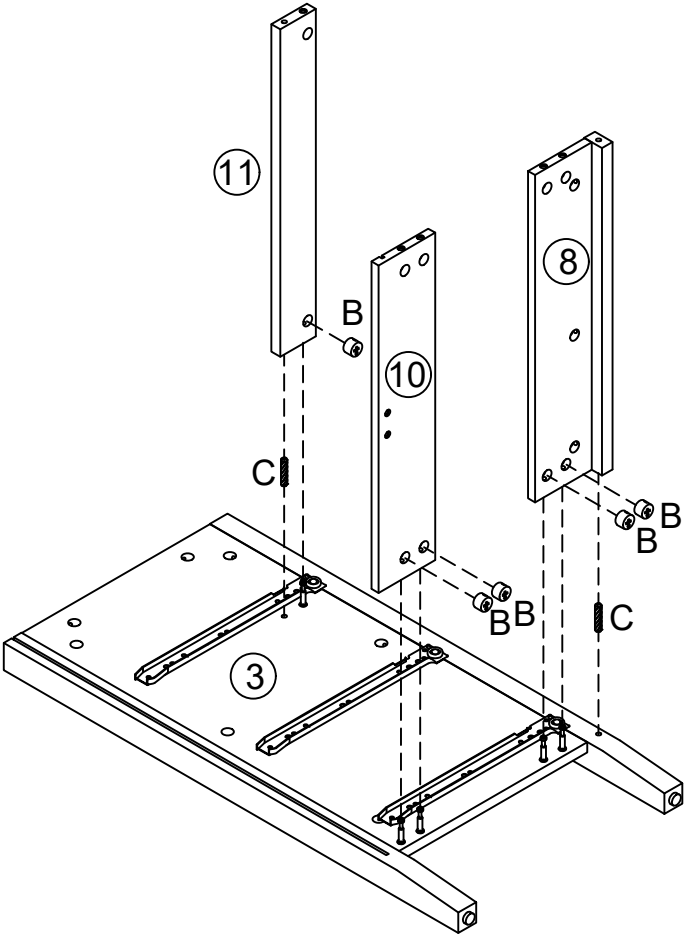
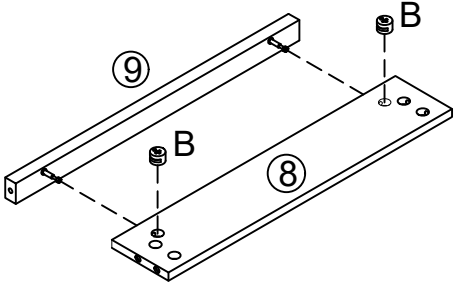
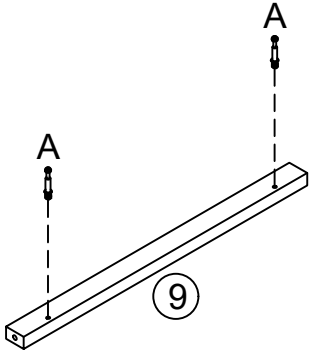


Step 4





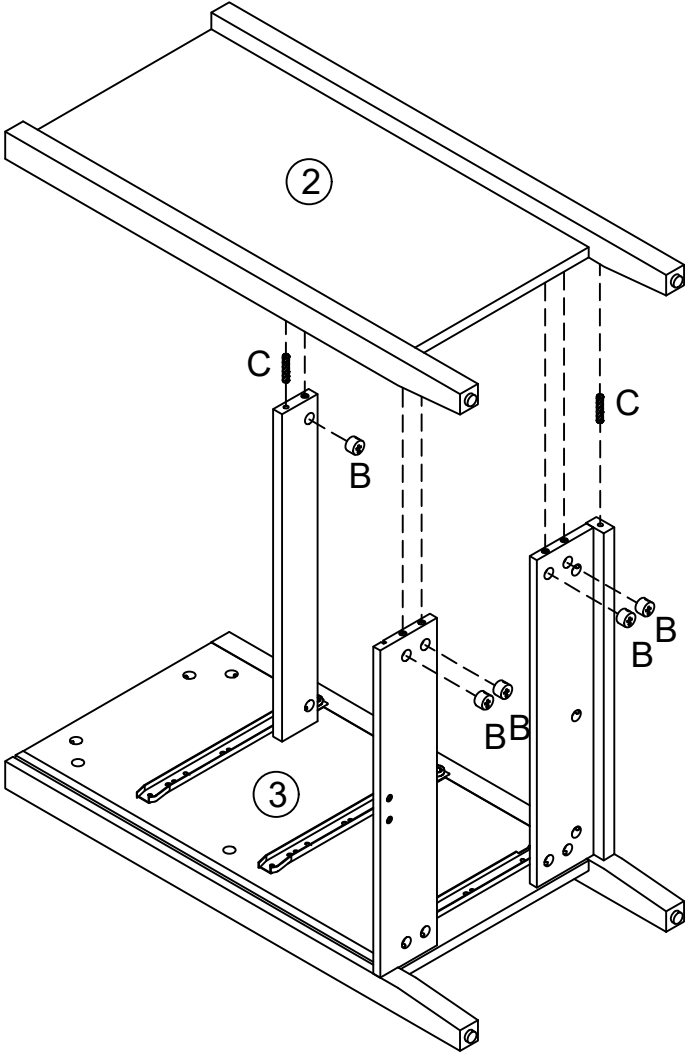
Step 5

					
A	x2	B	x7	C	x2

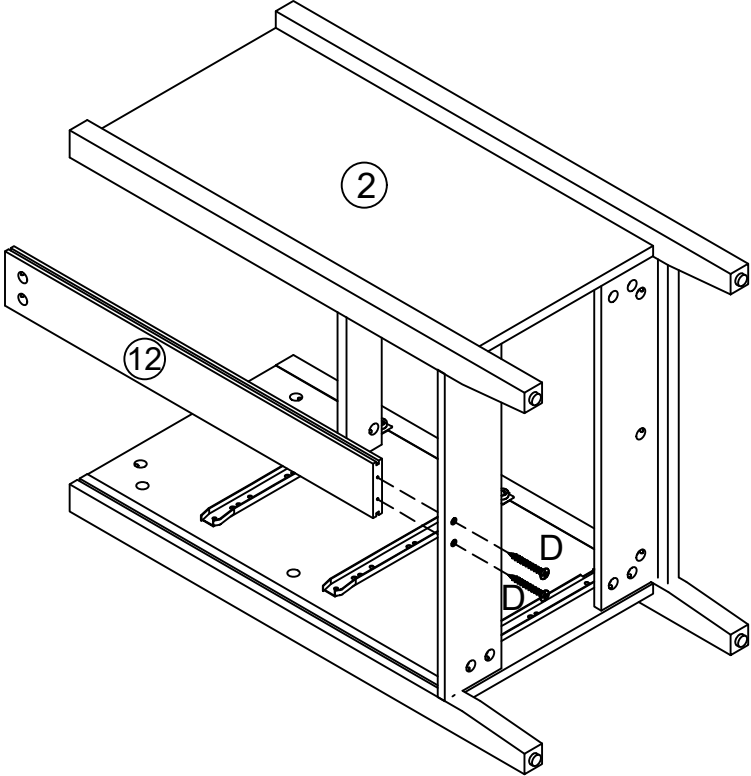
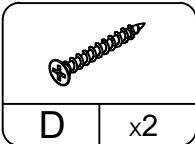


Step 6

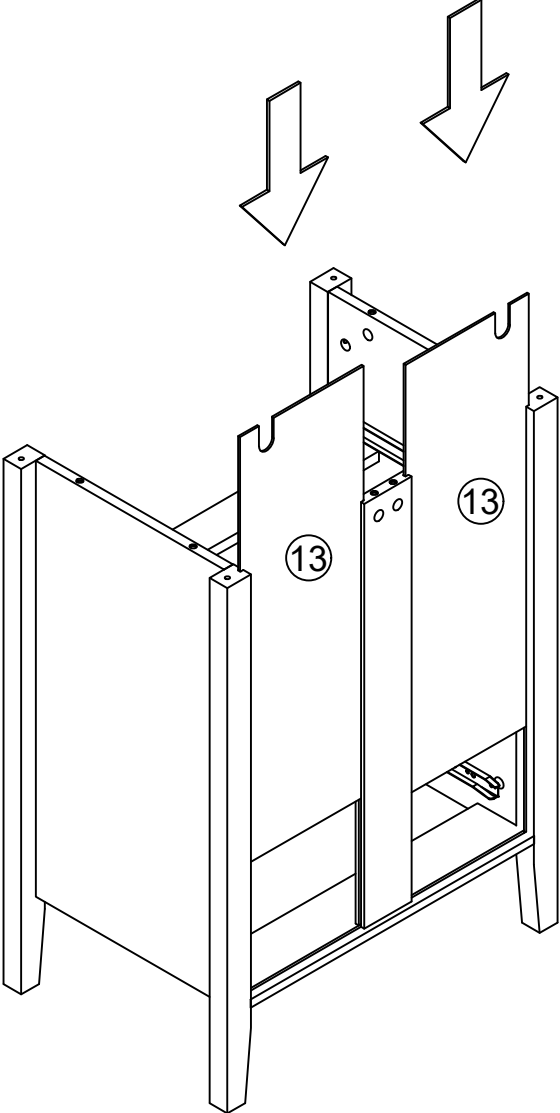
	
B	x5
C	x2








Step 7

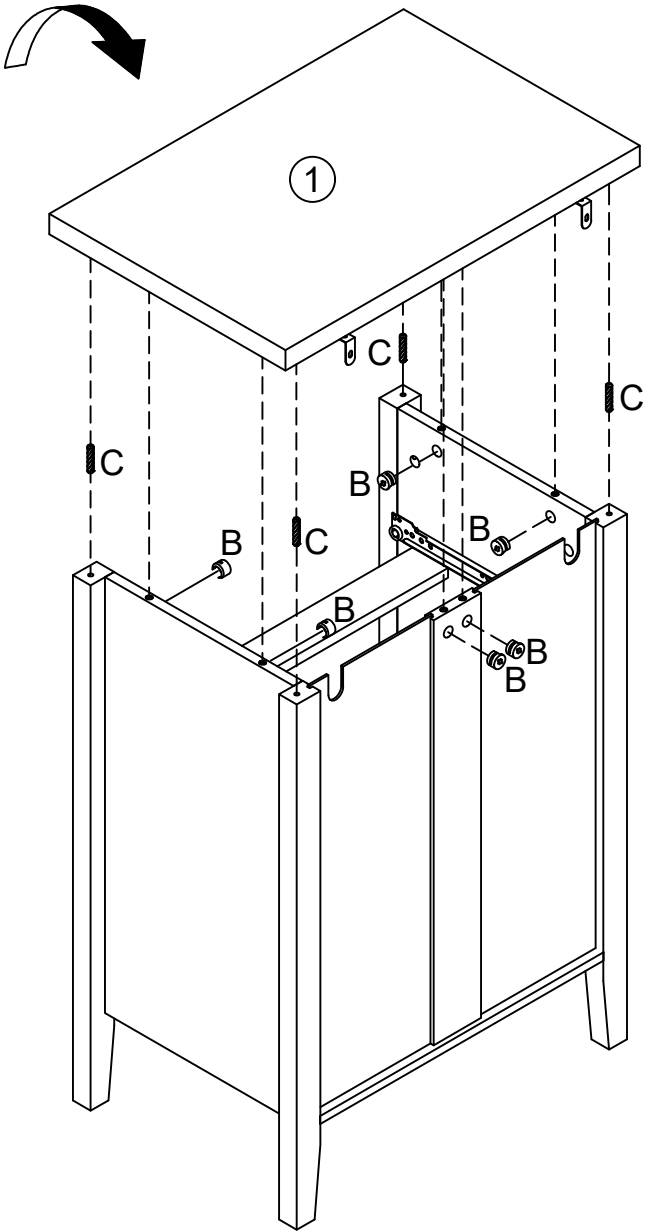
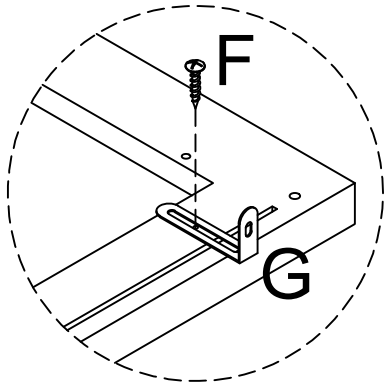
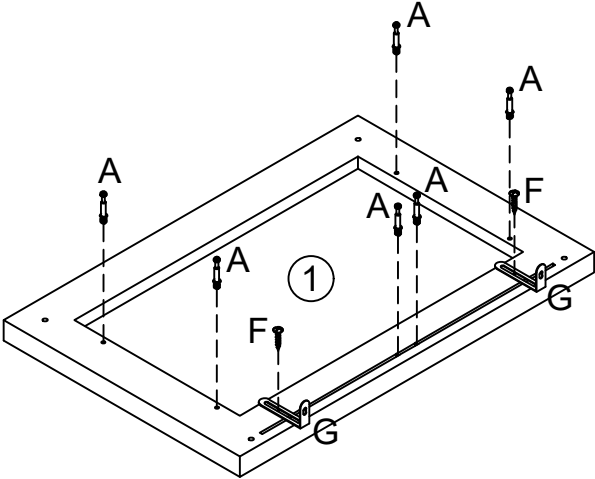


Step 8

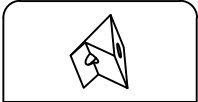



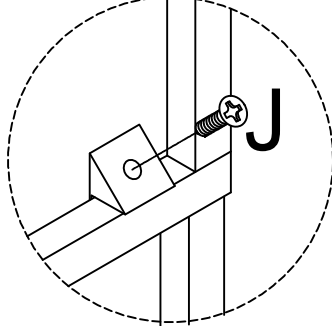
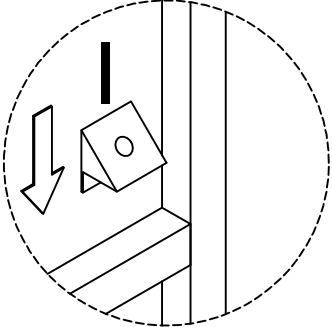
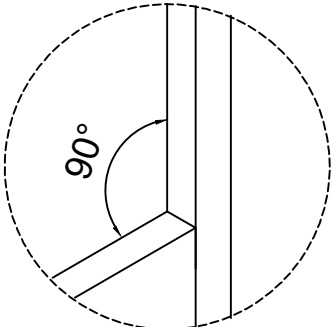
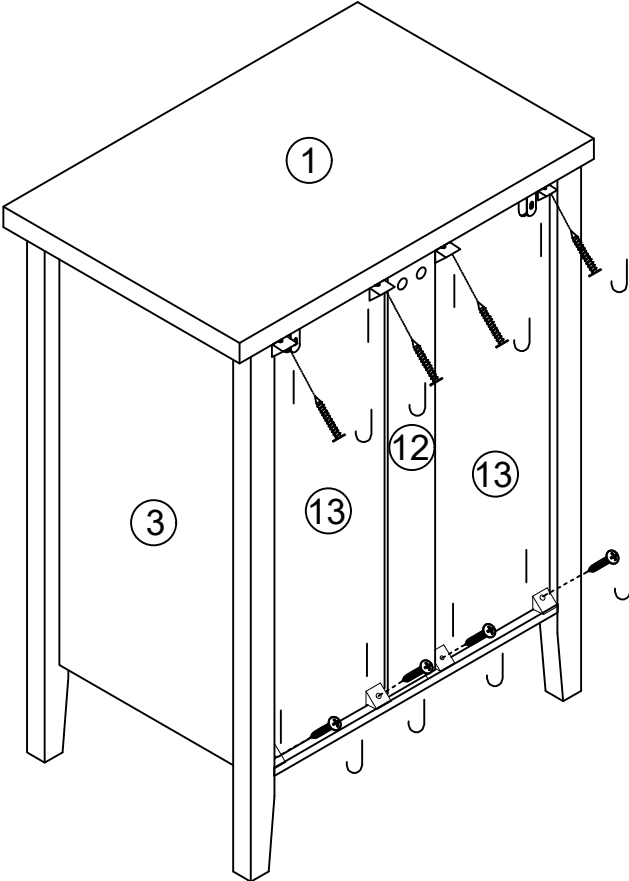
Step 9

		
A x6	B x6	C x4
		
F x2	G x2	

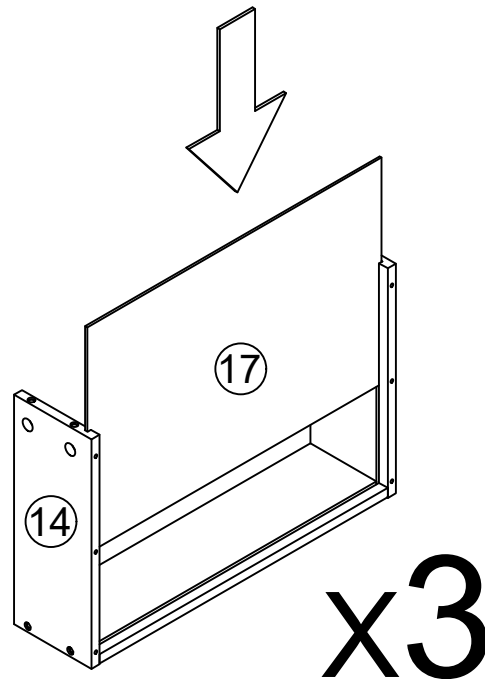
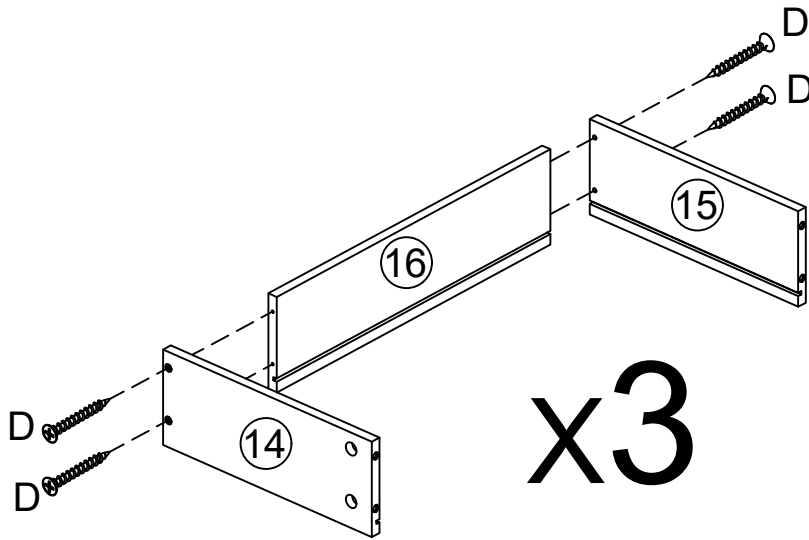
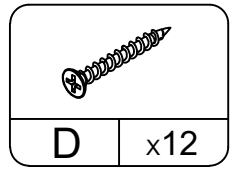


Step 10

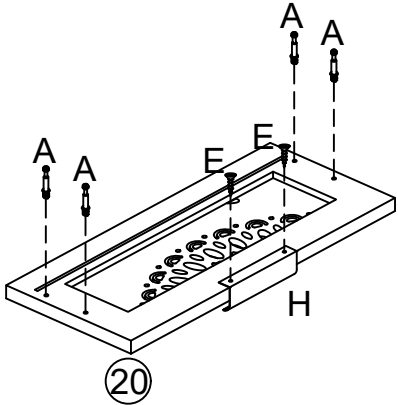
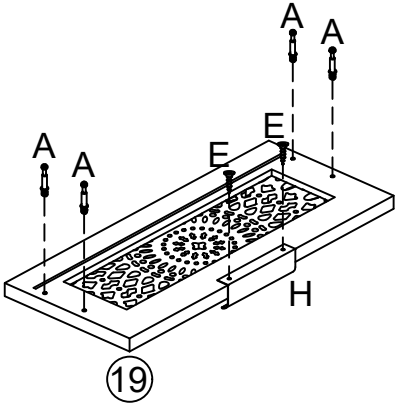
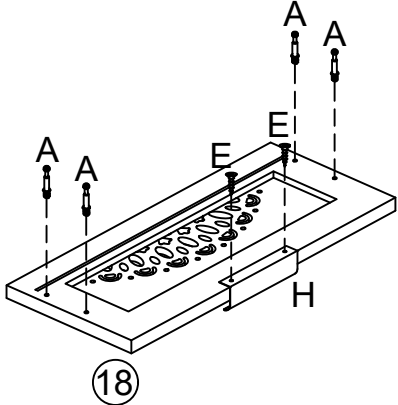
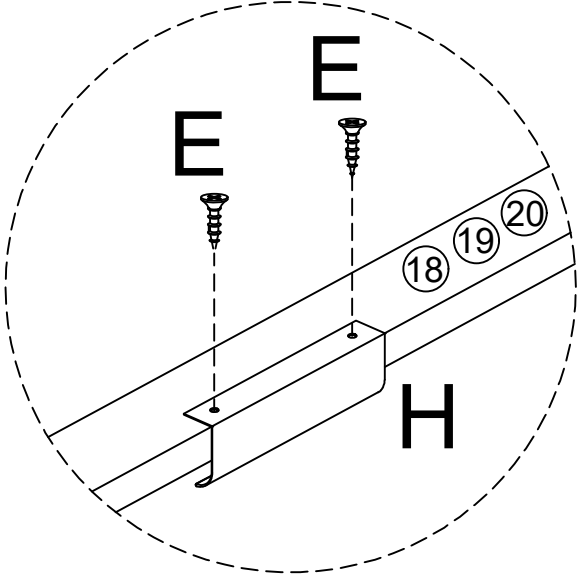
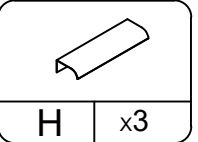
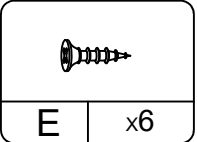
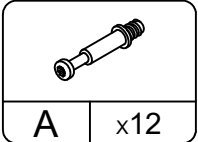
	
I	x8
J	x8



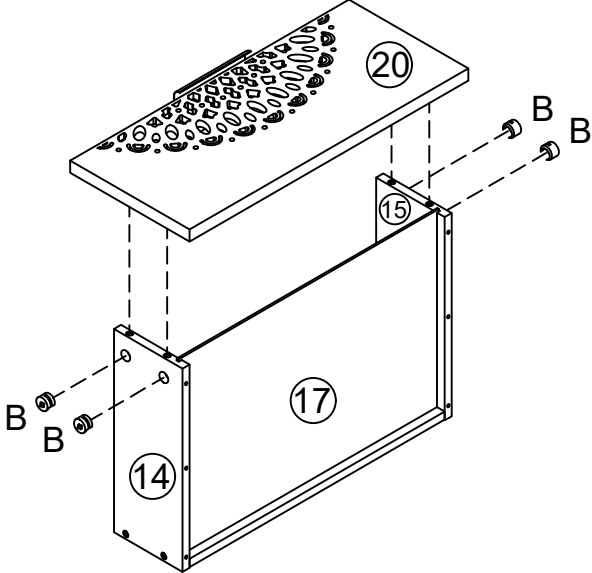
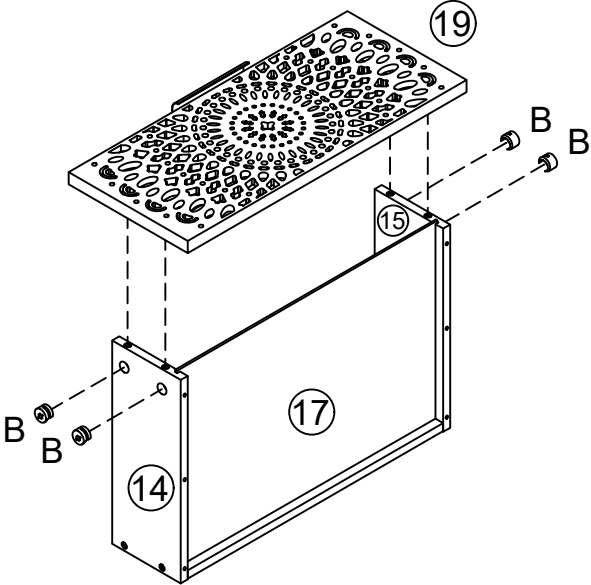
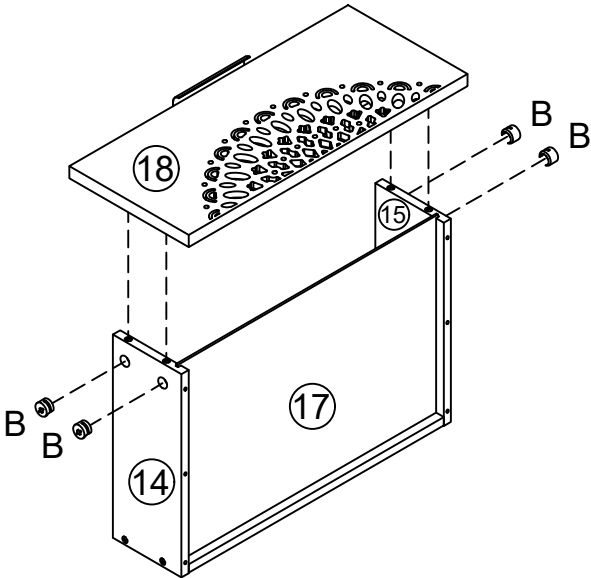
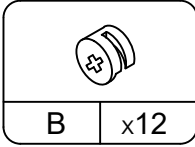
Step 11




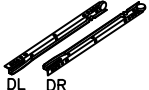
Step 12

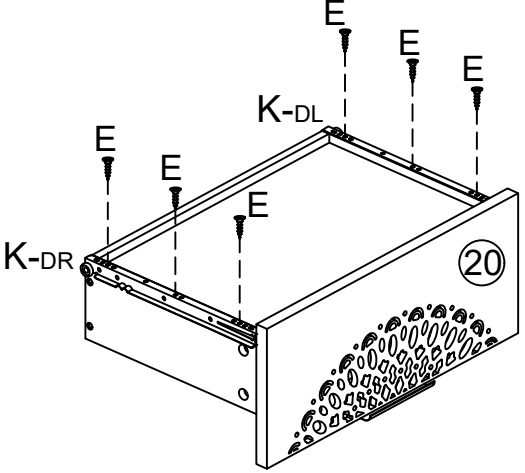
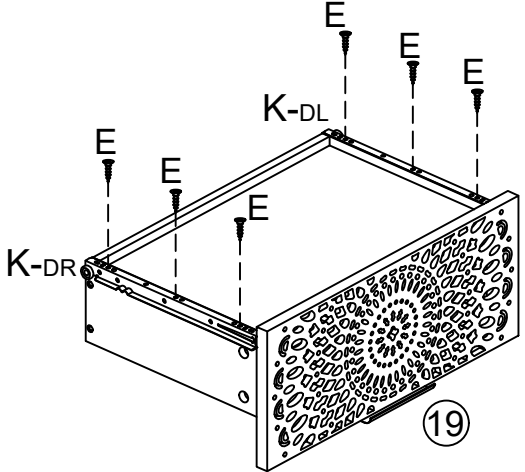
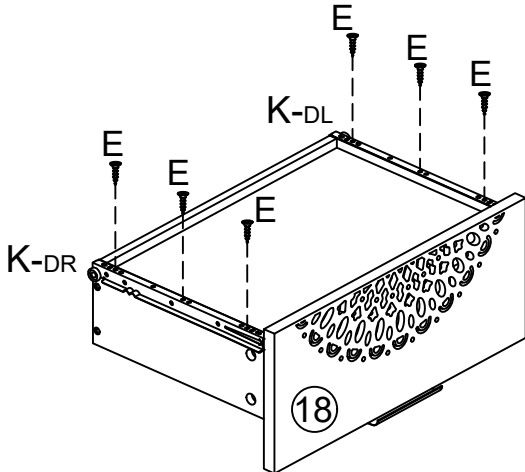
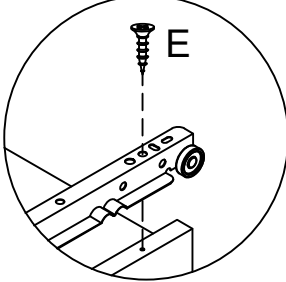
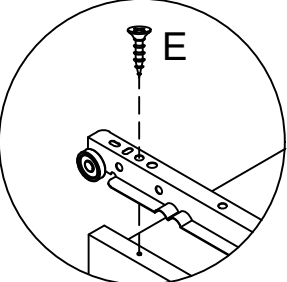
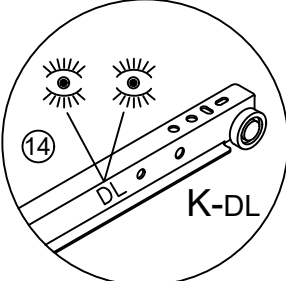
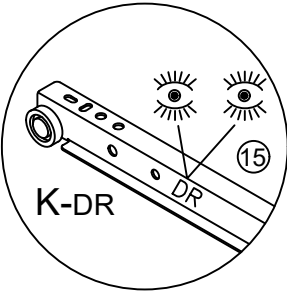


Step 13

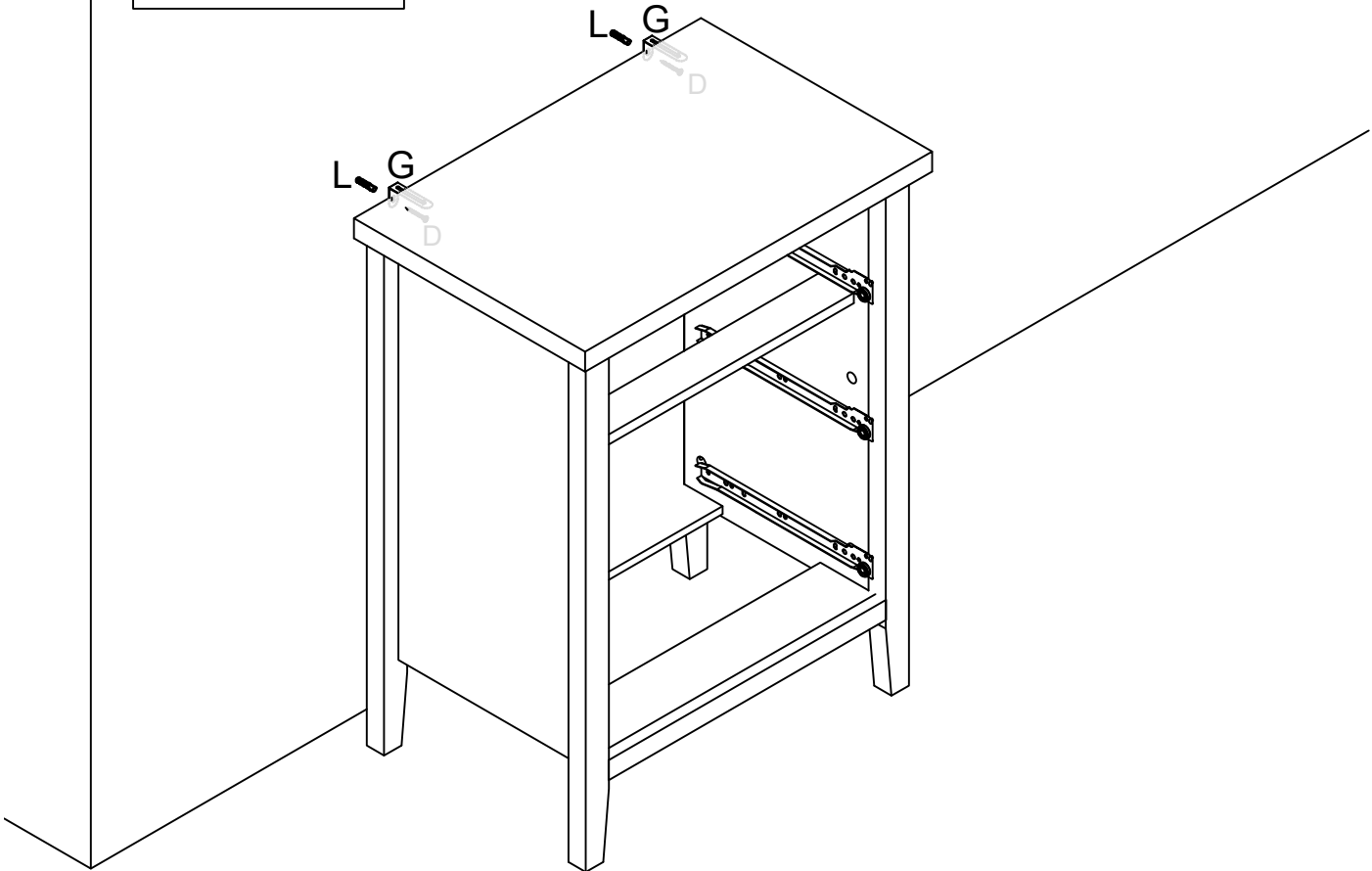
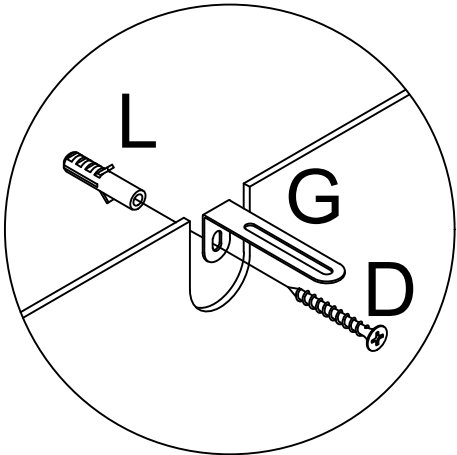
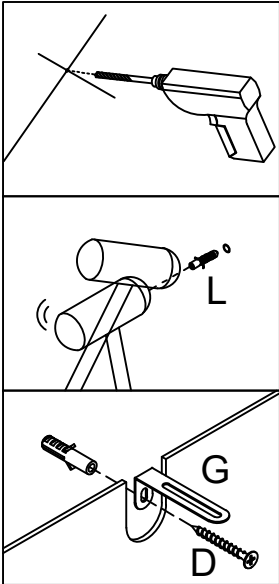
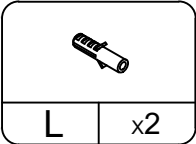
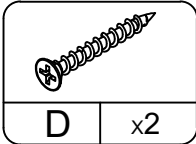


Step 14

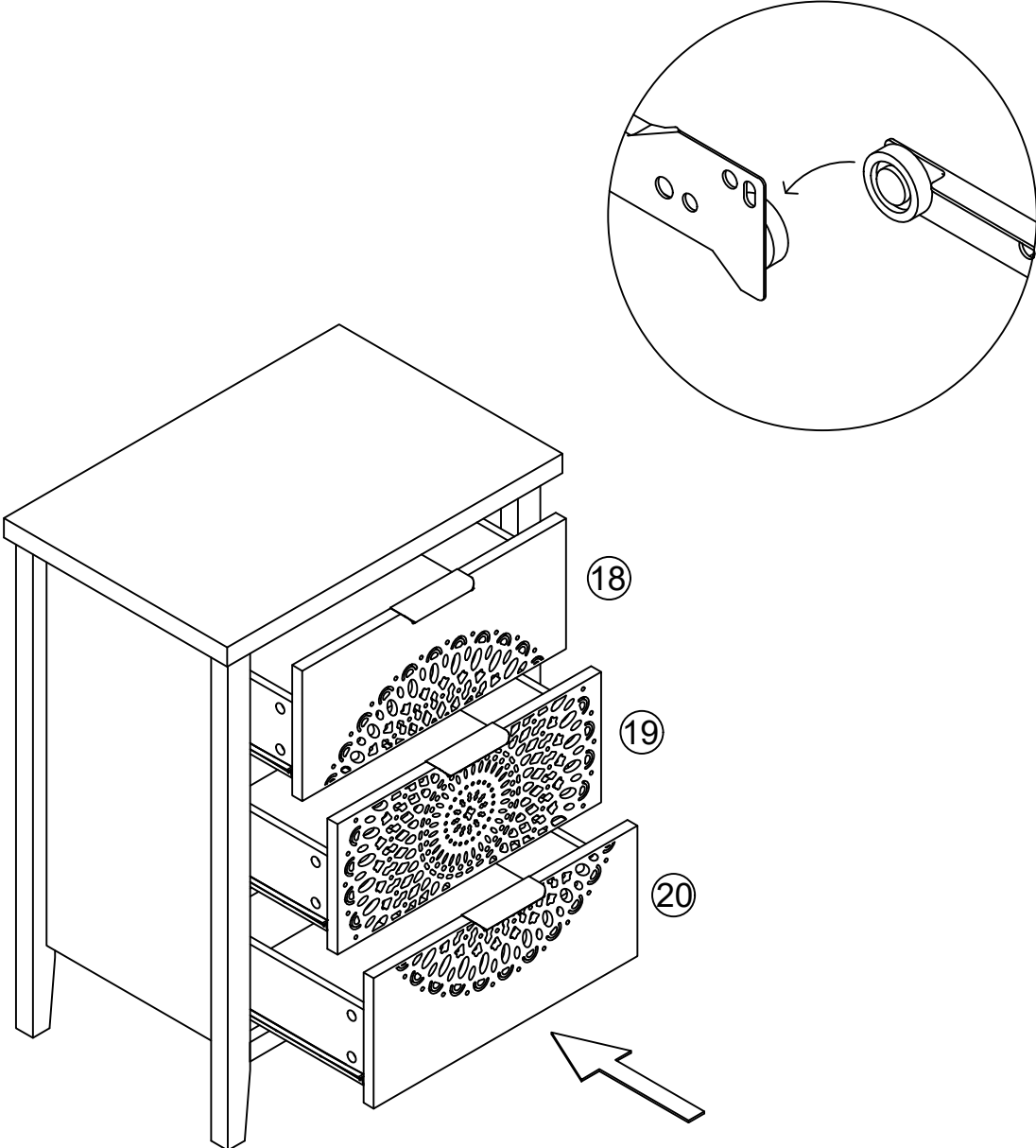
			
E	x18	K	x3



Step 15



Step 16



Proper Use

- DO NOT use for commercial purposes
- DO NOT use as a step stool or stand on table
- DO NOT put hot serving liquid directly on the table top
- DO NOT leave spilled liquid on the table top
- DO NOT use table if damaged
- DO NOT exceed weight limit
- DO NOT make temporary repairs
- DO NOT use outdoor

Dear Customer :

Thank you for purchasing our product,we wish you satisfy our service,if you have any further questions or any quality issues, please show the belows number and don't hesitate to contact our Customer Service People:

W688202409