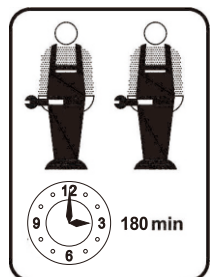
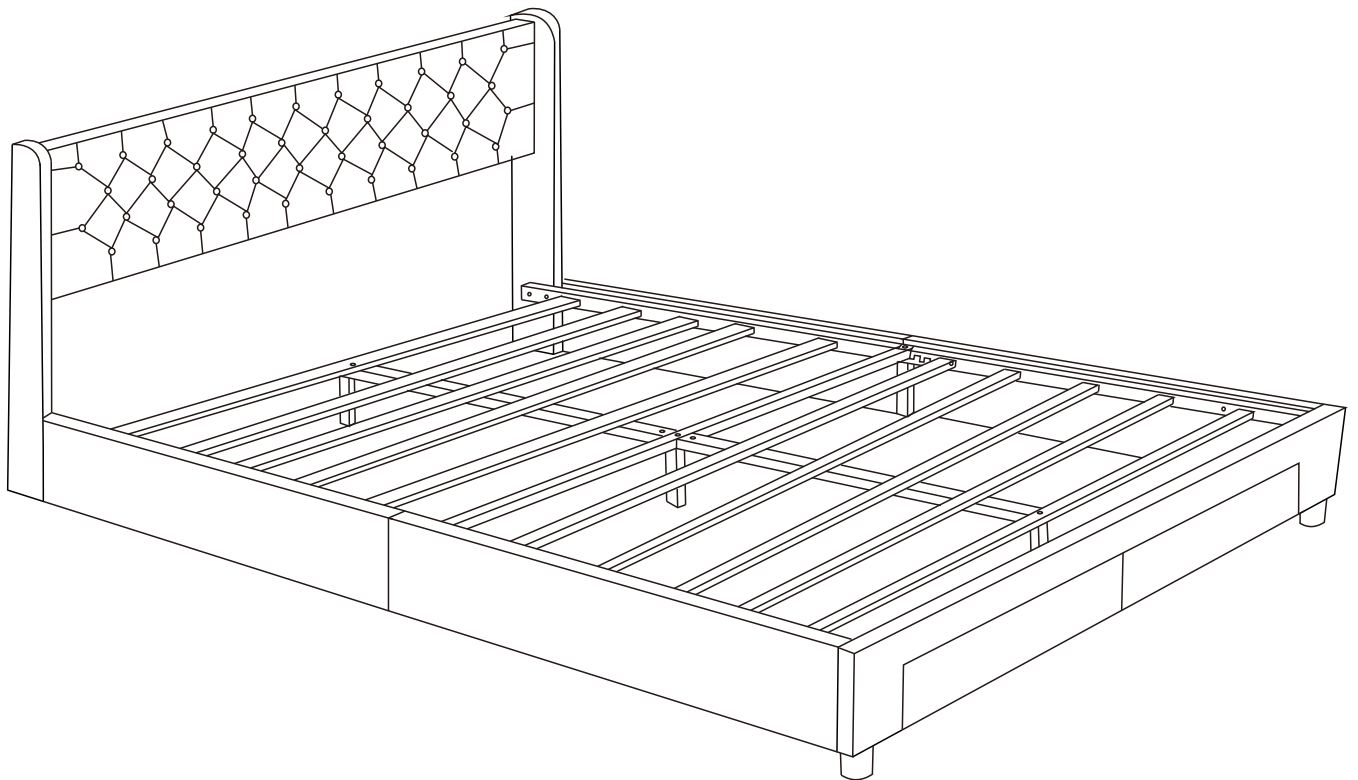


ASSEMBLY INSTRUCTIONS

This set comes in 2 boxes. If you do not receive a full 2 boxes, please contact our customer service.

BED 90*190cm

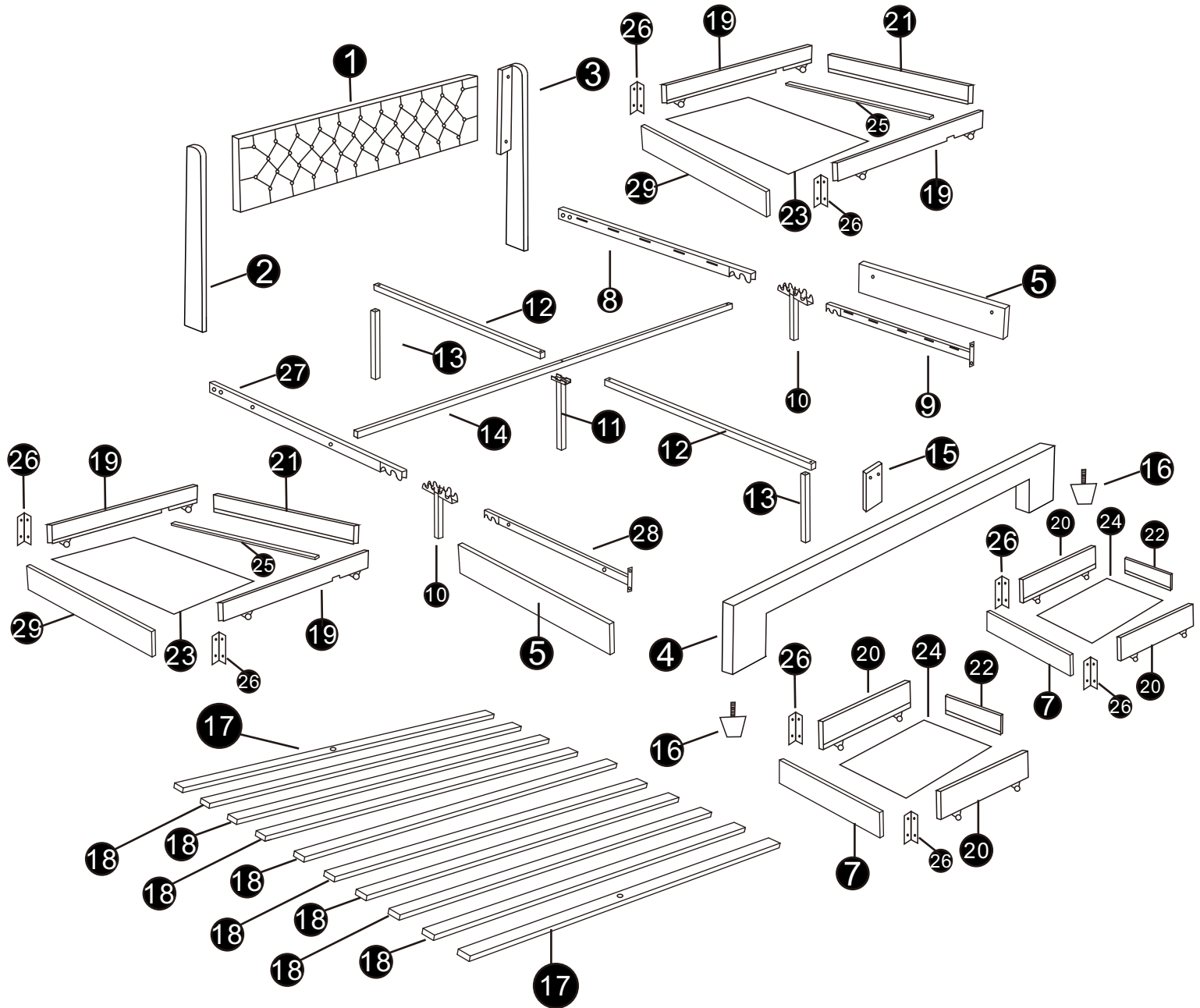


INSTRUCTIONS

IMPORTANT-READ CAREFULLY-RETAIN FOR FUTURE REFERENCE

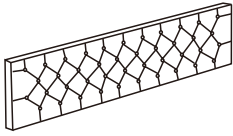
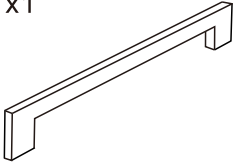
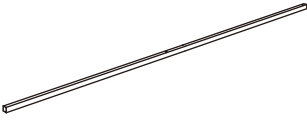
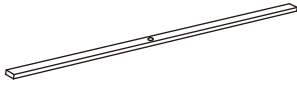


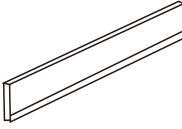
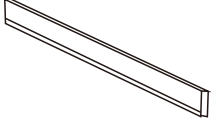

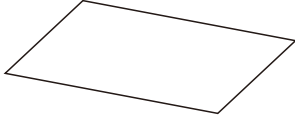
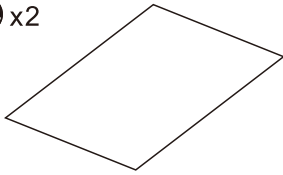

- a) WARNING** -Children can become trapped between the bed and the wall, the adjoining pieces of furniture (e.g. cupboards) and the Ikea. To avoid risk of serious injury the distance between the safety barrier and the adjoining structure shall not exceed 75 mm or shall be more than 230 mm.
- b) WARNING**-Do not use the bed if any structural part is broken or missing; Replacement parts are between requested from the manufacturer or the store.
- c) WARNING**-Do not climb or wiggle on any non-designated structures.
- d)** It is imperative to always follow the installation instructions and manufacturer's use.
- e)** The recommended size of the mattress to be used with the bed is **90x190cm**, maximum thickness mattress:**20cm**.
- f)** It is necessary to ventilate the room in order to maintain a low level moisture and prevent mold growth in the bed and its periphery.
- g)** Joining devices should always be tightened properly and regularly verified. Tighten if necessary.

EXPLODED VIEW


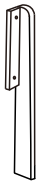
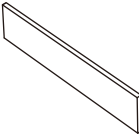
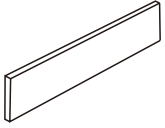
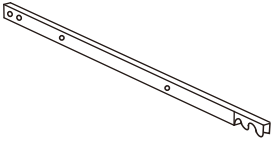
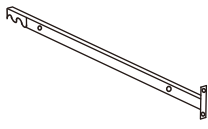
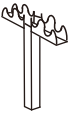
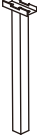
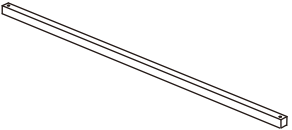


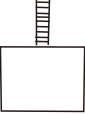

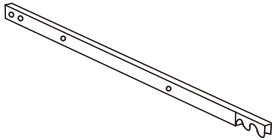
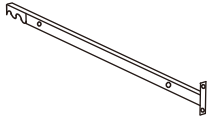
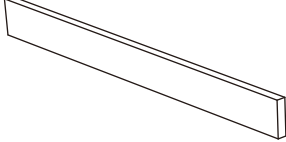


PARTS LIST

N604P186885G

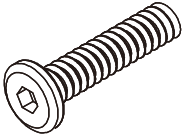

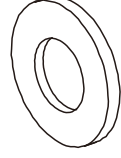
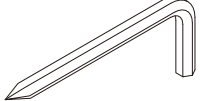

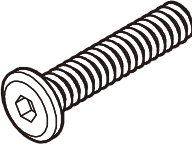
1 x1 	4 x1 	14 x1 	17 x2 
18 x8 	19 x4 	20 x4 	21 x2 
22 x2 	23 x2 	24 x2 	25 x2 

N604P186886G

2 x1 	3 x1 	5 x2 	7 x2 
8 x1 	9 x1 	10 x2 	11 x1 
12 x2 	13 x2 	15 x1 	16 x2 
26 x8 	27 x1 	28 x1 	29 x2 

PARTS LIST

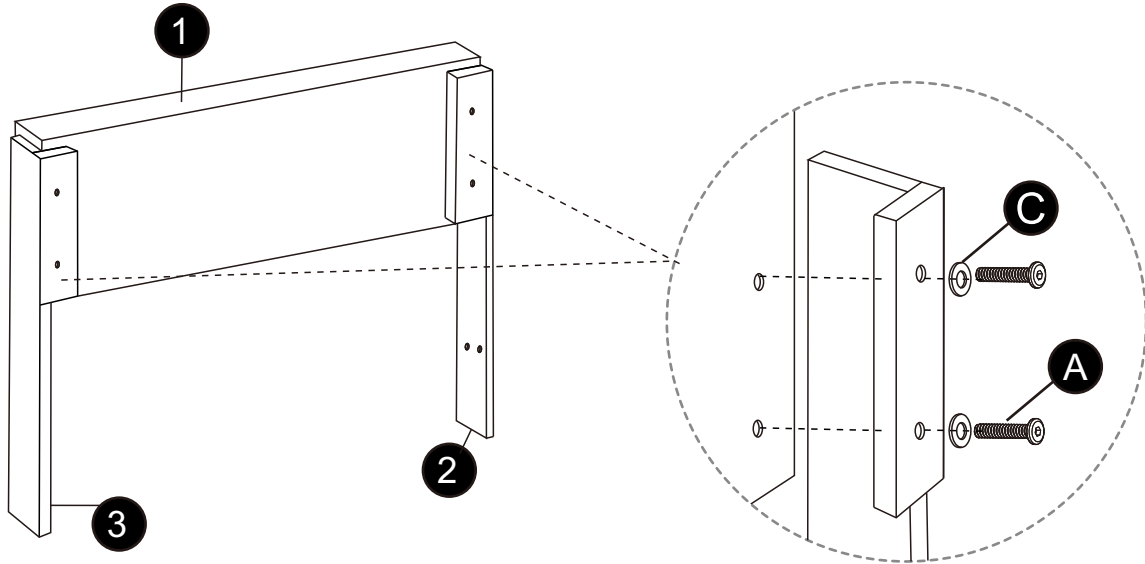
Hardware List N604P186886G



<p>A:x19</p>  <p>M6*30mm</p>	<p>B:x40</p>  <p>M6*20mm</p>	<p>C:x6</p> 	<p>D:x1</p> 
<p>E:x20</p>  <p>M4*25mm</p>	<p>G:x2</p>  <p>M6*50mm</p>		

ASSEMBLY

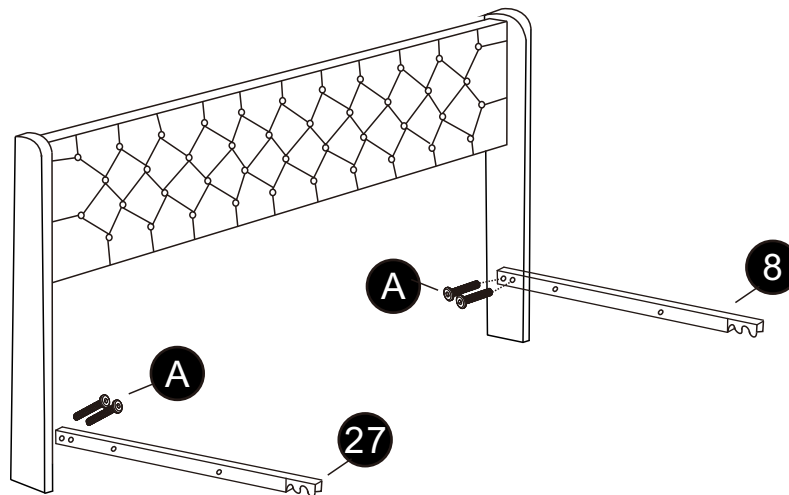
Note: Please do not tighten all bolts until the bed is assembled completely.

Step 1



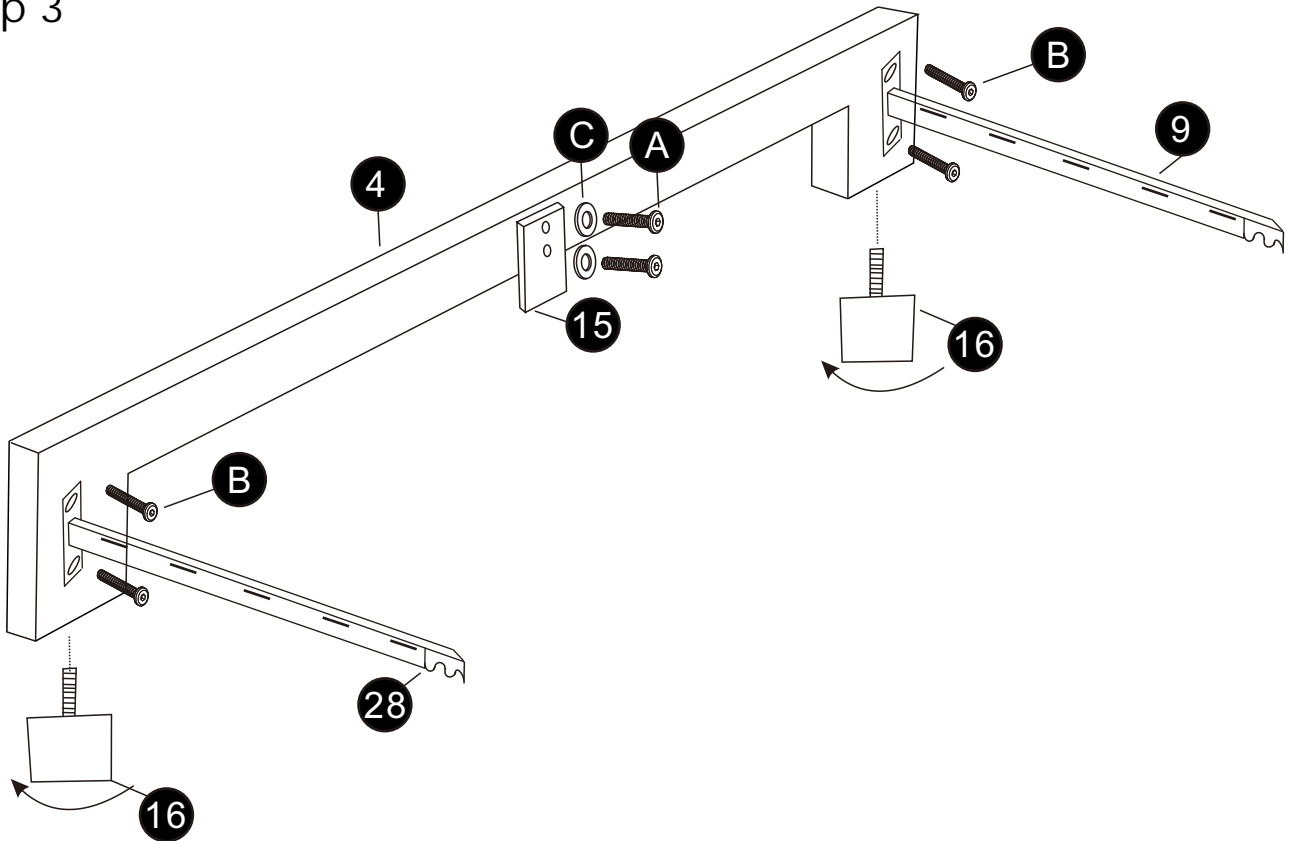
A		M6*30mm	4
C		M8	4




Step 2



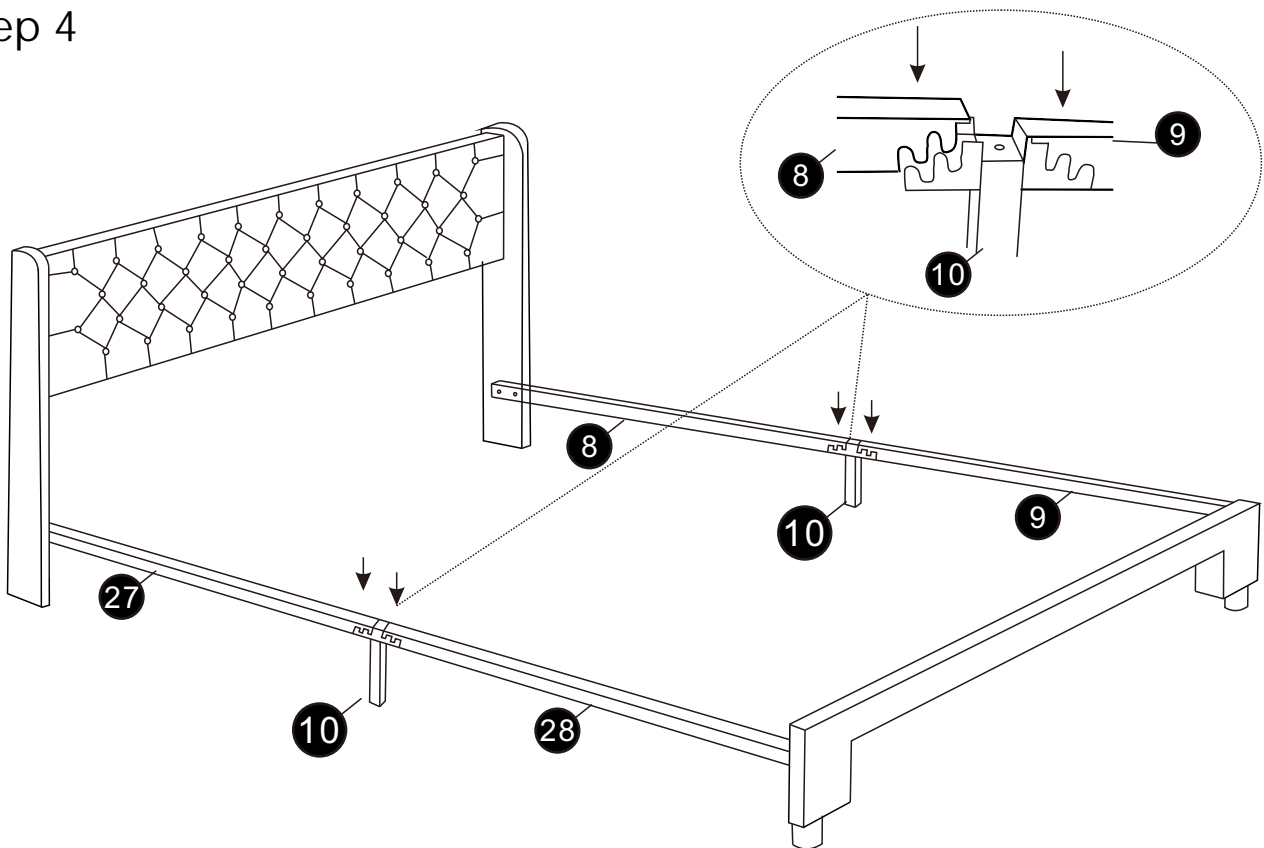
A		M6*30mm	4
---	---	---------	---

Step 3

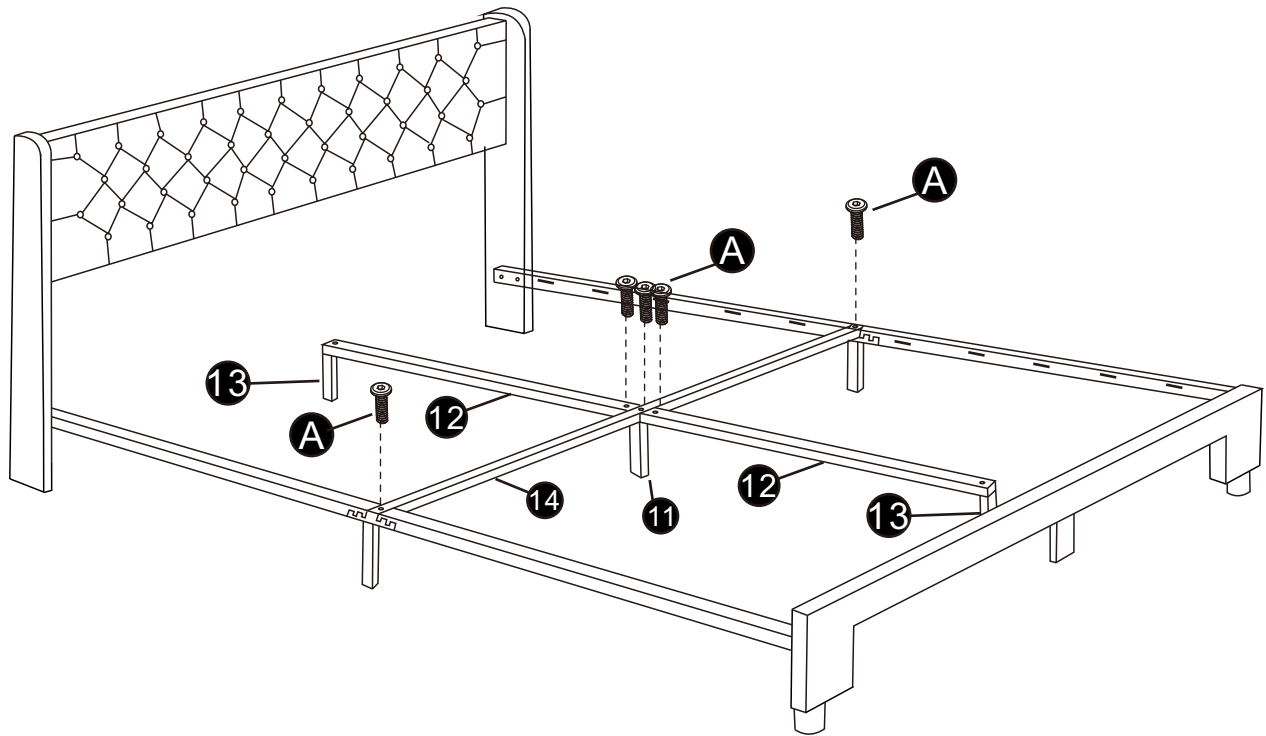


A		M6*30mm	2
B		M6*20mm	4
C		M8	2

Step 4

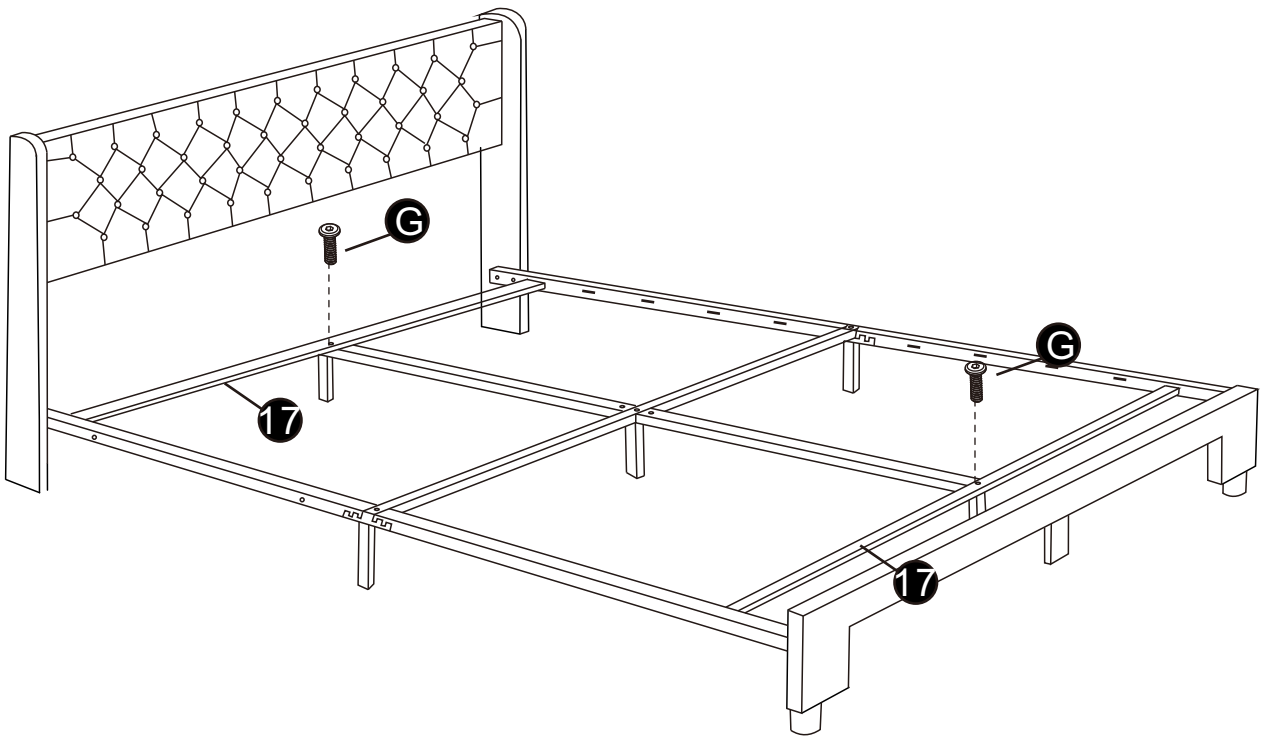


Step 5



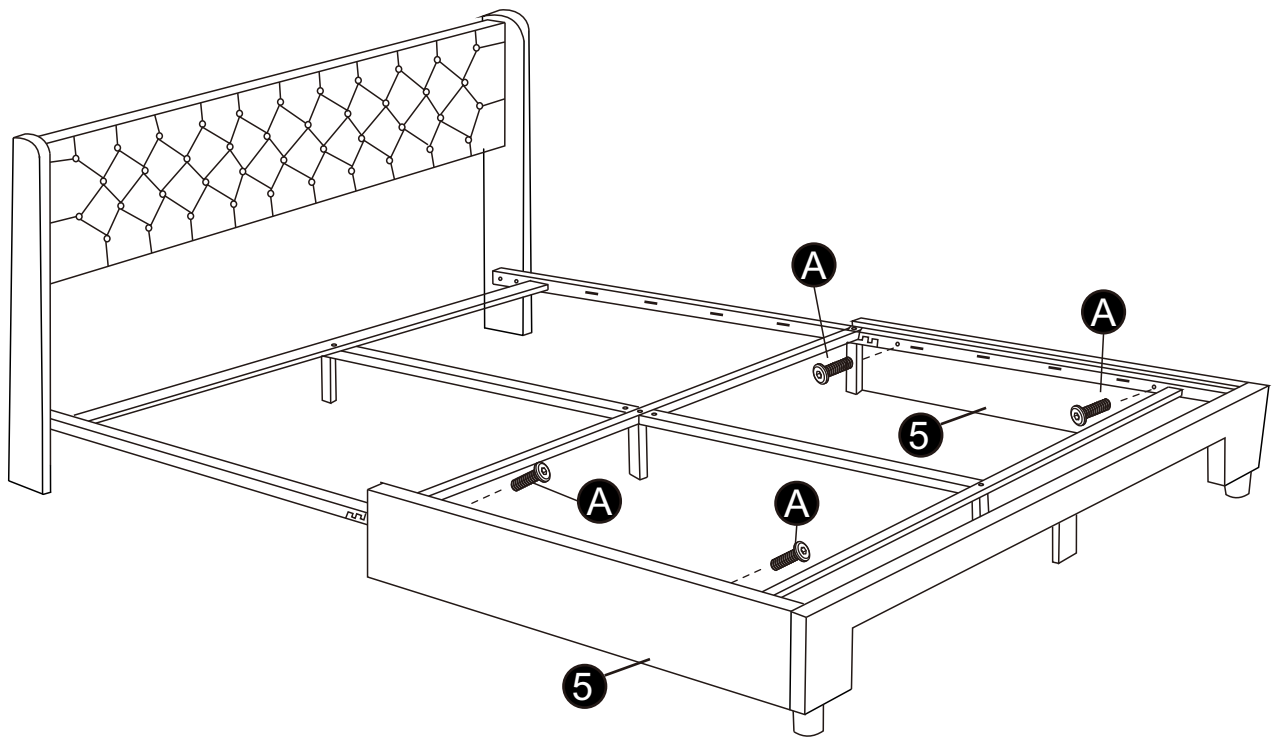
A  M6*30mm 5

Step 6



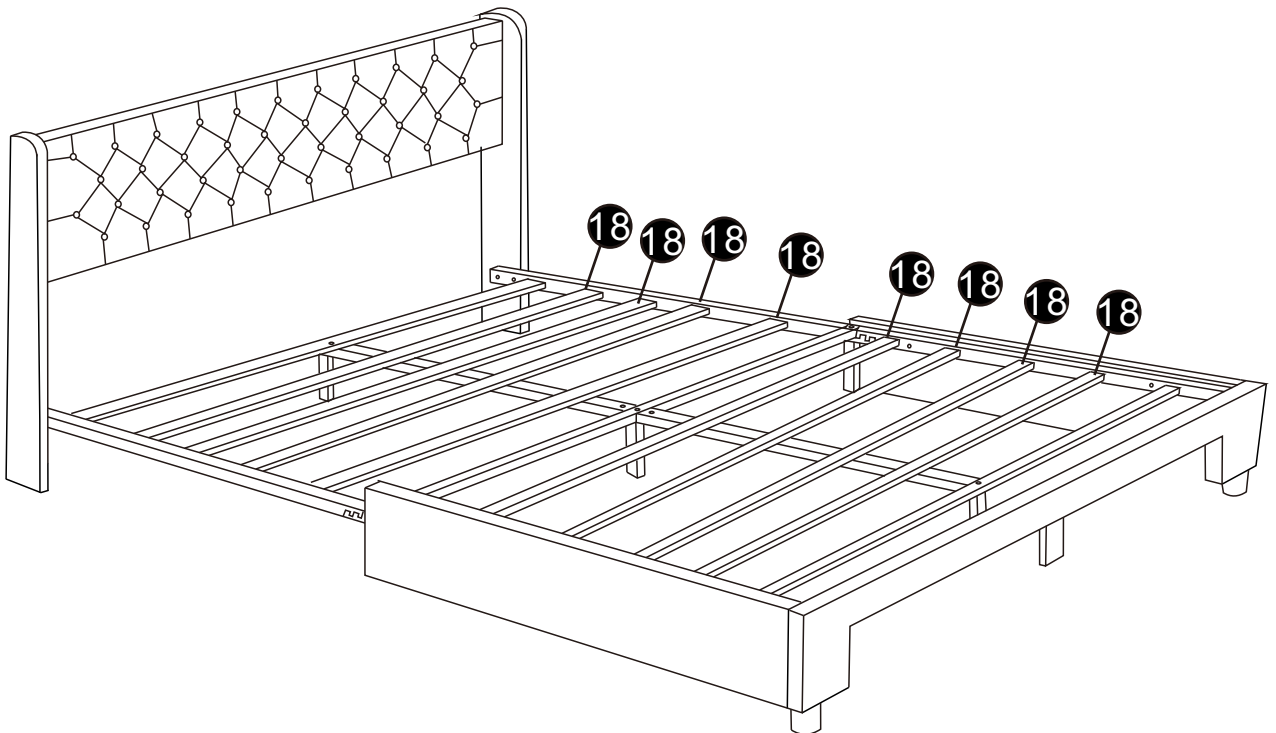
G  M6*50mm 2

Step 7



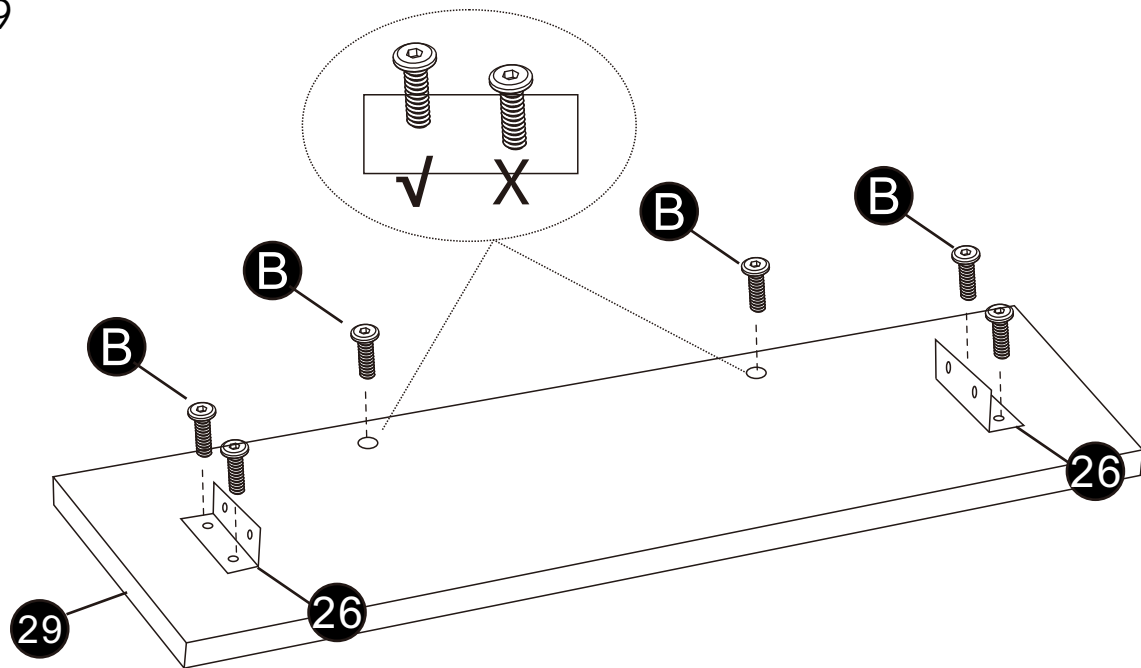
A  M6*30mm 4

Step 8



Step 9

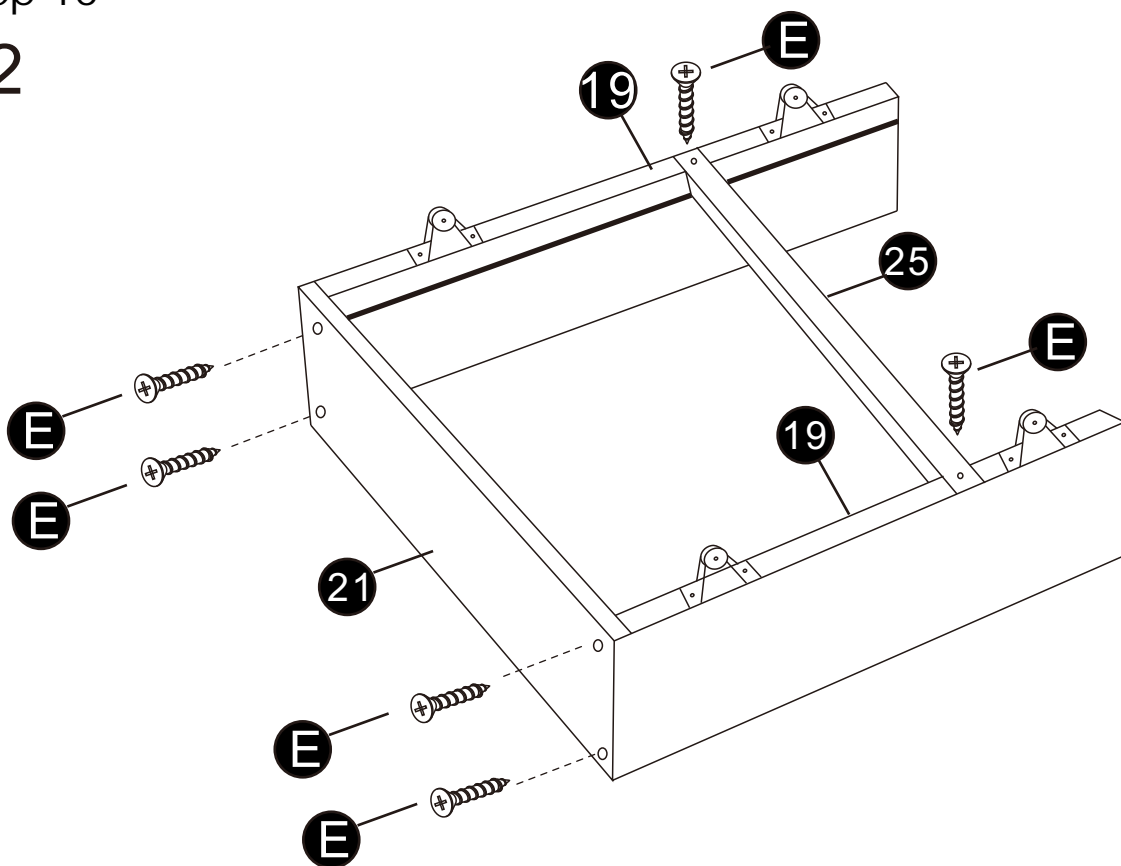
x2



B  M6*20mm 12

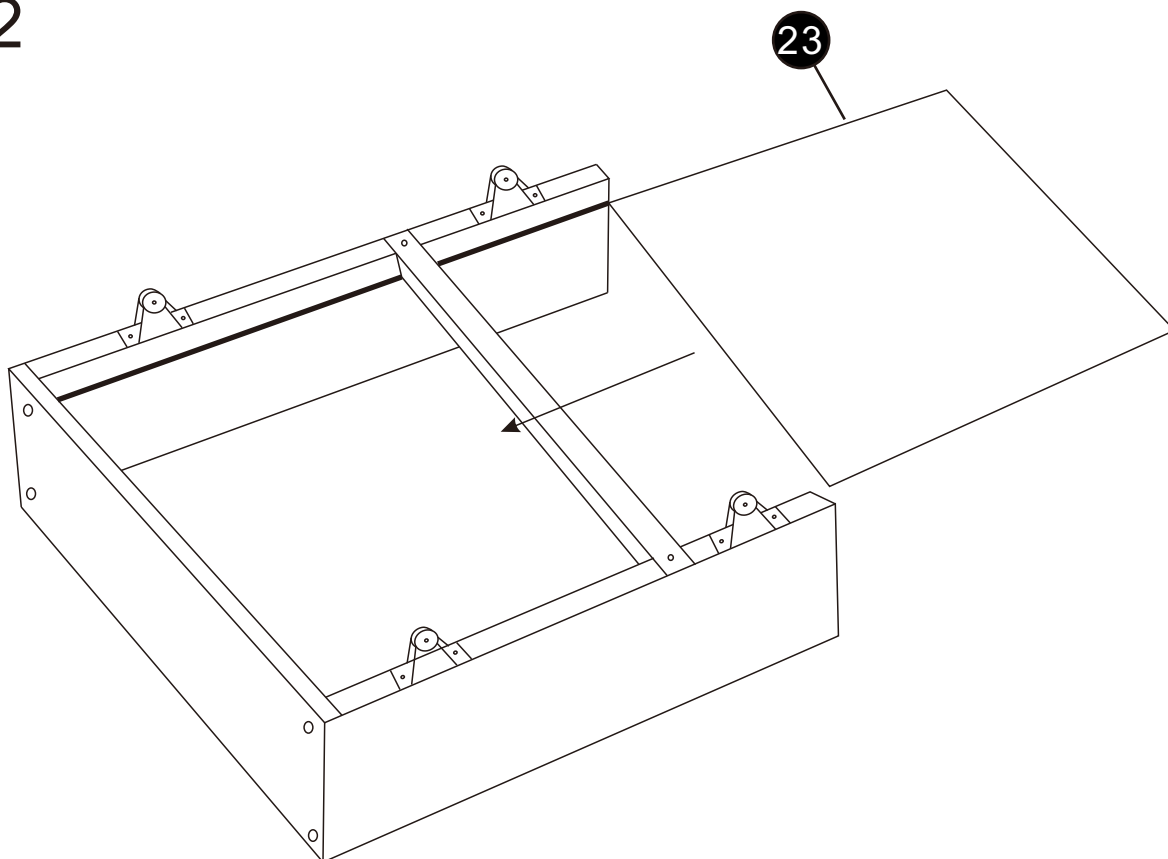
Step 10

x2

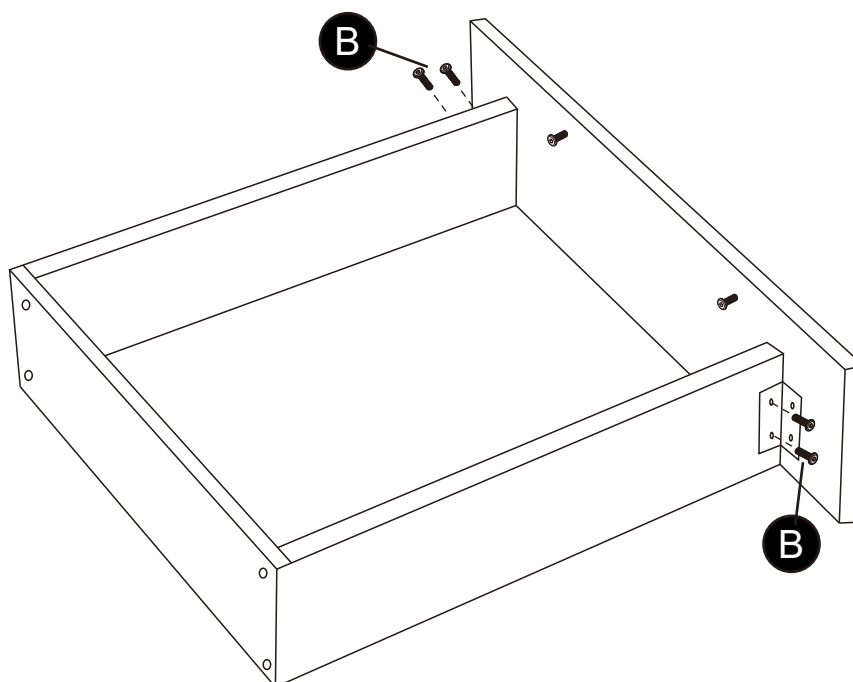


E  M4*25mm 12

Step 11
x2

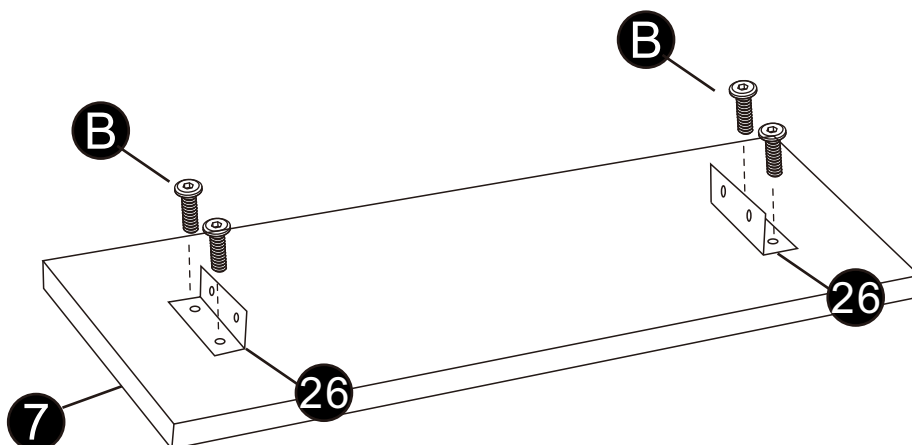


Step 12
x2



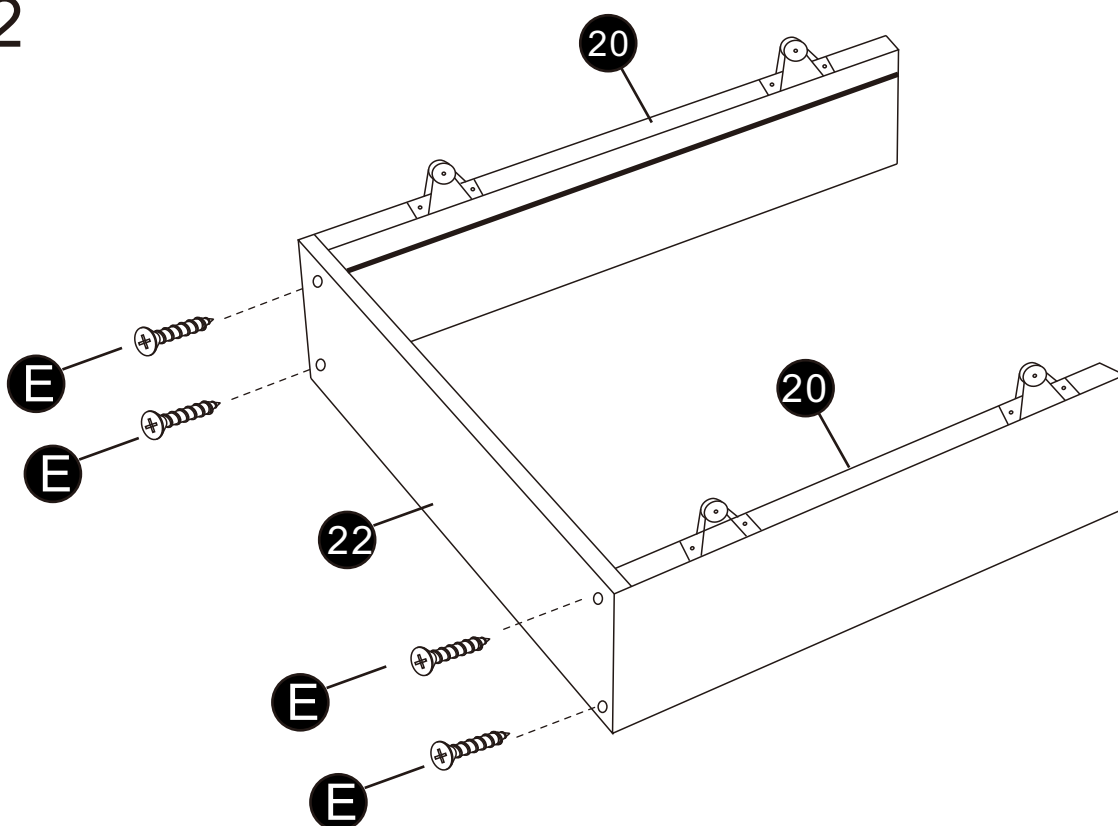
B		M6*20mm	8
---	---	---------	---

Step 13
x2



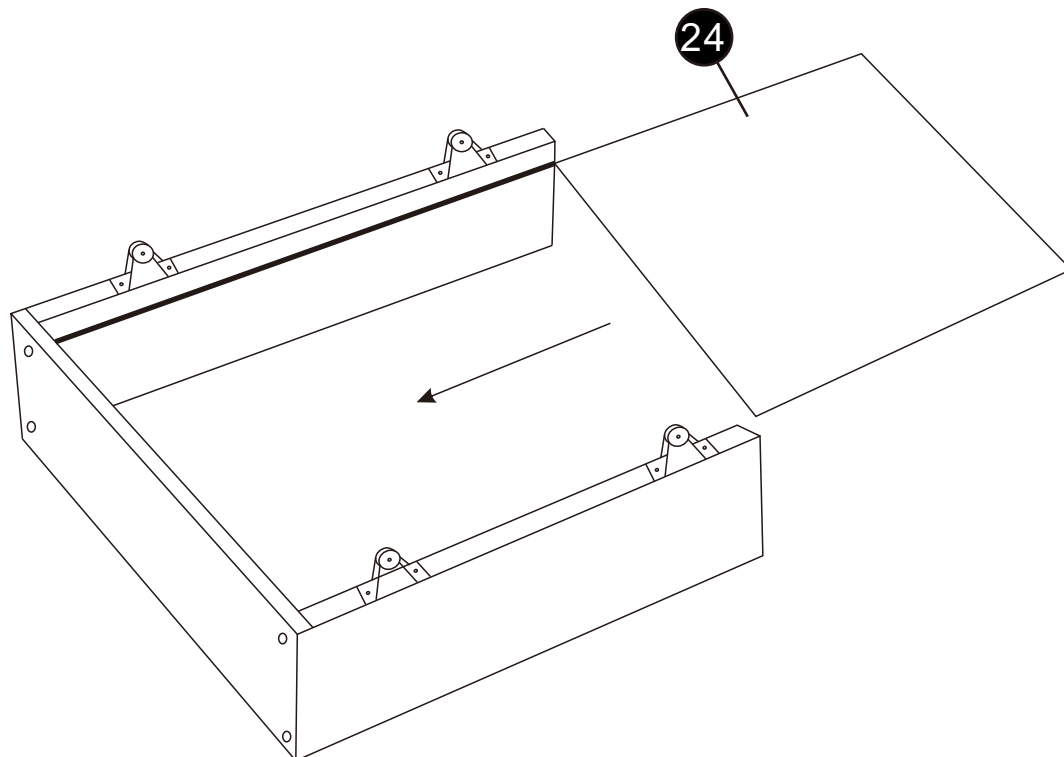
B		M6*20mm	8
---	---	---------	---

Step 14
x2

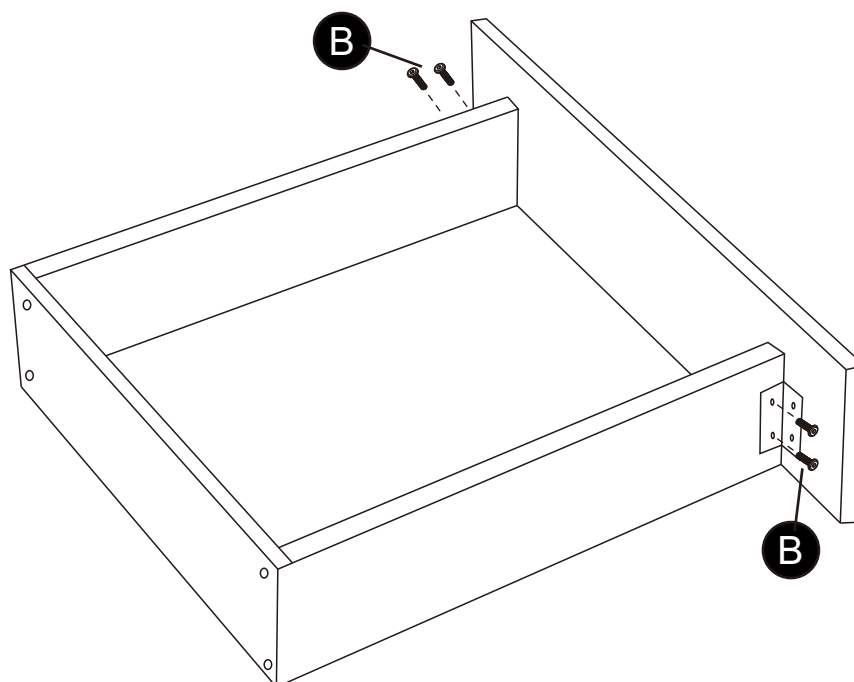


E		M4*25mm	8
---	---	---------	---

Step 15
x2

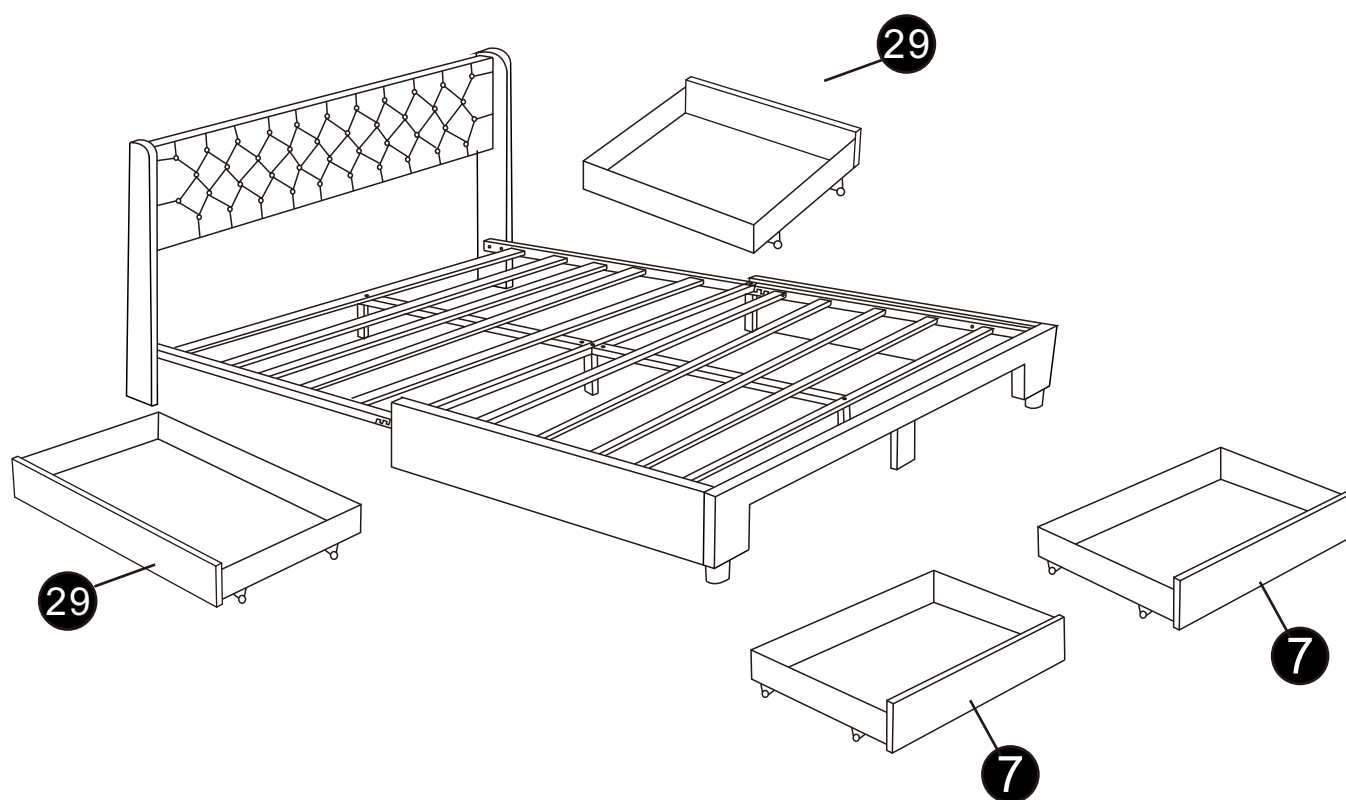


Step 16
x2



B		M6*20mm	8
---	---	---------	---

Step 17



Step 18

