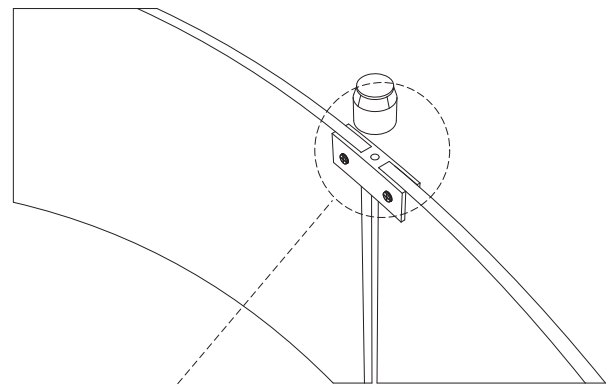
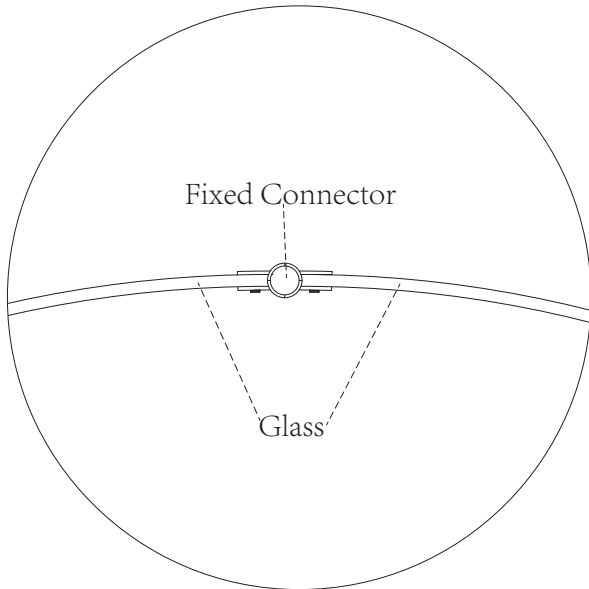
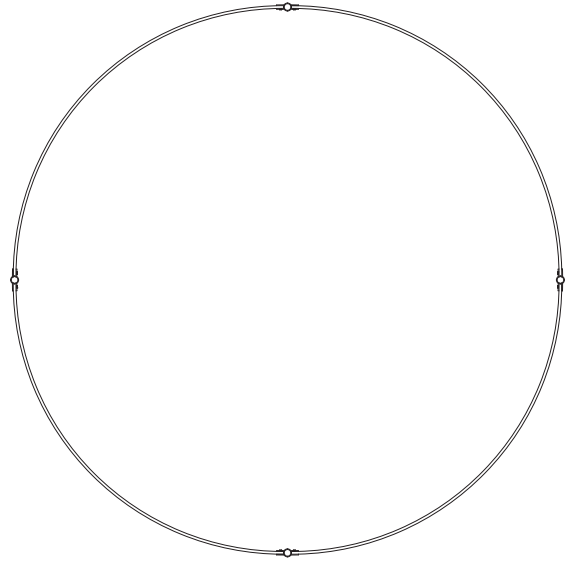
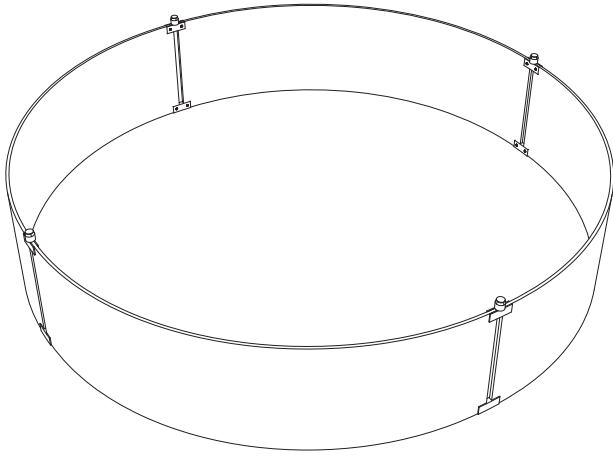


Installation Precaution



The glass needs to be fully snapped into the grooves of the fixed connector

- 1) Once you have installed all the fixed connectors on the windshield cover and it has formed a circle, adjust the distance between the four pieces of glass and the fixed connector, so that the edges of the glass are fully snapped into the fixed connector grooves.
- 2) To tighten the screws, you need to use a screwdriver gently, and when you feel that you can't screw it in, rotate it half a turn to a turn.