

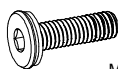




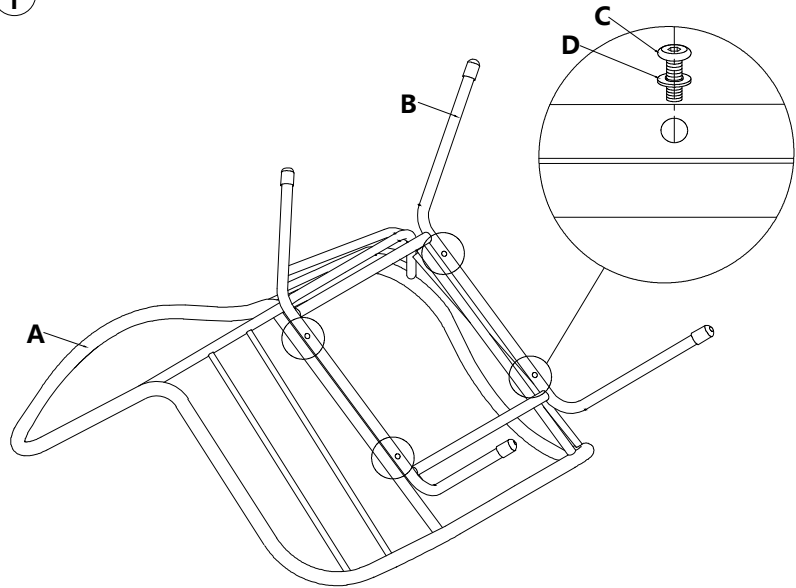


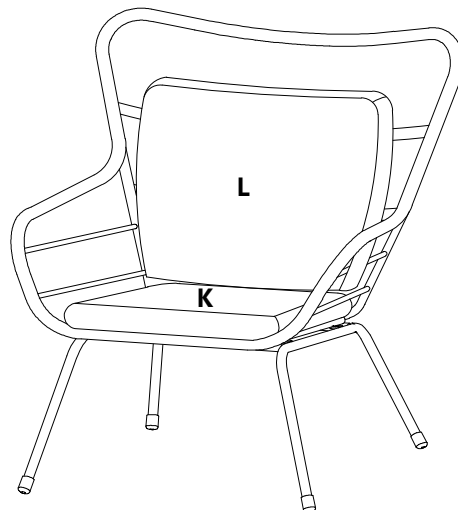
# ASSEMBLY INSTRUCTIONS

<b>A</b>		<b>1</b>
<b>B</b>		<b>1</b>
<b>C</b>	 M6*35mm	<b>4</b>
<b>D</b>	 Φ13*Φ6.5*1.0mm	<b>4</b>
		
<b>k</b>		<b>1</b>
<b>L</b>		<b>1</b>

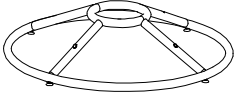
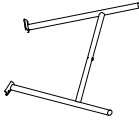
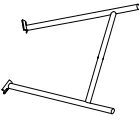

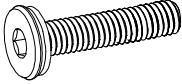
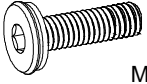

①

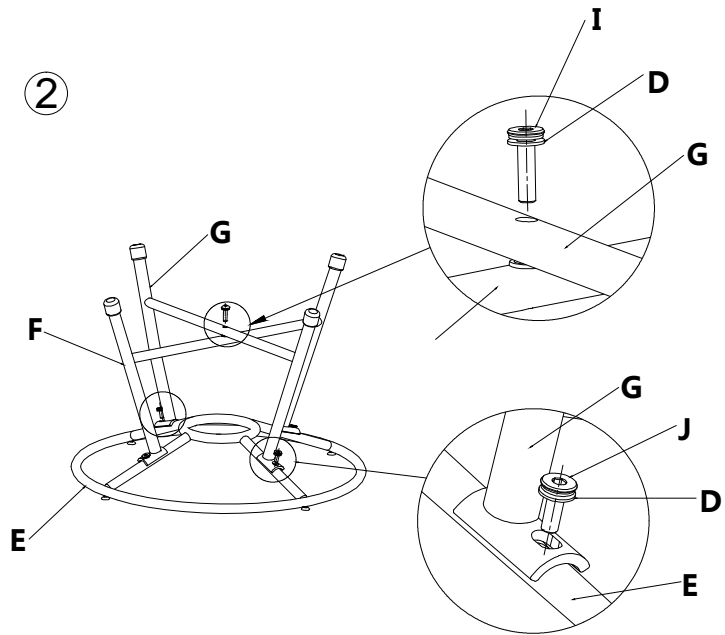
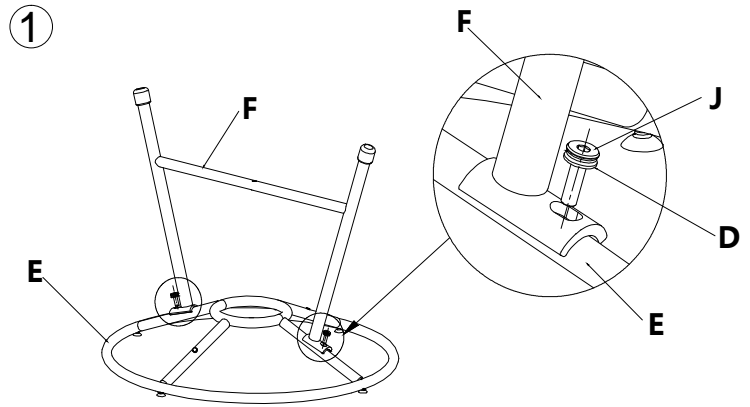


②



# ASSEMBLY INSTRUCTIONS

<b>E</b>		<b>1</b>
<b>F</b>		<b>1</b>
<b>G</b>		<b>1</b>
<b>H</b>		<b>1</b>
<b>I</b>	 M6*30mm	<b>1</b>
<b>J</b>	 M6*20mm	<b>4</b>
<b>D</b>	 Ø13*Ø6.5*1.0mm	<b>5</b>



④



③

