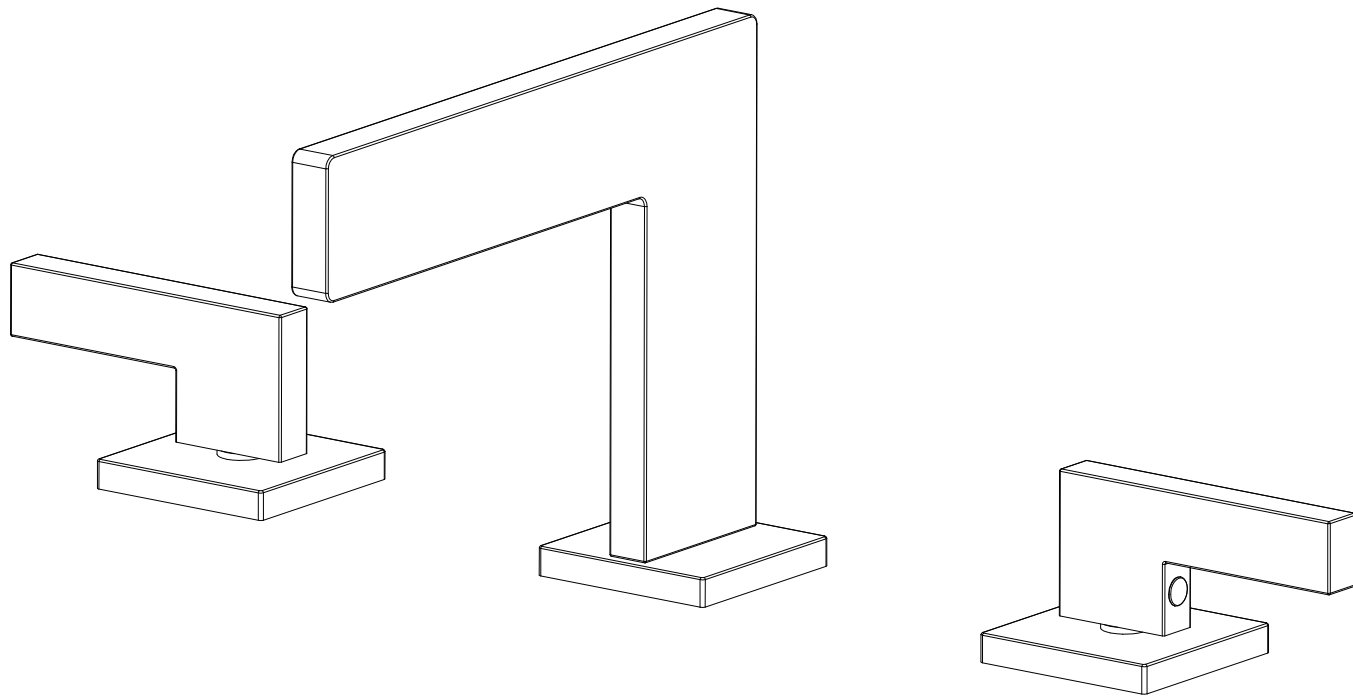


INSTALLATION GUIDE**Widespread Bathroom Sink Faucet**

MODEL	FINISH
S1419W-CH	CHROME
S1419W-BN	BRUSHED NICEKL
S1419W-MB	MATTE BLACK
S1419W-BG	BRUSHED GOLD
S1419W-MG	MATTE BLACK AND BRUSHED GOLD

HOT LINE: +1-866-203-0866

THANK YOU

Dear Valued Customer,

SUMERAIN would like to take this opportunity to thank you for purchasing SUMERAIN products. It is our sincere hope that you are completely satisfied with your new purchase. All SUMERAIN products are carefully engineered, and factory tested to provide long trouble-free use under normal conditions. This product is easy to install using basic tools and our easy to follow illustrated instructions. We welcome any questions or comments you may have and look forward to assisting you in the future. If you have any questions regarding this product, call +1-866-203-0866 or email to supports@sumerain.com.

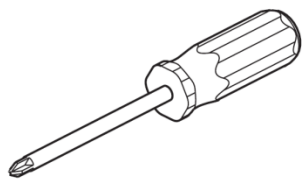
Sincerely,

SUMERAIN customer service department

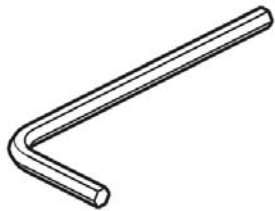
BEFORE PROCEEDING

1. Unpack your new product and ensure that all the parts are contained in the packaging. Keep the product in its original box until you ready to install it.
2. Locate water supply inlets and shut off the water supply valves. These are usually found near the water meter. if you are replacing an existing unit, remove the old unit and clean the mounting surface thoroughly.
3. Observe all plumbing and building codes in your area.
4. It is recommends calling professional if you are uncertain about installing this product.

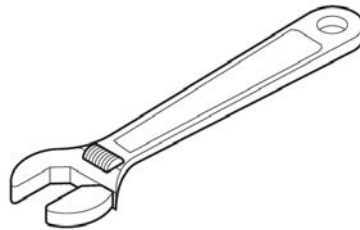
TOOLS RECOMMENDED



Philips screwdriver



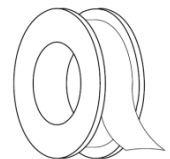
Allen wrench



Adjustable wrench



Channel locks



Thread Sealant

LIMITED LIFETIME CONSUMER WARRANTY

VERSION: 231012.15.3

This product has been manufactured and tested to the highest quality standards by HONGKONG SUMERAIN SANITARY INDUSTRY Co., Limited ("SUMERAIN"). This warranty applies solely to SUMERAIN products purchased by consumers in the United States after January 1st, 2020. In the event of a faucet experiencing leaks or drips during regular usage, SUMERAIN will provide the necessary faucet cartridge to the purchaser, free of charge, in order to restore the faucet to proper working condition. If any defects are identified during normal residential use, SUMERAIN will, at its discretion, perform repairs, provide replacement parts or products, or make appropriate adjustments to ensure the product's optimal functionality.

WHO IS COVERED BY THE WARRANTY

This warranty provides exclusive coverage to the original consumer purchaser, including those who have made purchases through online retail platforms. However, online retail customers who are specifically covered by the "Online CONSUMER Limited Lifetime WARRANTY & Return policy" are also included. Please note that this warranty is non-transferable and cannot be assigned to any other party.

WHAT IS COVERED BY THE WARRANTY

This warranty is applicable only to the SUMERAIN manufactured product that you have purchased. SUMERAIN provides the following warranty against defects in material or workmanship: under normal installation, use, service, and maintenance, if the product or any of its components prove to be defective due to improper workmanship or materials, SUMERAIN will, at its discretion, provide free replacement parts or replace the entire product.

FINISH WARRANTY

Customers are responsible for thoroughly inspecting the product for any material or finish defects within three days of receiving it. Please note that SUMERAIN does not cover surface finish defects under warranty once the fixture has been installed.

ELECTRONIC FAUCETS WARRANTY

SUMERAIN guarantees its LED components, including electronic faucets, valves, controllers, and battery-powered devices, against material and manufacturing defects for one year from the date of purchase, under normal use. The water flow impeller power device (LED faucet power generation device) is guaranteed to be free from manufacturing defects for the first three months from the date of purchase.

LENGTH OF WARRANTY

As stated in the following, any replacement or repaired parts of the product will be covered for the duration of this warranty, which SUMERAIN provides for a period of 1 year from the original date of purchase.

CIRCUMSTANCES THAT SUMERAIN WILL NOT WARRANT AND PAY FOR:

- A. Conditions, malfunctions, or damage that do not result from defects in material or workmanship.
- B. Conditions, malfunctions, or damage resulting from normal wear and tear, improper installation, improper maintenance, misuse, abuse, negligence, accidents, alterations, or the use of abrasive or caustic cleaning agents, "no-rinse" cleaning products, or the product in a manner contrary to the provided instructions. This includes home conditions such as excessive water pressure or corrosion.
- C. Labor or other expenses associated with disconnection, deinstallation, or return of the product for warranty service, as well as installation or reinstallation of the product.
- D. Accessories, connected materials, and products (including but not limited to hand shower flexible hose, spray flexible hose, hand shower, shower head), or related products that are not manufactured by SUMERAIN.

TO OBTAIN WARRANTY PARTS OR INFORMATION

To obtain warranty parts or information professionally, please follow the steps below:

Contact your SUMERAIN retailer or dial the technical service phone number at +1-866-203-0866, or send an email to supports@sumerain.com.

When applying for warranty service, you will need to provide the following information:

- a. Sales receipt or other evidence of purchase date and platform.
- b. Detailed description of the problem.
- c. Ship the product or defective parts to the designated Sumerain warehouse in the United States with prepaid postage. Please ensure careful packaging and insurance of the items. Once the warranty service is completed, any repaired or replaced products or parts will be shipped back to you with prepaid postage.

If you have any further questions or need additional assistance, please contact the provided contact information.

EXCLUSIONS & LIMITATIONS

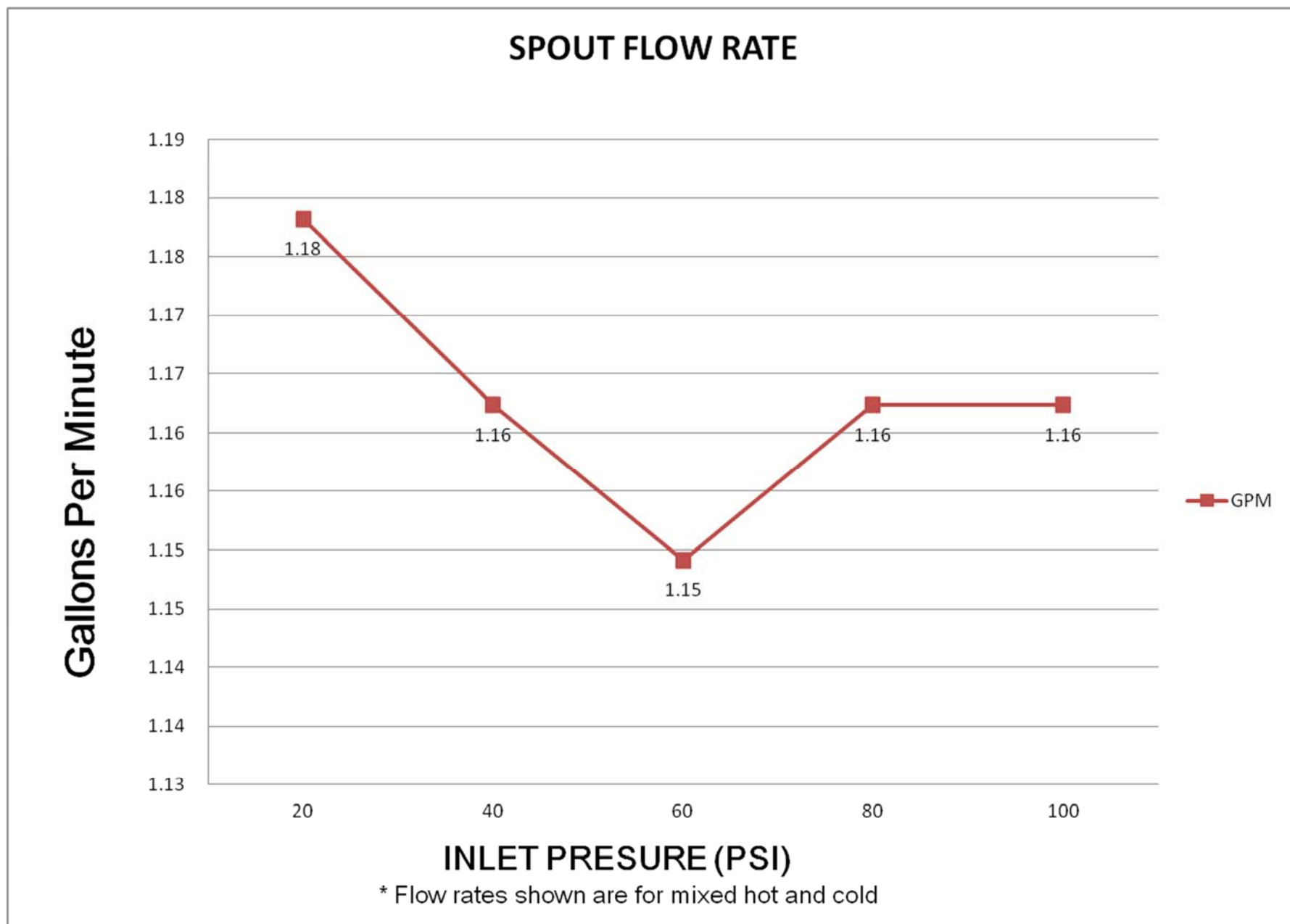
Pursuant to the terms of this warranty, repair, replacement (or, in limited circumstances, refund of the purchase price) shall be the sole remedy available to the purchaser. SUMERAIN assumes no obligations or liabilities and does not authorize any individual to create obligations or liabilities in relation to this product. SUMERAIN shall not be held liable to the purchaser or any party for any incidental, special, or consequential damages resulting from a breach of this warranty or any implied warranties (including merchantability). Please note that certain states do not allow the exclusion or limitation of incidental or consequential damages, therefore the aforementioned limitation or exclusion may not apply to you. This warranty grants you specific legal rights, and you may also have additional rights that vary from state to state. Before initiating any legal proceedings against us under the Magnuson-Moss Warranty Act, you may be legally required to provide us with a reasonable opportunity to rectify or resolve any non-compliance.

PRODUCT INSTRUCTIONS & QUESTIONS

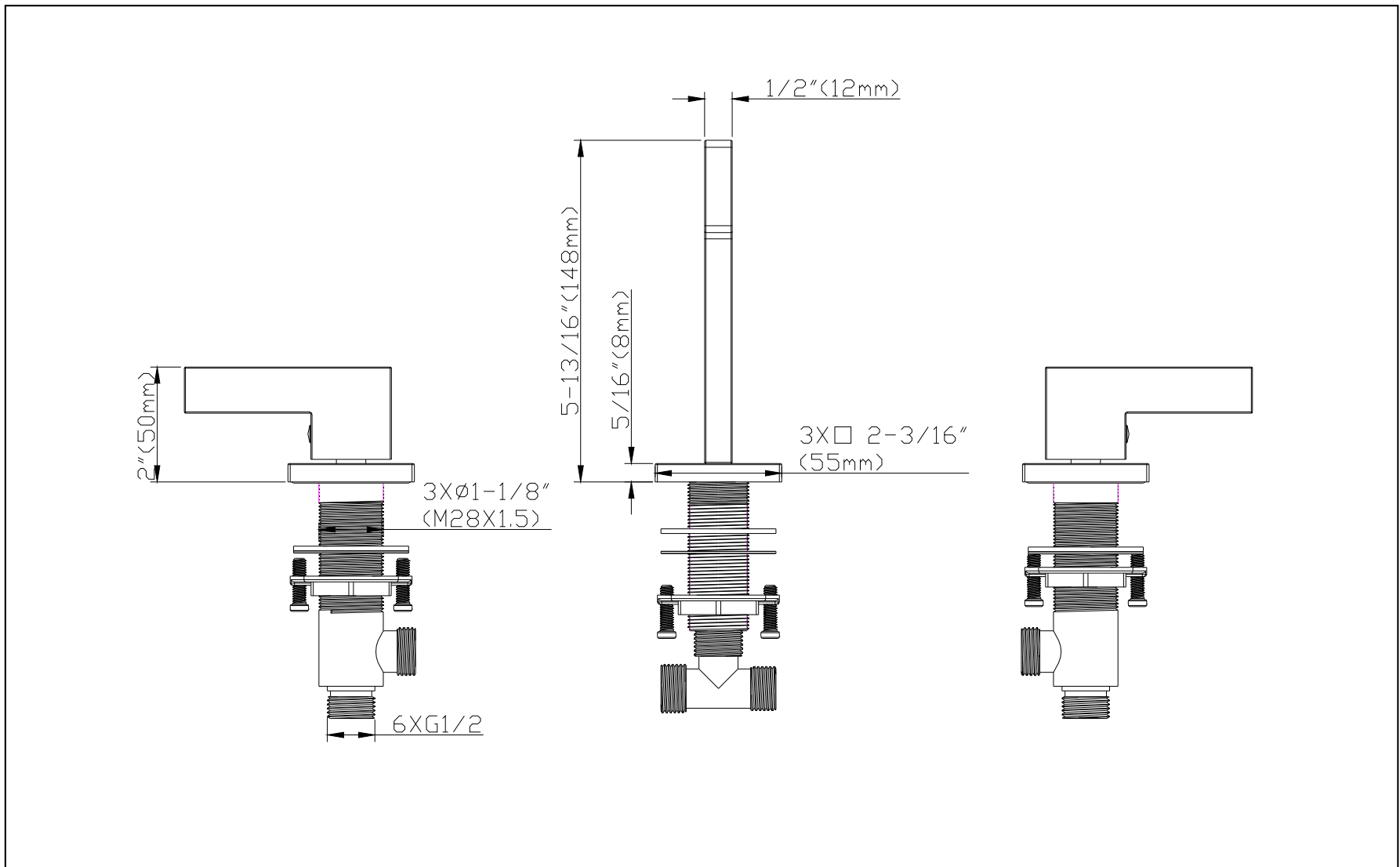
Prior to installation, we strongly recommend conducting a meticulous inspection of your SUMERAIN product to identify any potential damage or visible defects. It is crucial to thoroughly review the accompanying instructions regarding the correct installation, maintenance, and care procedures for the product. Should you have any inquiries regarding the utilization, installation, performance, or this warranty of your SUMERAIN product, please don't hesitate to reach out to us at +1-866-2030-866 or via email at supports@sumerain.com. Our dedicated team is readily available to provide professional assistance and address any concerns you may have.

FUNCTIONS AND SPECIFICATION

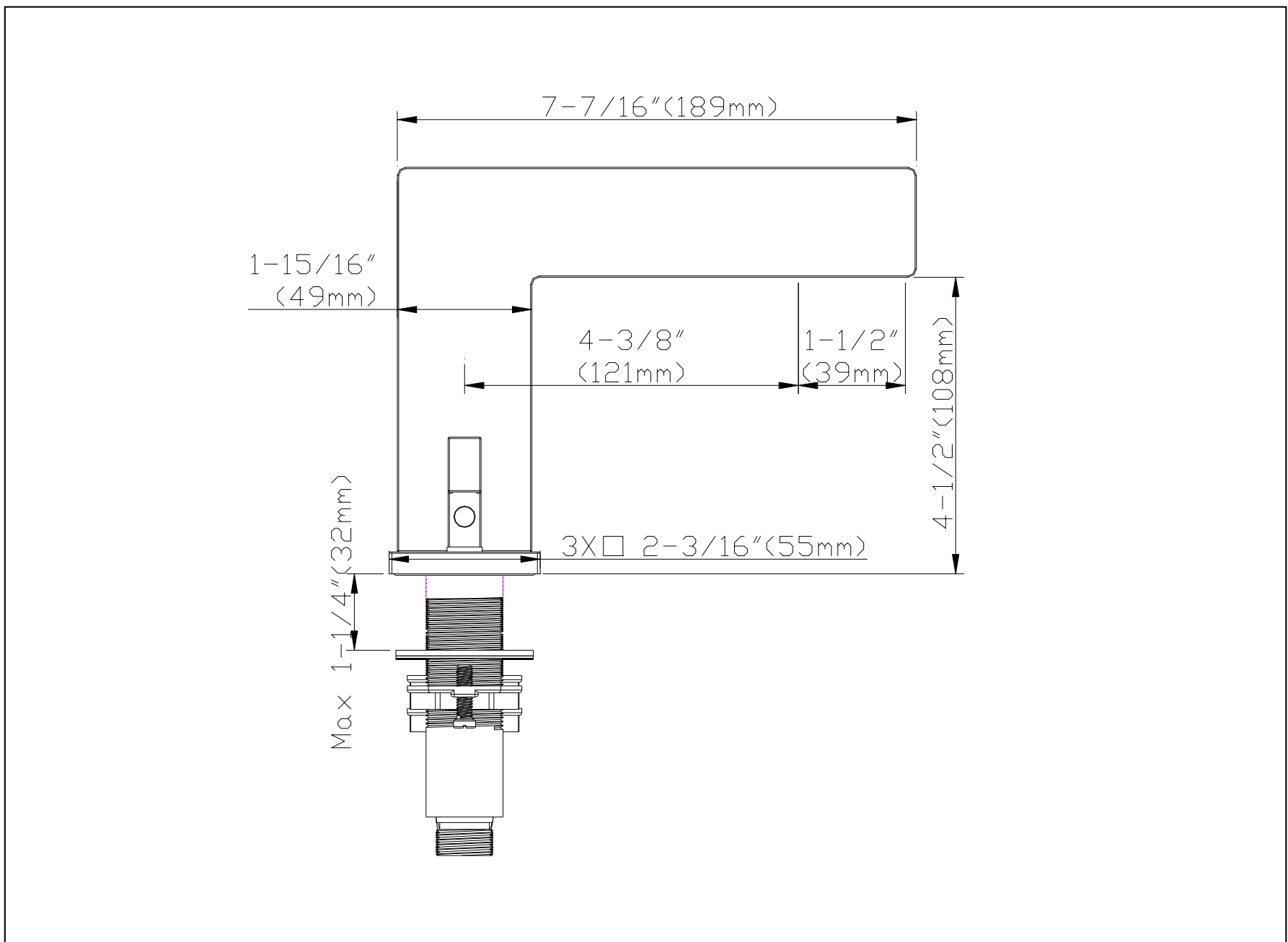
Function	Bathroom Sink Faucets
Feature	Waterfall,Widespread
Style	Contemporary
Finish	Chrome/Brushed Nickel/Matte Black/Brushed Gold
Installation Holes	Three Holes
Number of Handles	Two knobs
Spout total Height	148mm [5-13/16 Inch]
Spout Reach	140mm [5-1/2 Inch]
Spout Width	12mm [1/2 Inch]
Spout Height	108mm [4-1/2 Inch]
Max deck thickness	32mm [1-1/4 Inch]
Valve Type	Ceramic Disc Valve
Valve Body Material	Brass
Spout Material	Brass
Net Weight	4.83lbs [2.19KG]
Gross Weight	5.75lbs [2.61KG]
Working water press	0.2 ~0.8 Mpa [29PSI – 116PSI]
Flow Rate	1.2GPM [4.5L/M]
Packing box size	14-3/8"[365mm]X13-3/4"[350mm]X2-1/2"[90mm]



DEMENSION



Front view of faucet



Side view of faucet

INSTALLATION STEPS

1. BEFORE PROCEEDING



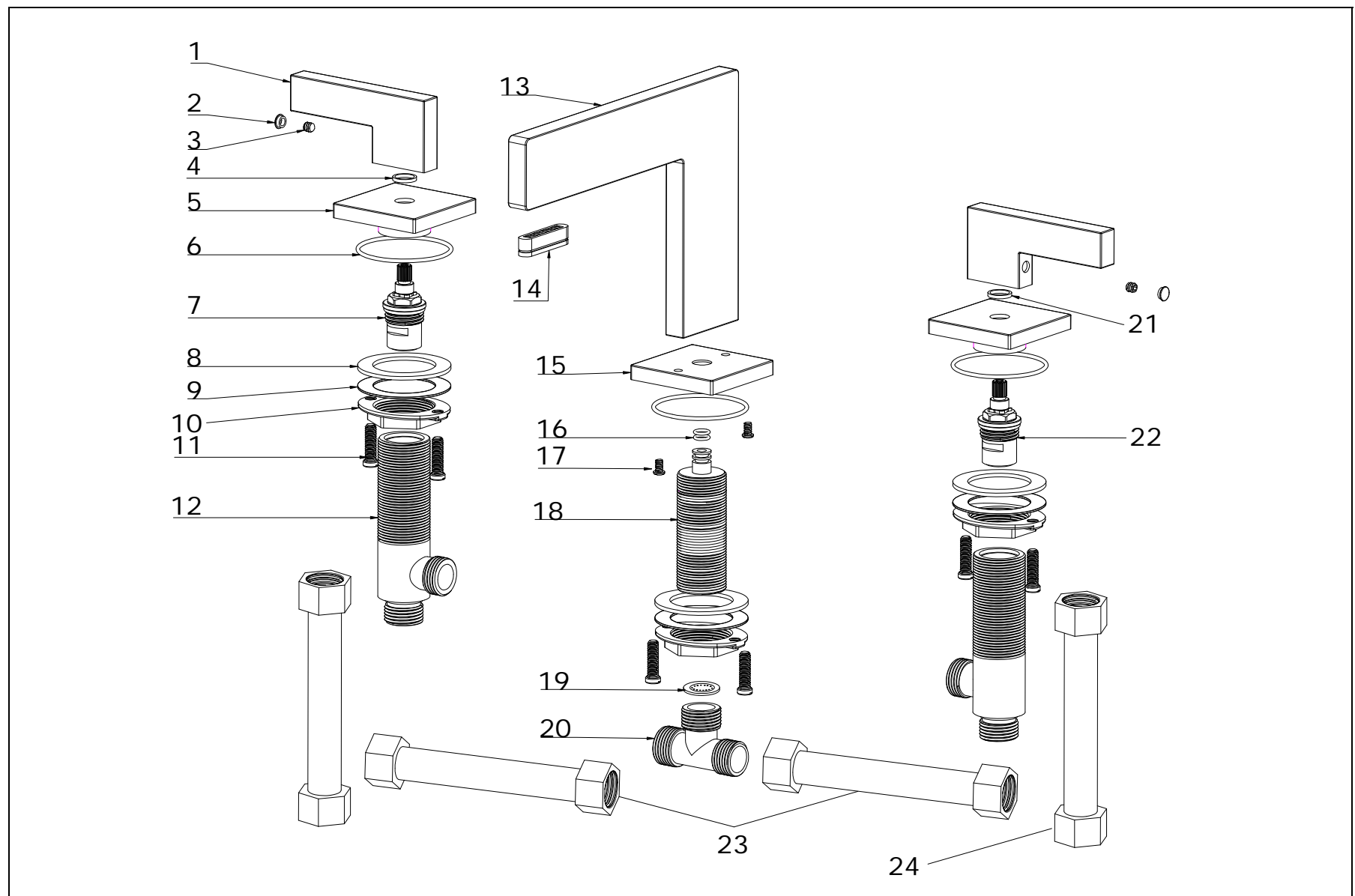
WARNING: Read all the instructions completely before proceeding. SUMERAIN recommends calling a professional if you are uncertain about installing this product!, this product should be installed in accordance with all local and state plumbing and building codes.

2. SHUT OFF WATER SUPPLY

Locate water supply inlets and shut off the water supply valves. These are usually found near the water meter. if you are replacing an existing unit, remove the old unit and clean the mounting surface thoroughly.

3. CHECKING THE CONTENTS OF THE BOX

Upon opening the box, check to ensure that all the following items are included.

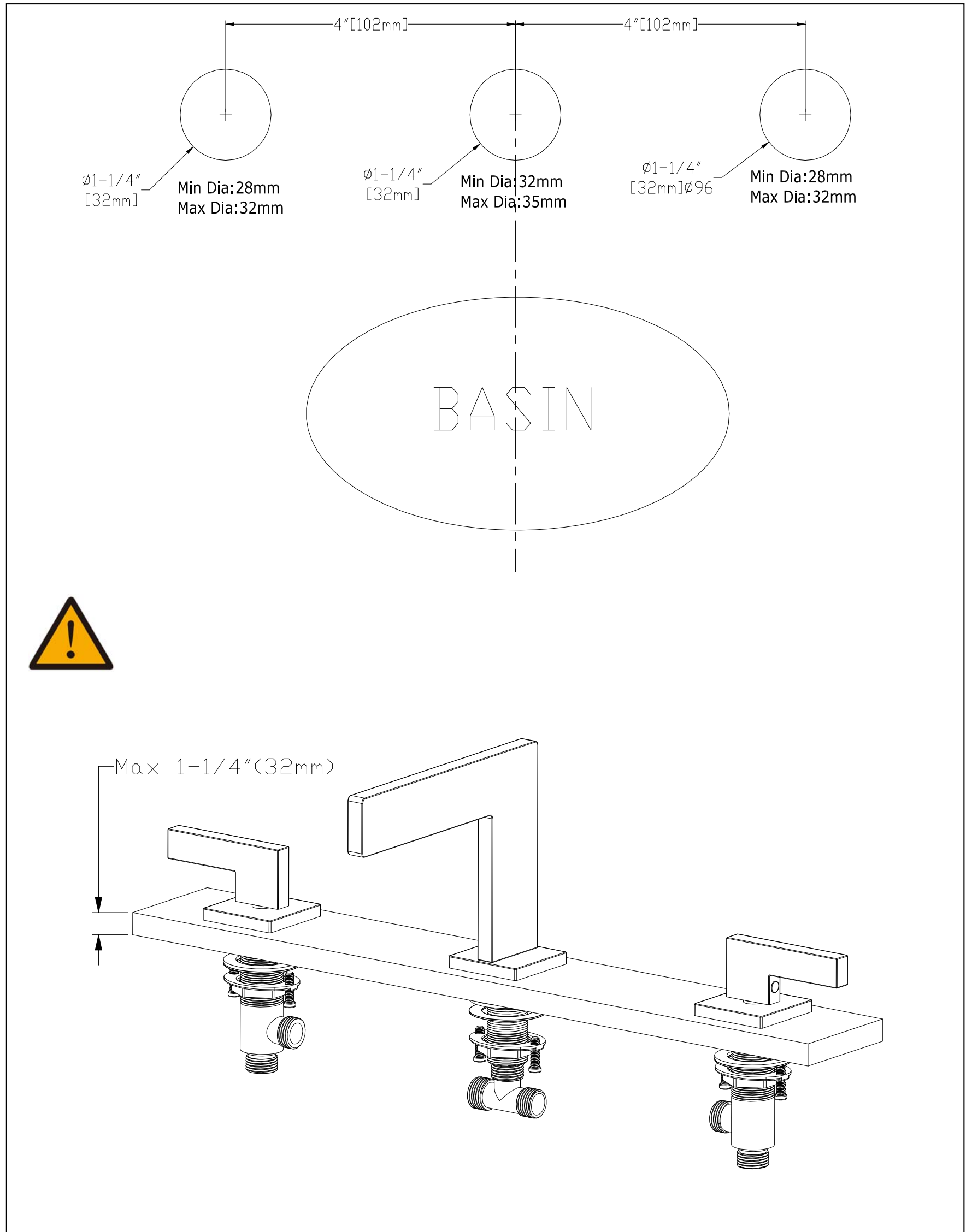


NO.	ITEM NAME	MATERIAL	QTY	PART NO.	NO.	ITEM NAME	MATERIAL	QTY	PART NO.
1	Lever	Zn Alloy No.3	2	PHD14150XX	13	Spout	HPB59-1	1	PSP14190XX
2	Screw Cover	ABS	2	PSA00002XX	14	Aerator	ABS	1	PAE14190XX
3	Set screw	SUS304	2	PSC05050XX	15	Spout Base	HPB59-1	1	PEC14190XX
4	Hot indicator (red)	POM	1	PRW13100XX	16	O-Ring	NBR	2	POR09019XX
5	Escutcheon	HPB59-1	2	PEC14191XX	17	Screw	SUS304	2	PSC04010XX
6	O-Ring	NBR	3	POR52020XX	18	Spout shank	HPB59-1	1	PCN14190PB
7	Hot disc cartridge	ASSEMBLF	1	PCT32351XX	19	Flow regulator	ASSEMBLF	1	PAE00034XX
8	Rubber washer	NBR	3	PRW45302XX	20	T-tee	HPB59-1	1	PCN00001PB
9	Metal washer	SUS304	3	PRW45303XX	21	Cold indicator (blue)	POM	1	PRW13101XX
10	M28x1.5 Lock Nut	HPB59-1	3	PNT00016PB	22	Cold disc cartridge	ASSEMBLF	1	PCT32350XX
11	Set screw	SUS304	6	PSC00001XX	23	Connect hose(G1/2 to G1/2)	ASSEMBLF	2	PFH00020XX
12	Hot/cold Valve body	HPB59-1	2	PVB14190PB	24	Supply hose(G1/2 to COMP. 3/8)	ASSEMBLF	2	PFH00035XX

If any of these items are missing, please contact SUMERAIN consumer service by email to: supports@sumerain.com.

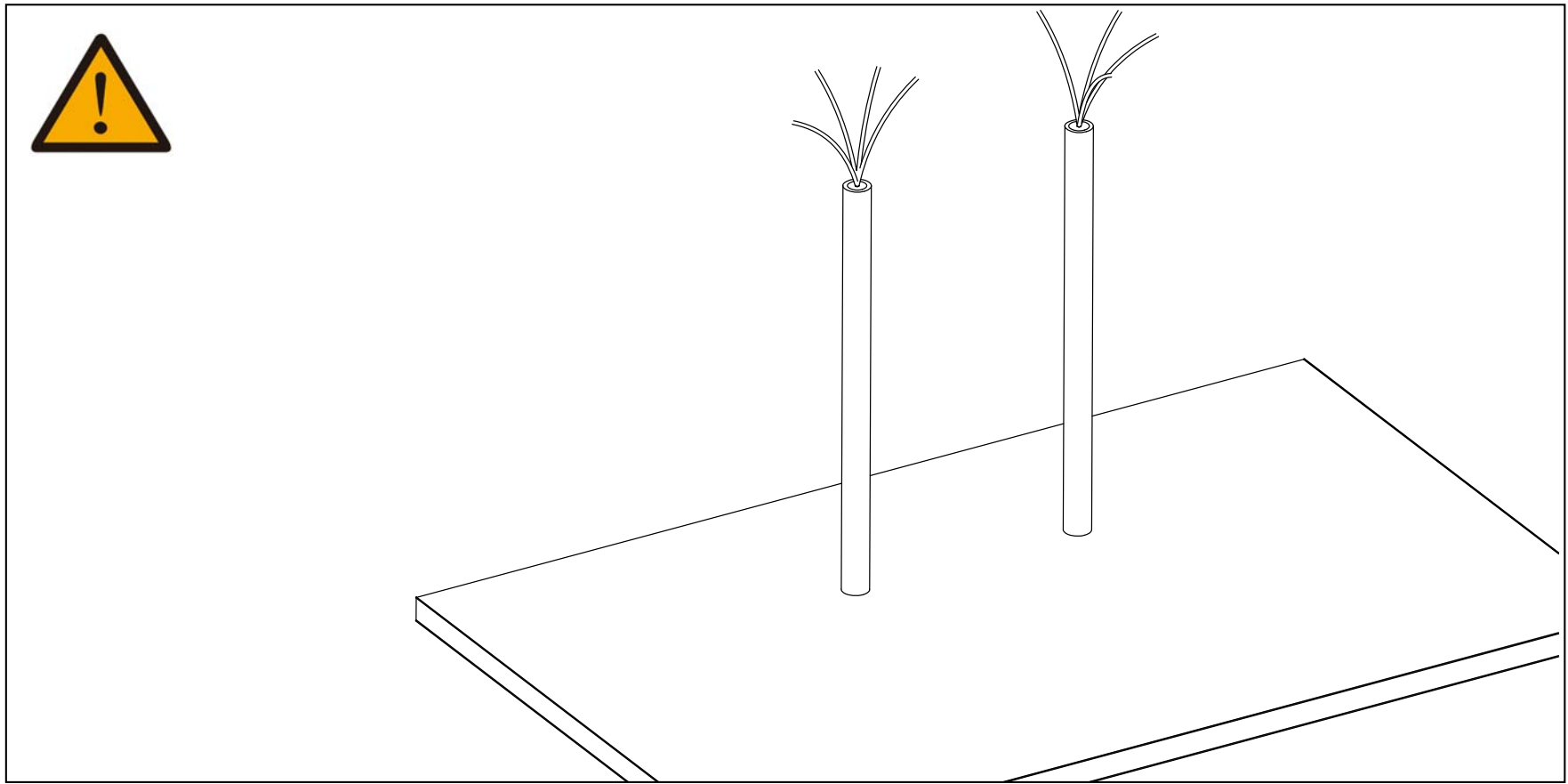
4. INSTALLATION HOLES INSPECTION

Verify that the hole sizes and positions in the deck are correct, the optimal diameter of mounting hole optional is 32mm(1-1/4"), the max deck thickness is 32mm(1-1/4").

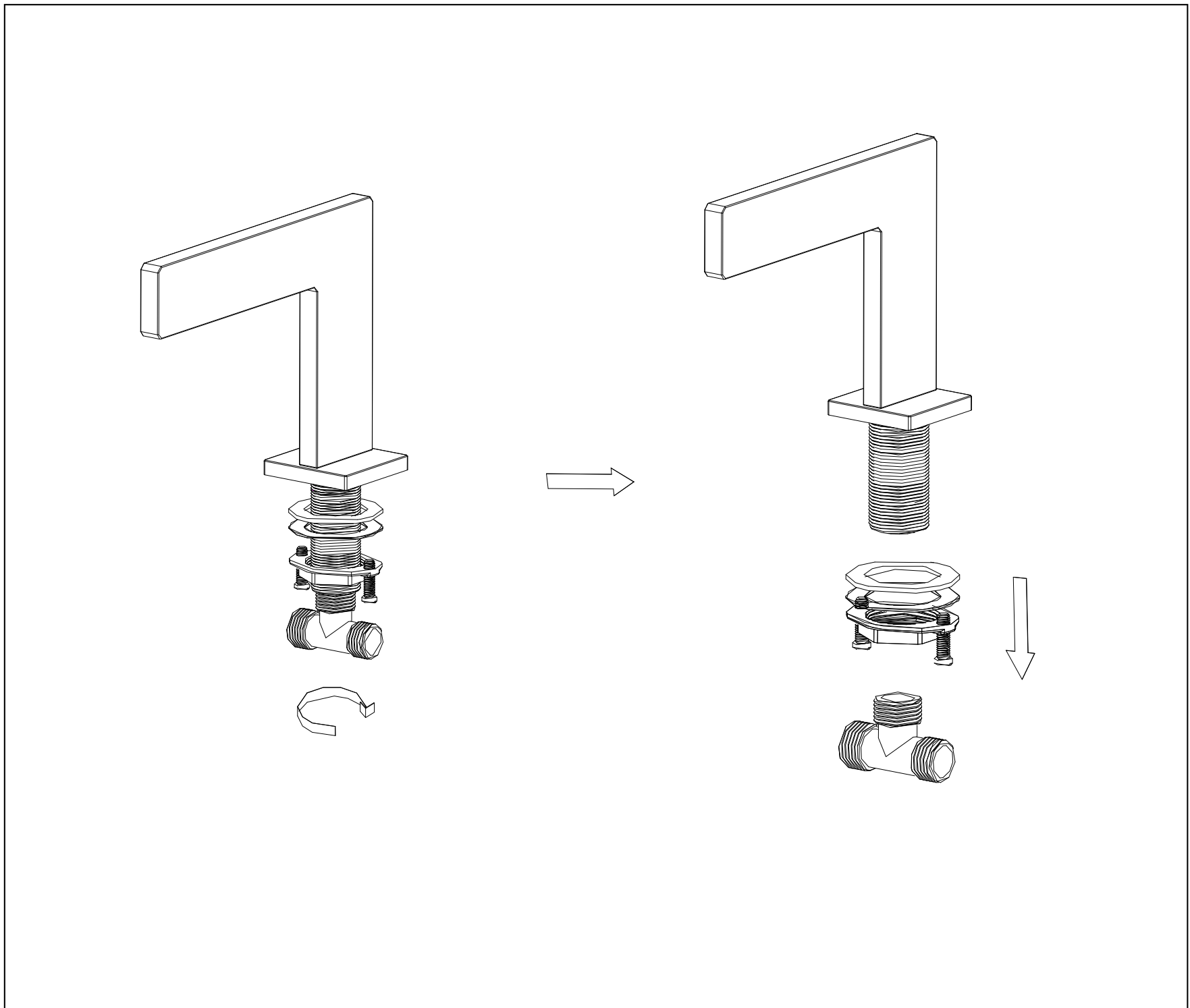


5. INSTALLATION

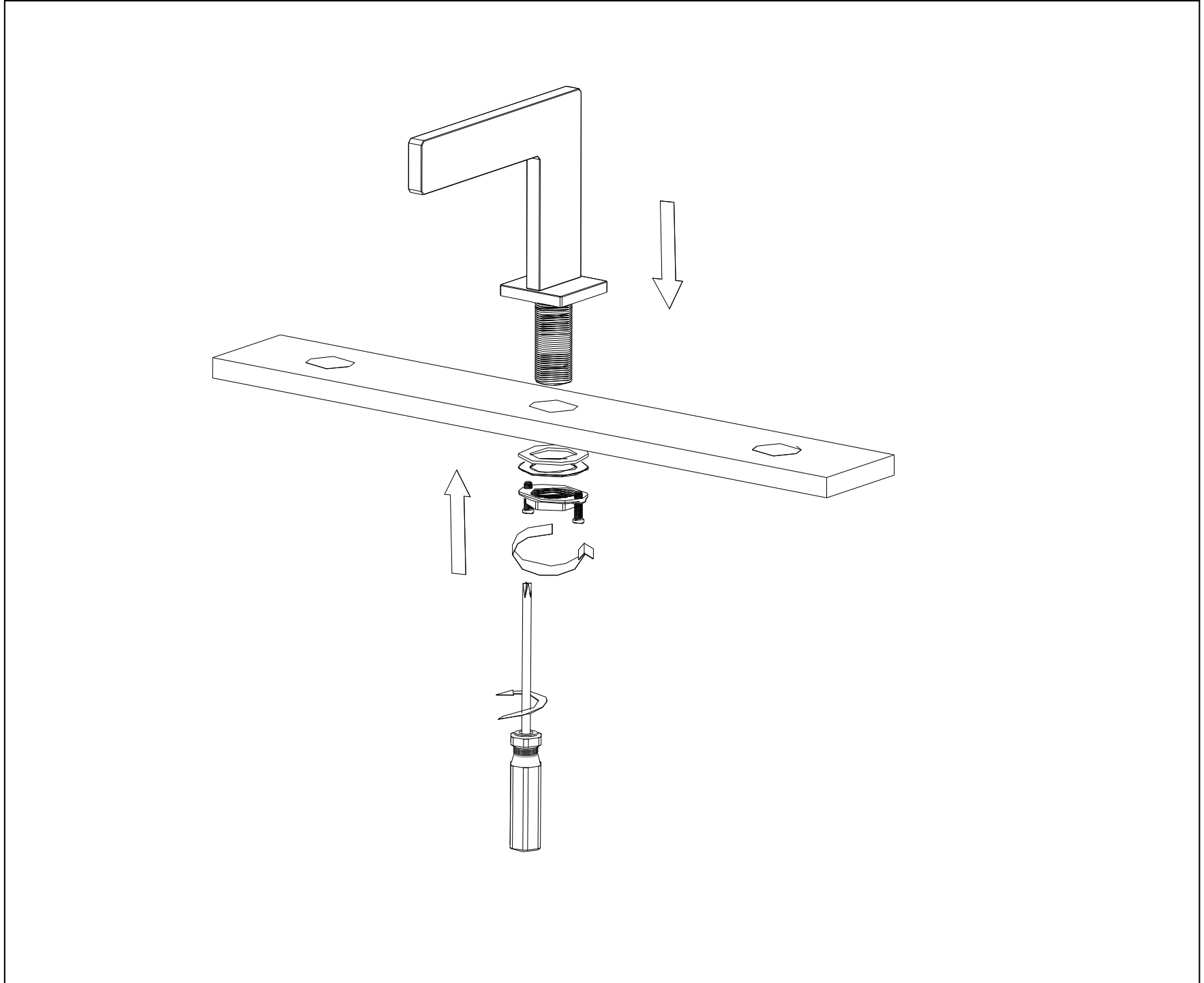
5.1 Turn on your shut-off valve for cleaning the hot and cold water supply pipe before connect to the faucet, allow the water flush 3~5 minutes to flush out dirt and debris. Shut off the water supply again after finish.



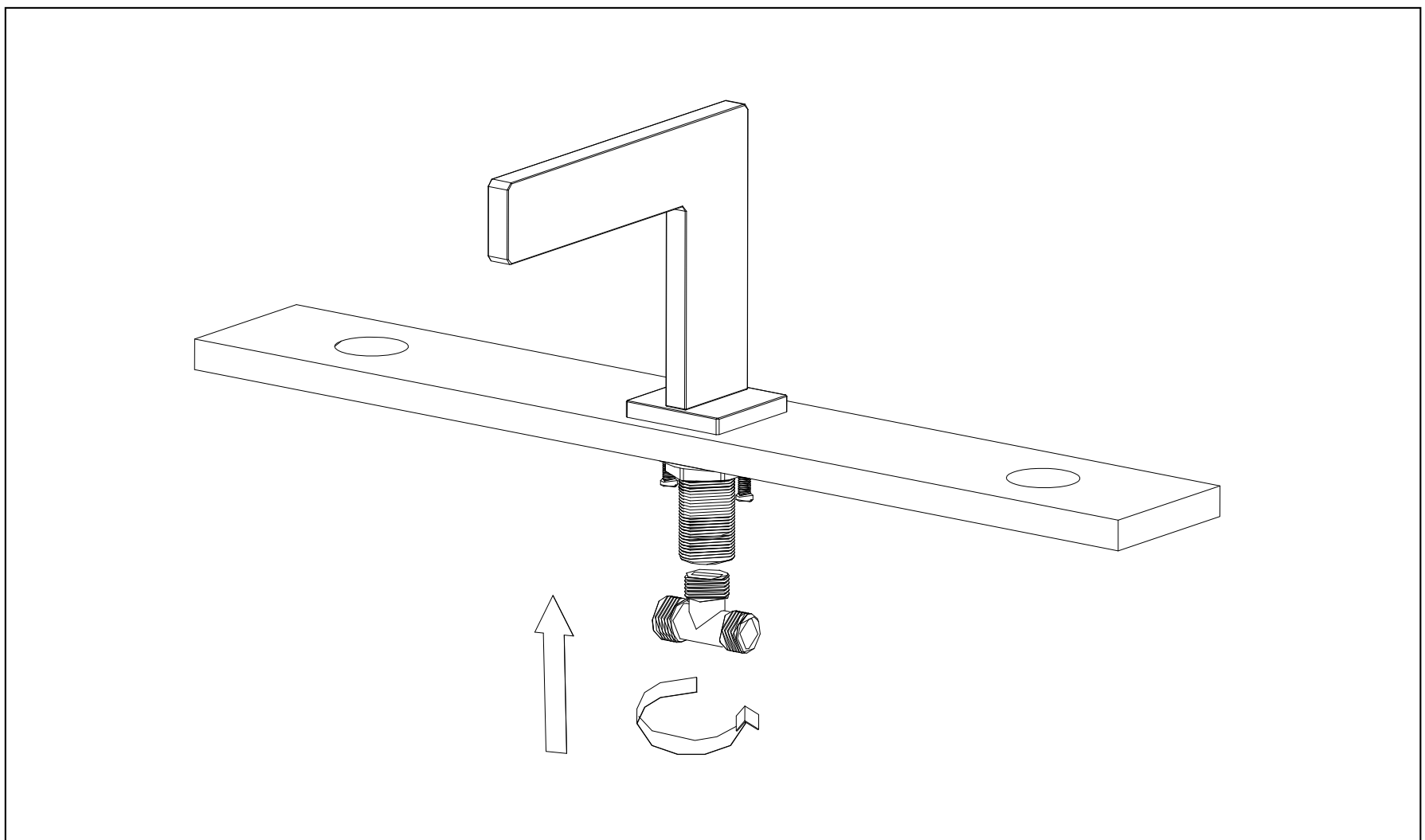
5.2 Disassemble Spout assembly to prepare for next step's installation.



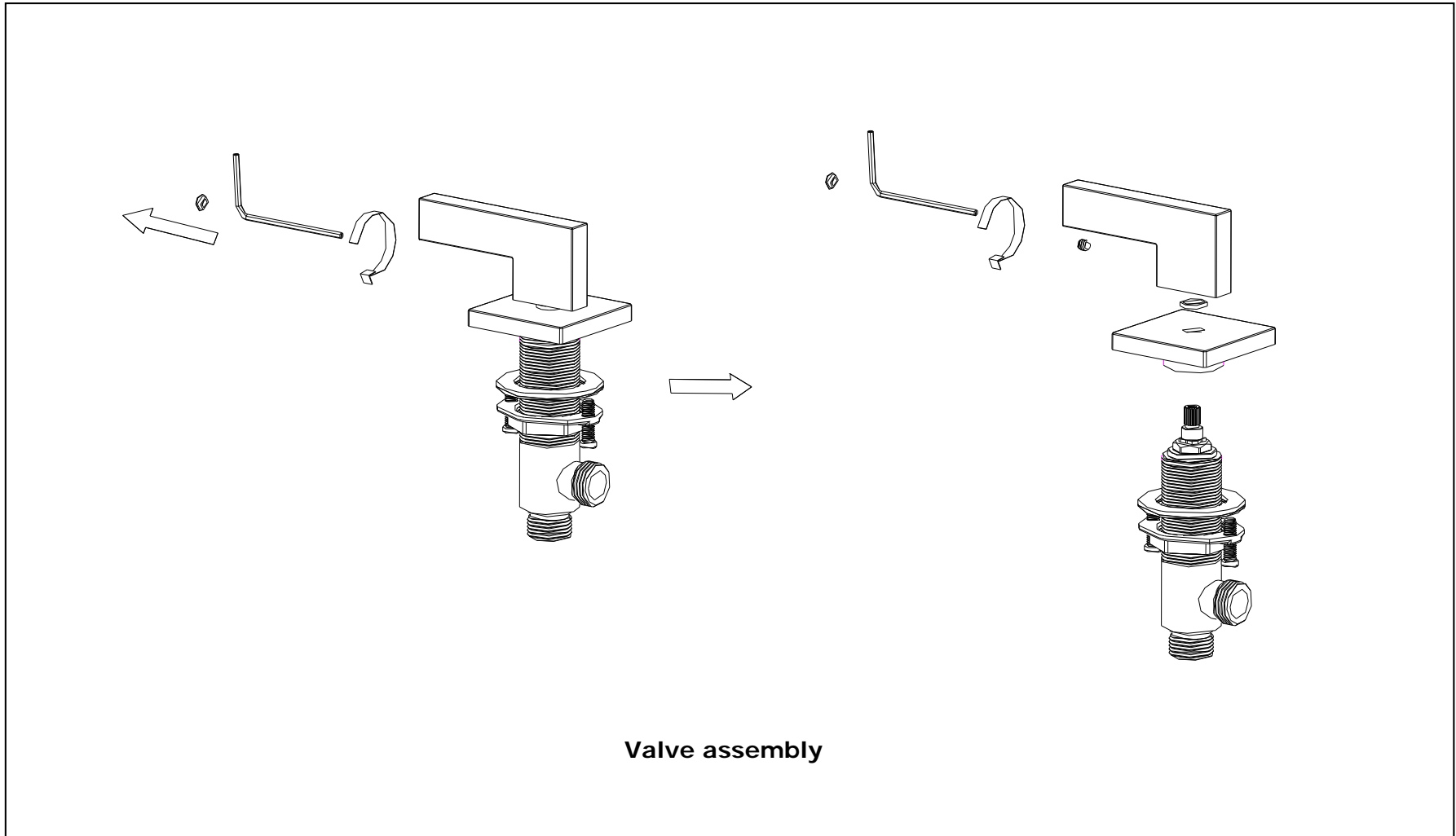
5.3 Position spout onto the hole of mounting surface, attach rubber washer on spout shank and fasten with spout shank locknut by wrench from underneath.



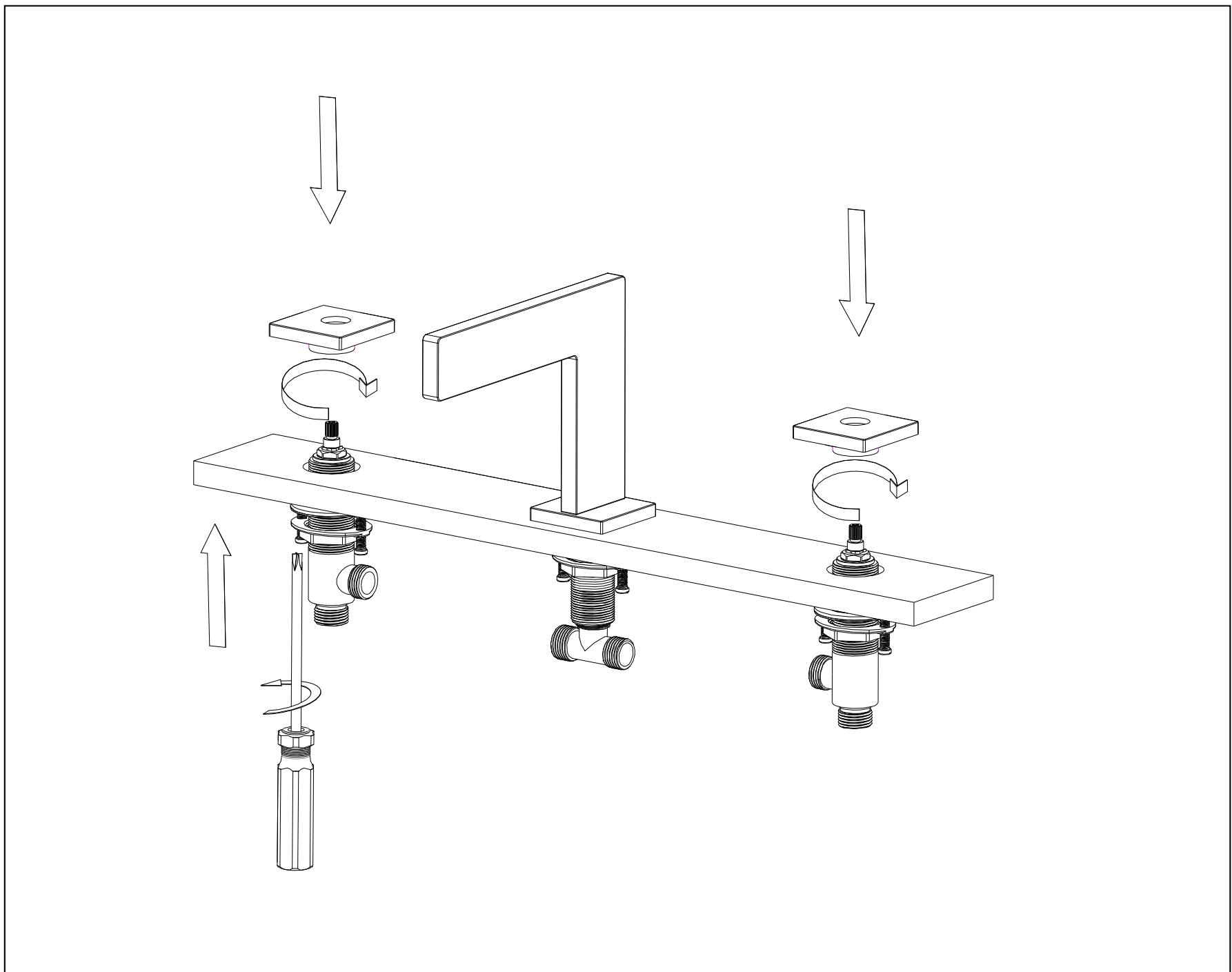
5.4 Screw on T-tee onto the spout shank.



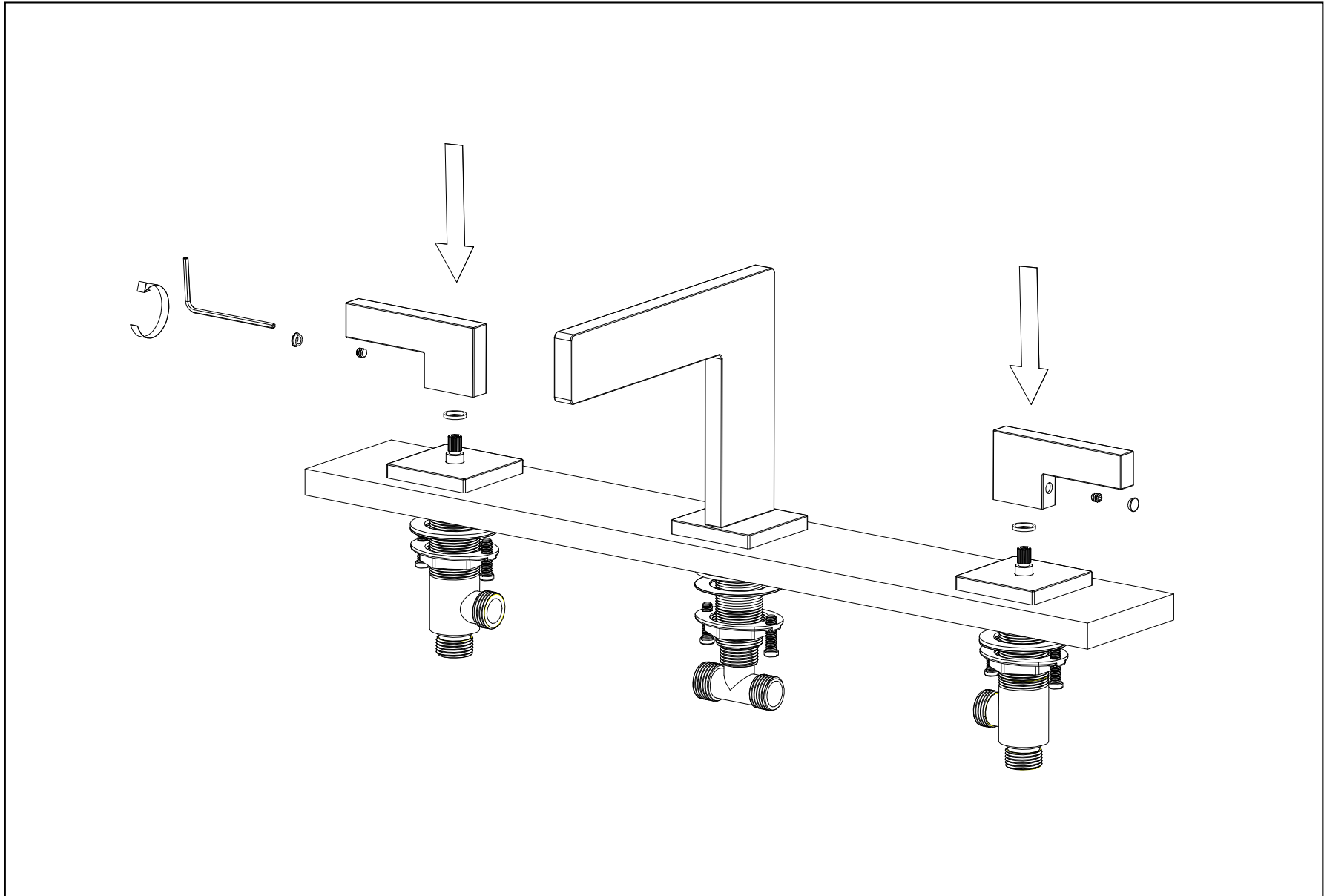
5.5 Disassemble hot and cold water valve assembly to prepare for next step's installation. Take out the screws cover from levers and loose the inside set screw by Allen wrench anticlockwise, disassemble the knob from the valve assembly.



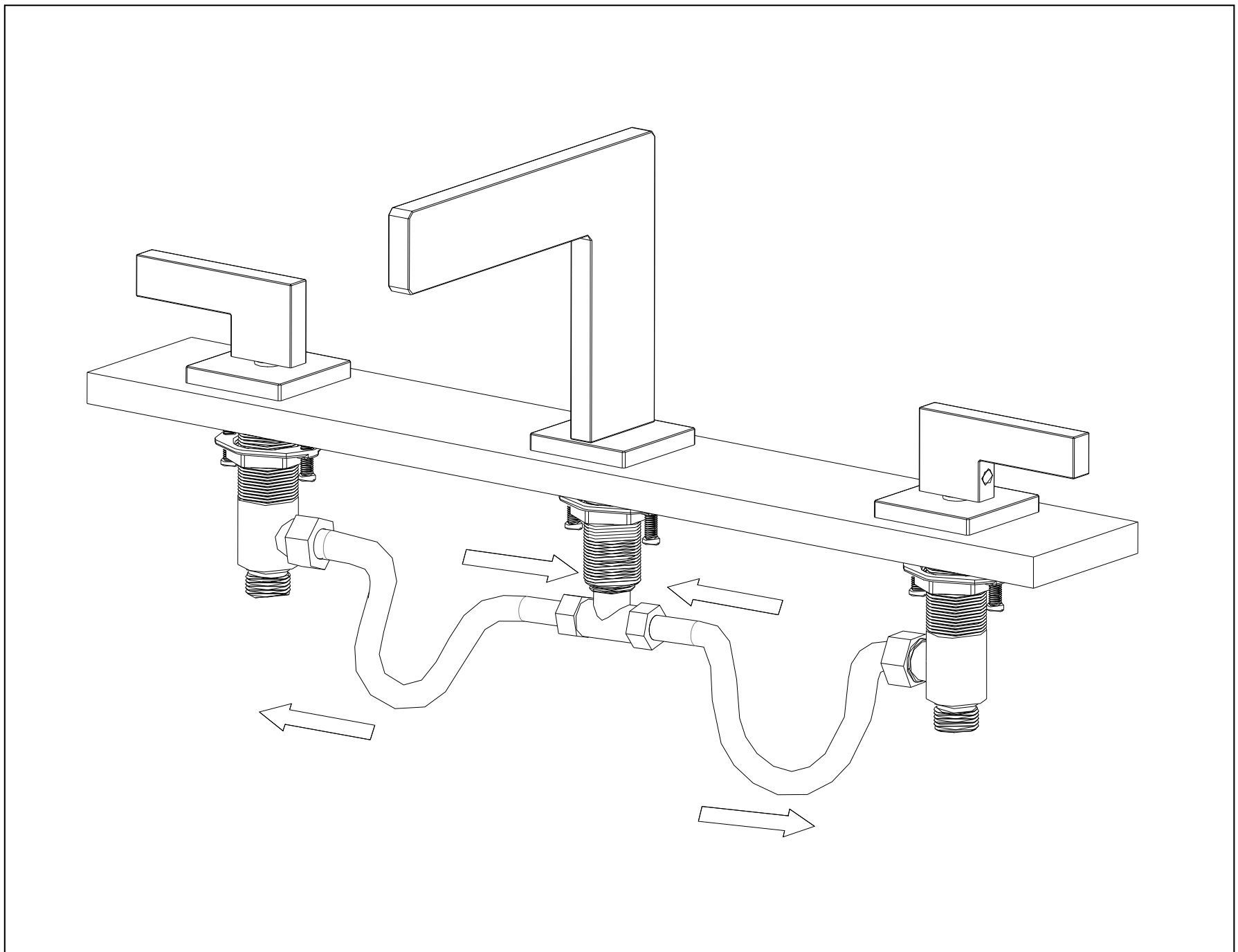
5.6 Place the valve body onto mounting surface, attach the rubber washer and locknut from underneath of mounting surface, then reposition escutcheons as necessary to a desired height. Repeat the same procedure for the right cold valve assembly.



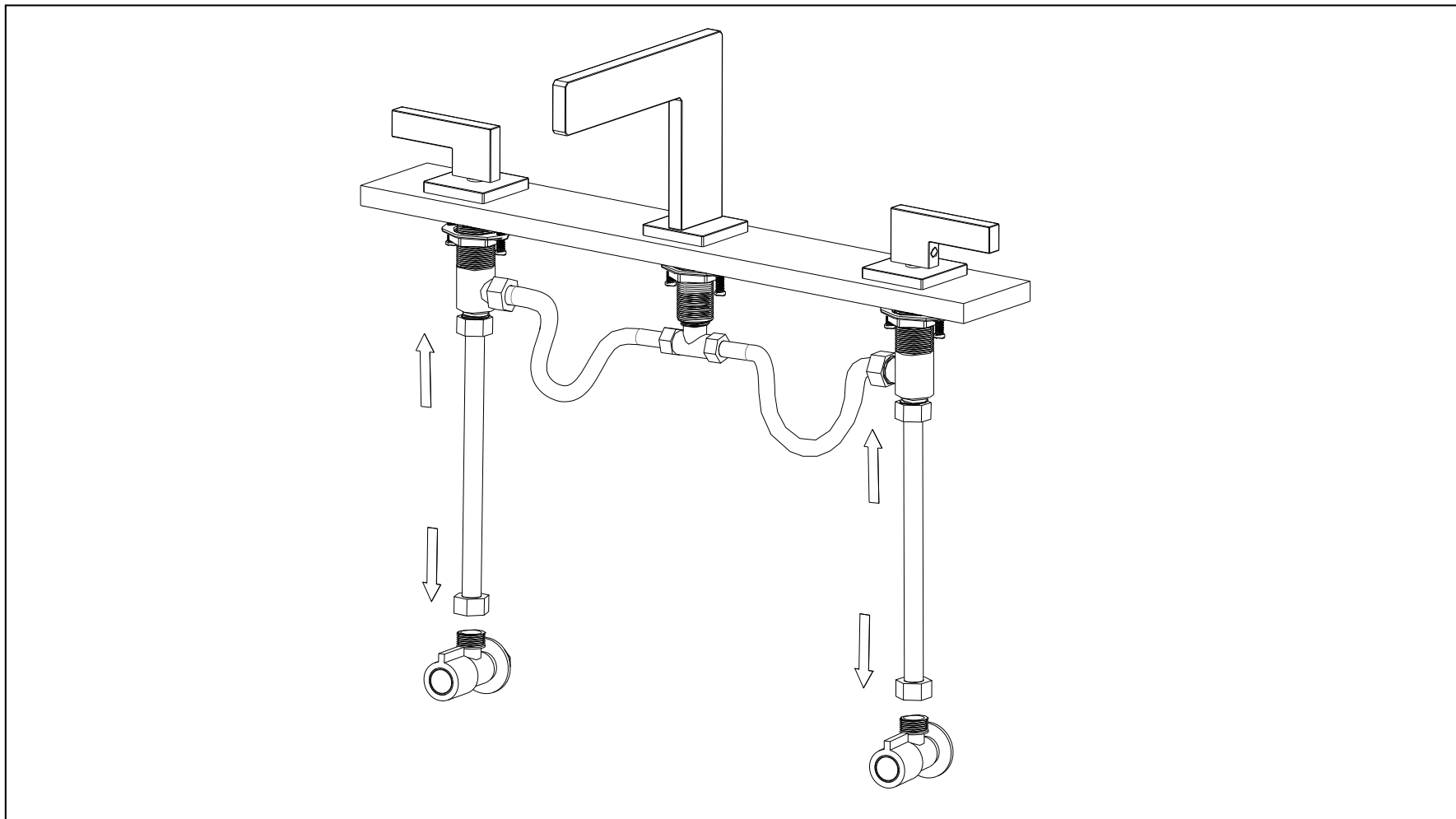
5.7 Secure the levers to cartridge stems with screw by Allen wrench. Repeat the same procedure for the right knobs assembly.



5.8 Connecting the cold water valve body and hot water valve body to tee with flexible hoses.



5.9 Connect hot valve body's inlet connector and cold water valve inlet connector to stop valve separately with flexible hose.
The water inlet connecting of hot and cold Valve body is G1/2" [1/2 BSPP].



6. INSPECTION

6.1 Turn on hot and cold water supply and check all connection for ensuring no leaking anywhere.

INSTALL FINISH

CLEARING RECOMMENDATION FOR SUMERAIN PRODUCTS

Modern lavatory faucets, kitchen faucets, and showers consist of very different materials to comply with the needs of the market with regard to design and functionality. To avoid damage and returns, it is necessary to consider certain criteria when cleaning.

Cleaning Materials for faucets and showers

Acids are a necessary ingredient of cleaning materials for removing lime, however please pay attention to the following points when cleaning faucets and showers:

- Only use cleaning materials which are explicitly intended for this type of application.
- Never use cleaning materials which contain hydrochloric, formic, phosphoric, or acetic acid, as they cause considerable damage.
- Never mix one cleaning material with another.
- Never use cleaning materials or appliances with an abrasive effect, such as unsuitable cleaning powders, sponge pads, or micro fiber cloths.

Cleaning instructions for faucets and showers

Please follow the cleaning material manufacturer's instructions. In addition, pay attention to the following points:

- Clean the faucets and showers as and when required.
- Use the amount of cleaning product and the amount of time recommended by the manufacturer. Do not leave the cleaner on the fixture longer than necessary.
- Regular cleaning can prevent calcification, if scale deposits are noticed on the faucet surface or the spout, you can clean it by a commercial limescale remover, such as Lime-Away® or CLR®. Dilute the remover according to the label instructions.
- The faucets might have some rusty if your faucet under hard water condition, please rub it with aluminum foil dipped in water until the surface is nice and smooth, and wipe it use a small amount of chrome polish or maybe something like car wax(such as Meguiar®, Turtle Wax®) or polish.
- For stainless steel faucet and spout both made of solid stainless, normally this finish has not protective coating on it(in particular waterfall spout inside),stainless steel is by its material nature very tarnish resistant, but by no means tarnish or stain proof. This finish might oxidize naturally over time and react to its environment. Keep your stainless fixture wiped clean and dry and use only a cleaner specifically made for stainless steel (such as Weiman®, CLR®).
- When using spray cleaners, spray first onto a soft cloth or sponge, never spray directly onto the faucet as droplets can enter openings and gaps and cause damage.
- After cleaning, rinse thoroughly with clean water to remove any cleaner residue.

Important

Residues of liquid soaps, shampoos, and shower foams can also cause damage, so rinse with clean water after using.



Please note: if the surface is already damaged, the effect of cleaning materials will cause further damage.

Components with damaged surfaces must be replaced or injury could result.

Damage caused by improper treatment is not covered under the warranty.

SUMERAIN®

SUMERAIN INTERNATIONAL GROUP INC

Address: 1226 NORTH KING ST NUM 522
WILMINGTON, DE 19801
United States

Tel: +1(866)203-0866

Web: <http://www.sumerain.com>

E-mail: supports@sumerain.us

HONGKONG SUMERAIN SANITARY INDUSTRY CO., LIMITED

Address: FLAT/RM 3B 3/F BANK TOWER
NOS.351&353 KING'S ROAD
NORTH POINT
HK

Tel: +86-750-2731579

E-mail: supports@sumerain.com

SUMERAIN EUROPE SUPPORT

Address: Flottwellstr. 15
10785 Berlin,
Deutschland

Tel: +49 (0)30/23975898

E-mail: de@sumerain.com