




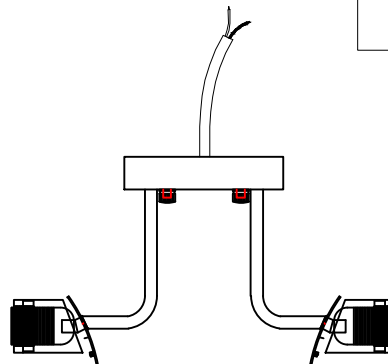
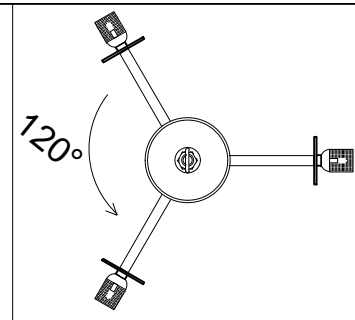
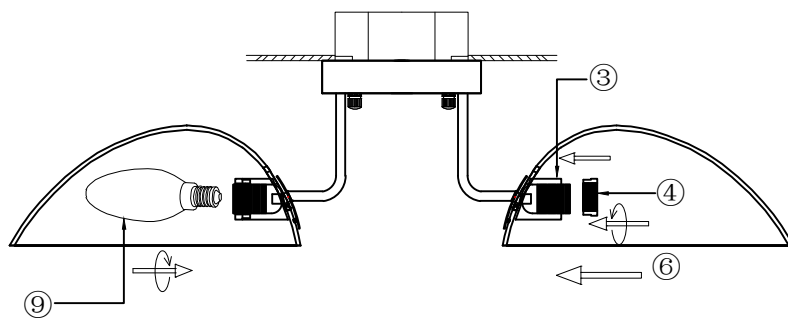
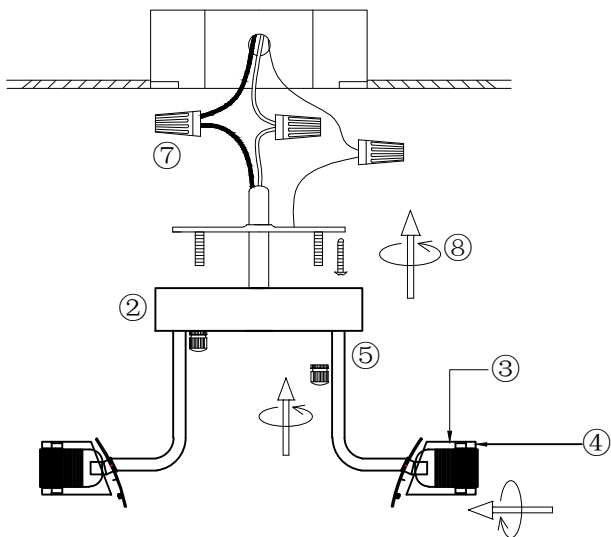


⑥glass lampshade 3PCS

-  X 1PCS
-  X 3PCS
-  X 3PCS
-  X 3PCS
-  X 3PCS



1. Adjust the light arms to suitable position like picture shown.



2. Install the bracket to the ceiling junction box with screw.
3. Connect the wire to the house line with cap connector.
4. Install the fixture to the bracket with cap nut⑤.

5. Install the lampshade to the bulb holder with socket ring③ and threaded ring④.
6. Install the bulb⑨. (bulb is not included in the package)

Please read carefully before installation!!!

Note : Please make sure that the electricity is powered off during installation !

Only a professional electrician should install this kind of product !