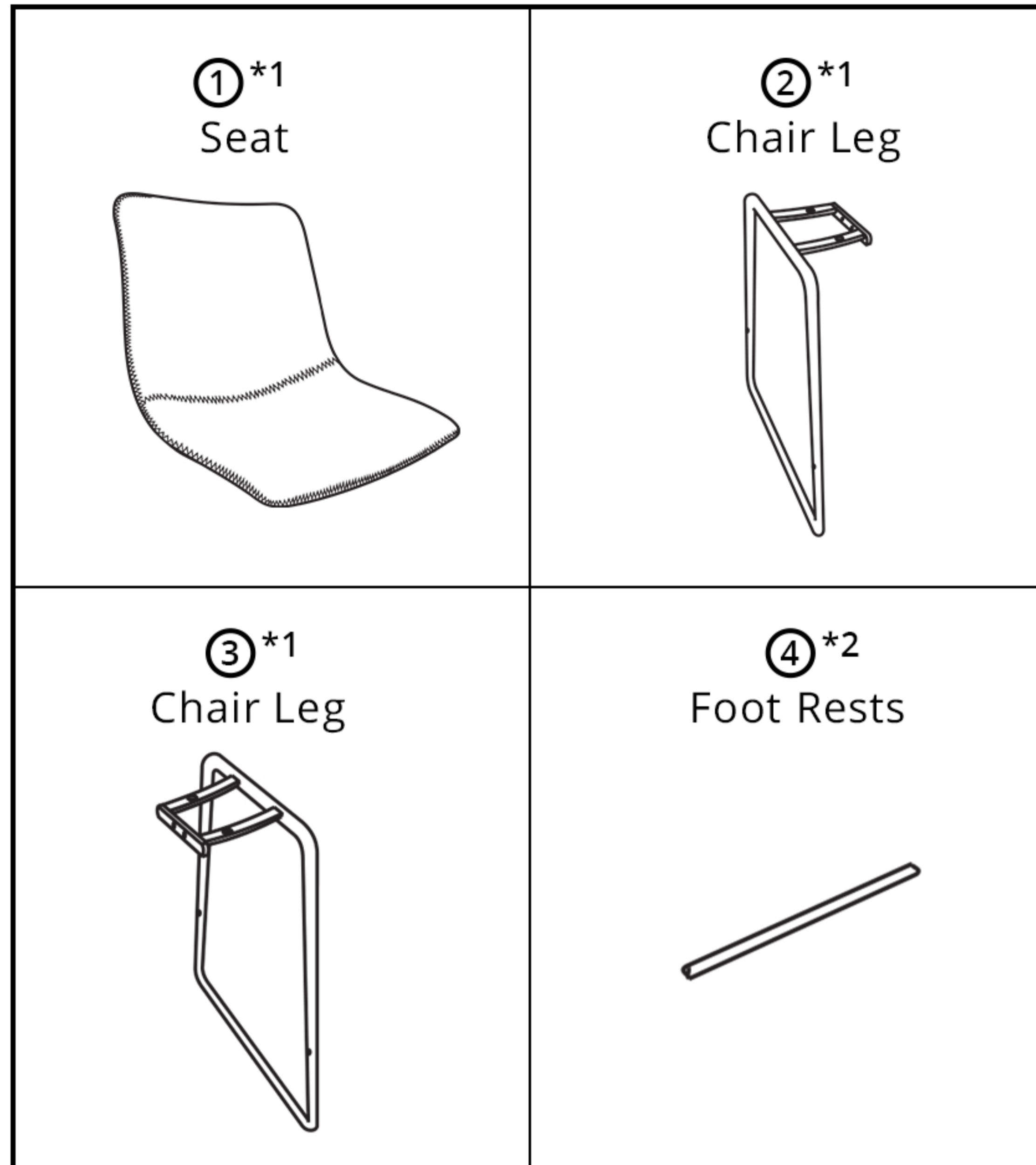


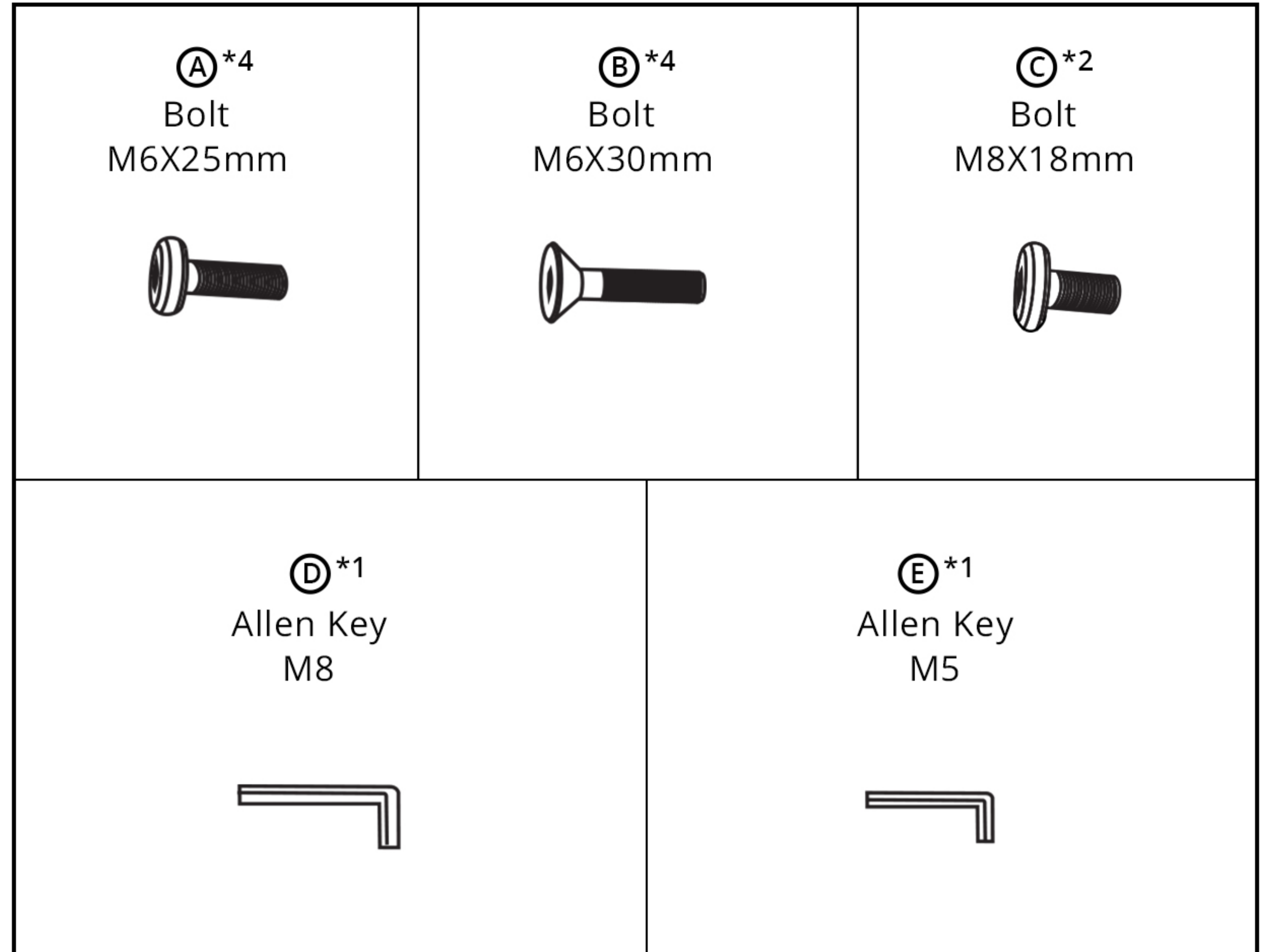
Parts List

Make sure all the parts are in the package.

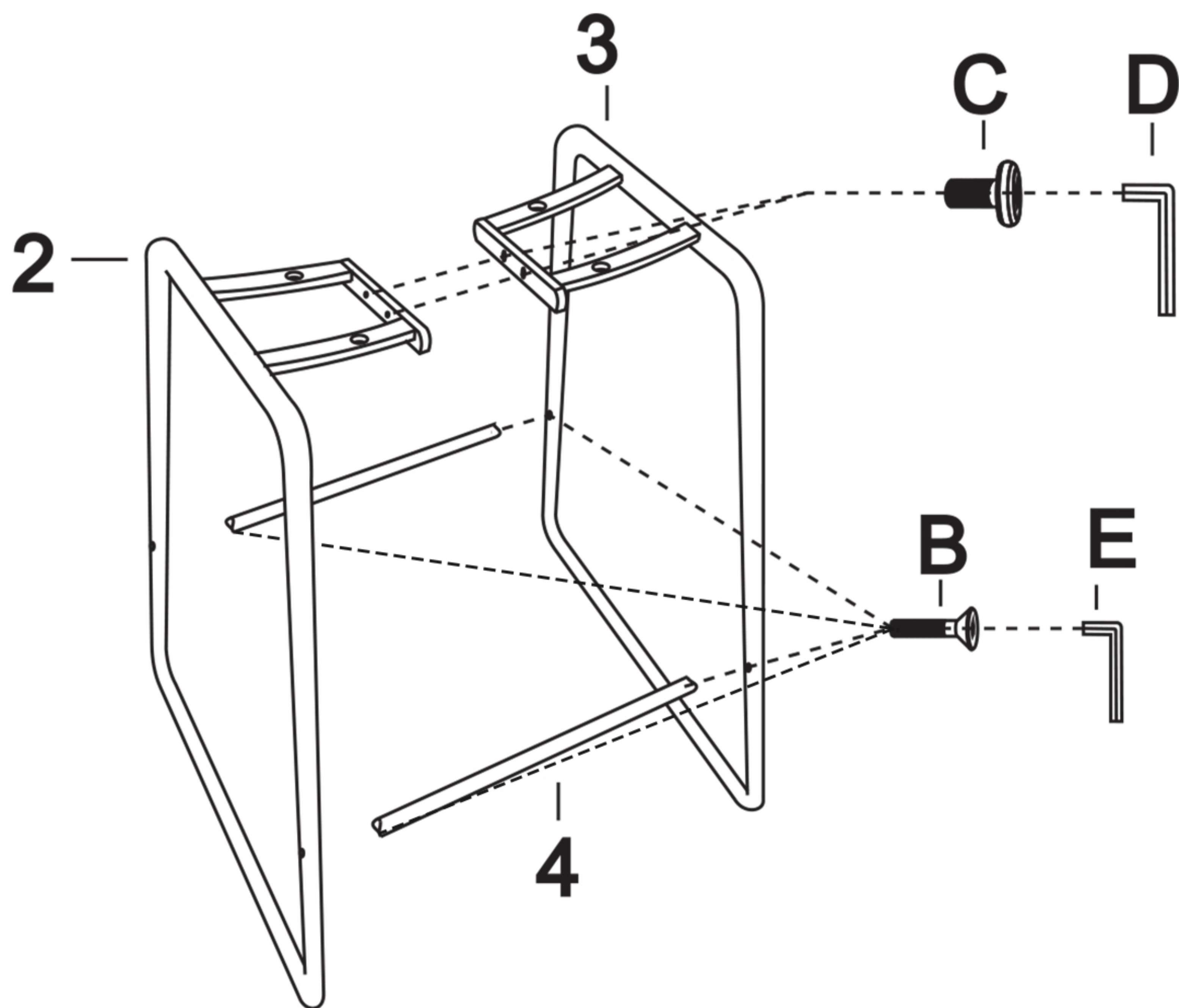


Hardware List

Do not tighten all bolts until all the bolts haven been installed in their corresponding locations.



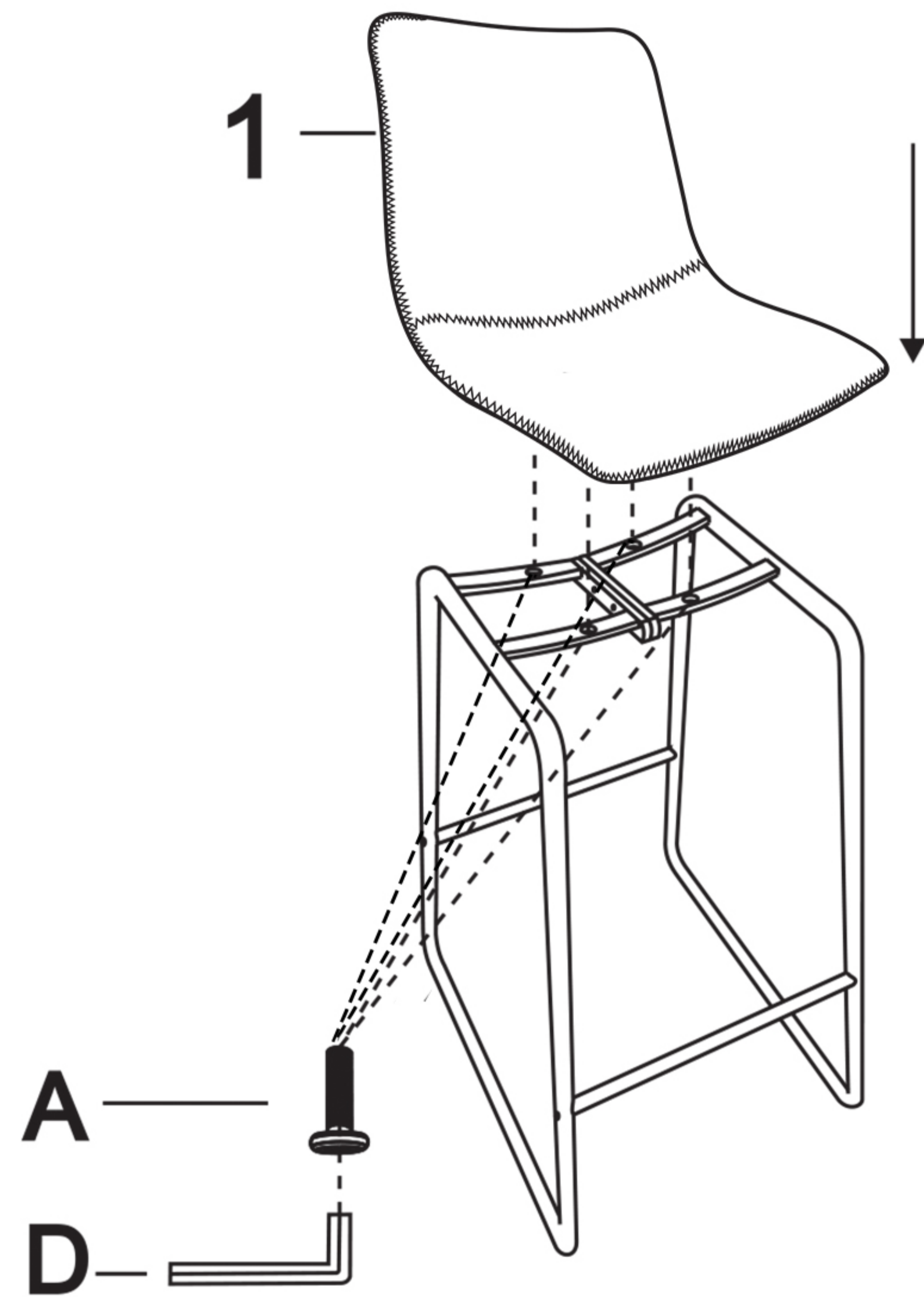
Assembly Step 1



Fix the Chair Leg(2) to Chair Leg(3) with 2 Bolts(C) by an Allen Key(D).

Fix the Foot Rests(4) to the Chair Legs with 4 Bolts(B) by an Allen Key(E).

Assembly Step 2



Fix the Seat(1) to the Chair Legs with 4 Bolts(A) by an Allen Key(F).

Make sure a high in front and low in back design of the seat.

Complete

