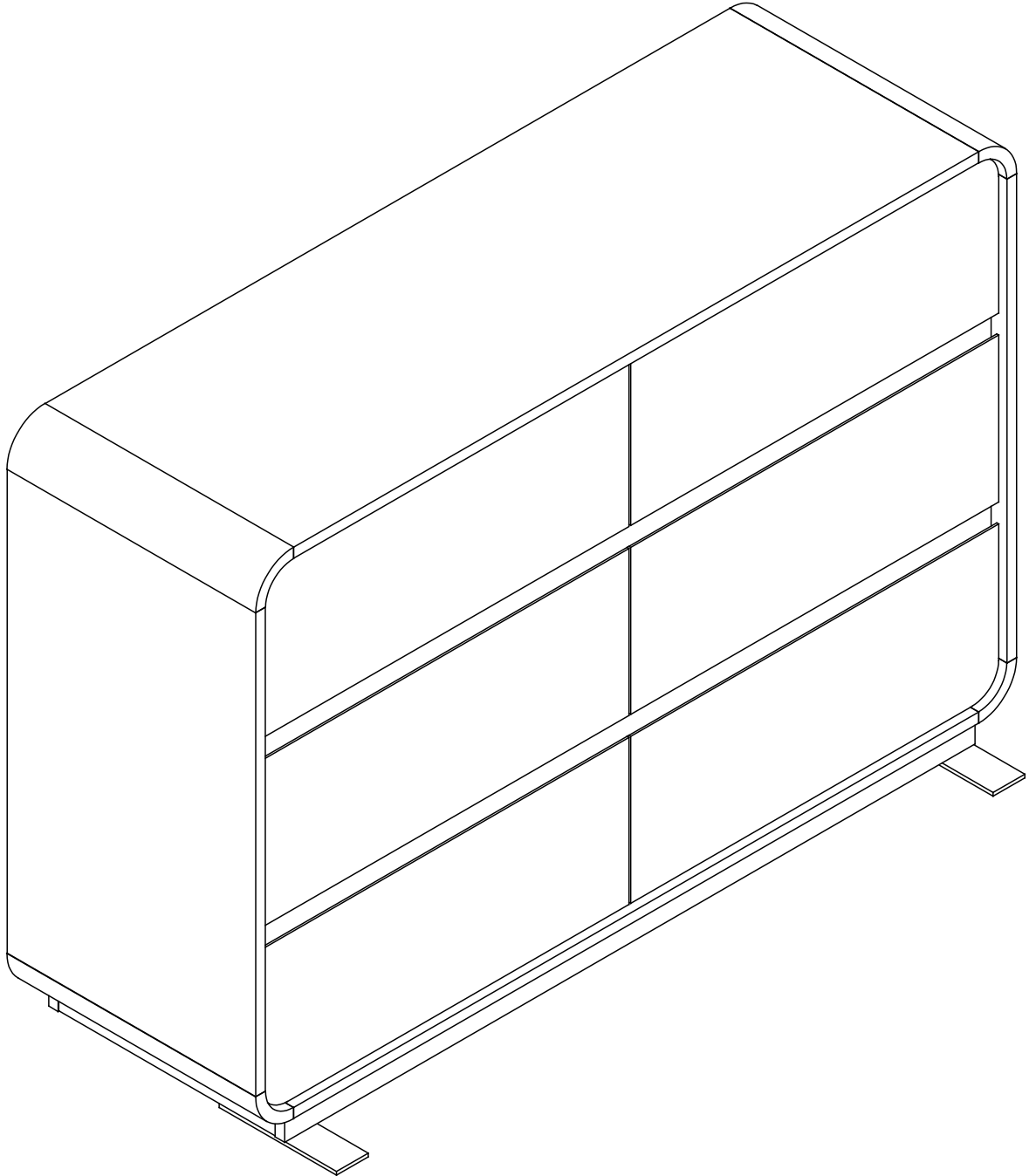
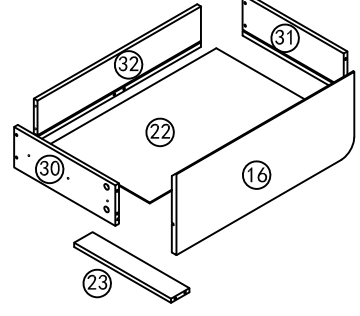
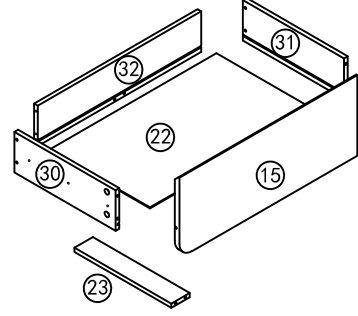
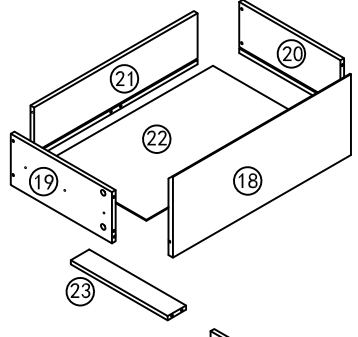
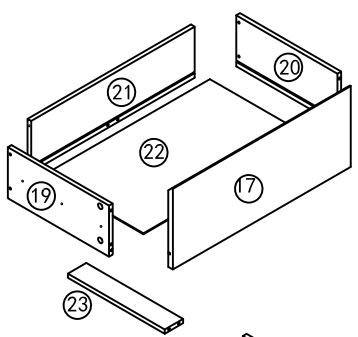
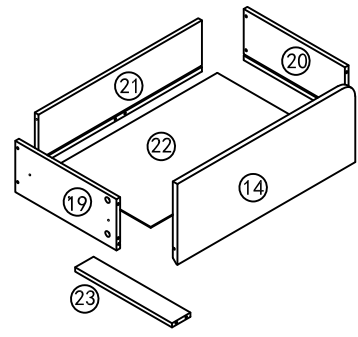
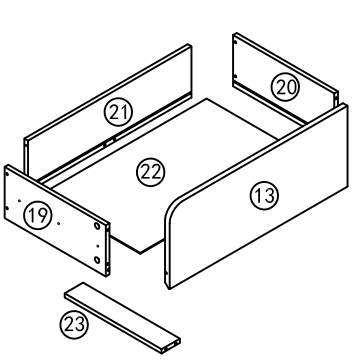
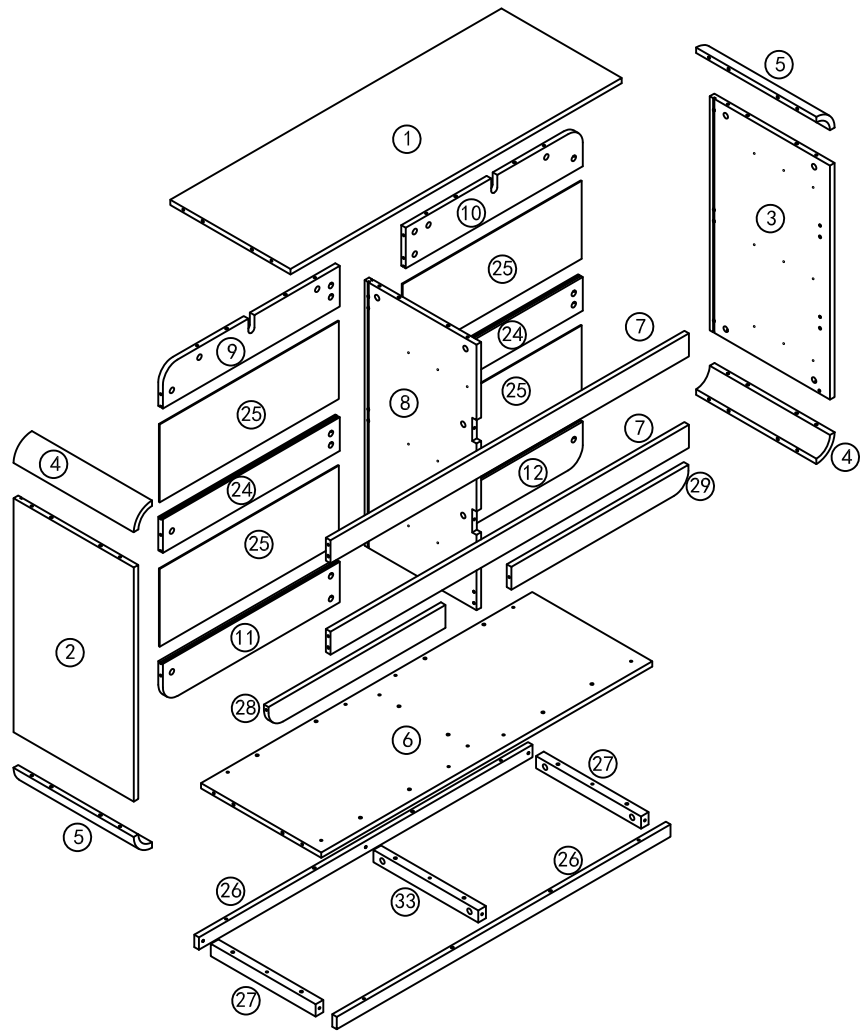

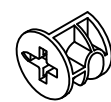
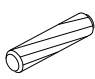
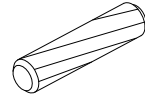
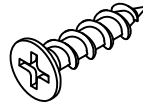
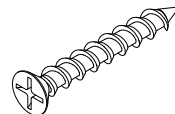
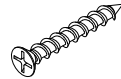
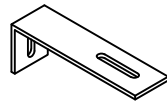
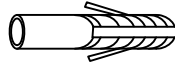
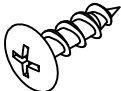
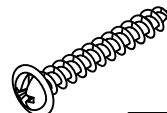
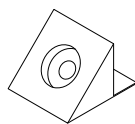
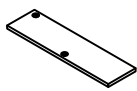
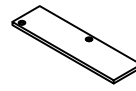

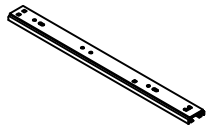



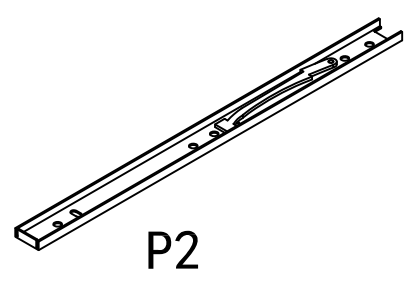
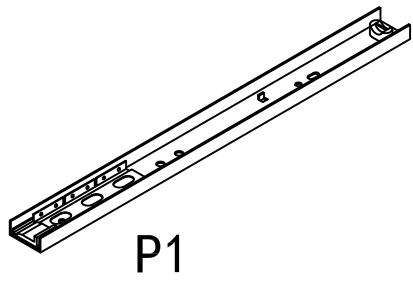
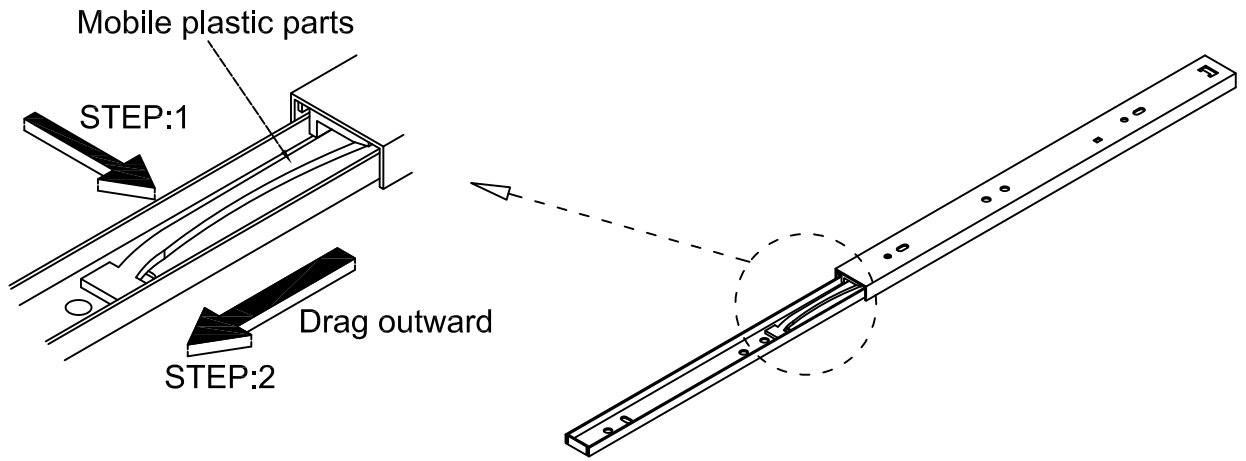
Installation & Assembly



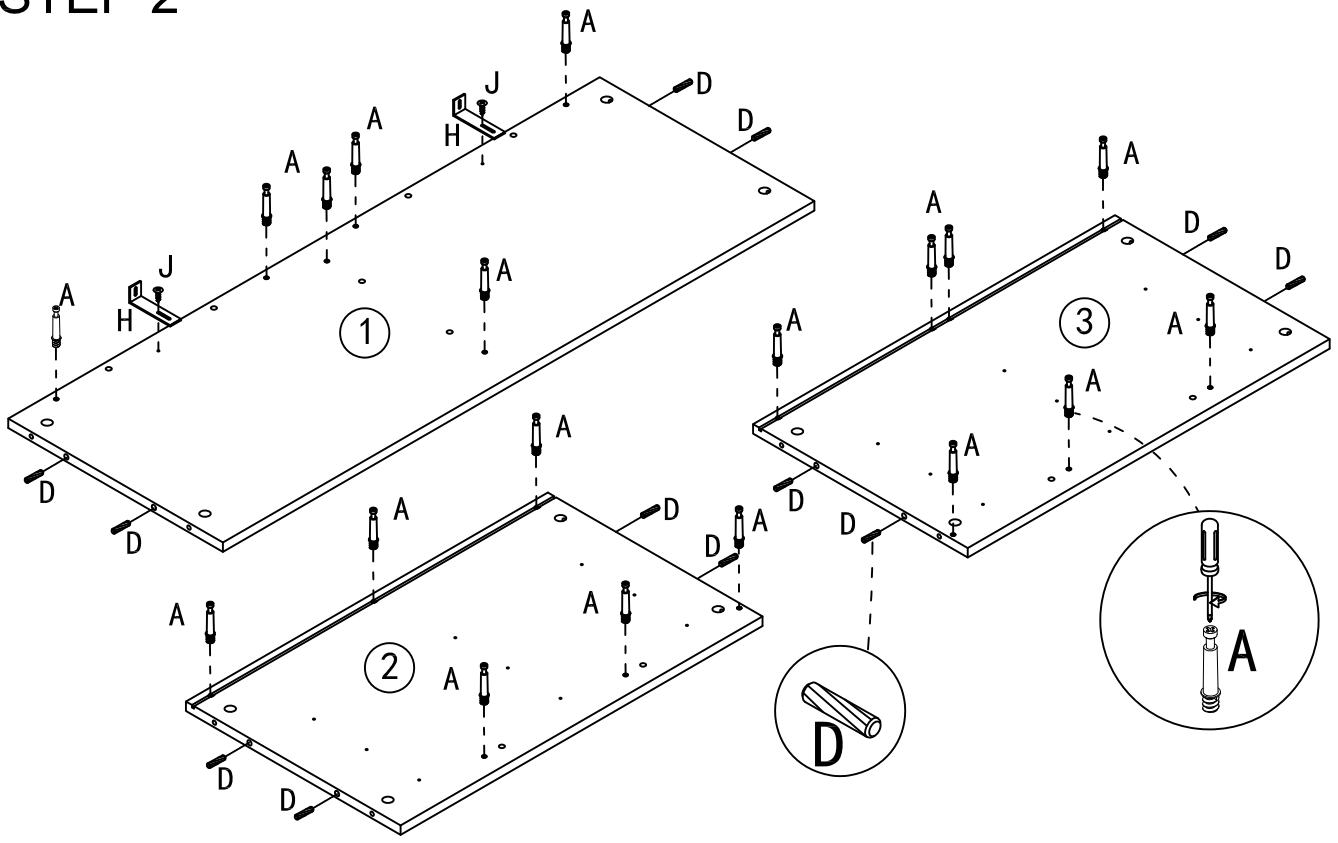



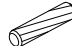


<p>A</p>  <p>φ6*35MM 87+2PCS</p>	<p>B</p>  <p>φ15*9MM 87+2PCS</p>	<p>C</p>  <p>φ6*30MM 12+1PCS</p>
<p>D</p>  <p>φ8*30MM 46+2PCS</p>	<p>E</p>  <p>φ3.5*12MM 72+2PCS</p>	<p>F</p>  <p>φ4*30MM 34+2PCS</p>
<p>G</p>  <p>φ4*40MM 17+2PCS</p>	<p>H</p>  <p>2PCS</p>	<p>I</p>  <p>2PCS</p>
<p>J</p>  <p>φ4*12MM 2PCS</p>	<p>K</p>  <p>φ4*35MM 2PCS</p>	<p>L</p>  <p>16+2PCS</p>
<p>M</p>  <p>1PCS</p>	<p>N</p>  <p>1PCS</p>	<p>O</p>  <p>6PCS</p>
<p>P</p>  <p>12PCS</p>	<p>Q</p>  <p>φ3*16MM 16+2PCS</p>	

STEP 1

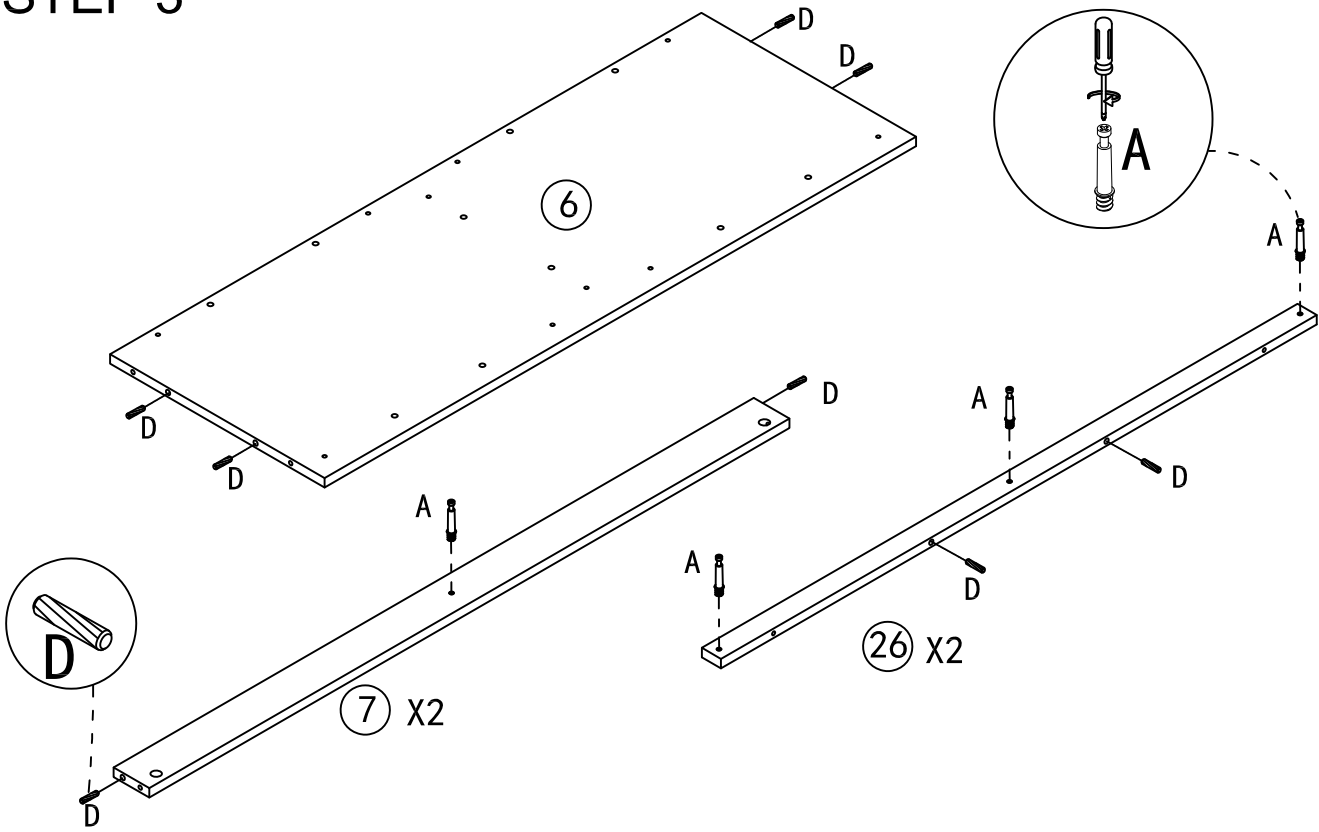



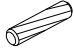
STEP 2



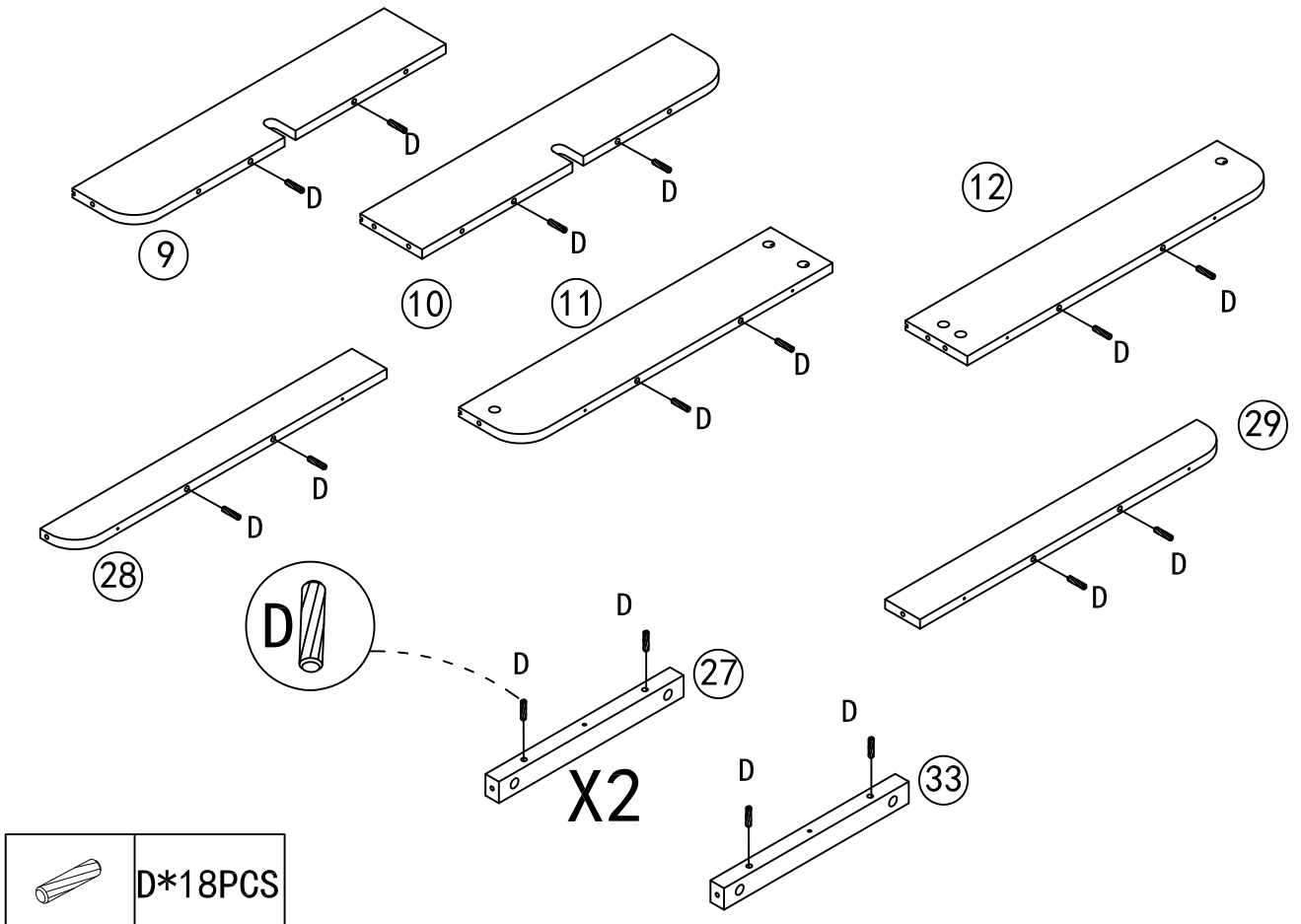
	A*19PCS		D*12PCS		H*2PCS		J*2PCS
--	---------	---	---------	---	--------	--	--------


STEP 3



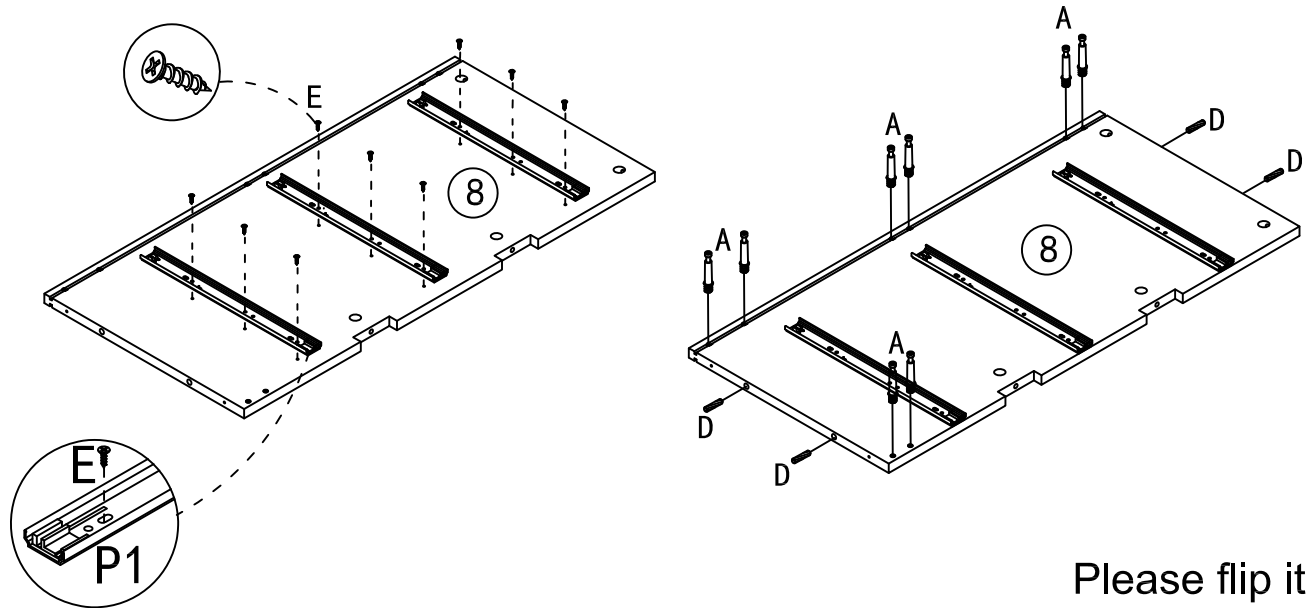
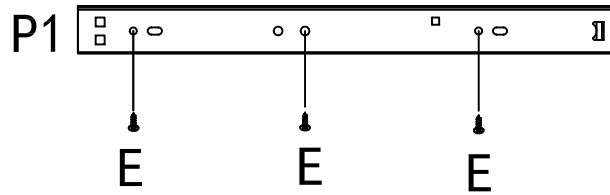
	A*8PCS		D*12PCS
---	--------	--	---------

STEP 4



	D*18PCS
---	---------

STEP 5

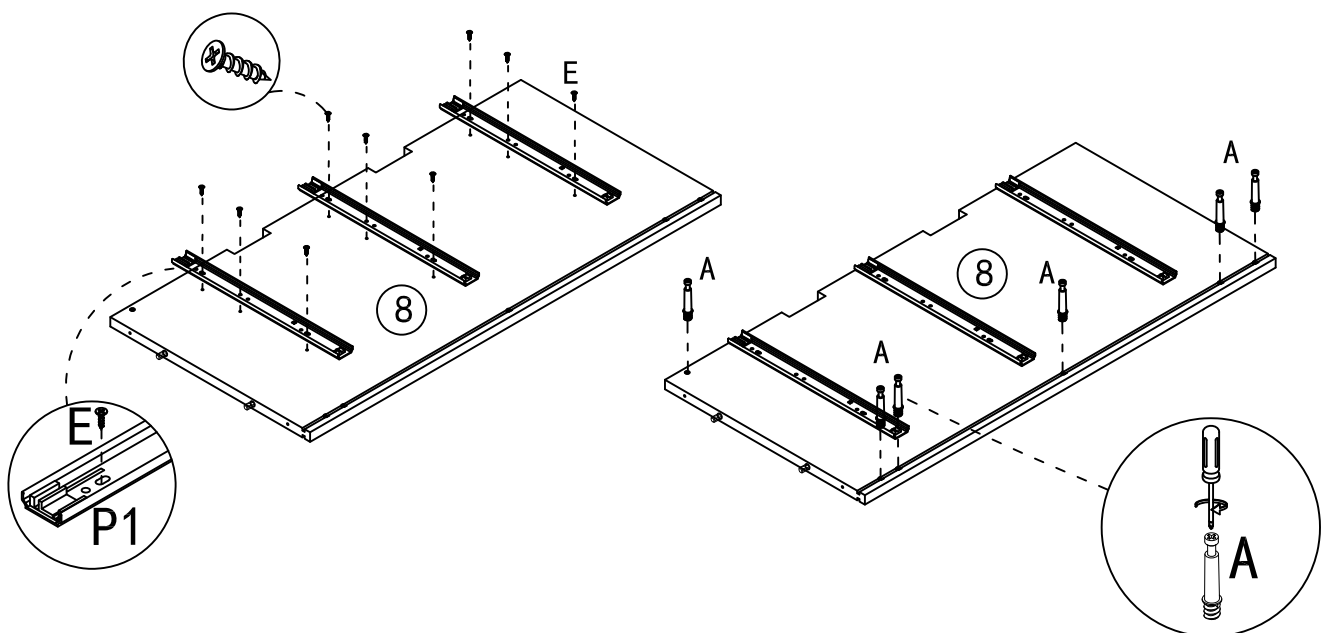
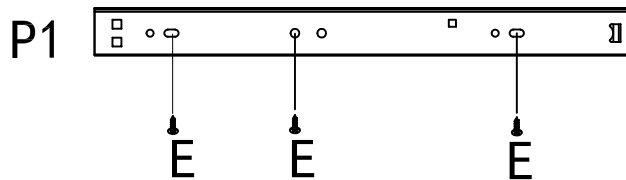


Please flip it 180°

	E*9PCS		P1*3PCS		A*8PCS		D*4PCS
--	--------	--	---------	--	--------	--	--------

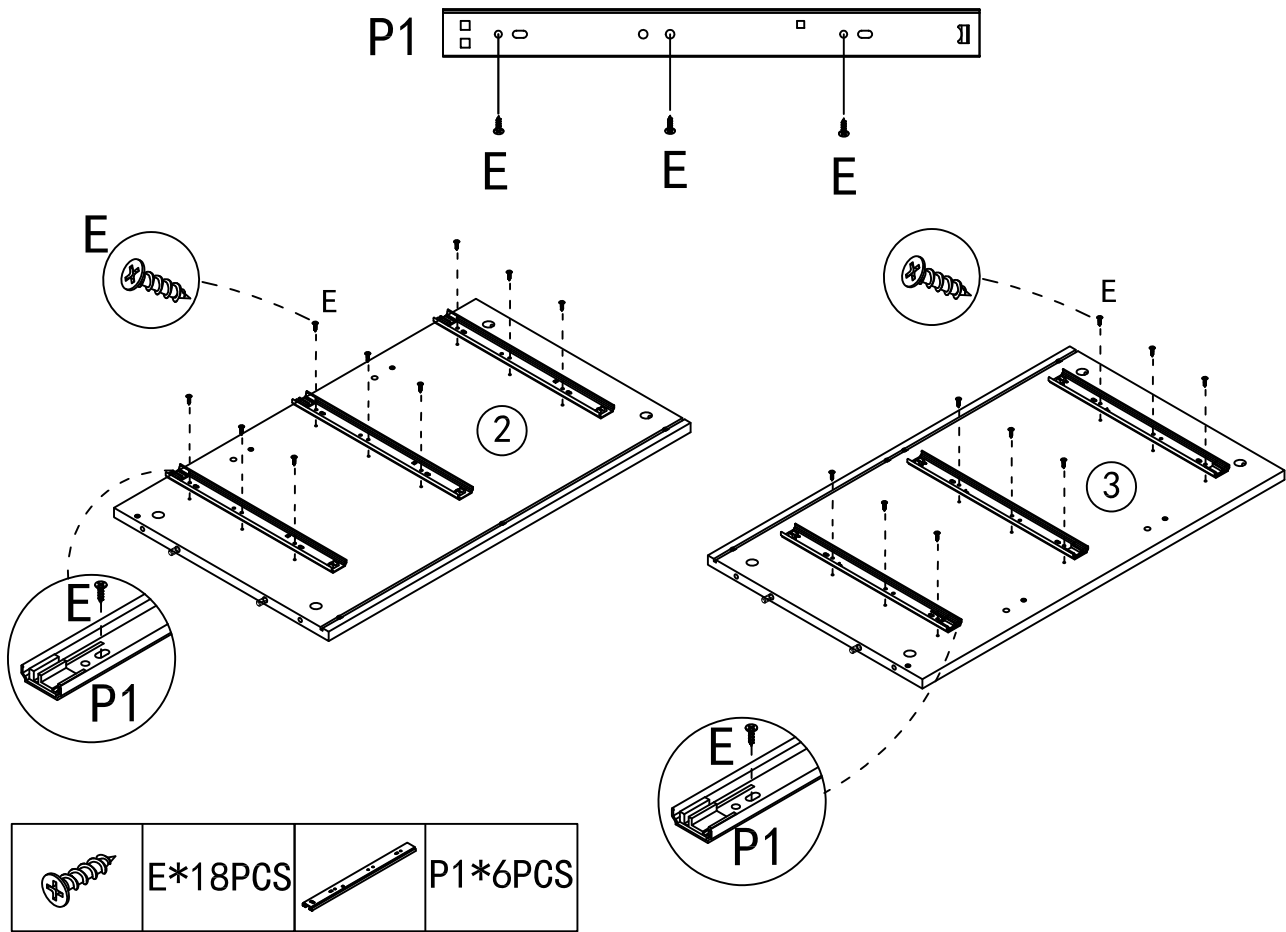


STEP 6

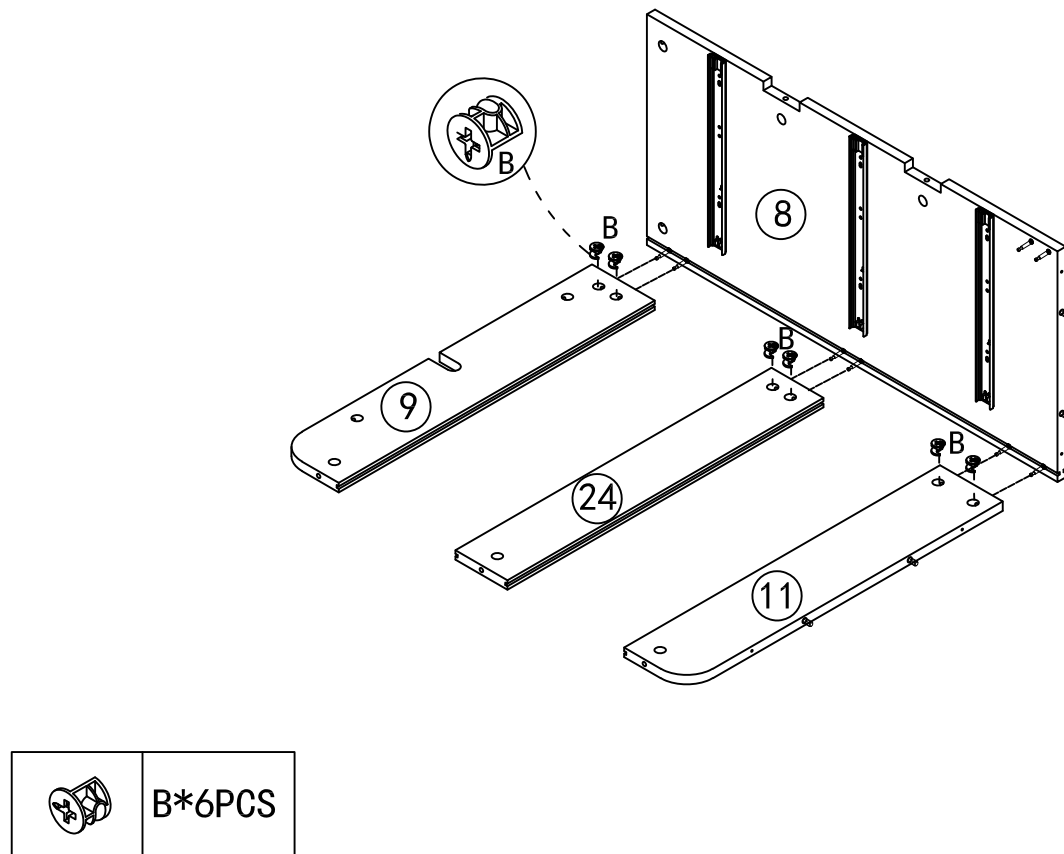


	E*9PCS		P1*3PCS		A*6PCS
--	--------	--	---------	--	--------

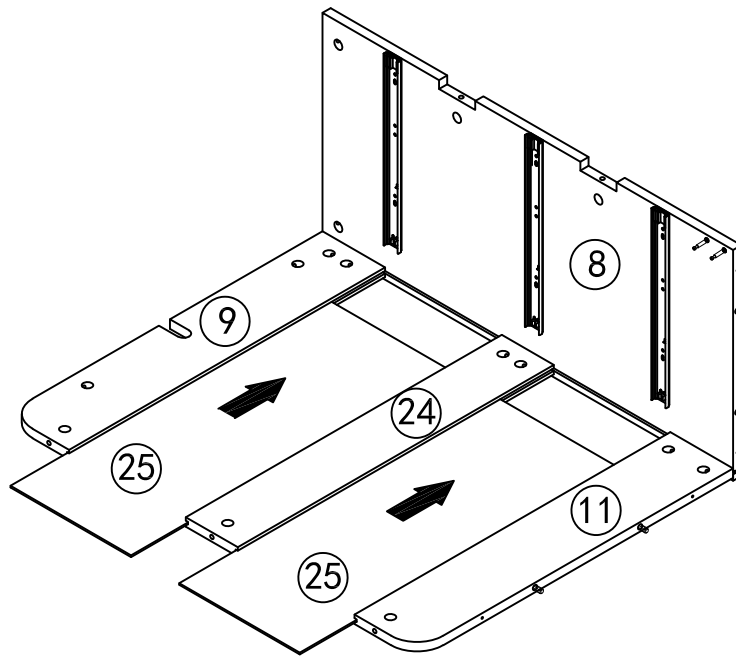
STEP 7



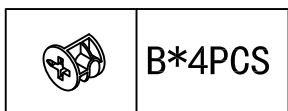
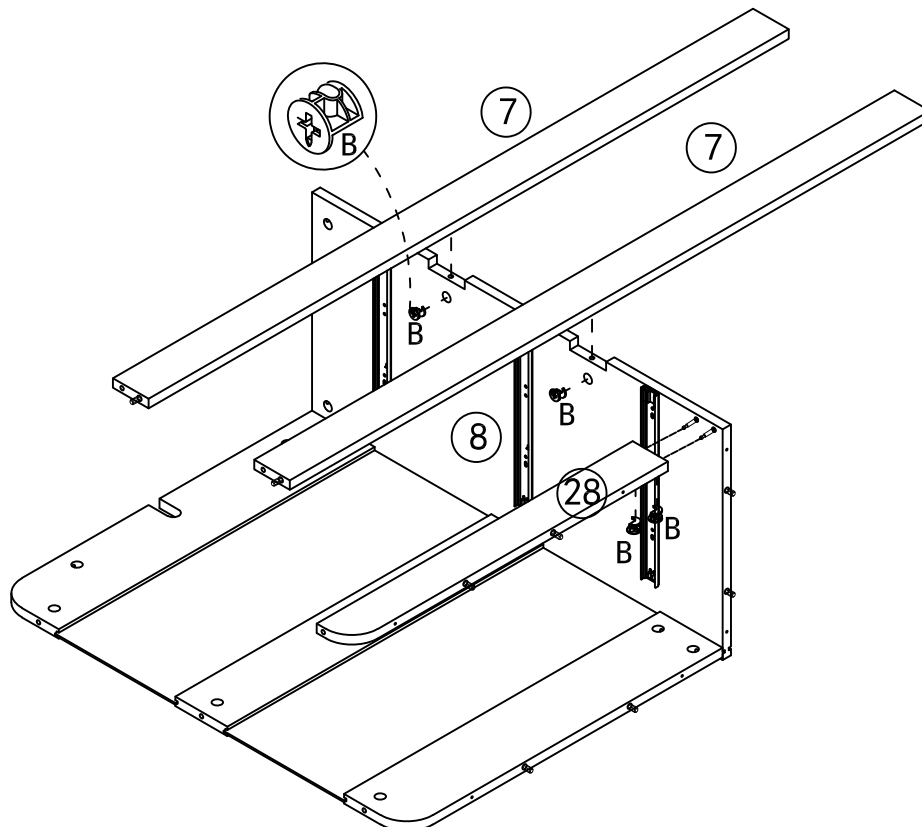
STEP 8



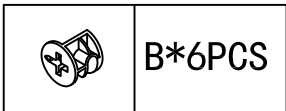
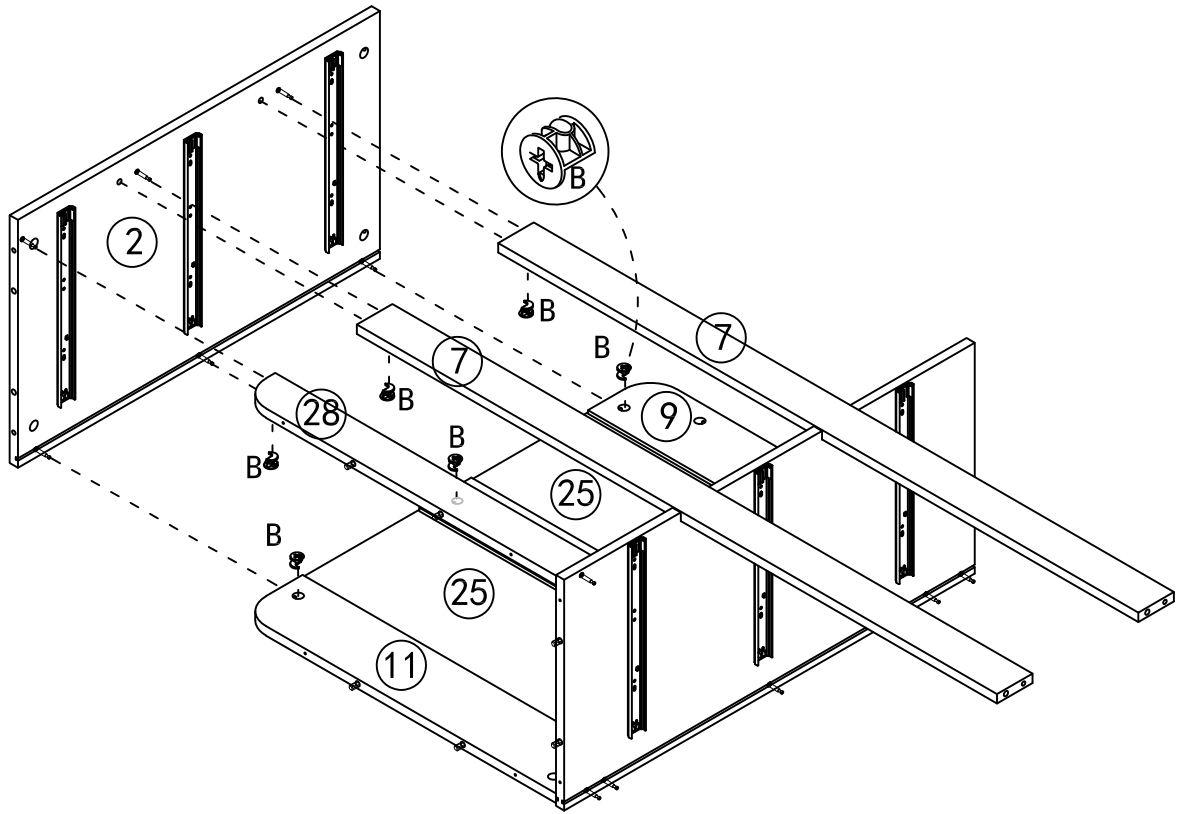
STEP 9



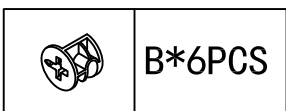
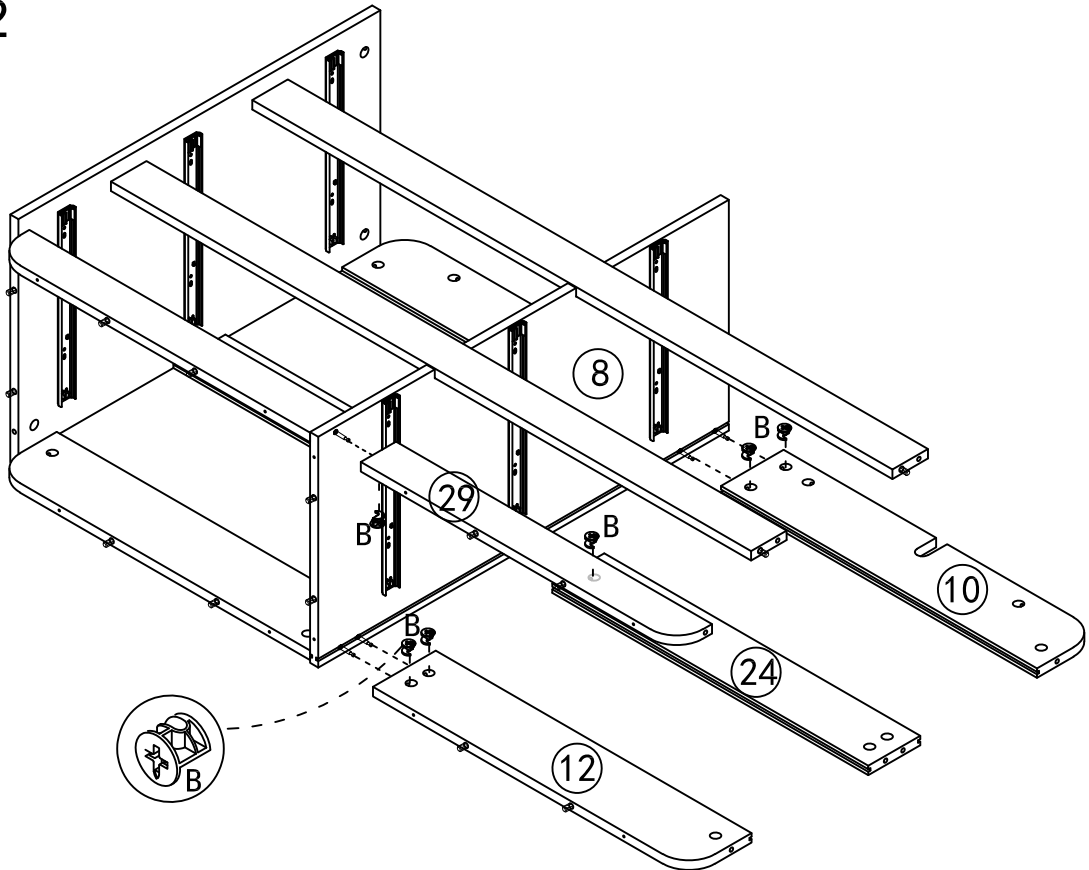
STEP 10



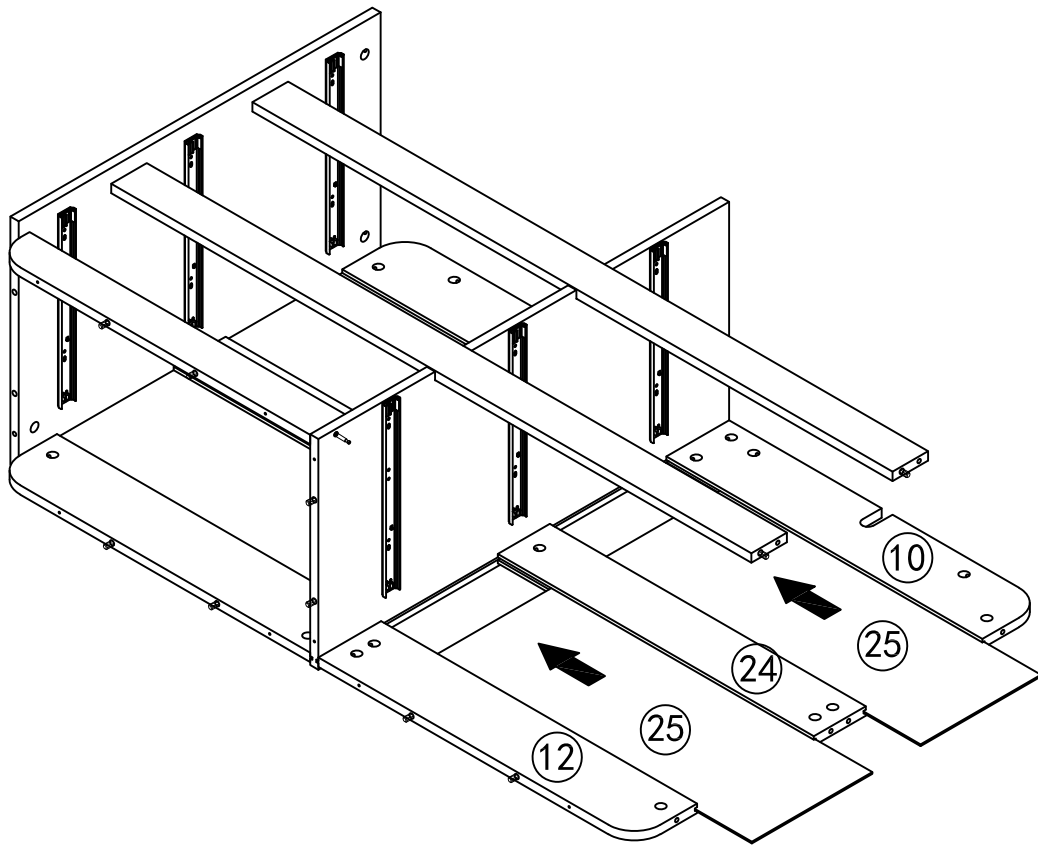
STEP 11



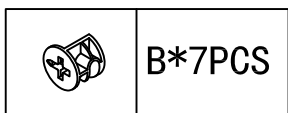
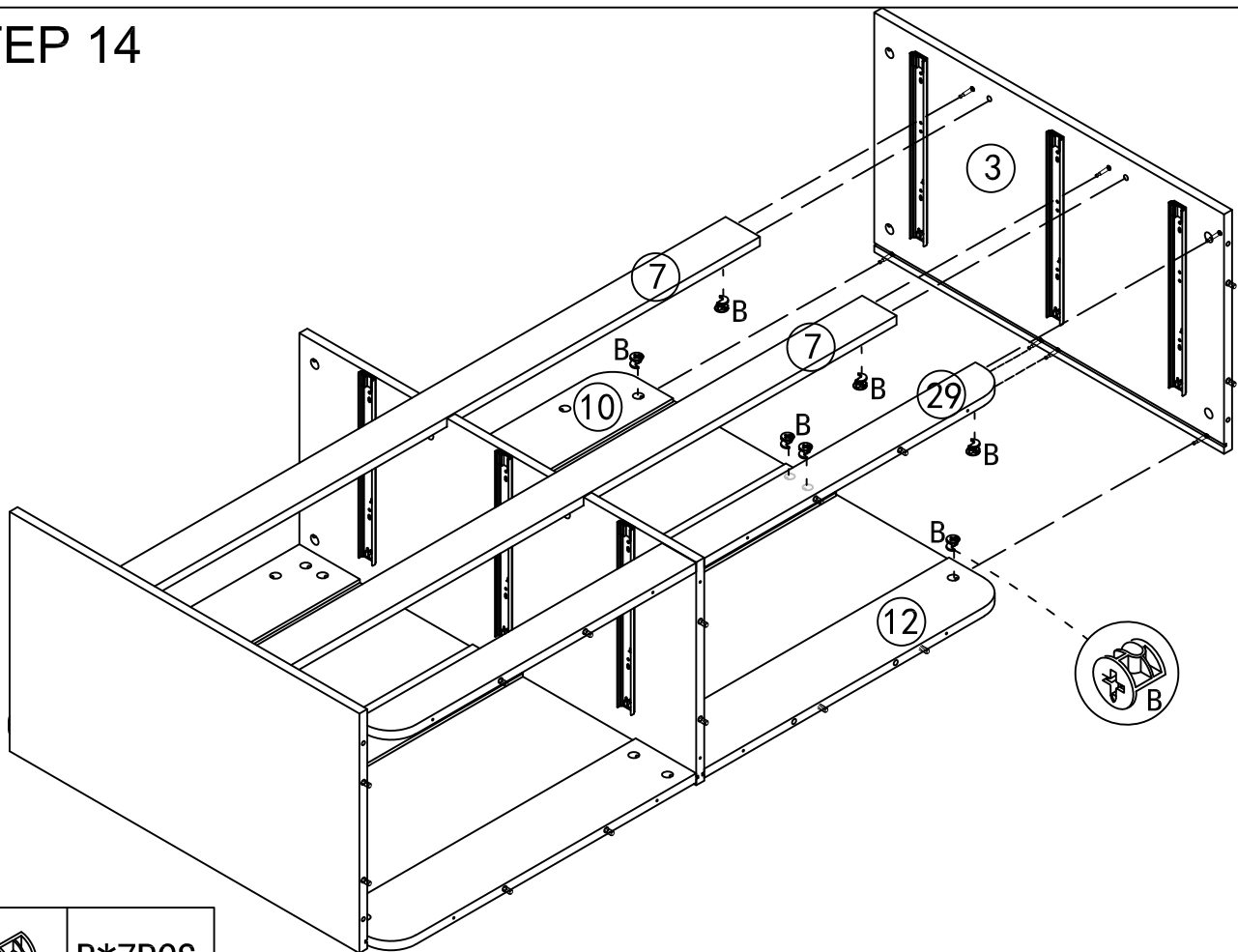
STEP 12



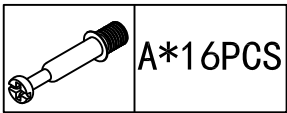
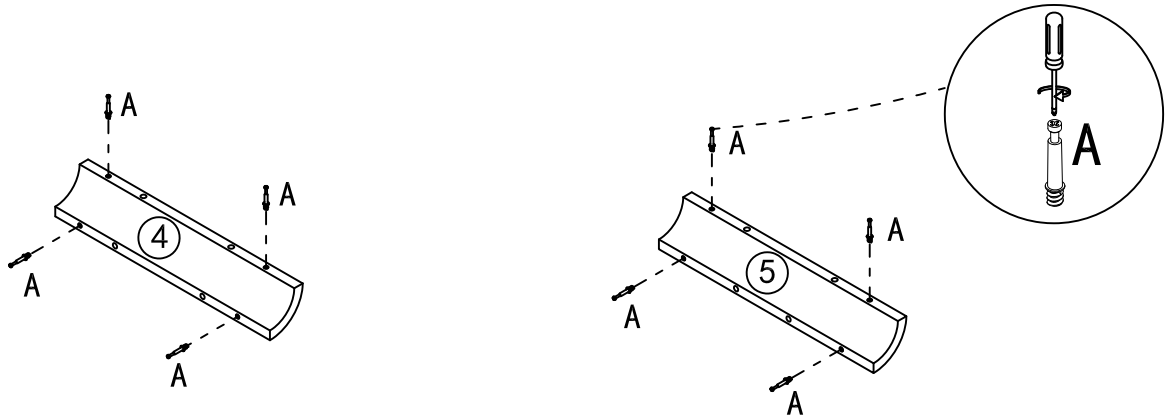
STEP 13



STEP 14

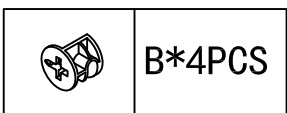
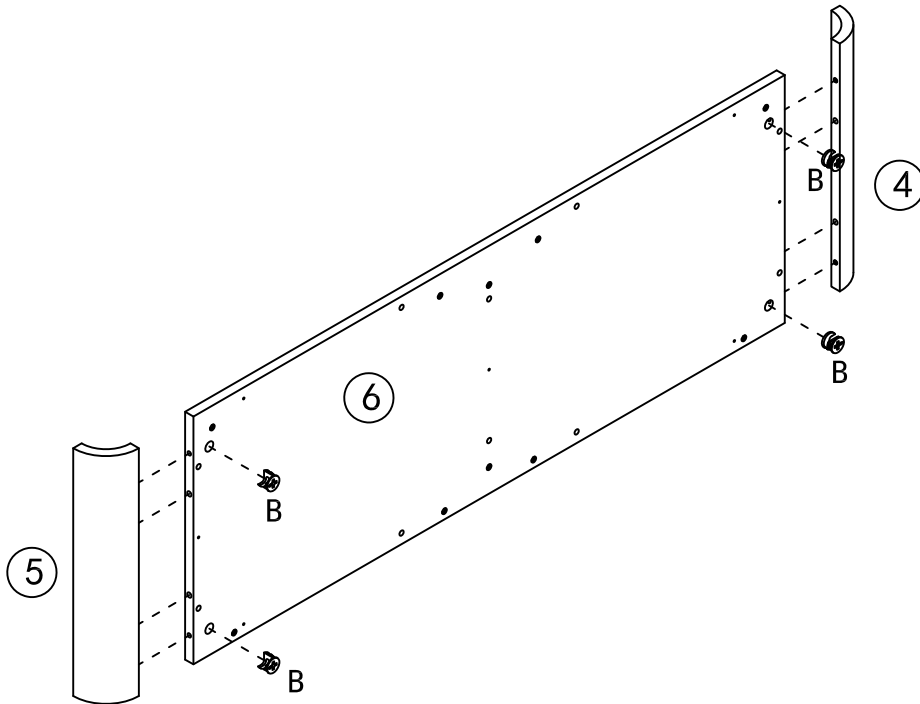


STEP 15

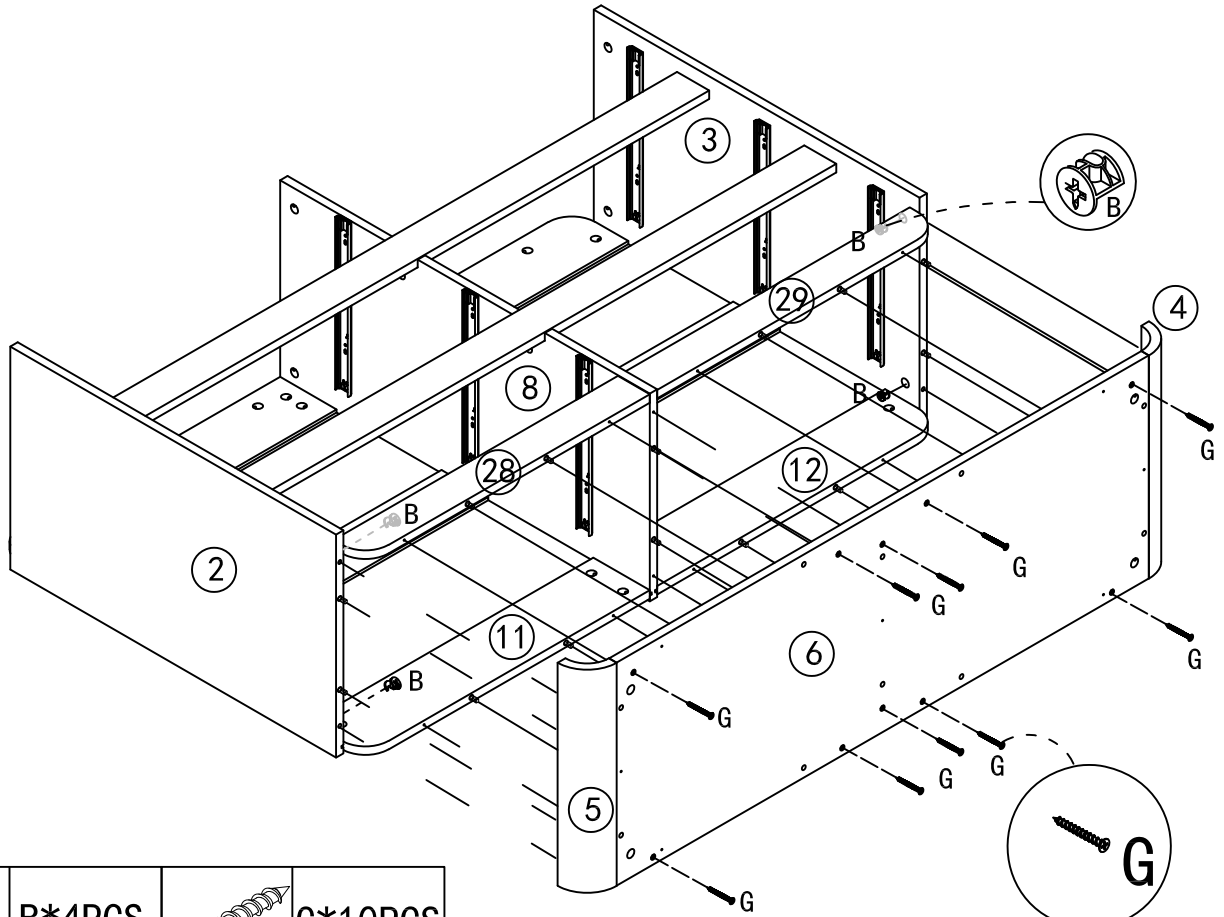



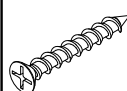
X2

STEP 16

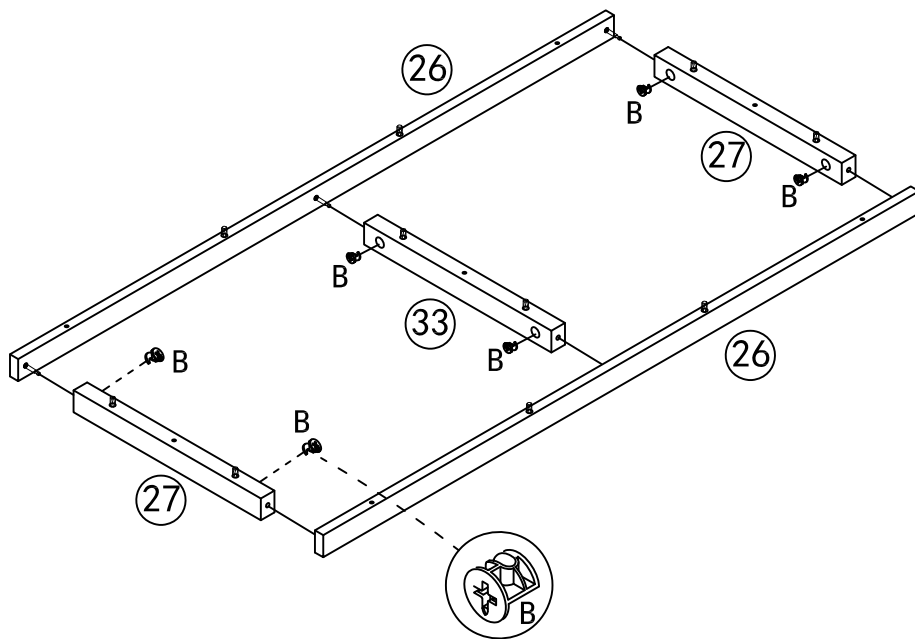



STEP 17



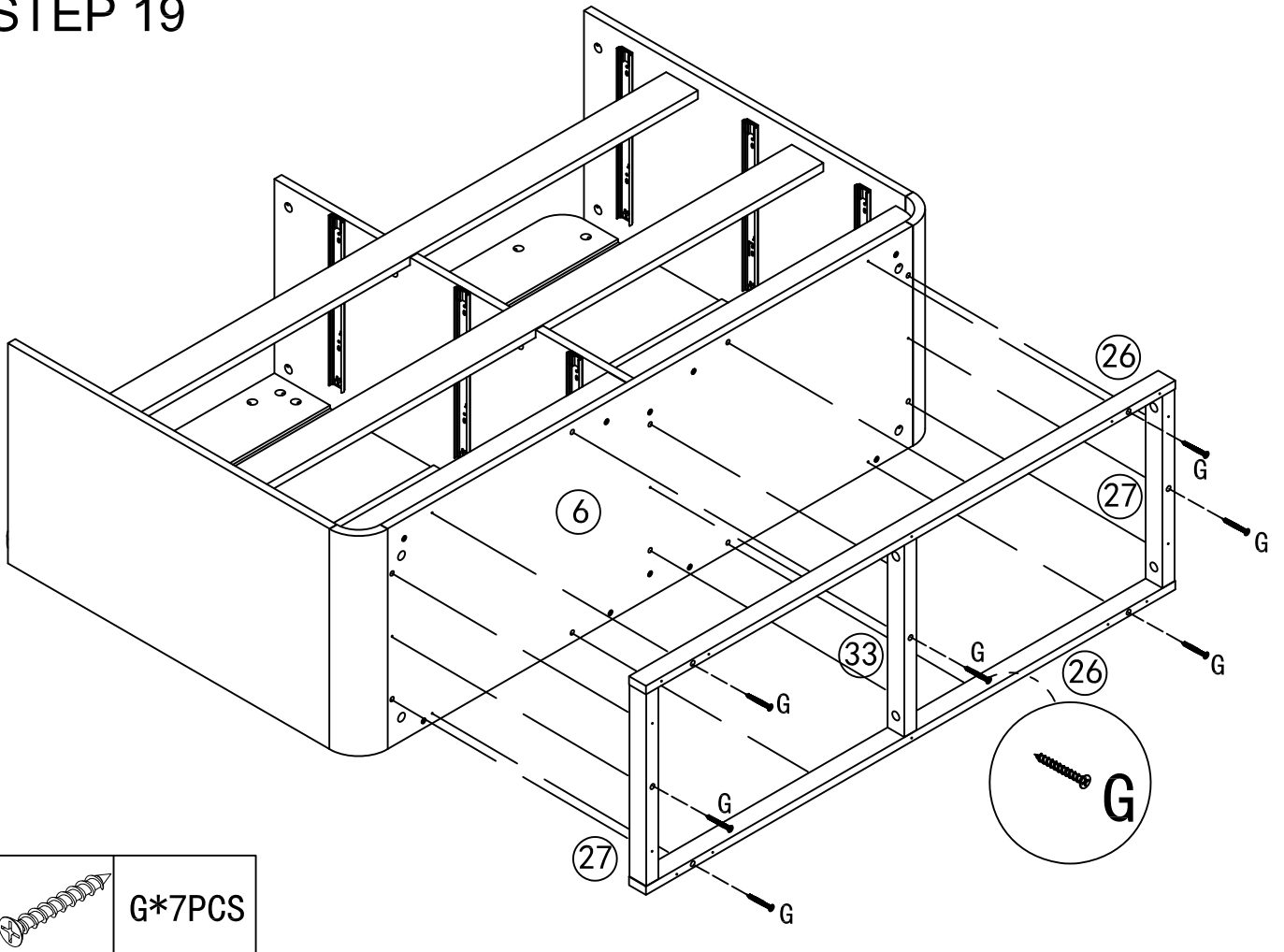
	B*4PCS		G*10PCS
---	--------	--	---------

STEP 18

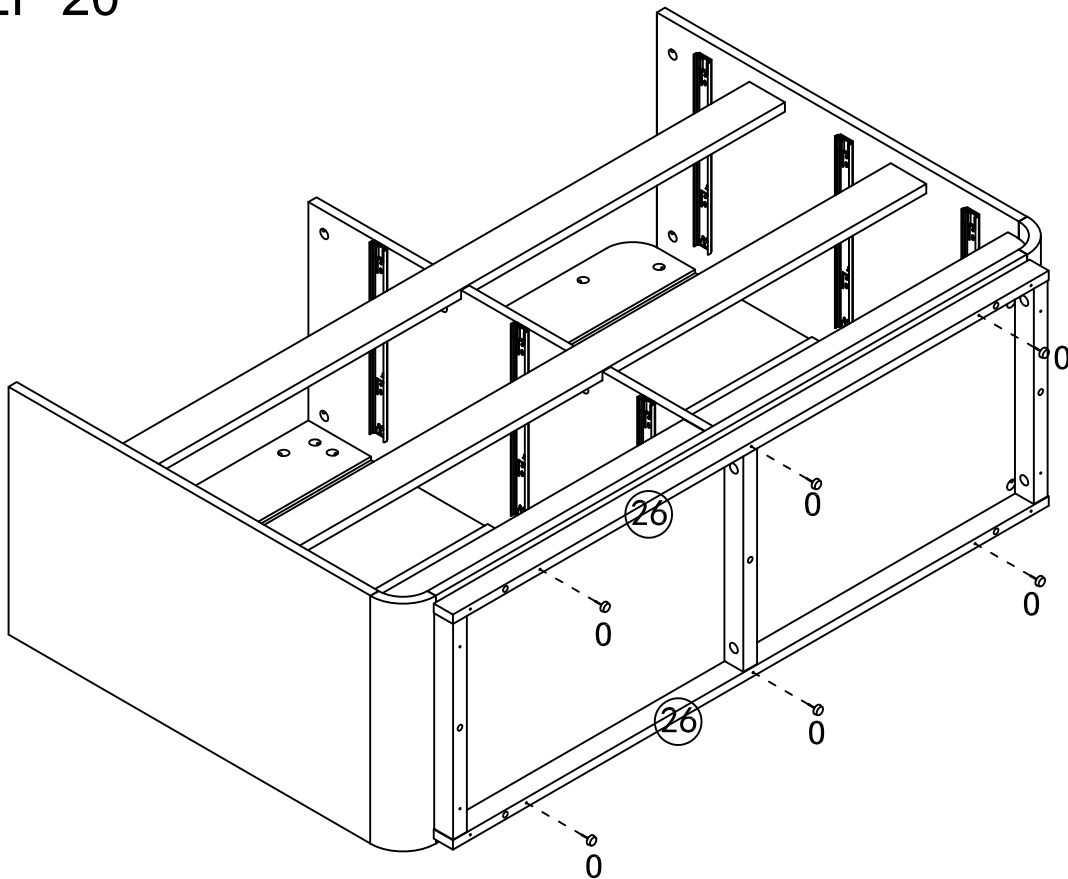


	B*6PCS
---	--------

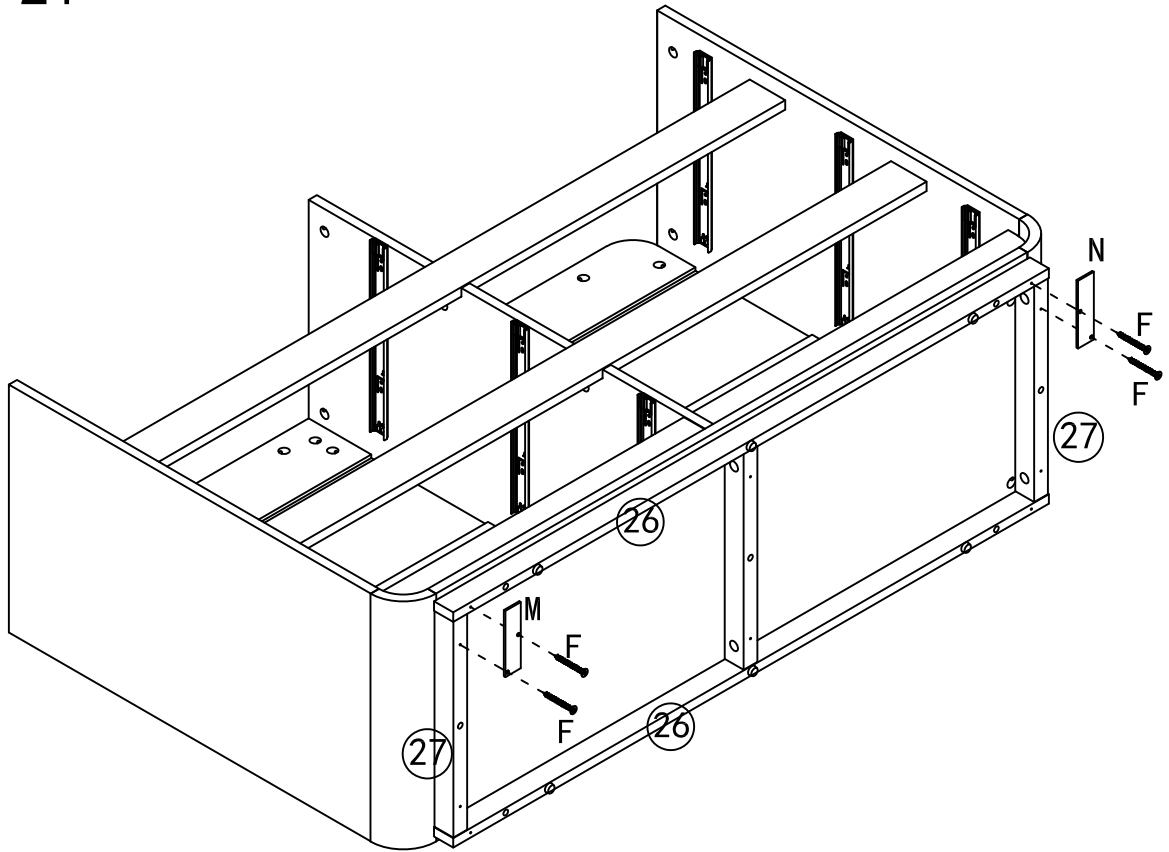
STEP 19






STEP 20

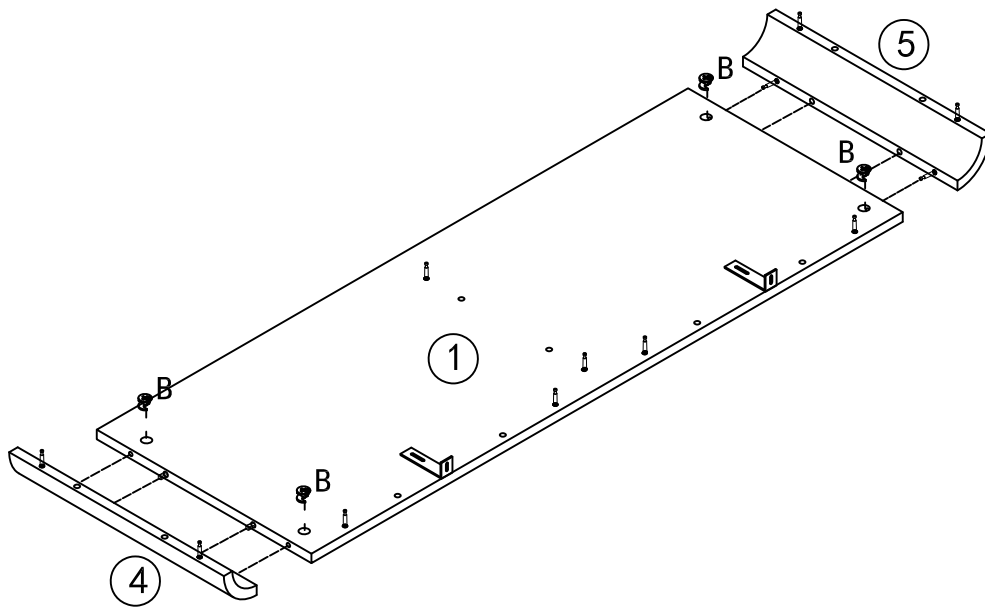



STEP 21



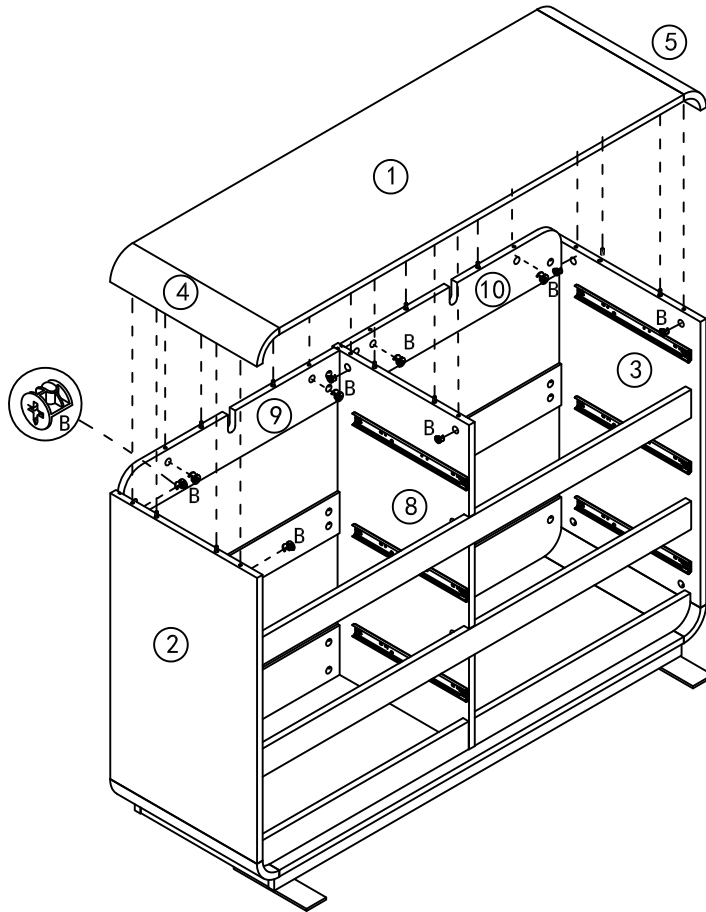
	F*4PCS		M*1PCS		N*1PCS
---	--------	---	--------	---	--------

STEP 22

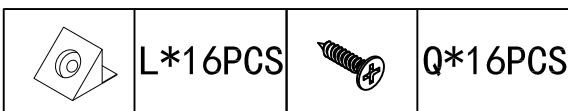
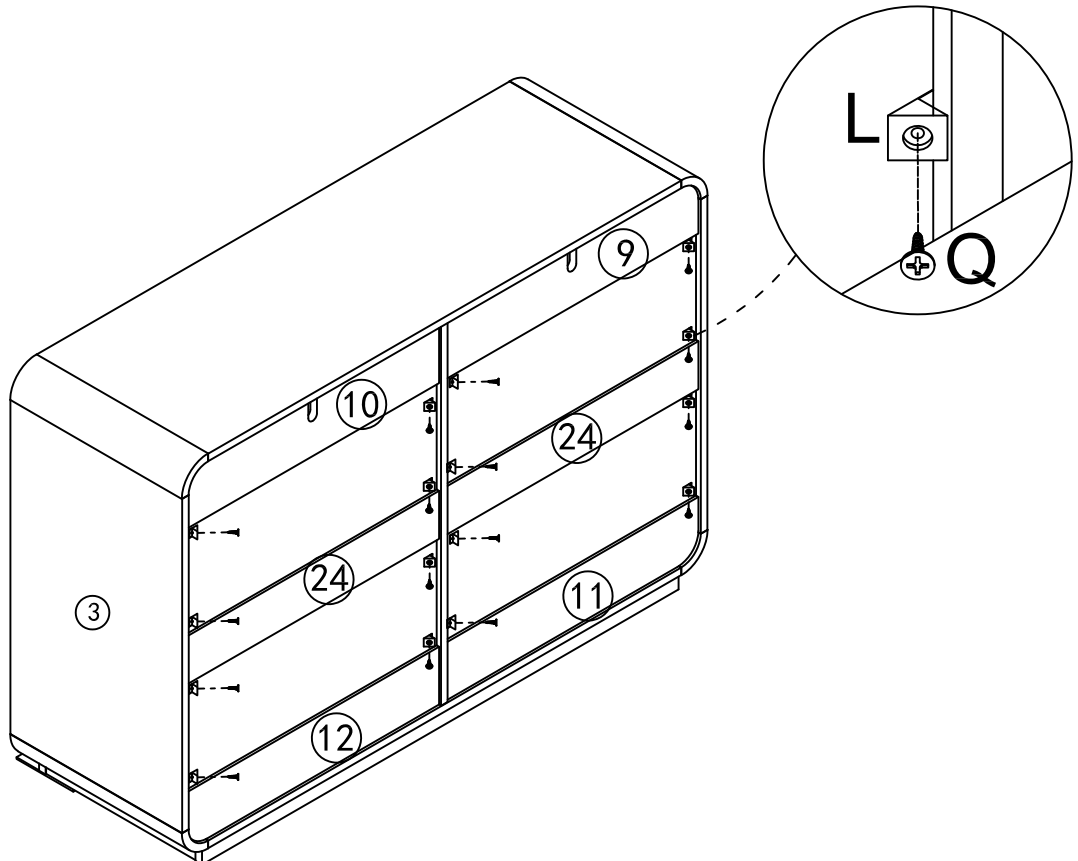


	B*4PCS
---	--------

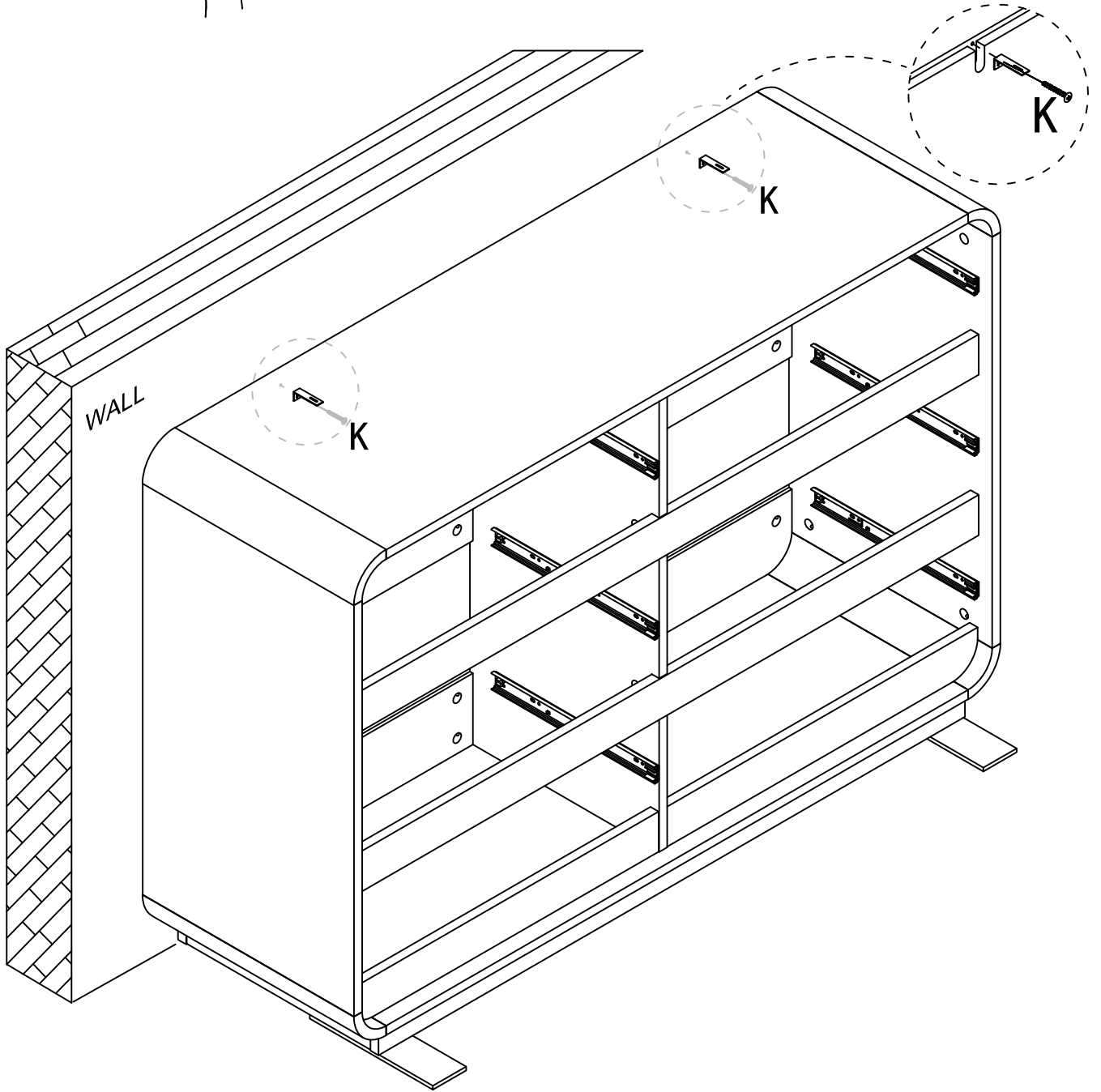
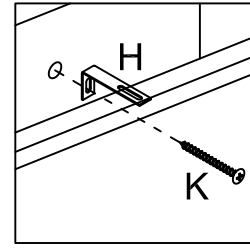
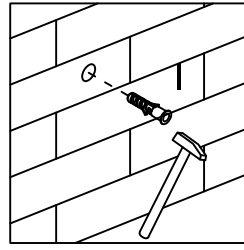
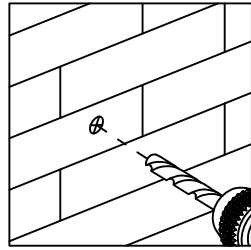
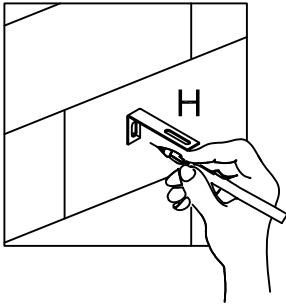
STEP 23


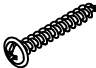


STEP 24

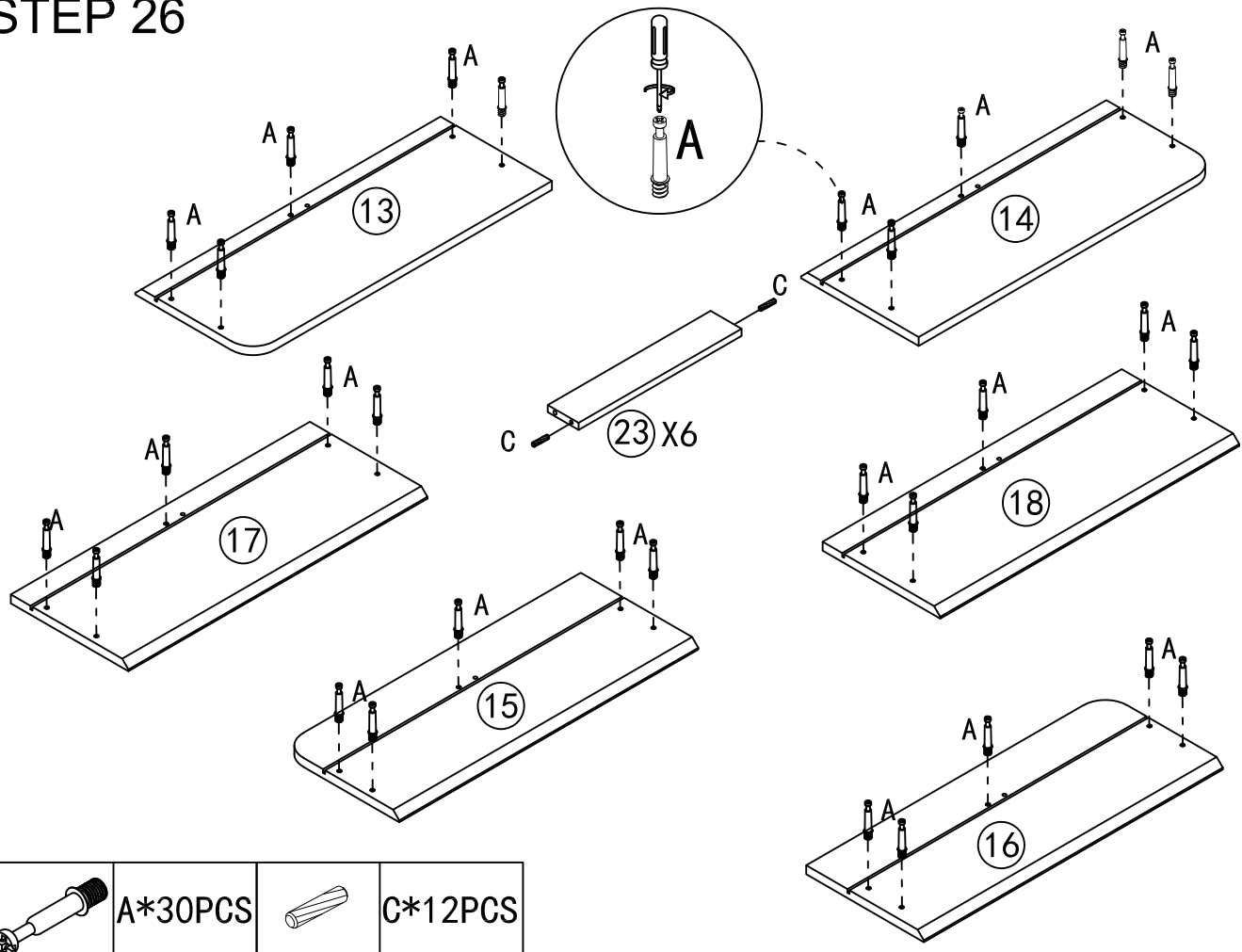


STEP 25

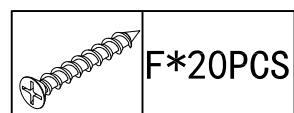
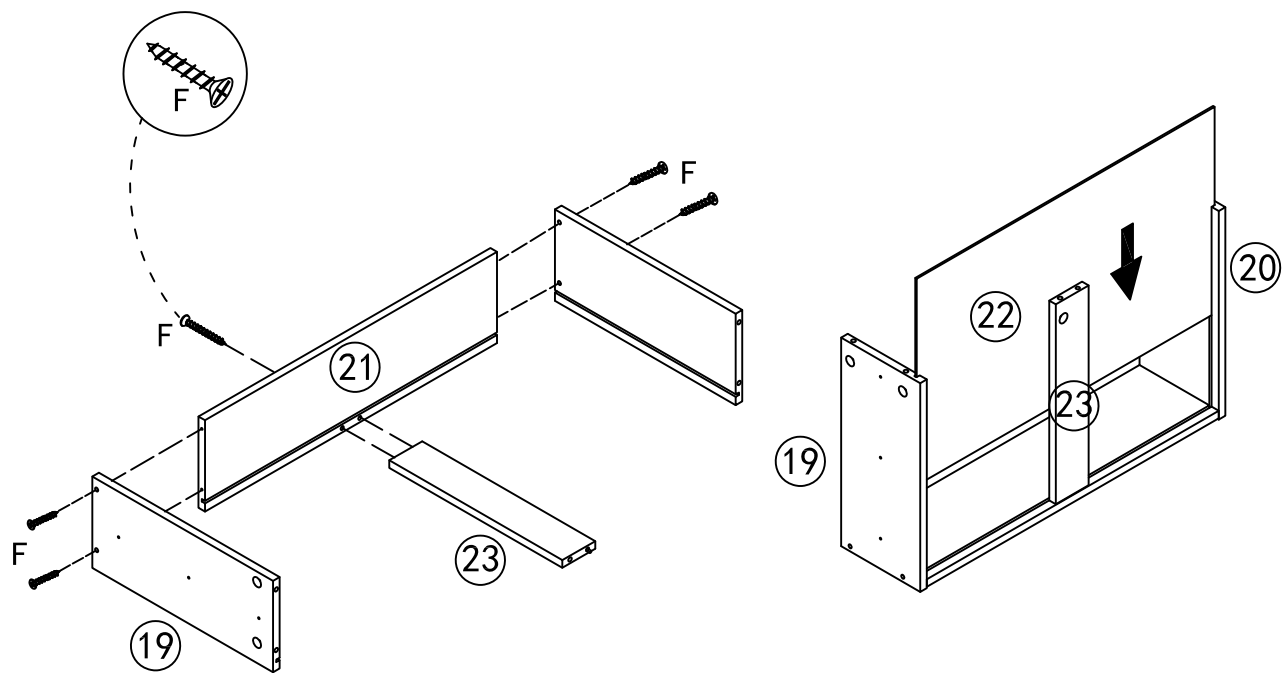


	I*2PCS		K*2PCS
---	--------	---	--------

STEP 26

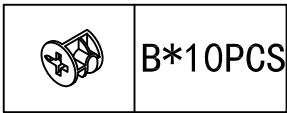
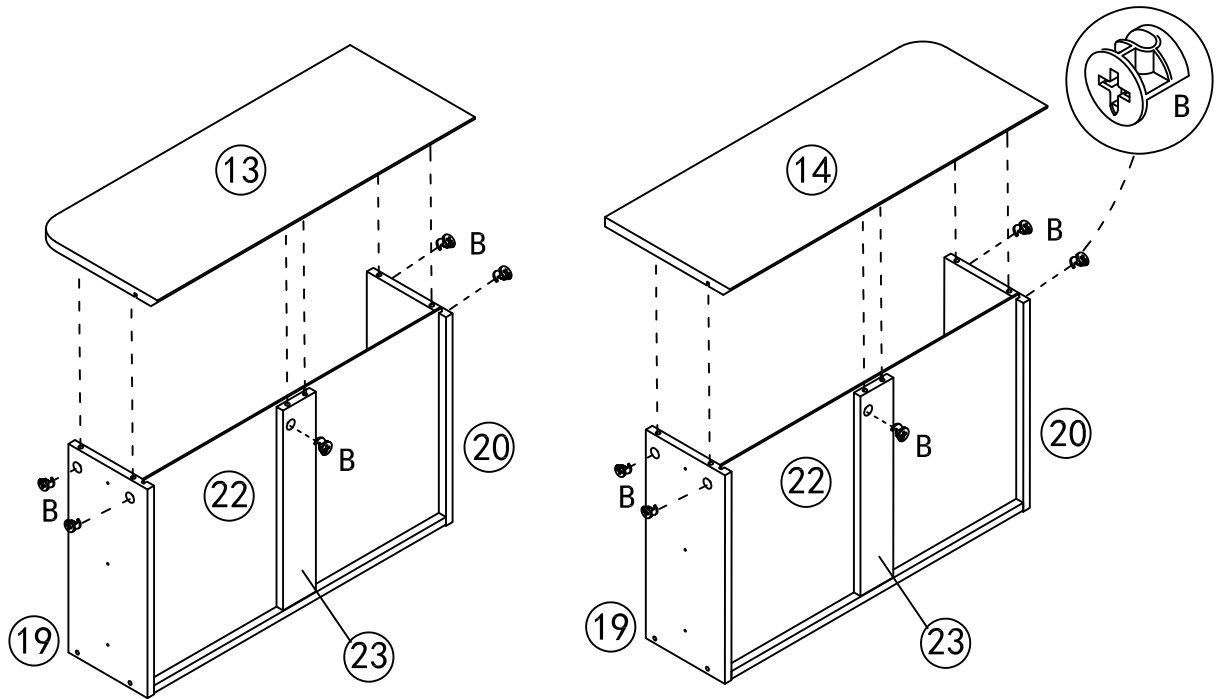


STEP 27

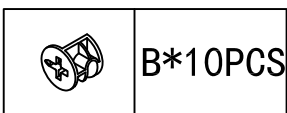
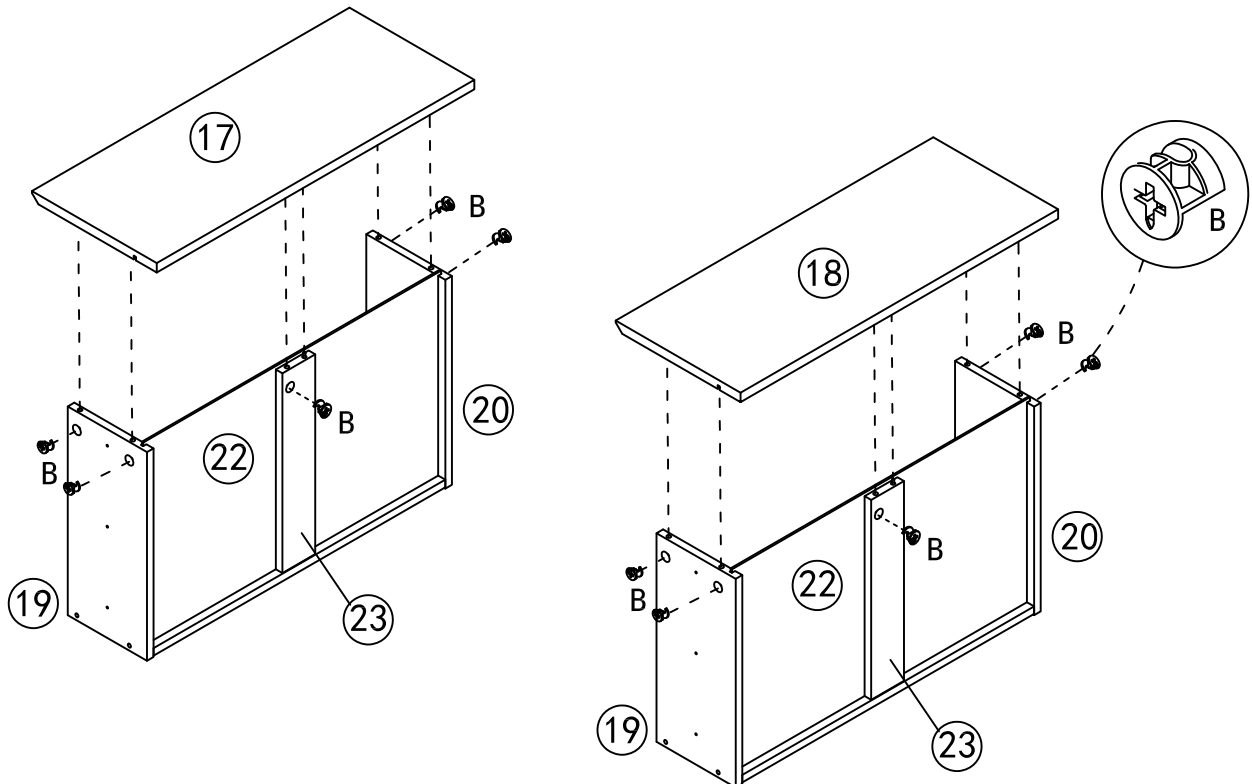


X4

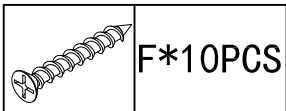
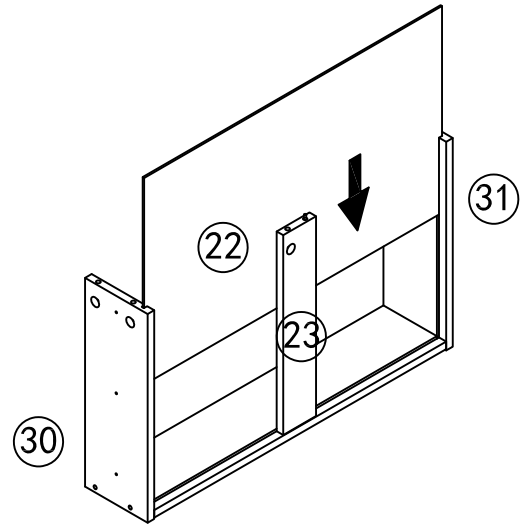
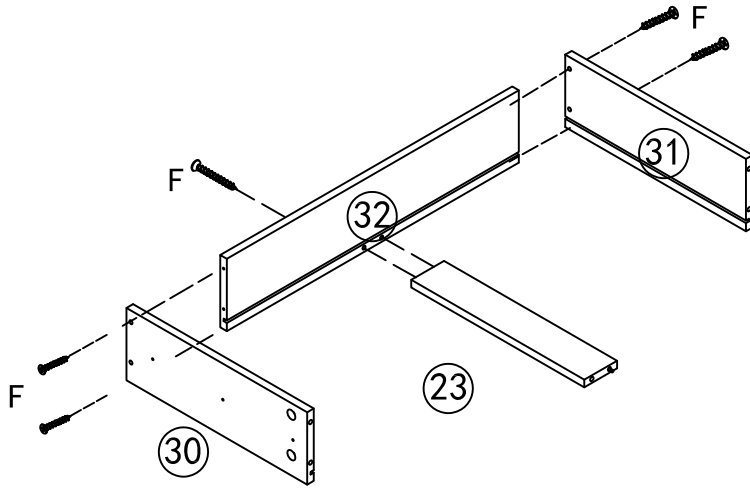
STEP 28



STEP 29

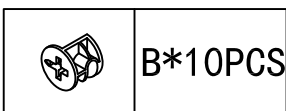
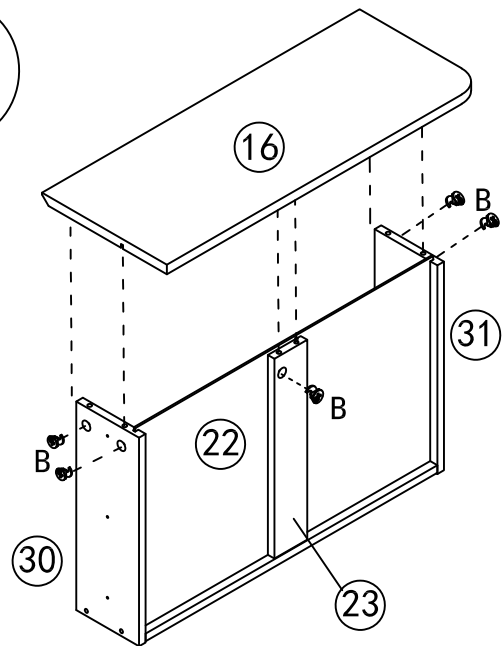
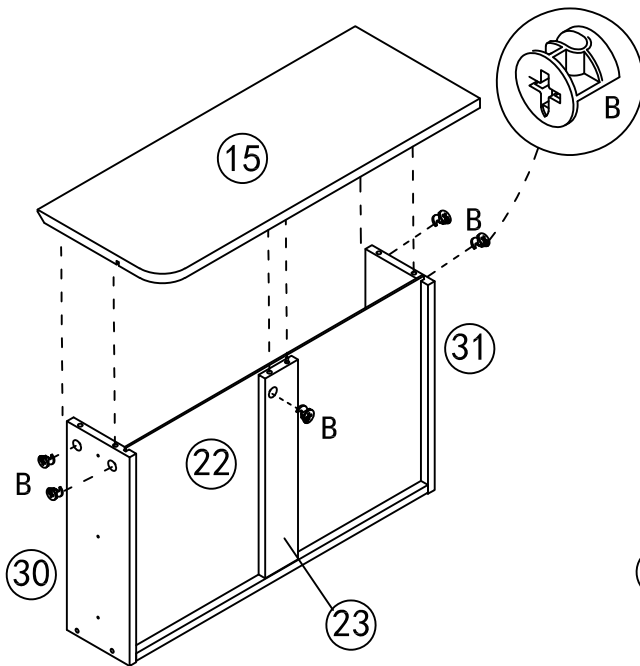


STEP 30

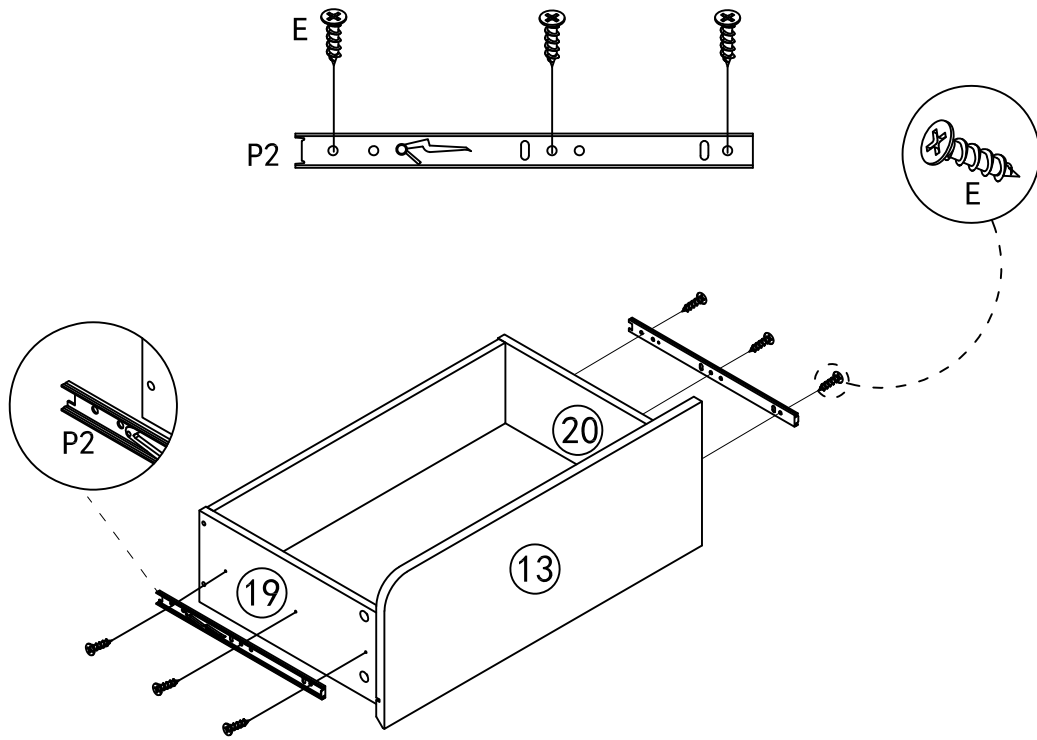




X2

STEP 31

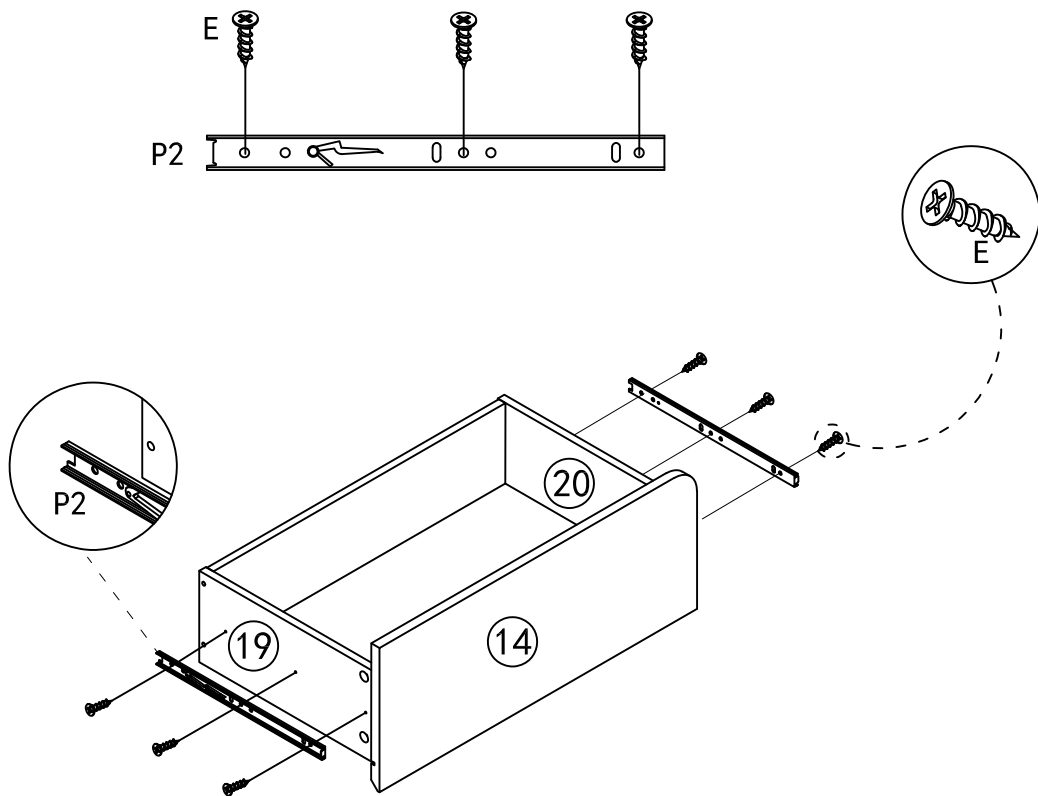




STEP 32



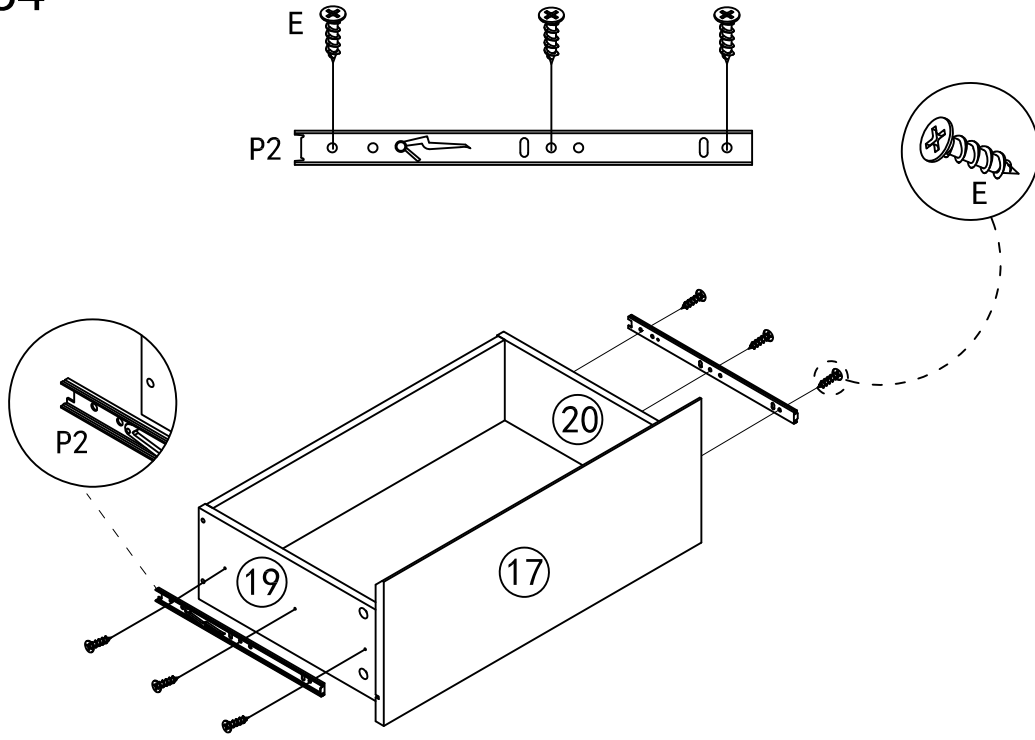
	E*6PCS		P2*2PCS
---	--------	---	---------



STEP 33



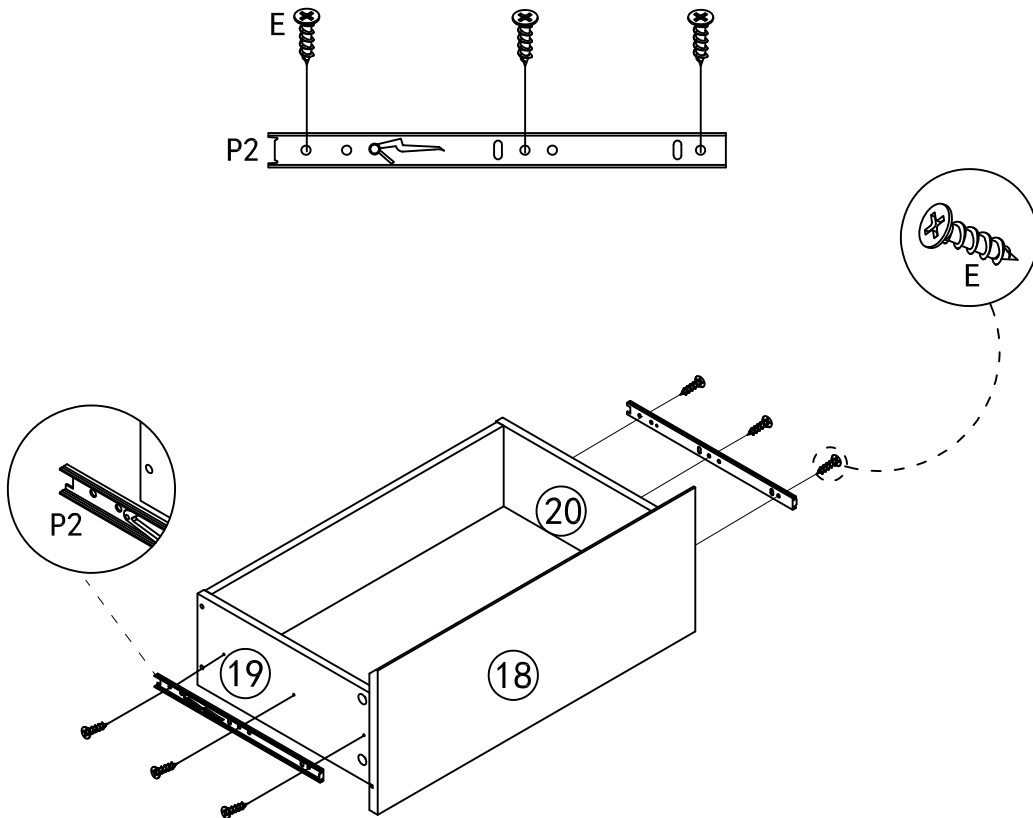
	E*6PCS		P2*2PCS
---	--------	---	---------



STEP 34



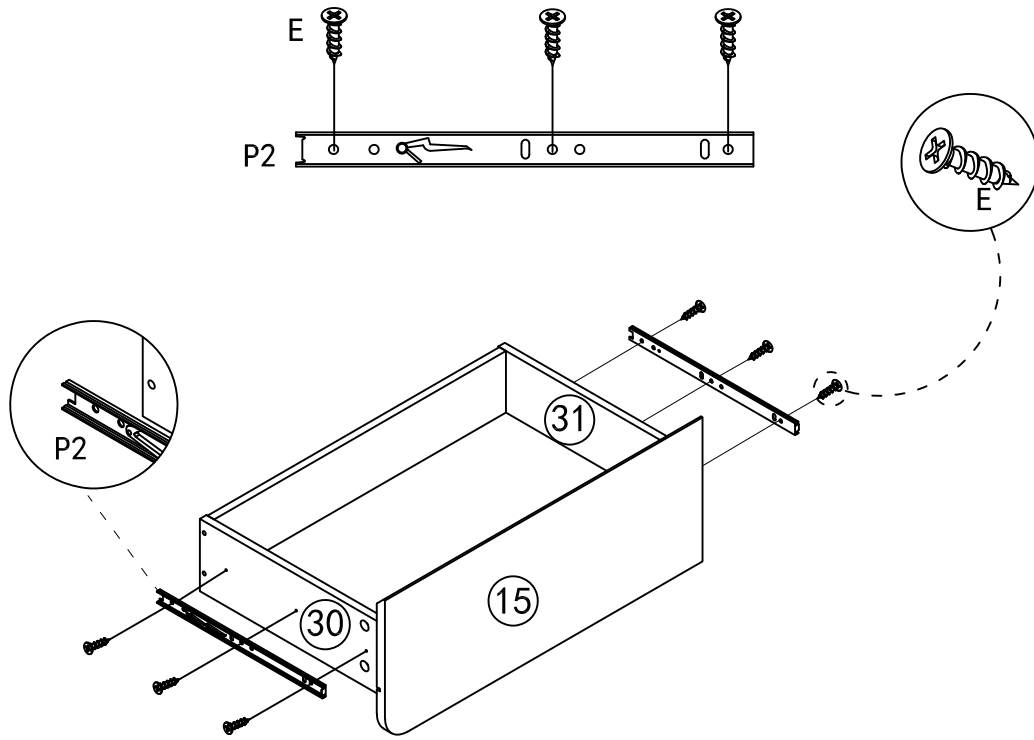
	E*6PCS		P2*2PCS
---	--------	---	---------



STEP 35



	E*6PCS		P2*2PCS
---	--------	---	---------

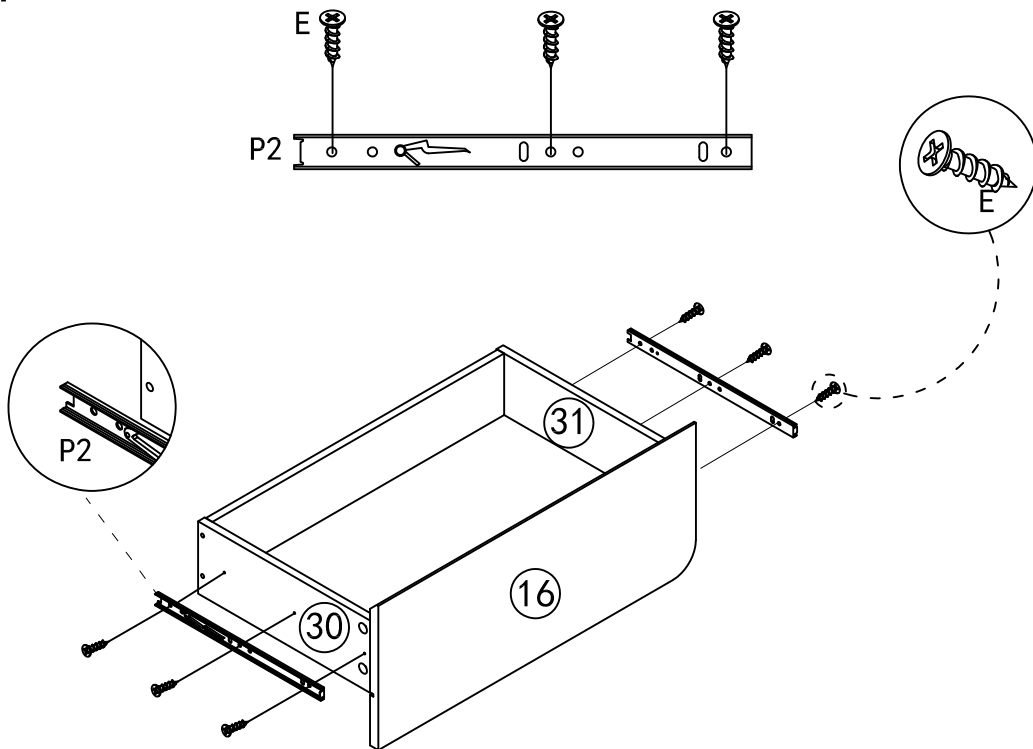
STEP 36





	E*6PCS		P2*2PCS
---	--------	---	---------

STEP 37

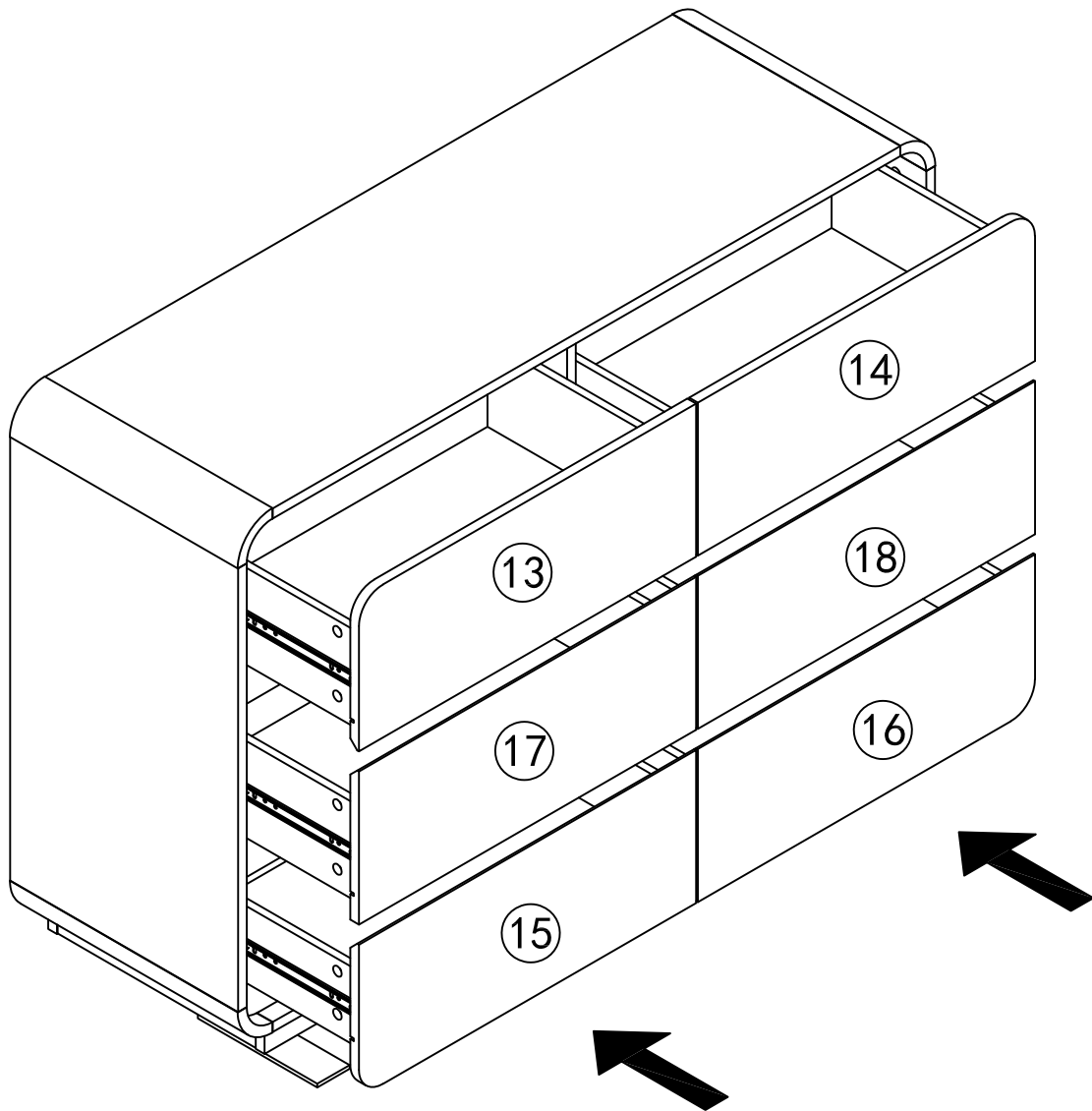
-19-



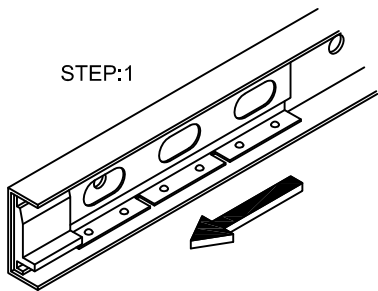
	E*6PCS		P2*2PCS
---	--------	---	---------

-19-

STEP 38



STEP:1



STEP:2

