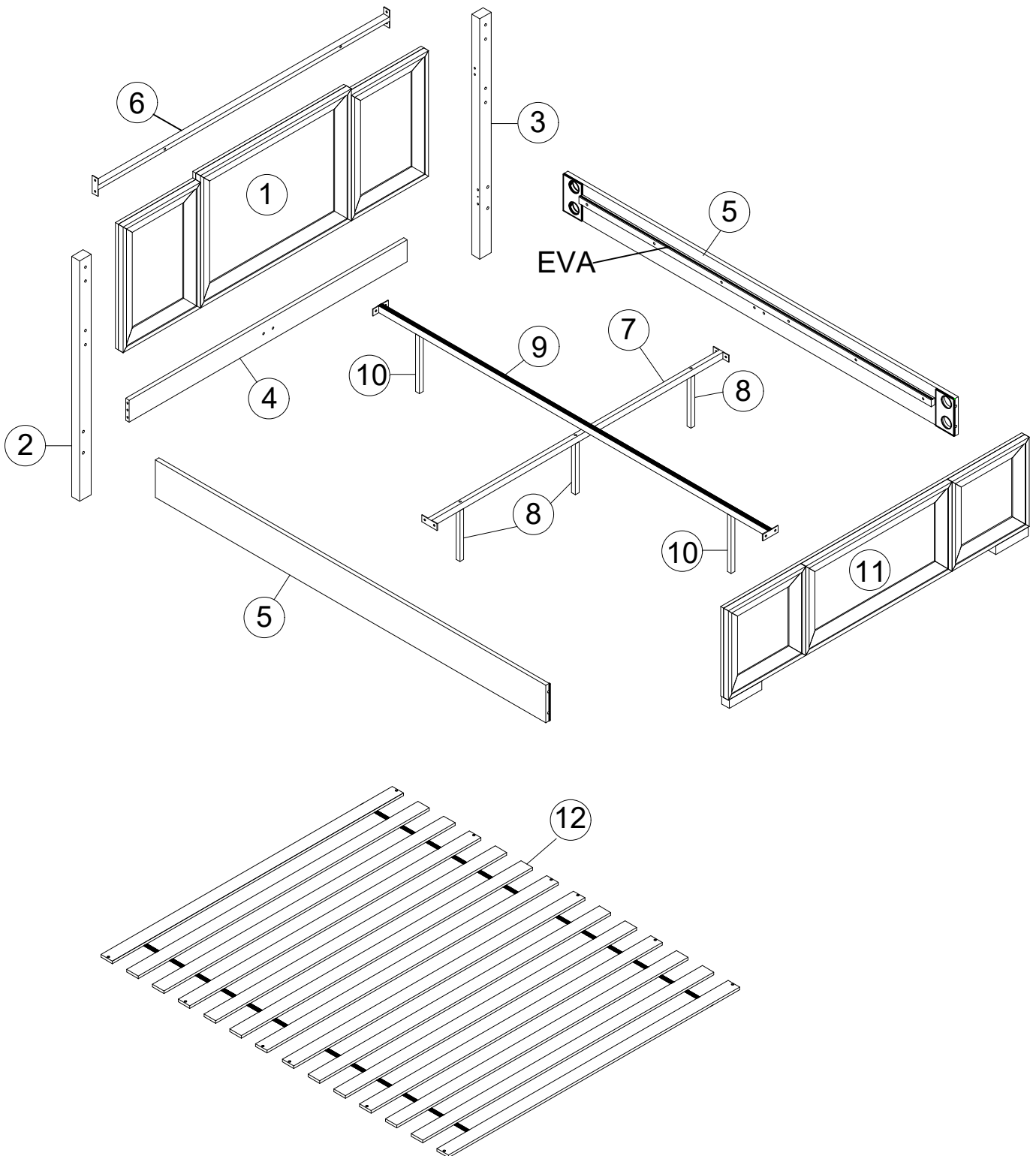


Components

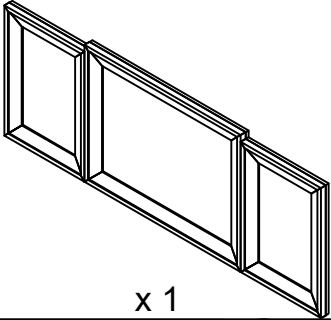
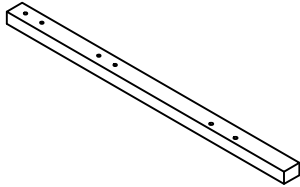
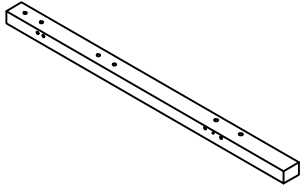
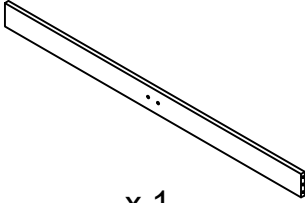
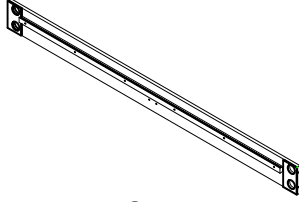
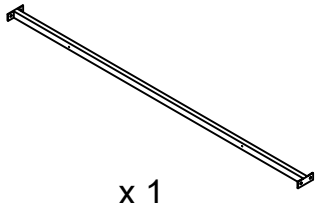
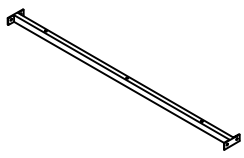

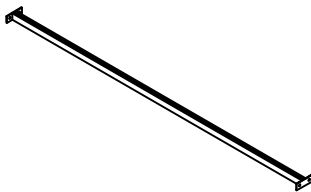

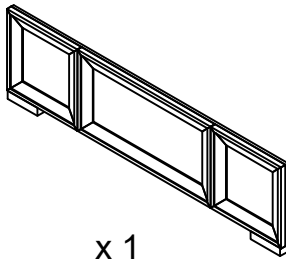
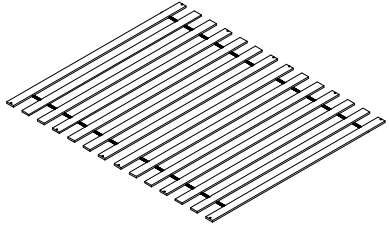
Please check if all the pieces listed below are received.



Components

Please check if all the pieces listed below are received.

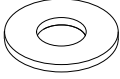

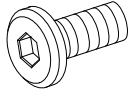

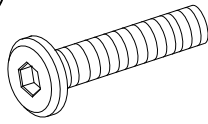
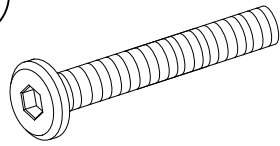
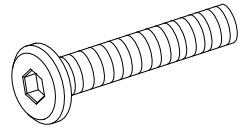
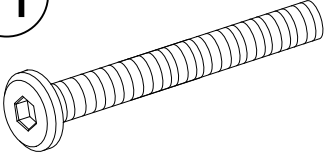
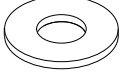

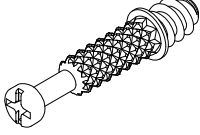
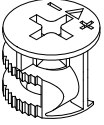
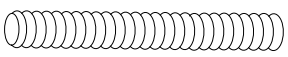

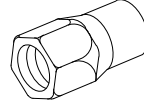
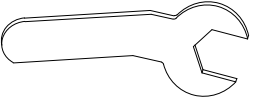

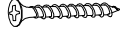
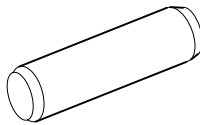
Parts List

<p>1</p>  <p>x 1</p>	<p>2</p>  <p>x 1</p>	<p>3</p>  <p>x 1</p>	
<p>4</p>  <p>x 1</p>	<p>5</p>  <p>x 2</p>	<p>6</p>  <p>x 1</p>	<p>7</p>  <p>x 1</p>
<p>8</p>  <p>x 3</p>	<p>9</p>  <p>x 1</p>	<p>10</p>  <p>x 2</p>	<p>11</p>  <p>x 1</p>
<p>12</p>  <p>x 1</p>			

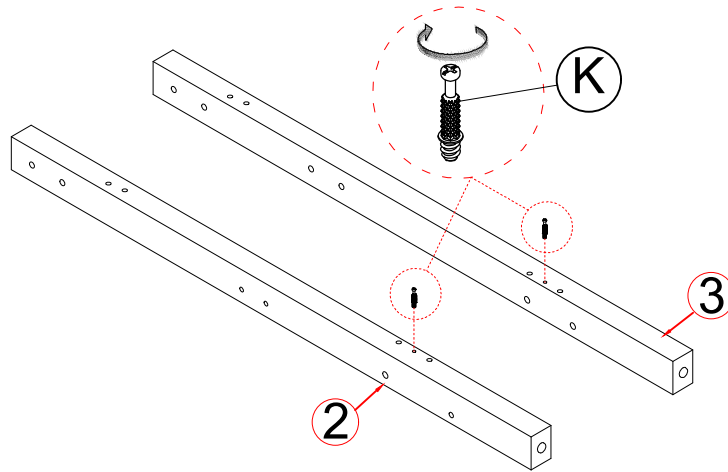
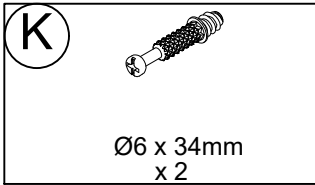
Components

Please check if all the pieces listed below are received.

Hardware List

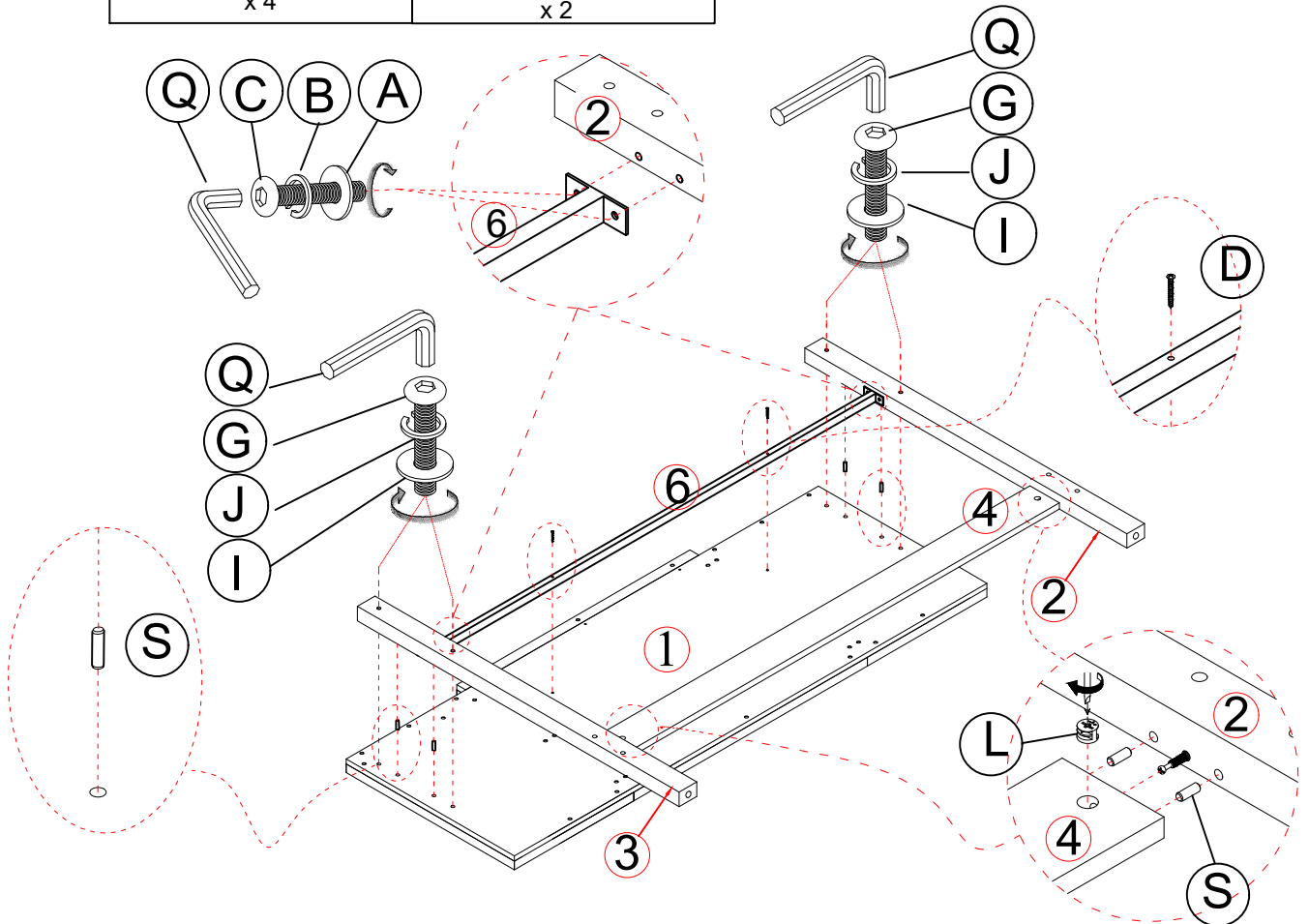
<p>A</p>  <p>Ø1/4" x 17</p>	<p>B</p>  <p>Ø1/4" x 17</p>	<p>C</p>  <p>Ø1/4" x 15mm x 12</p>	<p>D</p>  <p>Ø4 x 45mm x 2</p>
<p>E</p>  <p>Ø1/4" x 50mm x 4</p>	<p>F</p>  <p>Ø1/4" x 75mm x 1</p>	<p>G</p>  <p>Ø5/16" 57mm x 4</p>	<p>H</p>  <p>Ø5/16" x 89mm x 4</p>
<p>I</p>  <p>Ø5/16" x 8</p>	<p>J</p>  <p>Ø5/16" x 8</p>	<p>K</p>  <p>Ø6 x 34mm x 2</p>	<p>L</p>  <p>Ø15 x 9mm x 2</p>
<p>M</p>  <p>Ø5/16" x 64mm x 4</p>	<p>N</p>  <p>Ø5/16" x 37mm*3mm x 8</p>	<p>O</p>  <p>Ø5/16" x M12*18mm x 8</p>	<p>P</p>  <p>M12 x 90*25mm x 1</p>
<p>Q</p>  <p>M4*80*25mm x 1</p>	<p>R</p>  <p>#4 x 25mm x 12</p>	<p>S</p>  <p>Ø8*30mm x 8</p>	

Step 1

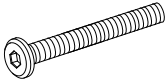

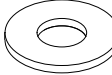
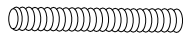

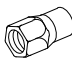




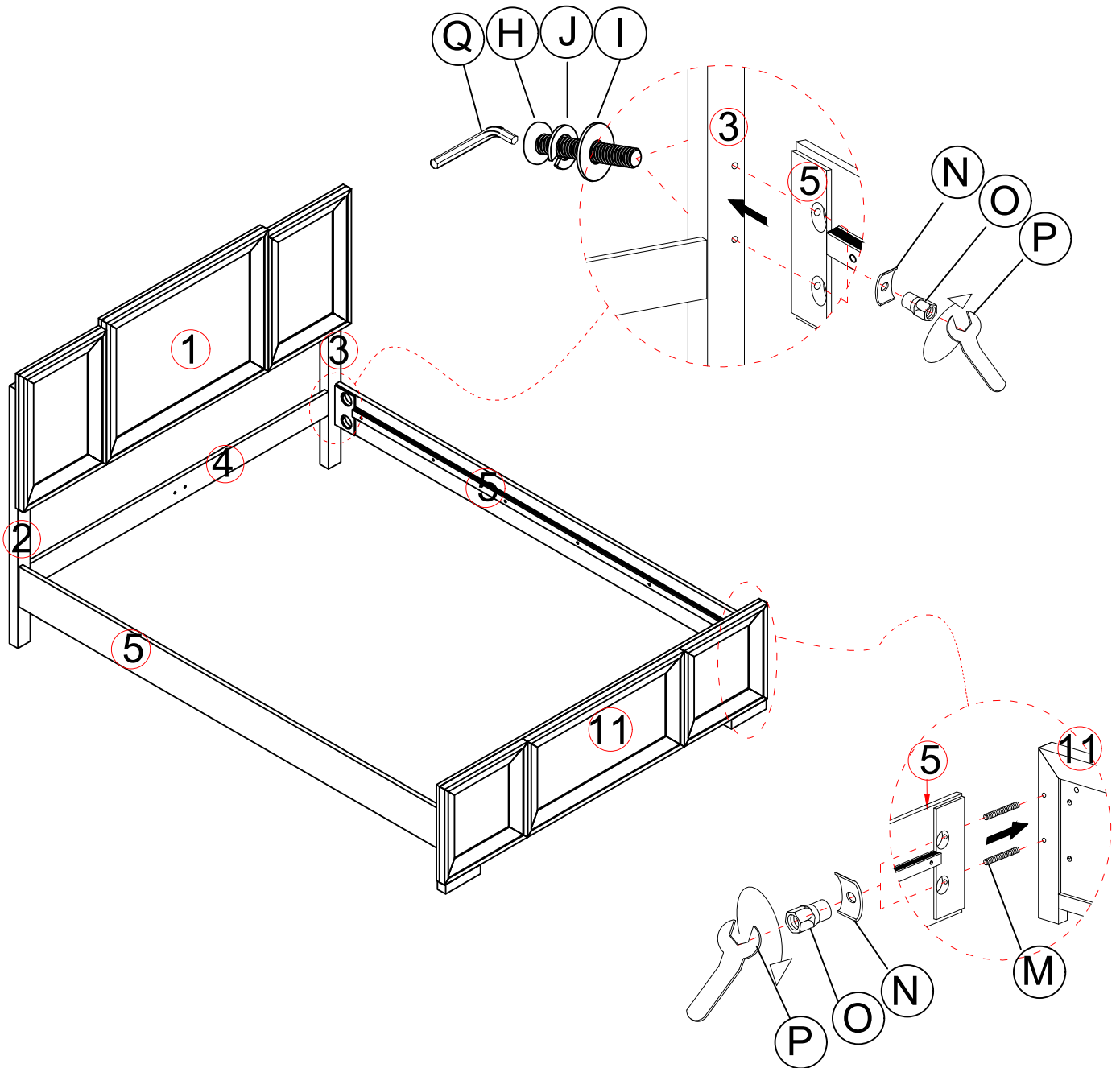
Step 2

<p>G</p> <p>Ø5/16" 57mm x 4</p>	<p>J</p> <p>Ø5/16" x 4</p>	<p>I</p> <p>Ø5/16" x 4</p>	<p>Q</p> <p>M4*80*25mm</p>
<p>L</p> <p>Ø15 x 9mm x 2</p>	<p>S</p> <p>Ø8*30mm x 8</p>	<p>C</p> <p>Ø1/4" x 15mm x 4</p>	<p>B</p> <p>Ø1/4" x 4</p>
<p>A</p> <p>Ø1/4" x 4</p>	<p>D</p> <p>Ø4 x 45mm x 2</p>		

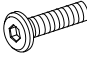

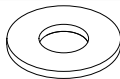



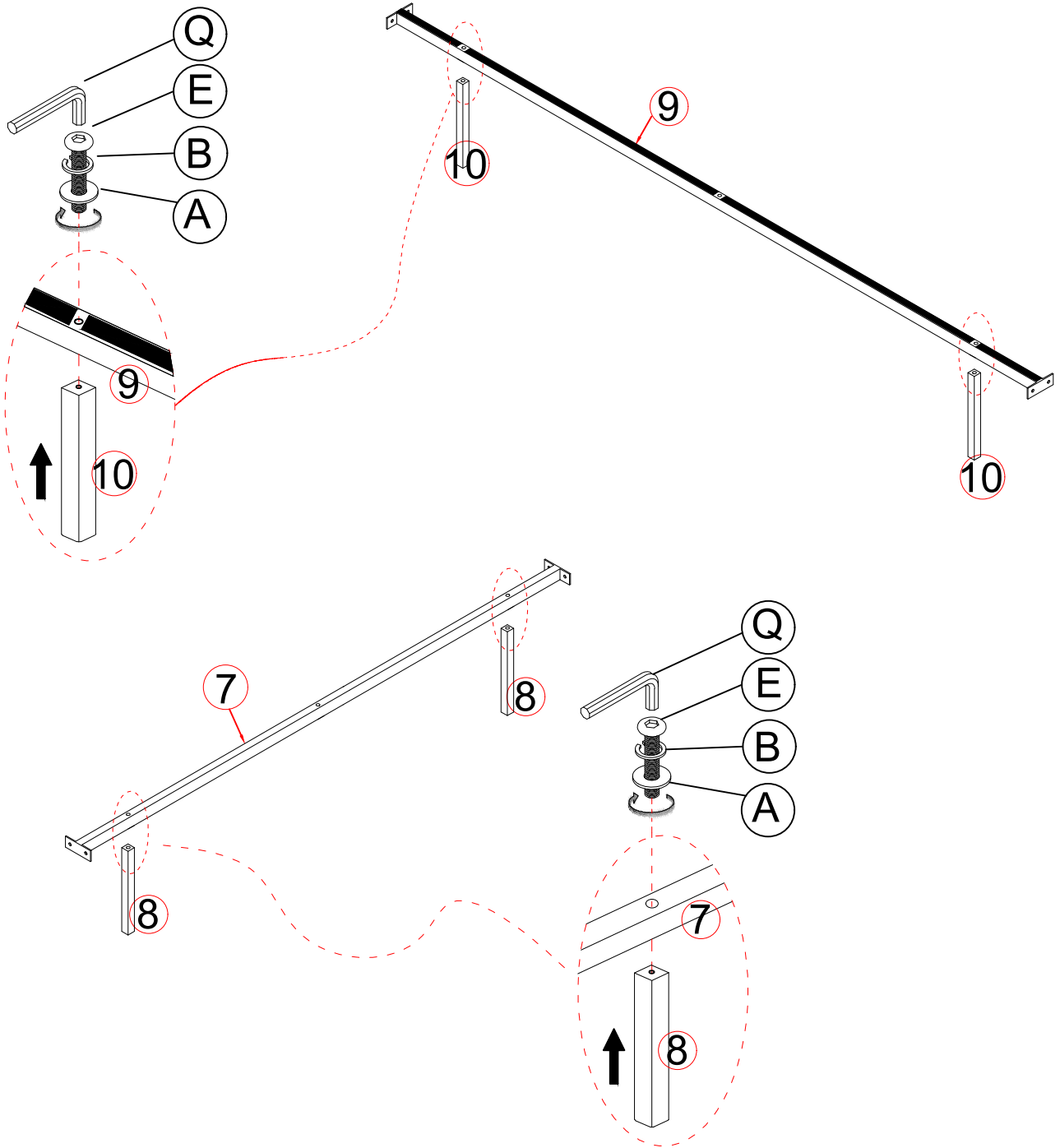
Step 3

<p>H</p>  <p>Ø5/16" x 89mm x 4</p>	<p>J</p>  <p>Ø5/16" x 4</p>	<p>I</p>  <p>Ø5/16" x 4</p>	<p>M</p>  <p>Ø5/16" x 64mm x 4</p>
<p>N</p>  <p>Ø5/16" x 37mm*3mm x 8</p>	<p>O</p>  <p>Ø5/16" x M12*18mm x 8</p>	<p>P</p>  <p>M12 x 90*25mm</p>	<p>Q</p>  <p>M4*80*25mm</p>

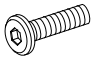



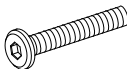


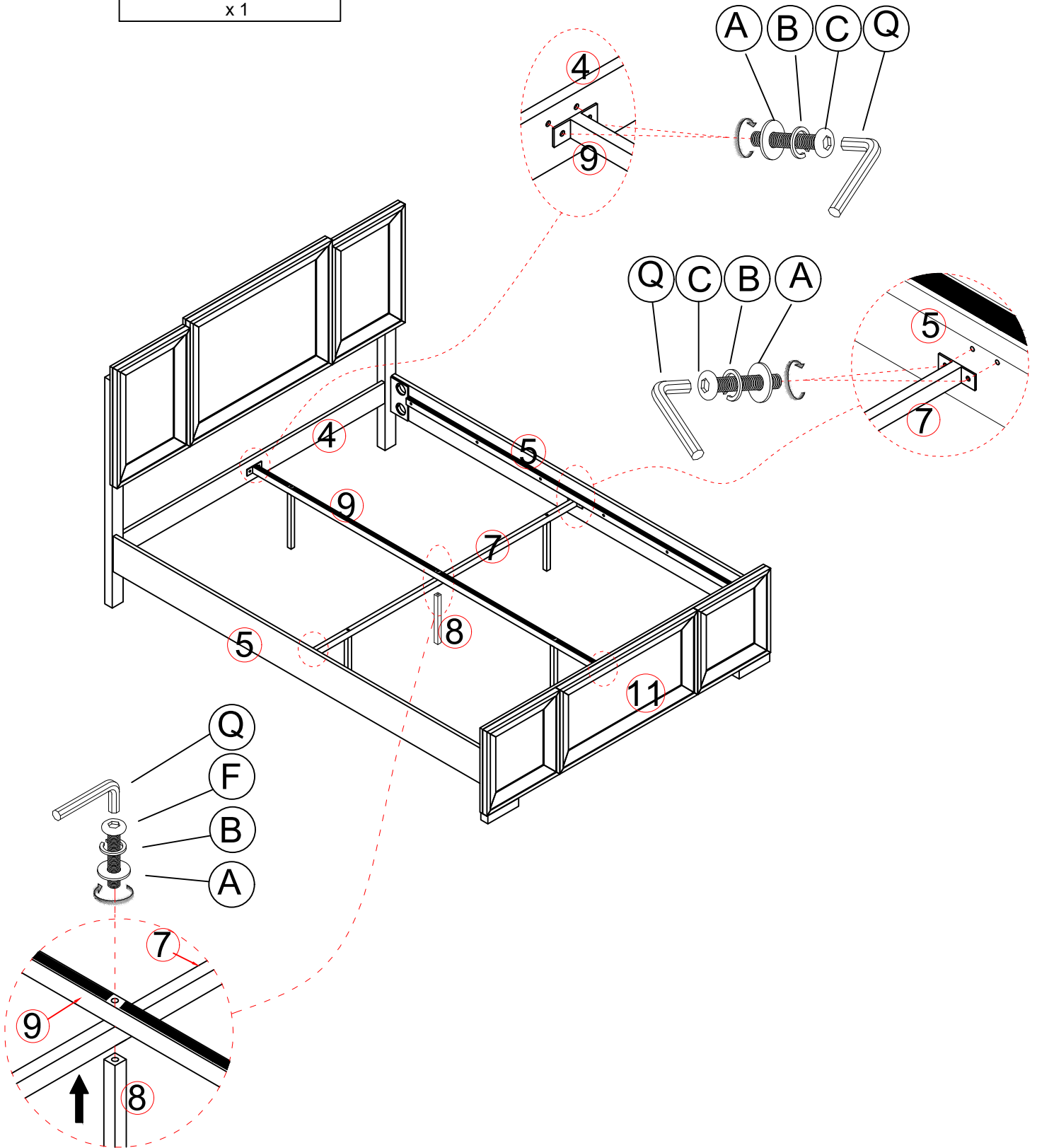
Step 4

E  Ø1/4" x 50mm x 4	B  Ø1/4" x 4	A  Ø1/4" x 4	Q  M4*80*25mm
--	---	--	---



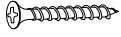
Step 5

<p>C</p>  <p>Ø1/4" x 15mm x 8</p>	<p>B</p>  <p>Ø1/4" x 9</p>	<p>A</p>  <p>Ø1/4" x 9</p>	<p>Q</p>  <p>M4*80*25mm</p>
<p>F</p>  <p>Ø1/4" x 75mm x 1</p>			

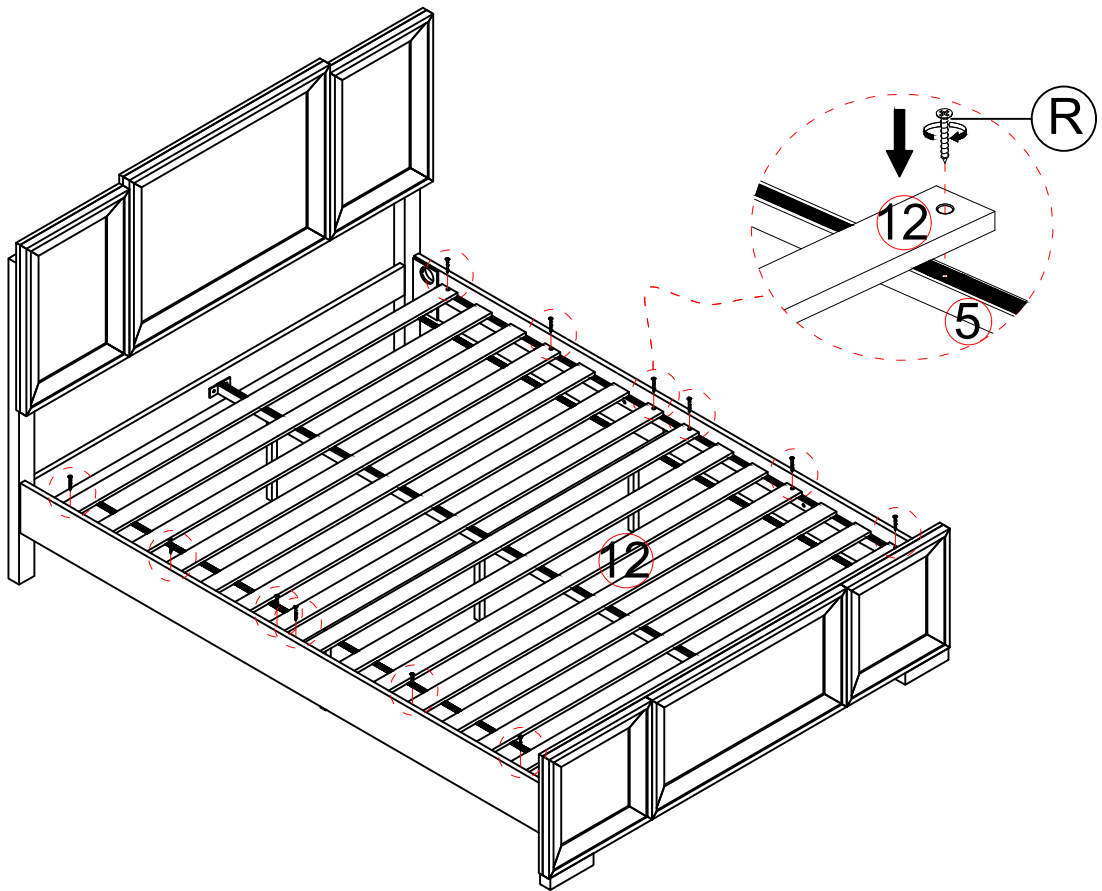


Step 6

(R)



#4 x 25mm
x 12



FULL ASSEMBLY