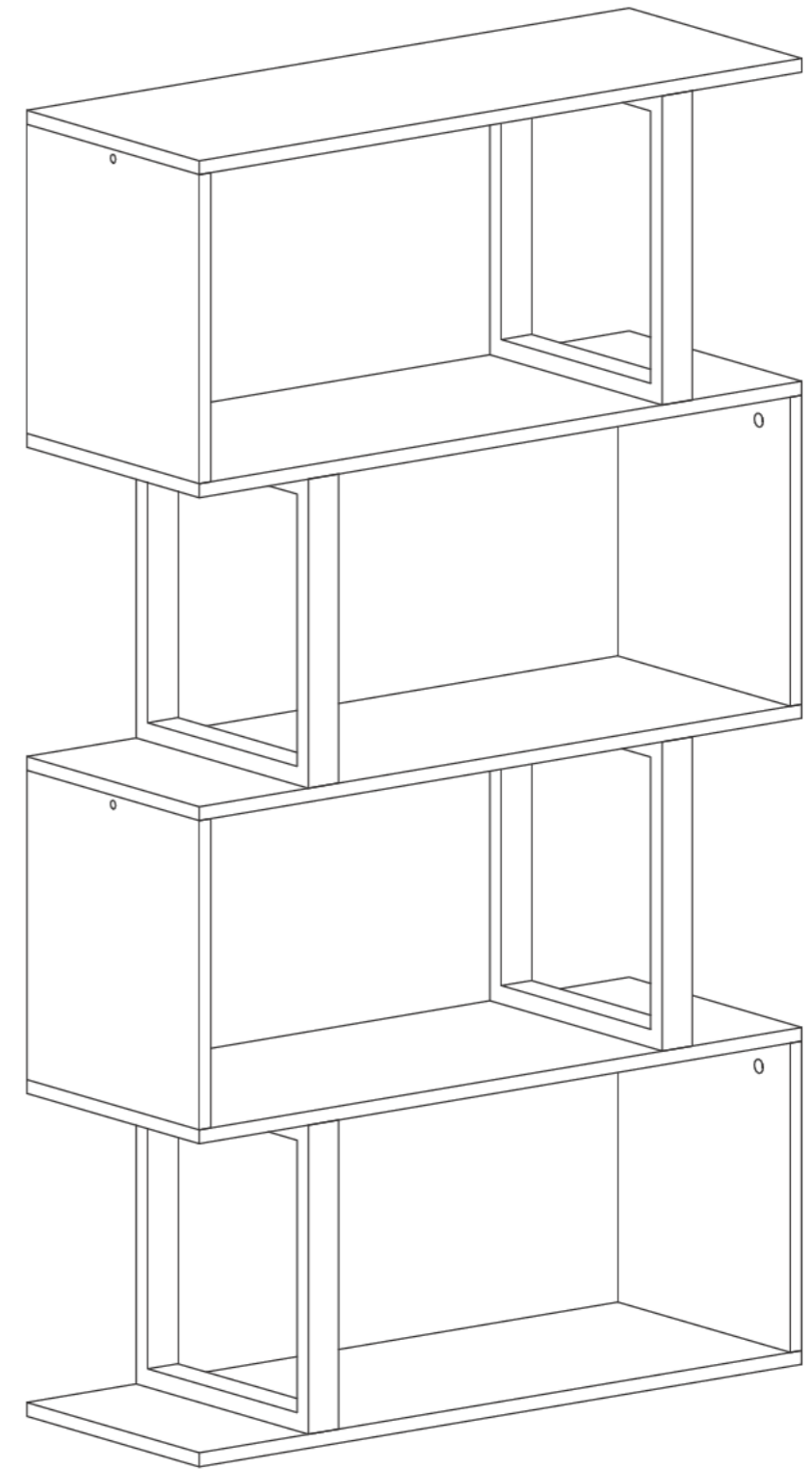


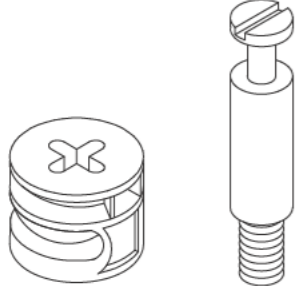
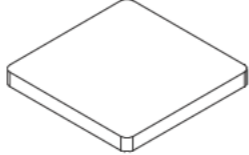

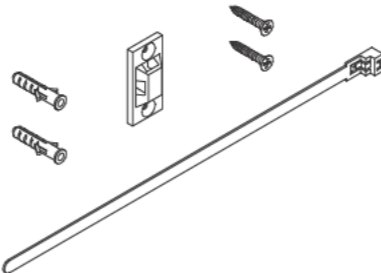
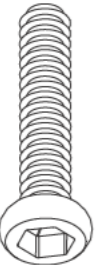
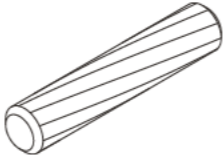
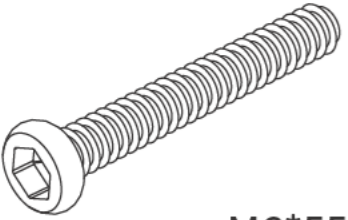
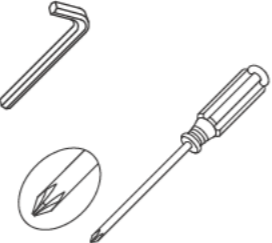
ASSEMBLY INSTRUCTIONS

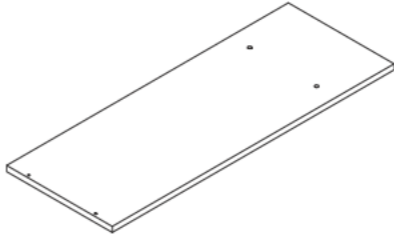
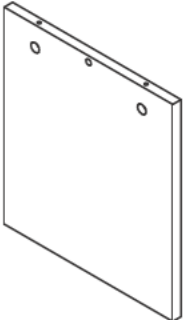
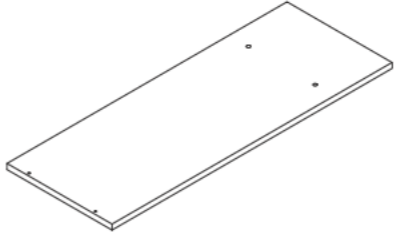
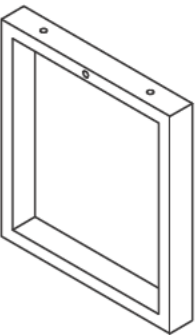
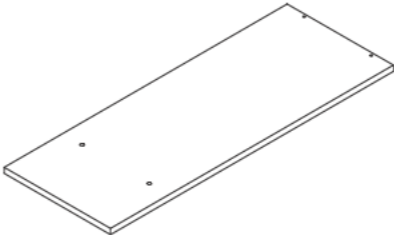
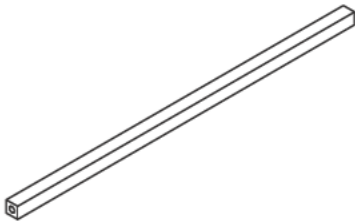


5-TIER S-SHAPED BOOKSHELF

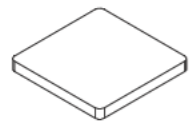
ASSEMBLY INSTRUCTIONS

Notice:
 1. Follow the installation instructions. Please confirm all accessories are preset before installation.
 2. Do not fully tighten screws during initial assembly. Gently adjust the board and frame to make them level. Only tighten after all pieces are correctly assembled.
 3. If you encounter any problems during installation, refer to two solutions: Follow the installation video tutorial on the Amazon product page or contact our customer service.

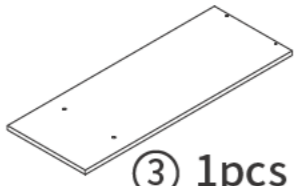
Item no.	Reference Image	Qty.	Item no.	Reference Image	Qty.
A		X8	Y	 40*40*4	X4
B	 M7*50	X8	Z		X2
F	 M6*30	X20	W		X16
J	 M6*55	X4			X1

Item no.	Reference Image	Qty.	Item no.	Reference Image	Qty.
1		X1	4		X4
2		X3	5		X4
3		X1	6		X4

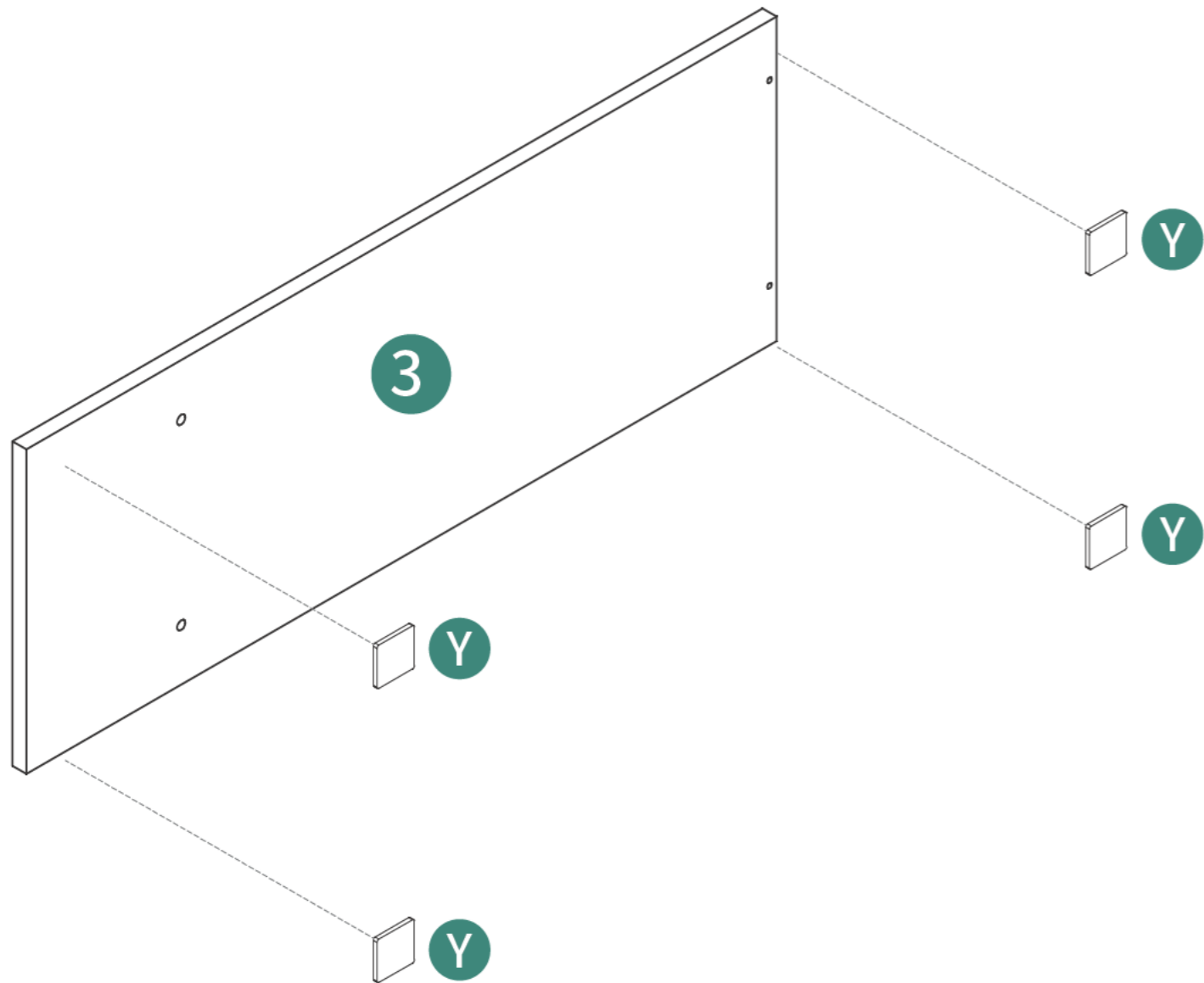
1



Y 4pcs



3 1pcs



3

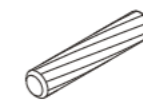
2



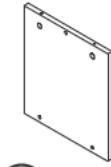
B 2pcs



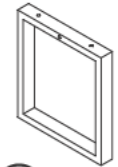
F 2pcs



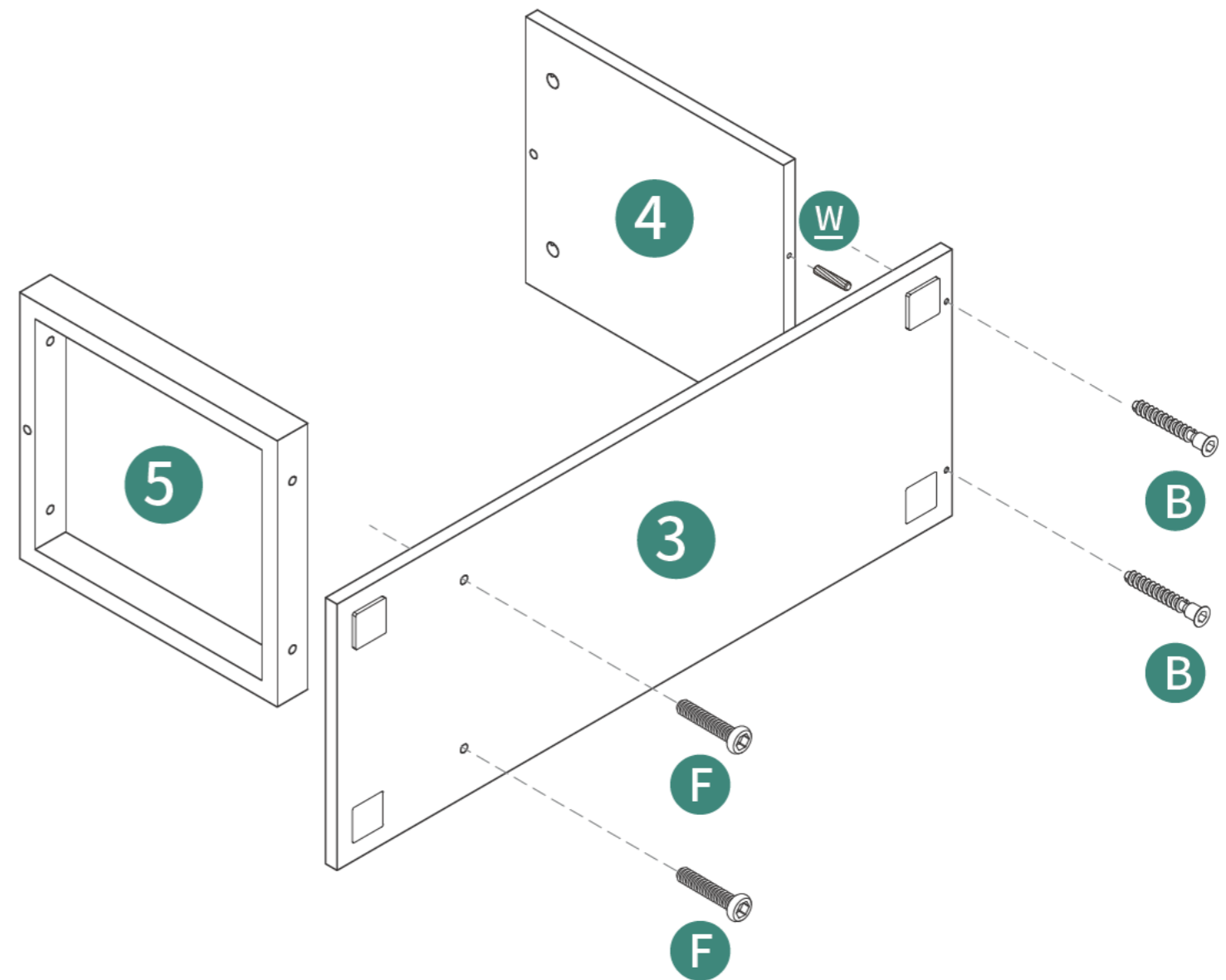
W 2pcs



4 1pcs



5 1pcs



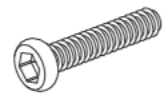
4

ASSEMBLY INSTRUCTIONS

3



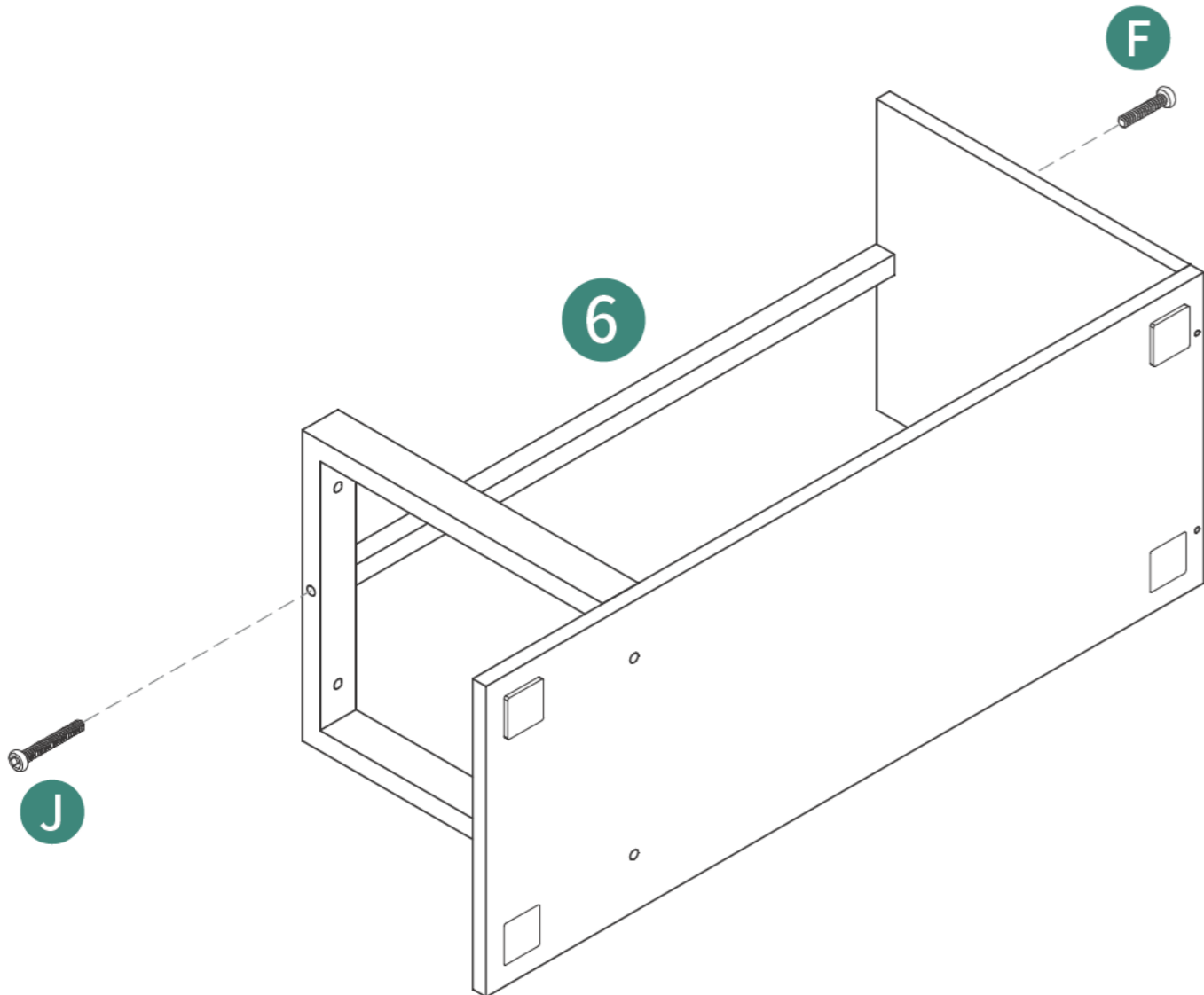
ⓐ1pcs



ⓑ1pcs

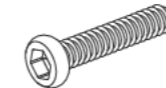


ⓒ1pcs



5

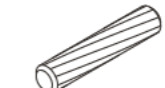
4



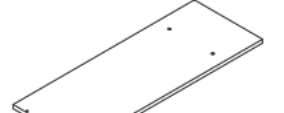
ⓓ2pcs



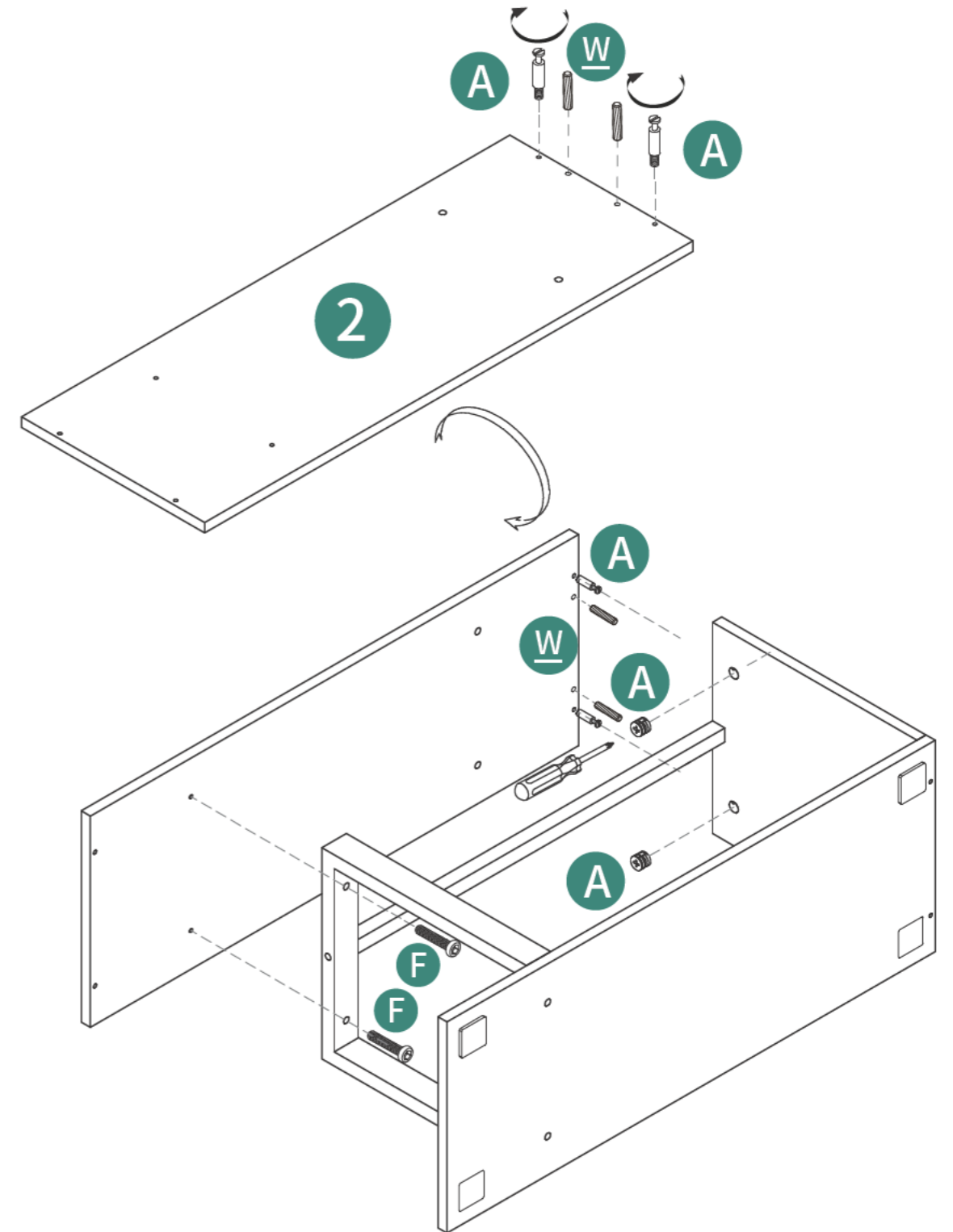
ⓔ2pcs



ⓕ2pcs



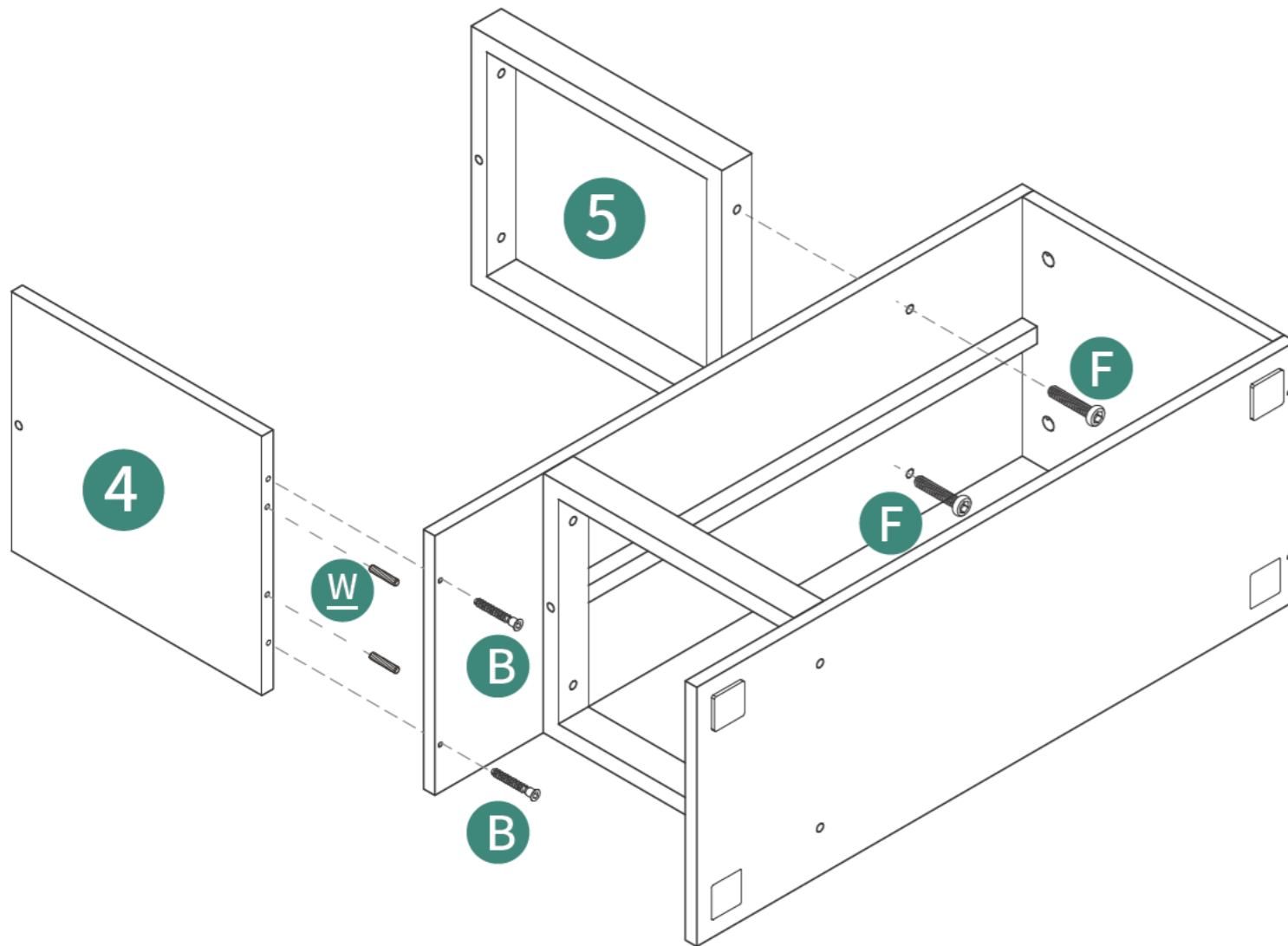
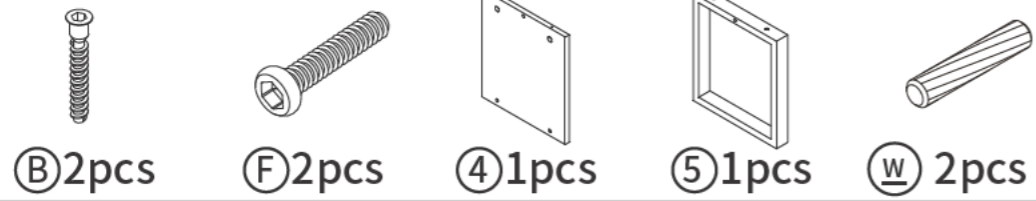
ⓖ1pcs



6

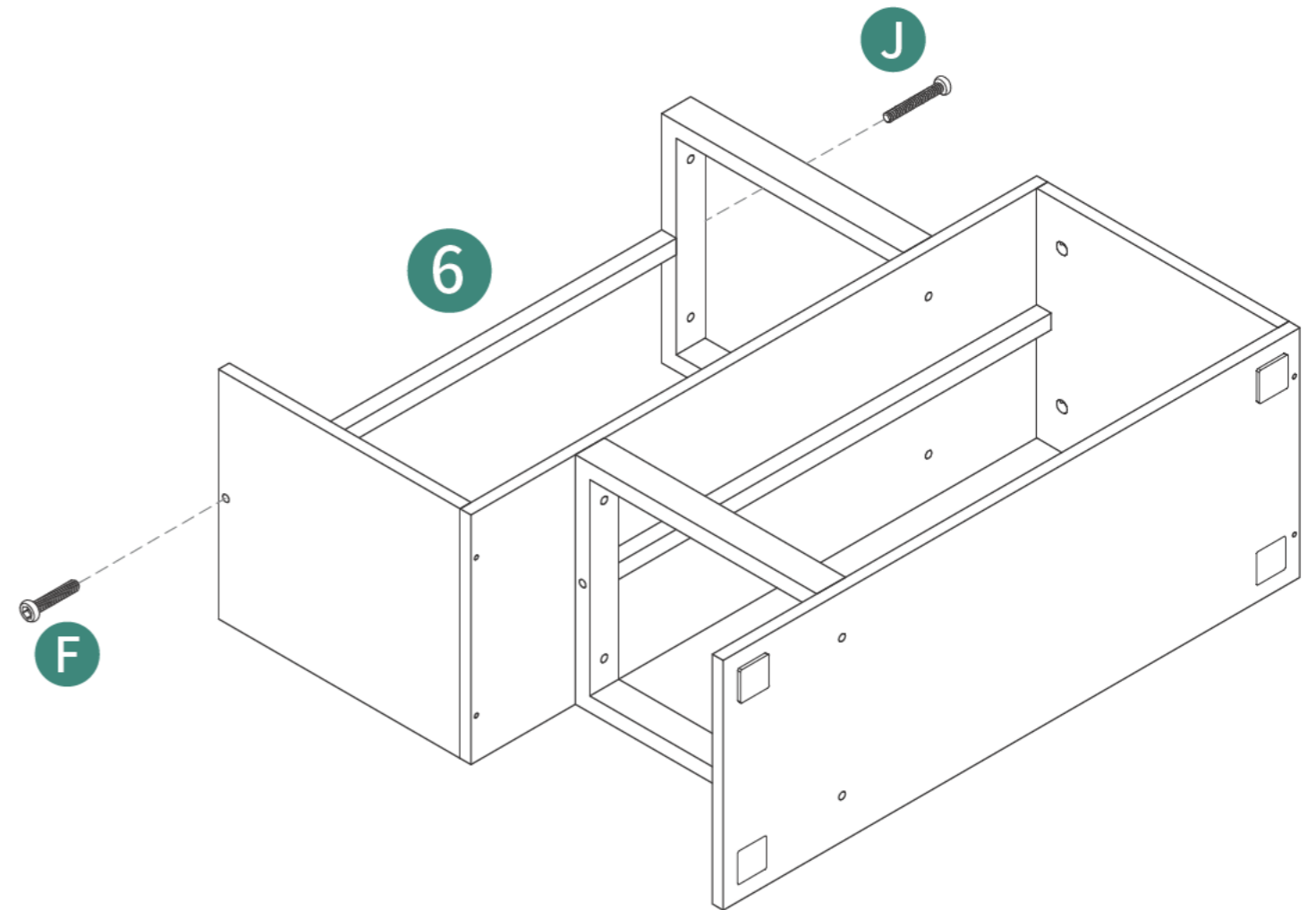
ASSEMBLY INSTRUCTIONS

5



7

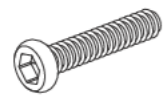
6



8

ASSEMBLY INSTRUCTIONS

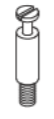
7



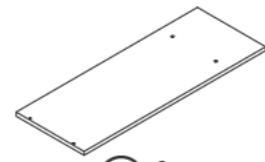
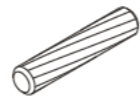
F 2pcs



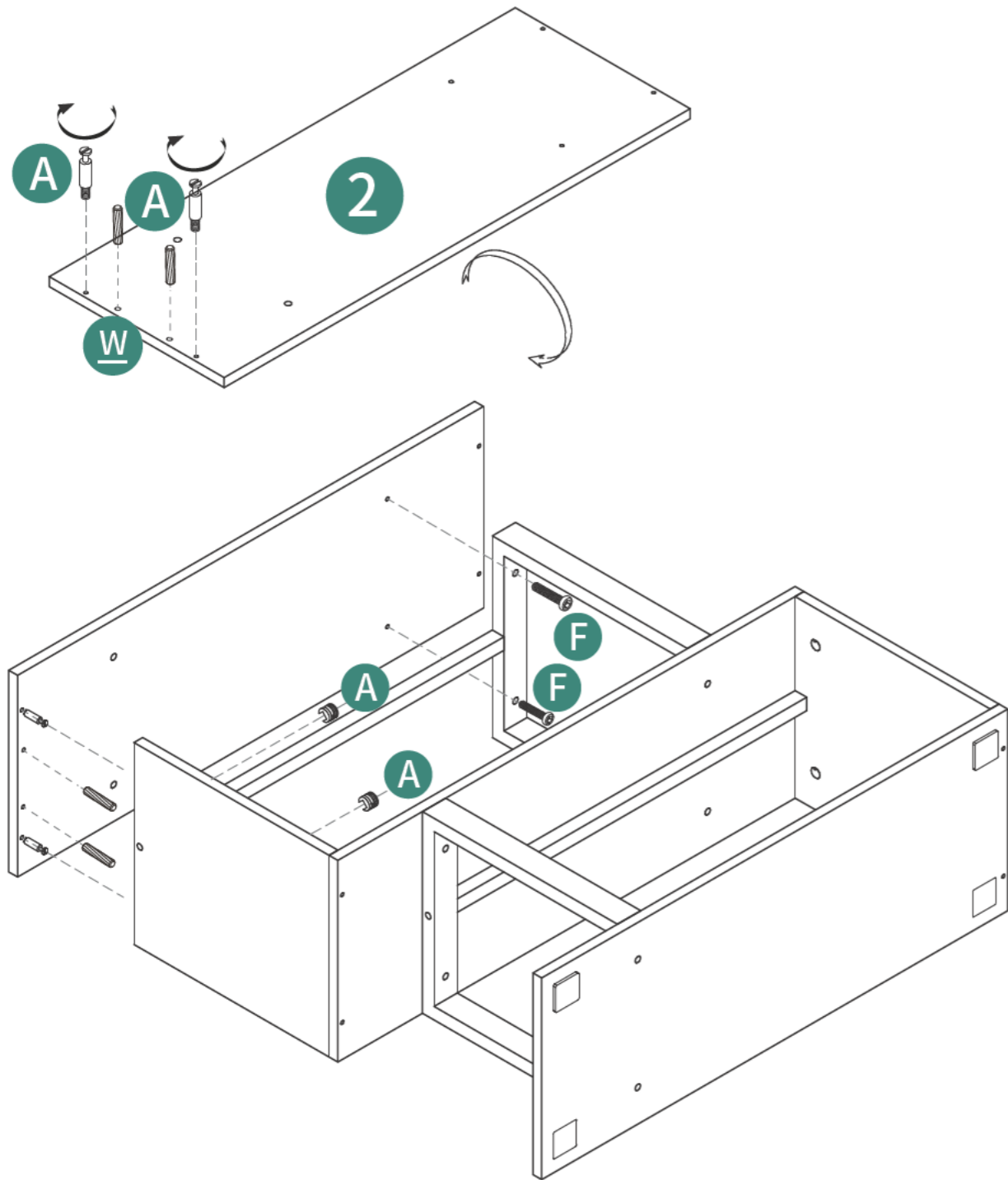
A 2pcs



W 2pcs



2 1pcs



9

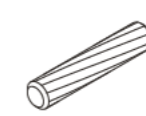
8



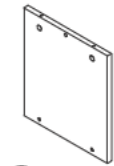
B 2pcs



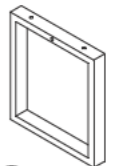
F 2pcs



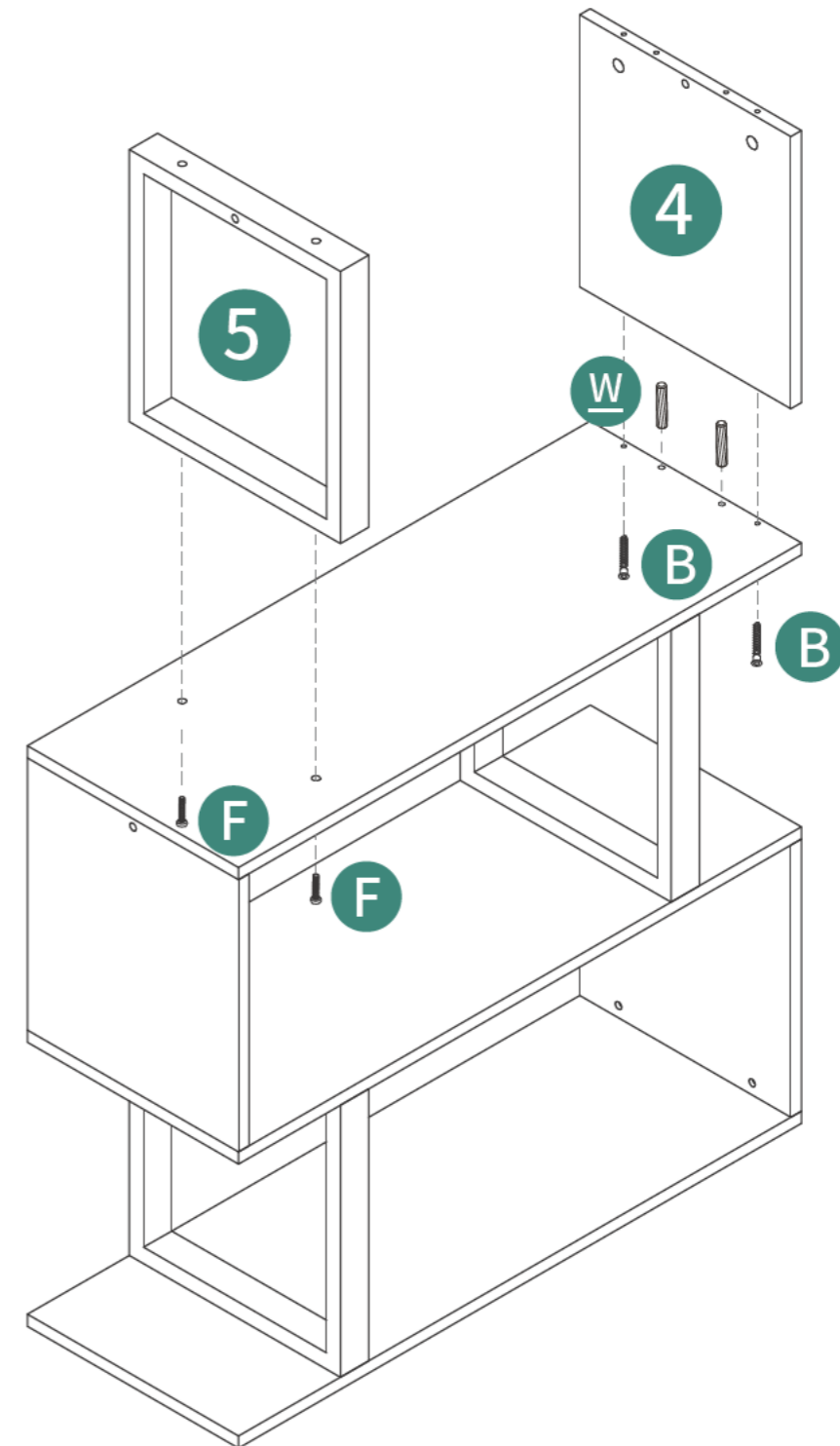
W 2pcs



4 1pcs



5 1pcs

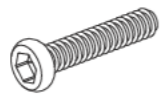


10

9



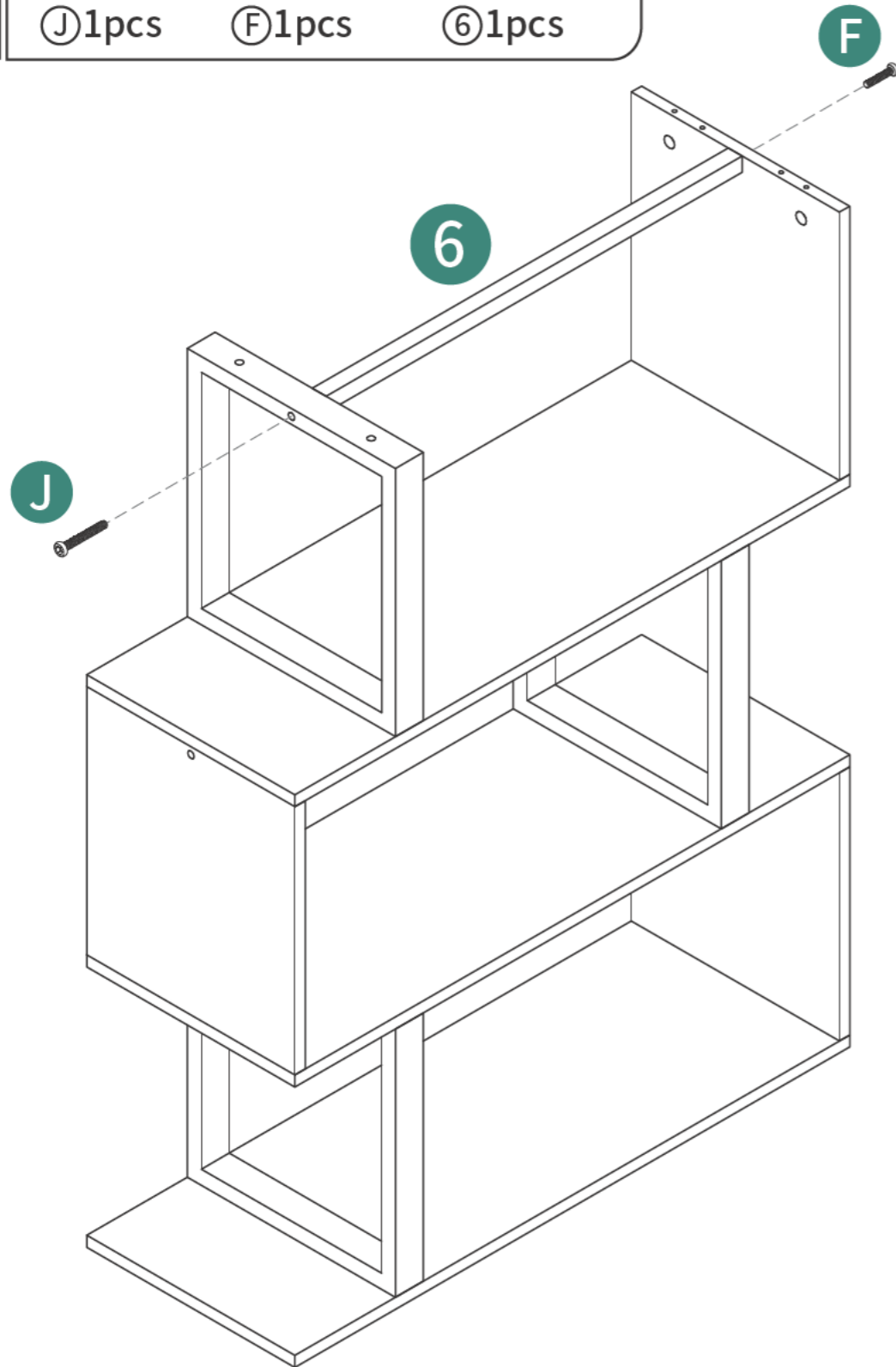
ⓐ1pcs



ⓑ1pcs

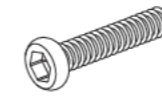


ⓒ1pcs



11

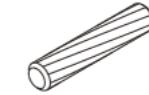
10



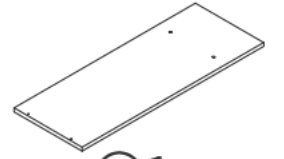
ⓑ2pcs



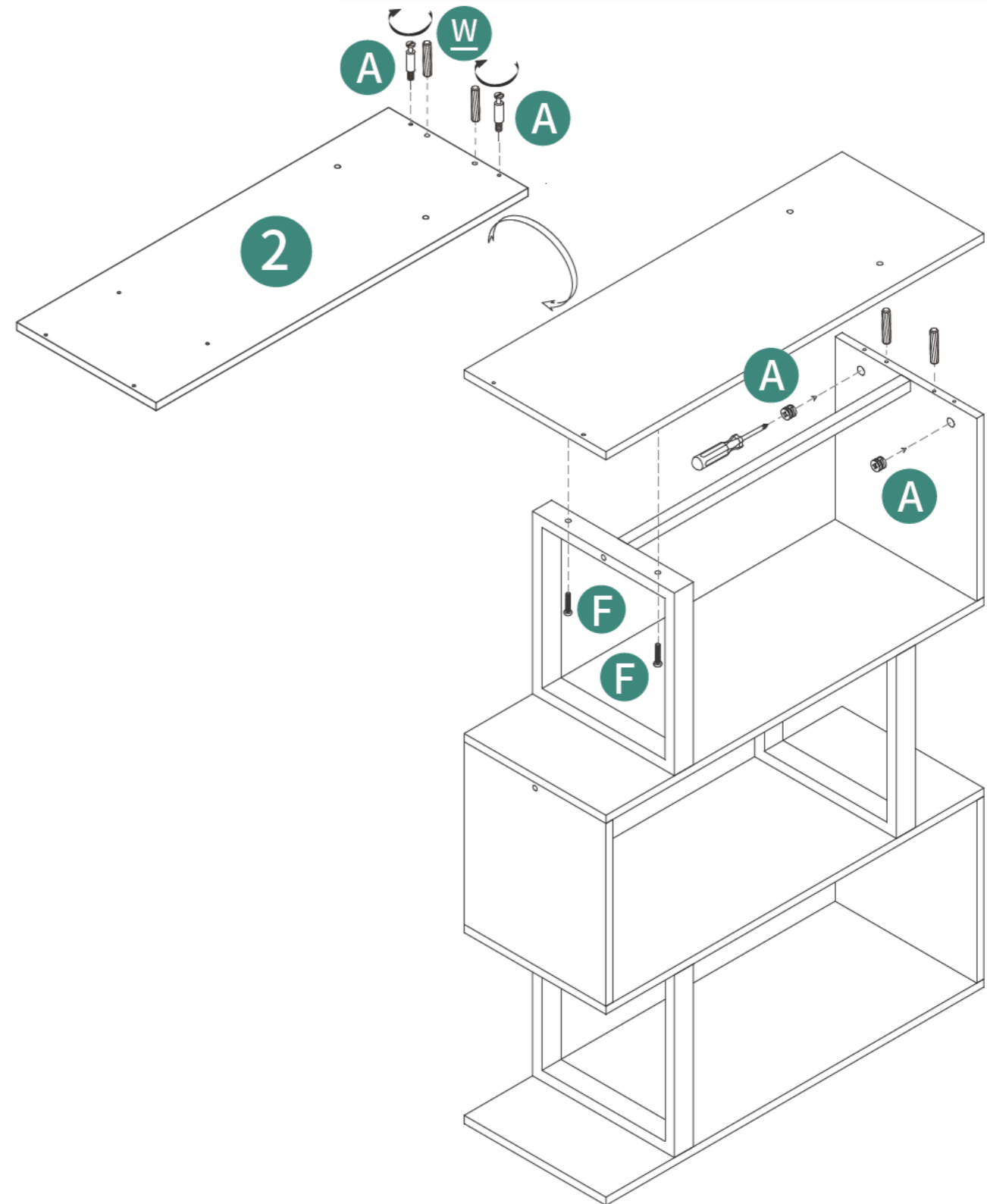
ⓐ2pcs



ⓓ2pcs



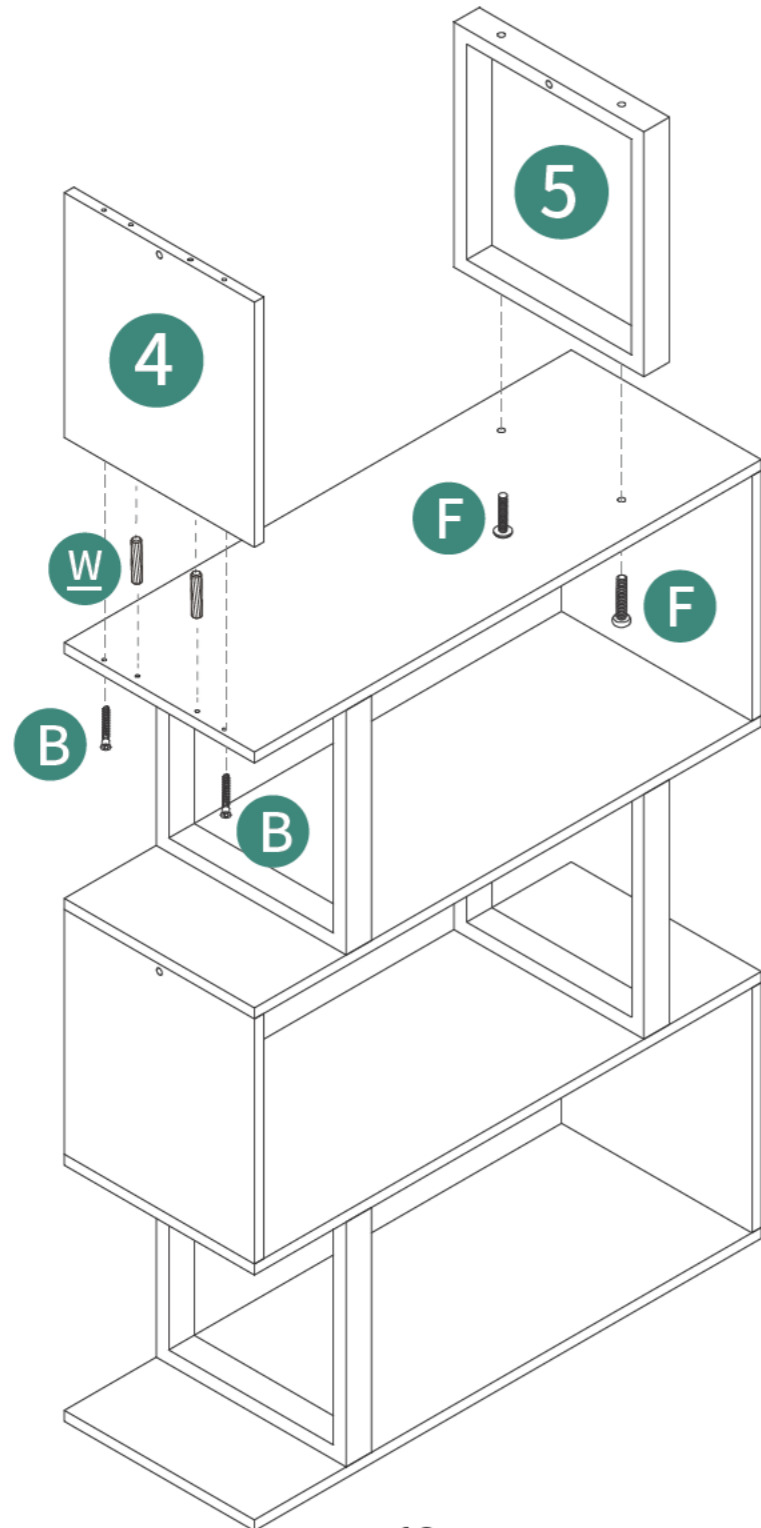
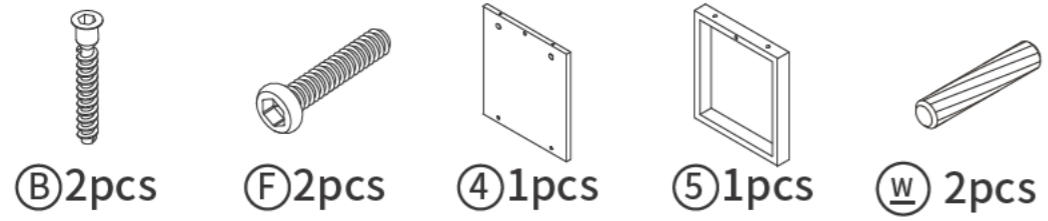
ⓔ1pcs



12

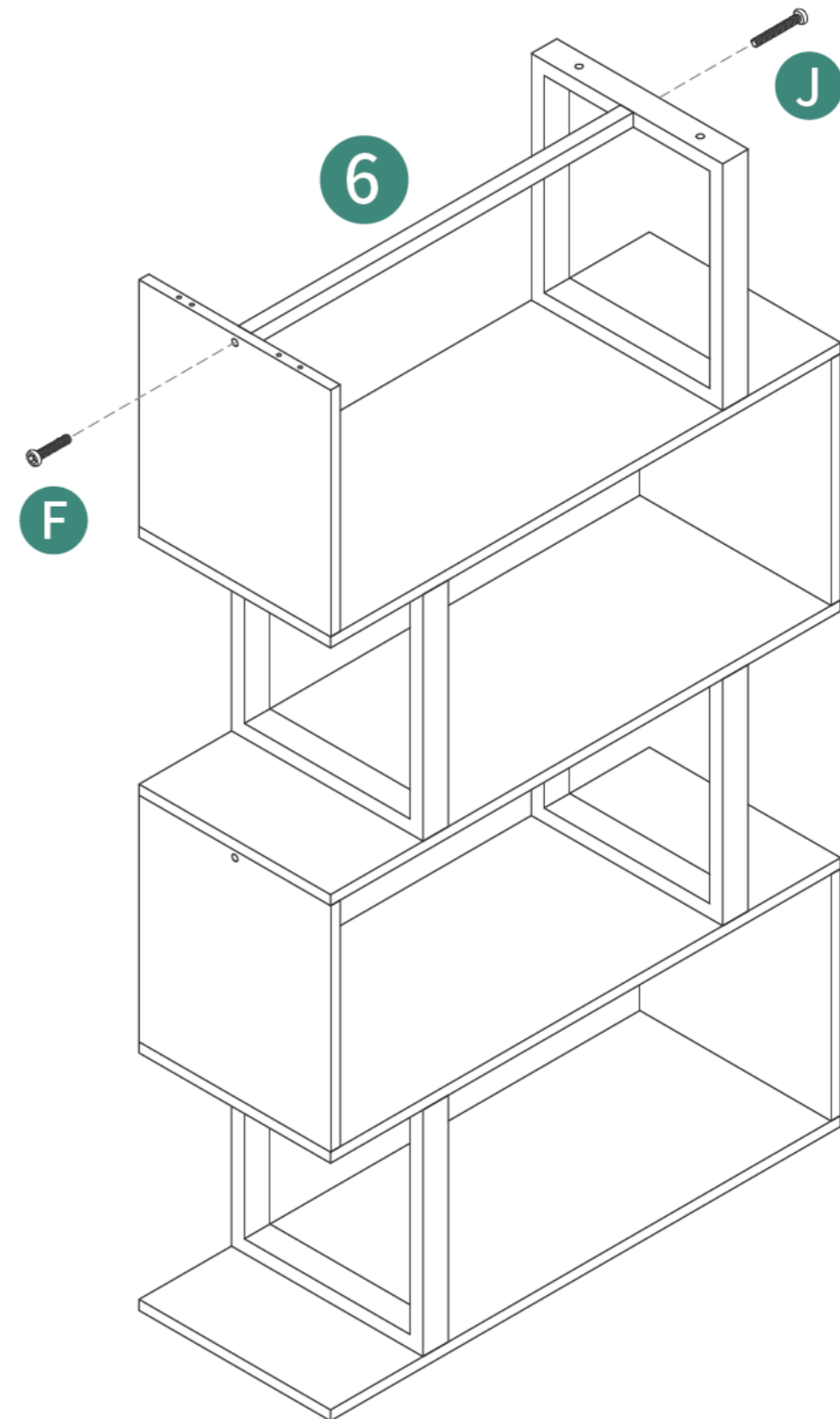
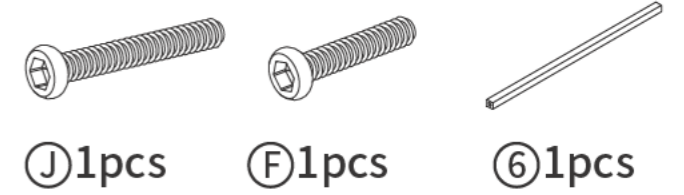
ASSEMBLY INSTRUCTIONS

11



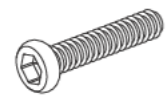
13

12



14

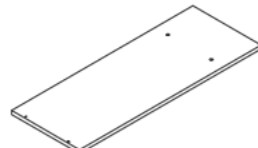
13



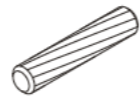
F 2pcs



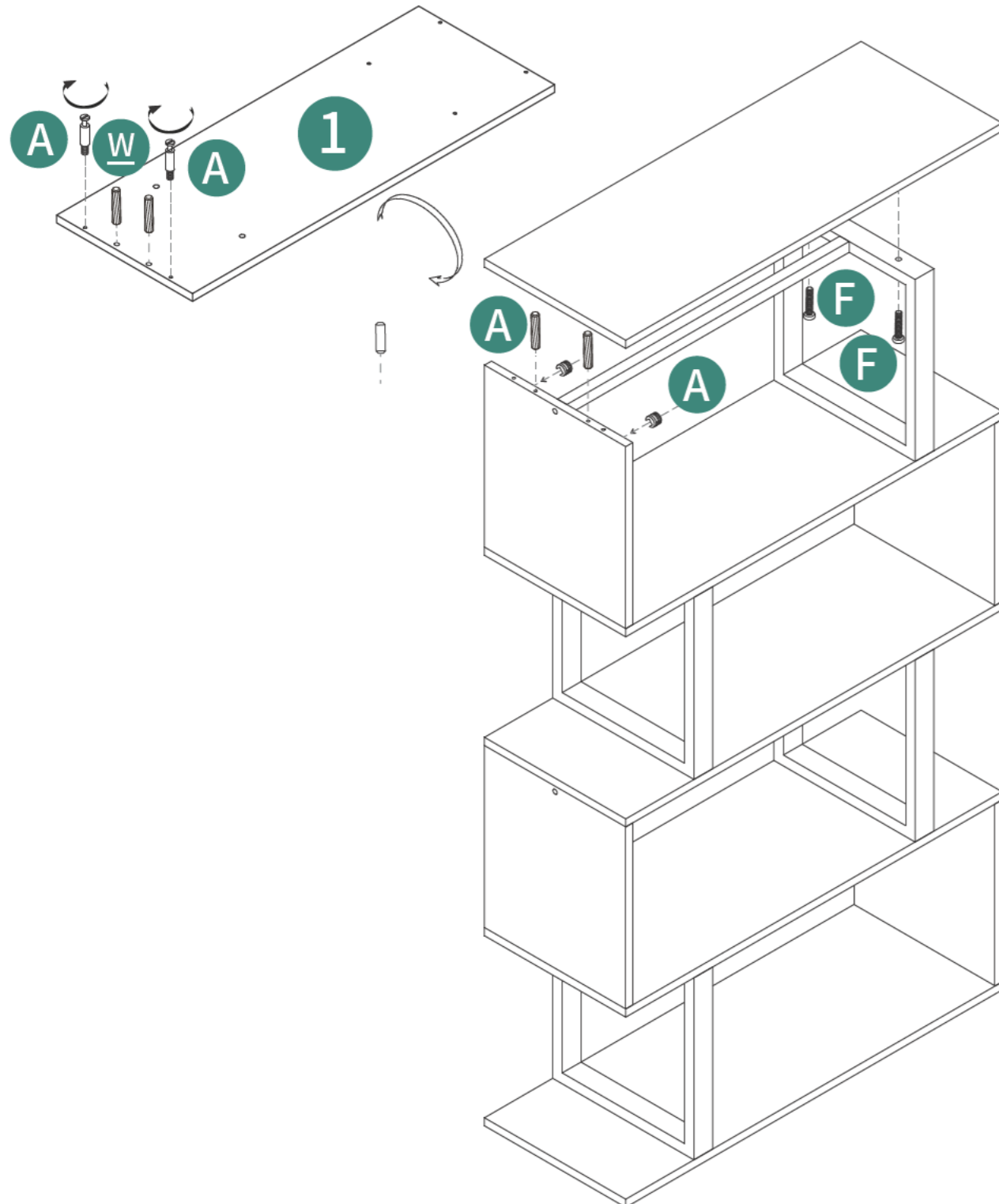
A 2pcs



1 1pcs



W 2pcs

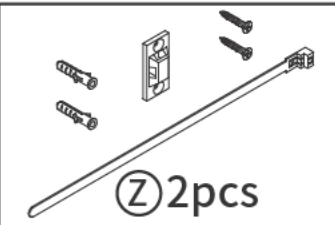


15

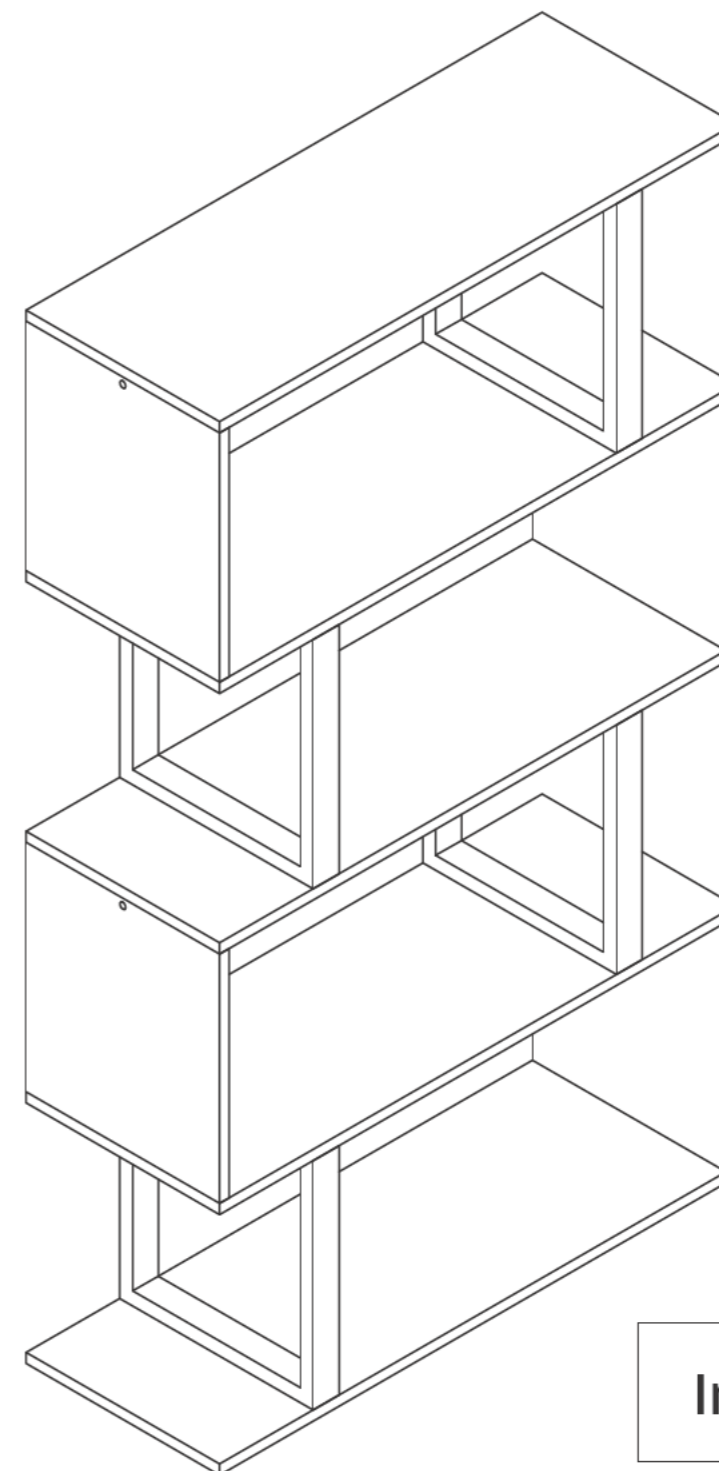


Attention: For safety and stability, we suggest you have to secure the anti-tip accessories to the wall to prevent tipping, injury, and property damage.

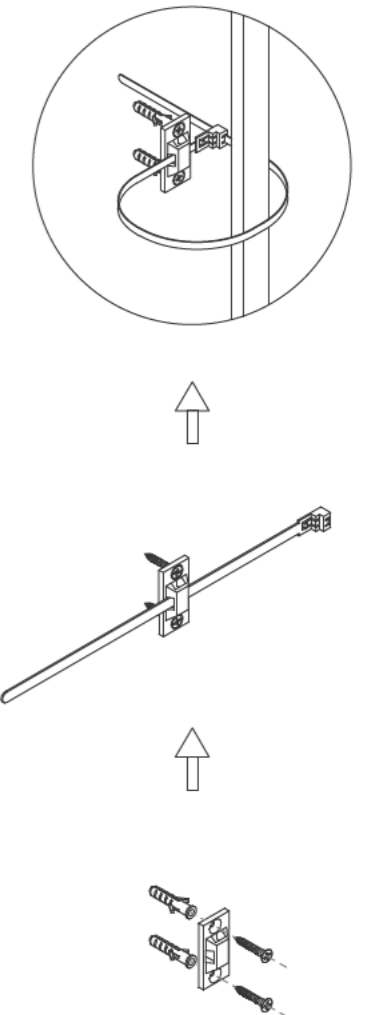
14



Z 2pcs



16



Installation Completed