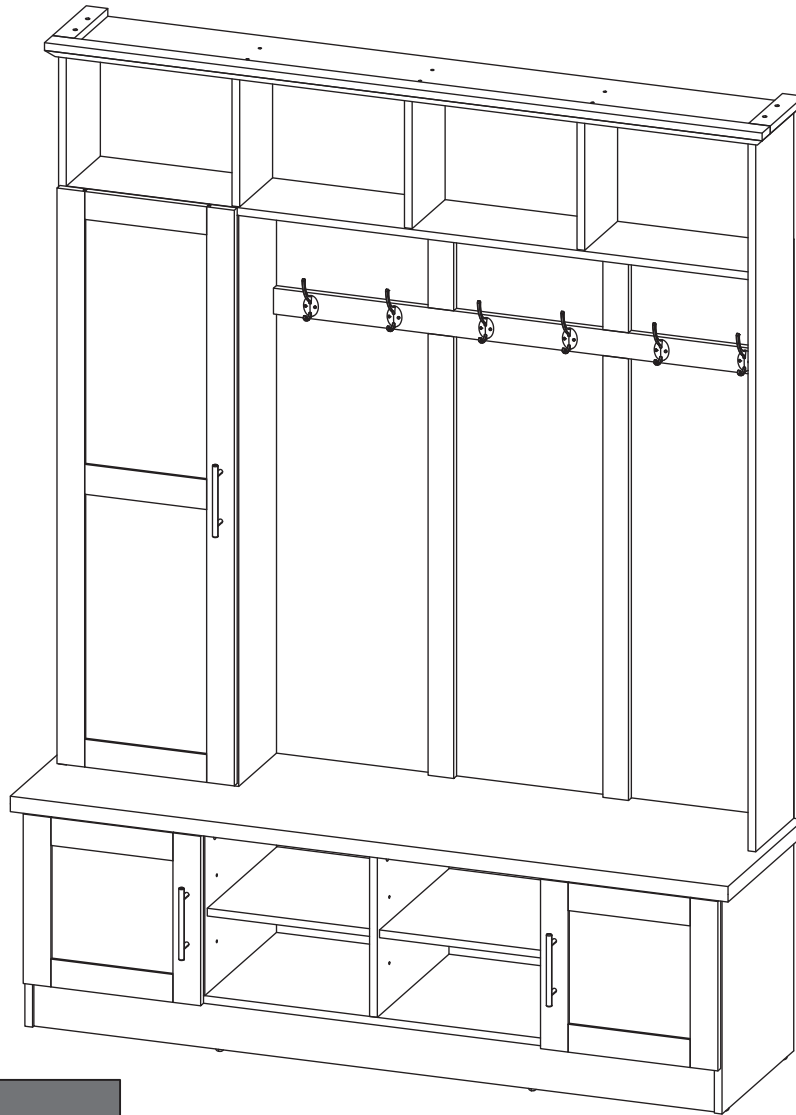


Hall Tree

Assembly Instructions - Please keep for future reference



Dimensions

Width-55.12inch

Depth-15.55inch

Height-72.84inch

Important – Please read these instructions fully before starting assembly



Safety and Care Advice

Important – Please read these instructions fully before starting assembly

- Check you have all the components and tools listed on the following pages.
- Remove all fittings from the plastic bags and separate them into their groups.
- Keep children and animals away from the work area, small parts could choke if swallowed.
- Make sure you have enough space to layout the parts before starting.

- During assembly do not stand or put weight on the product, this could cause damage.
- Assemble the item as close to its final position (in the same room) as possible.
- Assemble on a soft level surface to avoid damaging the unit or your floor.
- Parts of the assembly will be easier with 2 people.



power drill is set on a low torque setting.

- To reduce the likelihood of damaging your product please ensure that your

Care and maintenance

• Only clean using a damp cloth and mild detergent, do not use bleach or abrasive cleaners.

• From time to time check that there are no loose screws on this unit.

• This product should not be discarded with household waste. Take to your local authority waste disposal centre.

Handy Hints

• Assemble all parts and bolts loosely during assembly, only once the product is complete should you fully tighten the bolts

• Regularly check and ensure That all bolts and fittings are tightened properly.

WARNING
In order to help prevent overturning –
please follow these instructions

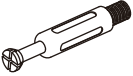

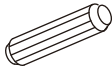

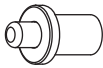
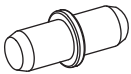
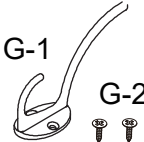
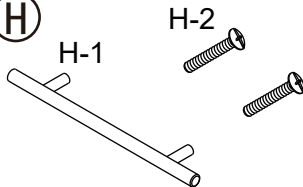
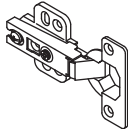


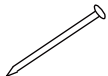


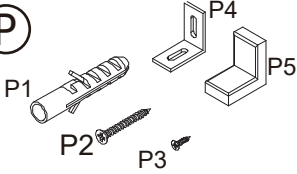
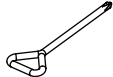
To help prevent product toppling over please follow the below steps:-

- Use the anti tip stap or wall fixing method provided (if applicable)
- Do not allow children to climb or hang on the furniture
- Do not open more than one drawer at a time
- Do not place heavy items in the top drawers
- Do not place heavy items on top of the furniture, unless the furniture has been designed for this purpose

Components-Fittings

Please check you have all the panels listed below

Note: The quantities below are the correct amount to complete the assembly. In some cases more fittings may be supplied than are required.

| | | | |
|---|---|--|--|
| <p>(A)</p>  <p>Cam Bolt x 42+3</p> | <p>(B)</p>  <p>Cam Lock x 42+3</p> | <p>(C)</p>  <p>8*30mm Dowel x 41+3</p> | <p>(D)</p>  <p>5*40mm Screw x 22+3</p> |
| <p>(E)</p>  <p>Rotating shaft x 8+2</p> | <p>(F)</p>  <p>Metal shelf support x 16+2</p> | <p>(G)</p>  <p>Clothes-hook x 6</p> | <p>(H)</p>  <p>Handle x 3</p> |
| <p>(J)</p>  <p>Hinge x 7</p> | <p>(K)</p>  <p>Back panel buckle x 16+2</p> | <p>(L)</p>  <p>3.5*14mm Screw x 58+3</p> | <p>(M)</p>  <p>Light Belt x 51+3</p> |
| <p>(N)</p>  <p>Perfect Fit x 42</p> | <p>(O)</p>  <p>felt x 19+2</p> | <p>(P)</p>  <p>Anti-dumping x 2</p> | <p>(R)</p>  <p>Screwdriver x 1</p> |

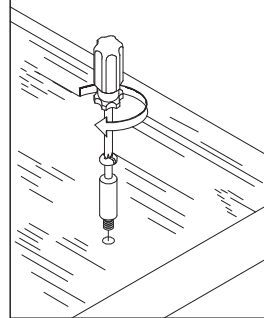
Using Camlocks

Step 1

Connect the male camlock as directed in the assembly instructions using a screwdriver.

1

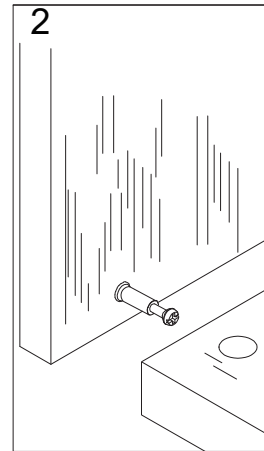
DO NOT OVER TIGHTEN.
NE PAS SERRER EXCESSIVEMENT.



Step 2

Push the male camlock into the entry hole.

2

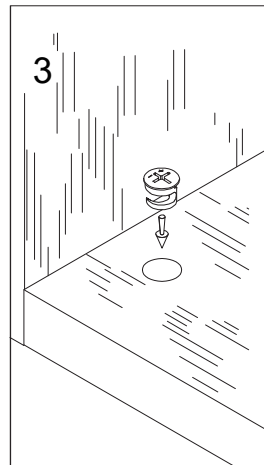


Step 3

Insert the female camlock as shown in the instruction.

Note: ensure that the arrow on the top of the camlock points towards the entry hole for the male camlock.

3



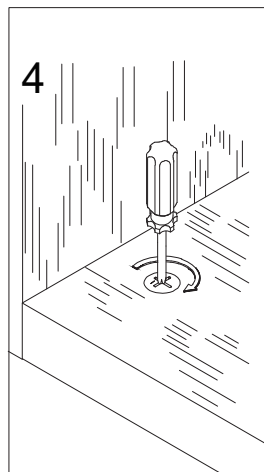
Step 4

Turn the female camlock clockwise with a screwdriver.

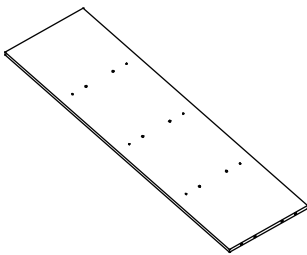
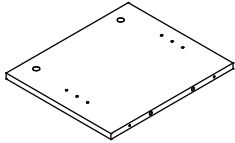
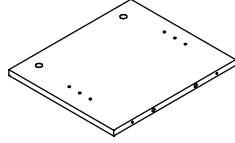
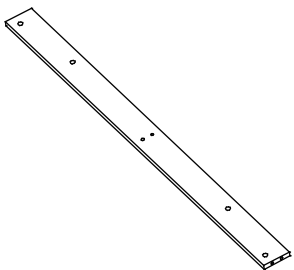
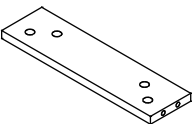
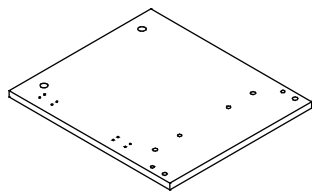
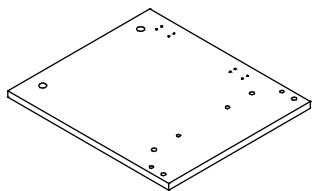
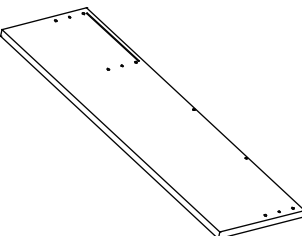
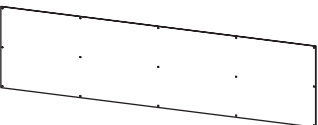
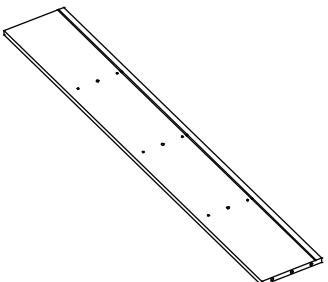
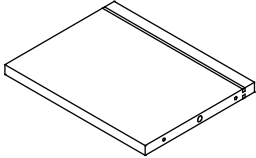
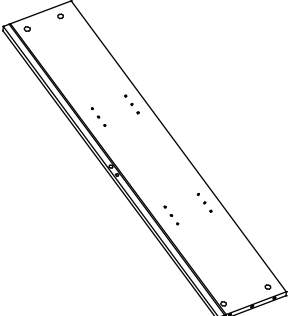
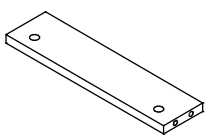
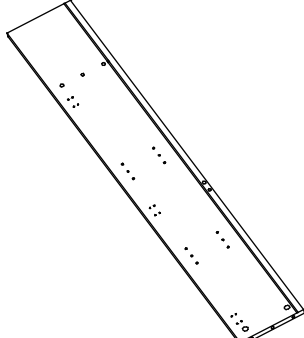
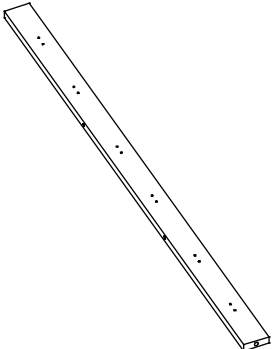
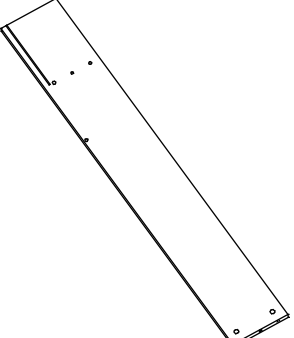
You should feel a click when the camlock is locked in place.

The joint is now secure.

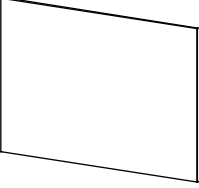
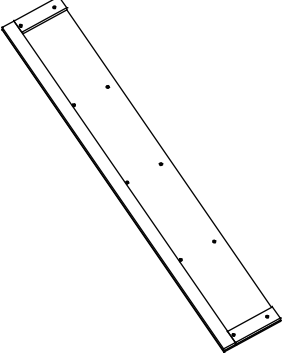


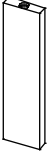
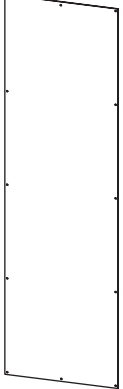
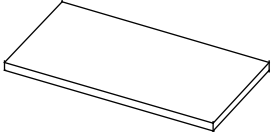
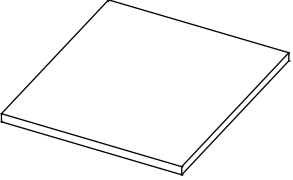
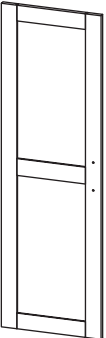
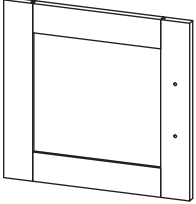
4



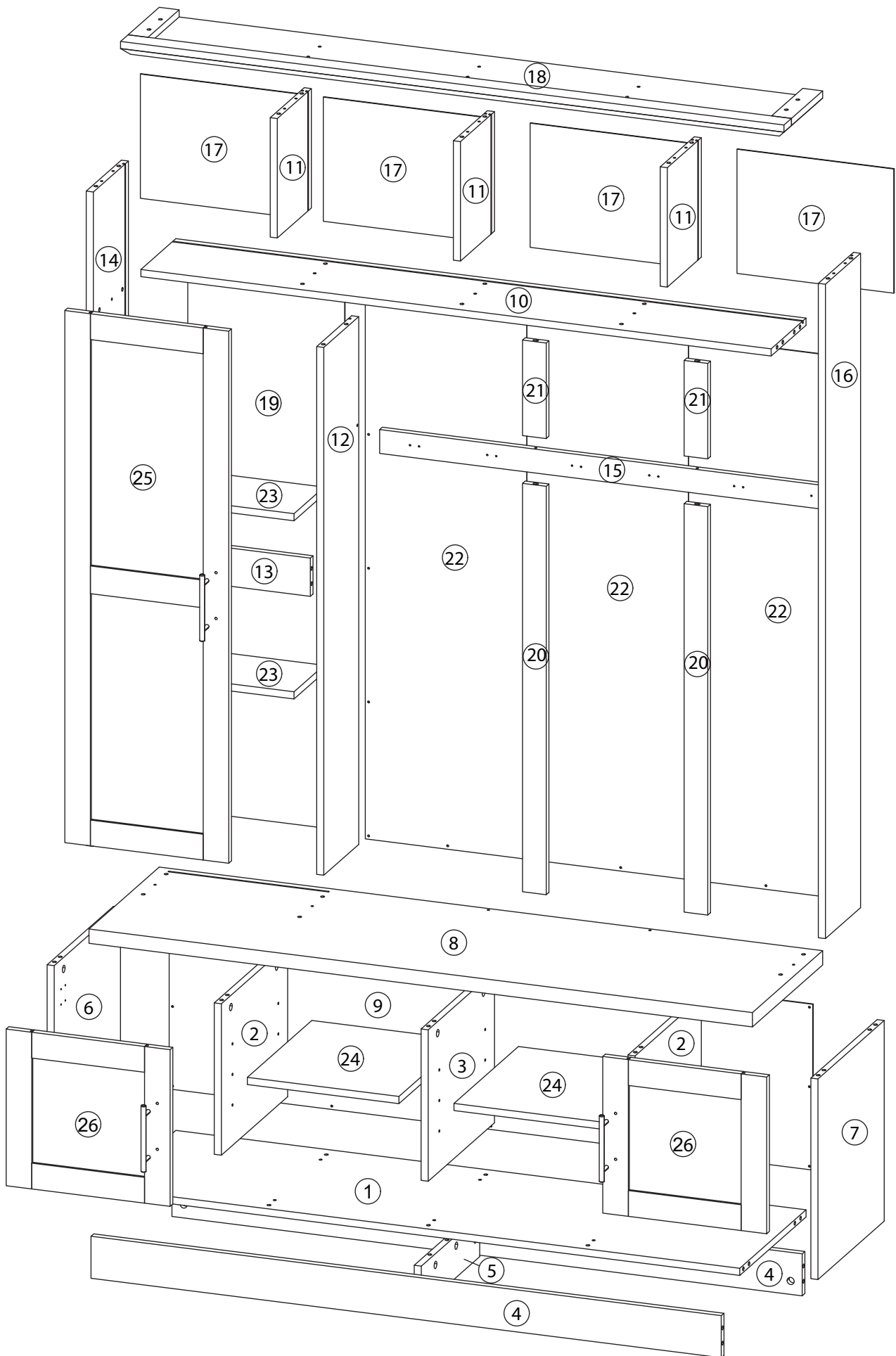
Components-Parts

| | | | |
|---|---|--|---|
|  |  |  |  |
| 1330*370*15mm | 370*317*15mm | 370*317*15mm | 1330*88*15mm |
| ① X1 | ② X2 | ③ X1 | ④ X2 |
|  |  |  |  |
| 326*88*15mm | 420*370*15mm | 420*370*15mm | 1400*392*30mm |
| ⑤ X1 | ⑥ X1 | ⑦ X1 | ⑧ X1 |
|  |  |  |  |
| 1358*347*3mm | 1330*195*15mm | 250*195*15mm | 1105*195*15mm |
| ⑨ X1 | ⑩ X1 | ⑪ X3 | ⑫ X1 |
|  |  |  |  |
| 321*80*15mm | 1370*195*15mm | 994*50*15mm | 1370*195*15mm |
| ⑬ X1 | ⑭ X1 | ⑮ X1 | ⑯ X1 |

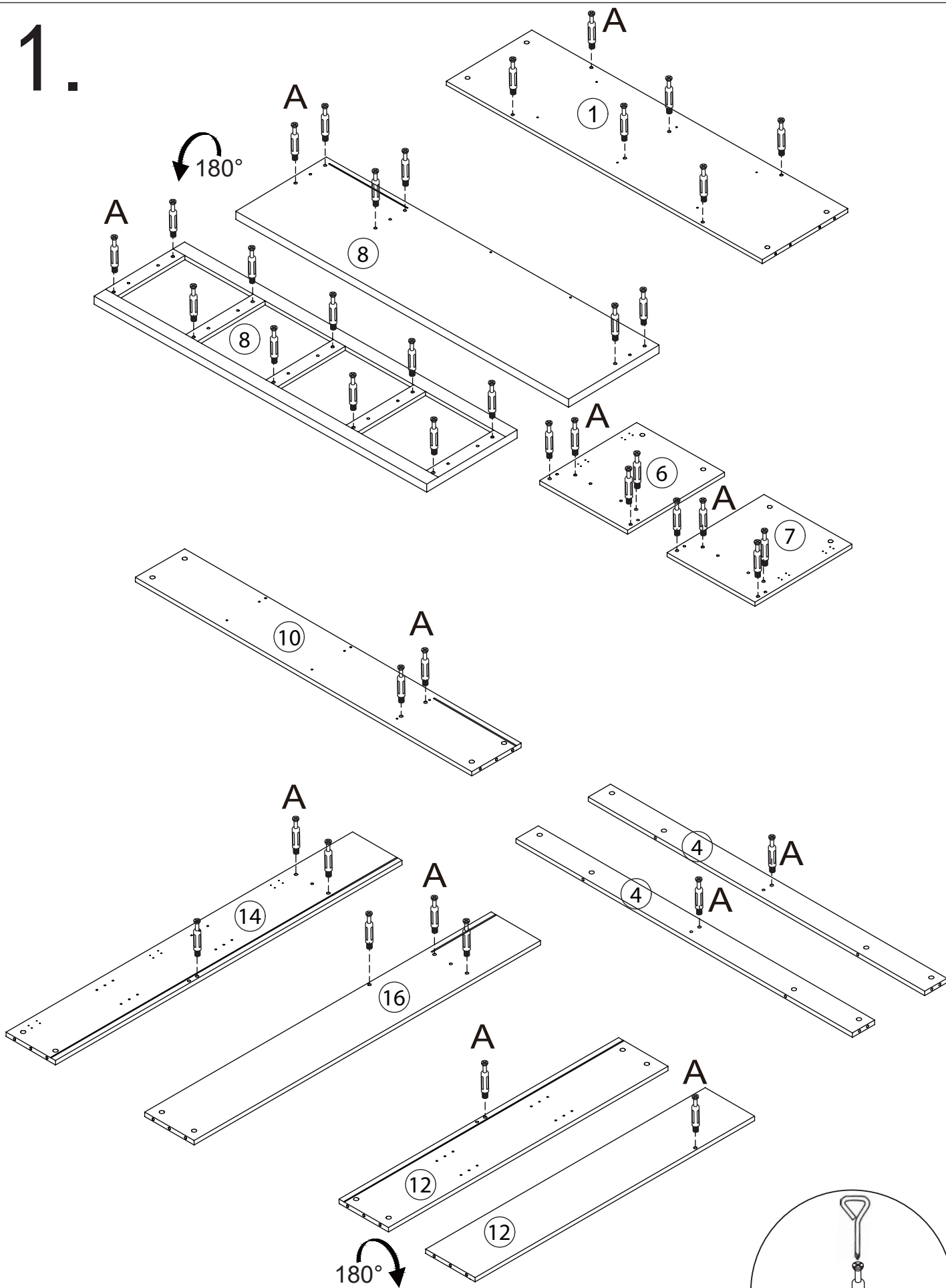
Components-Parts

| | | | |
|--|---|--|--|
|  <p>330.5*260*3mm</p> |  <p>1400*216*30mm</p> |  <p>1115*331*3mm</p> |  <p>855*50*15mm</p> |
| <p>⑰X4</p> | <p>⑱X1</p> | <p>⑲X1</p> | <p>⑳X2</p> |
|  <p>200*50*15mm</p> |  <p>1135*341*3mm</p> |  <p>320*168*15mm</p> |  <p>360*320*15mm</p> |
| <p>㉑X2</p> | <p>㉒X3</p> | <p>㉓X2</p> | <p>㉔X2</p> |
|  <p>1114*348*15mm</p> |  <p>348*328*15mm</p> | | |
| <p>㉕X1</p> | <p>㉖X2</p> | | |

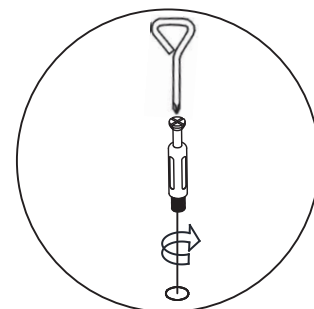
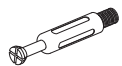
Assembly Instructions



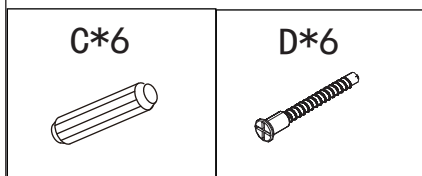
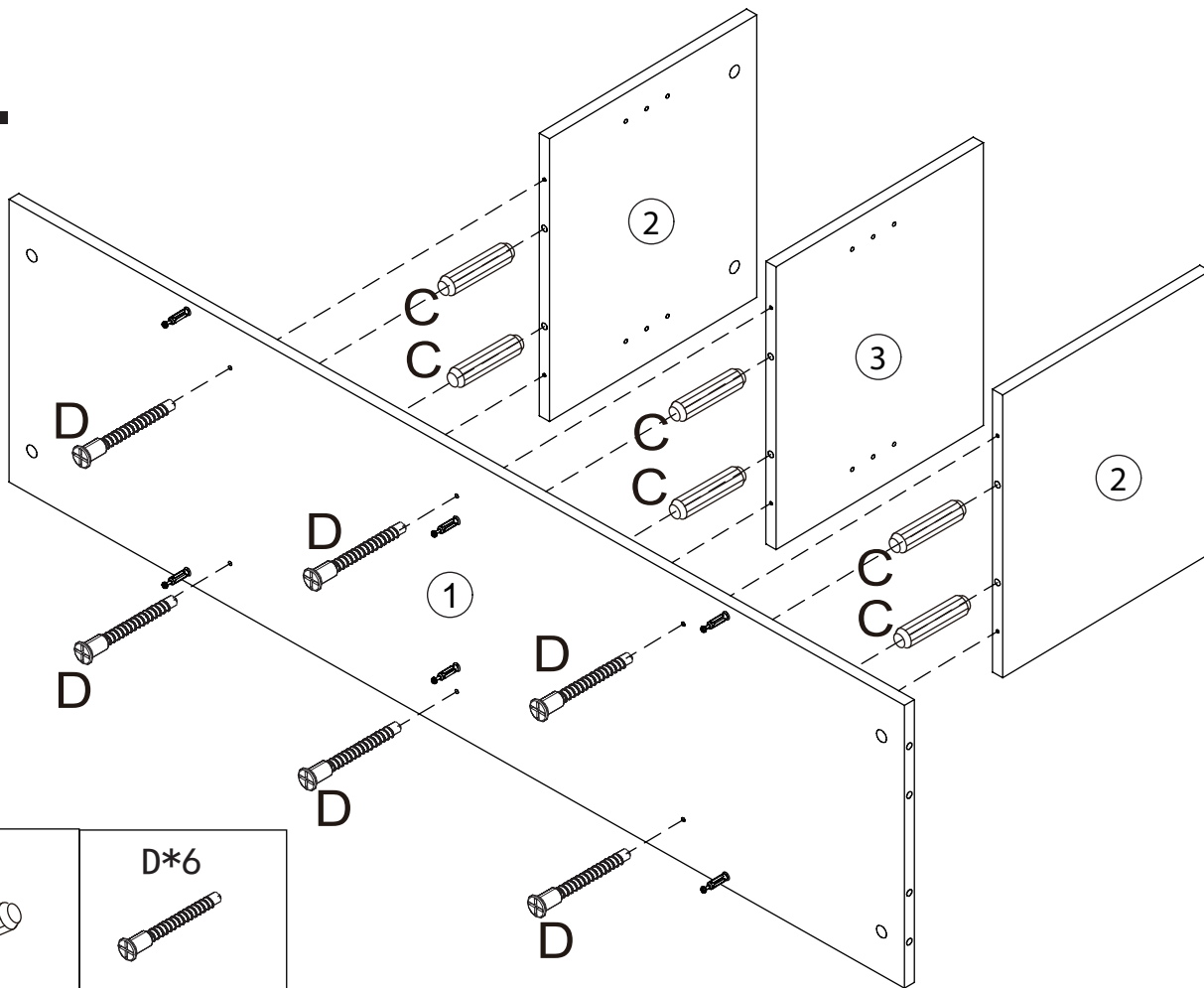
1.



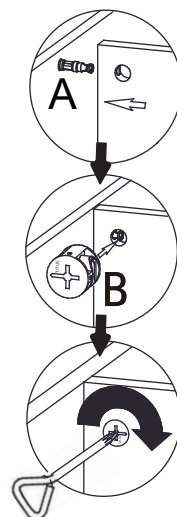
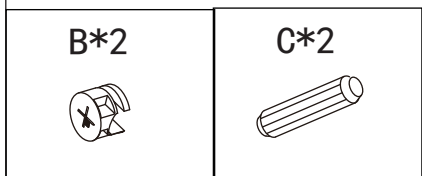
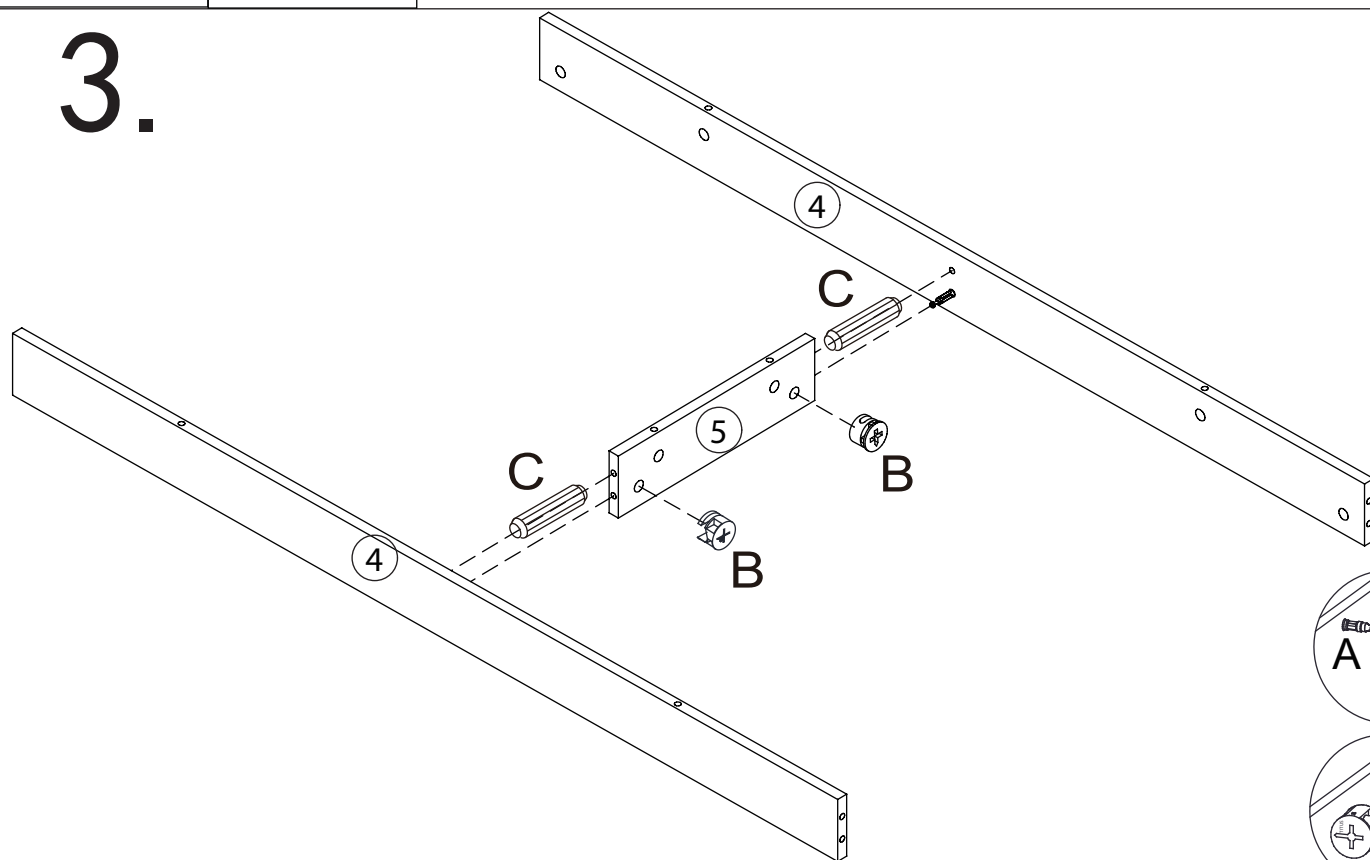
A*42



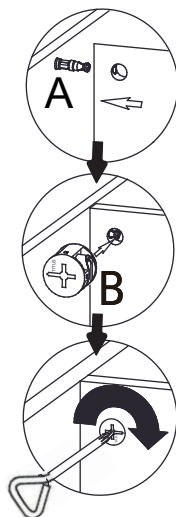
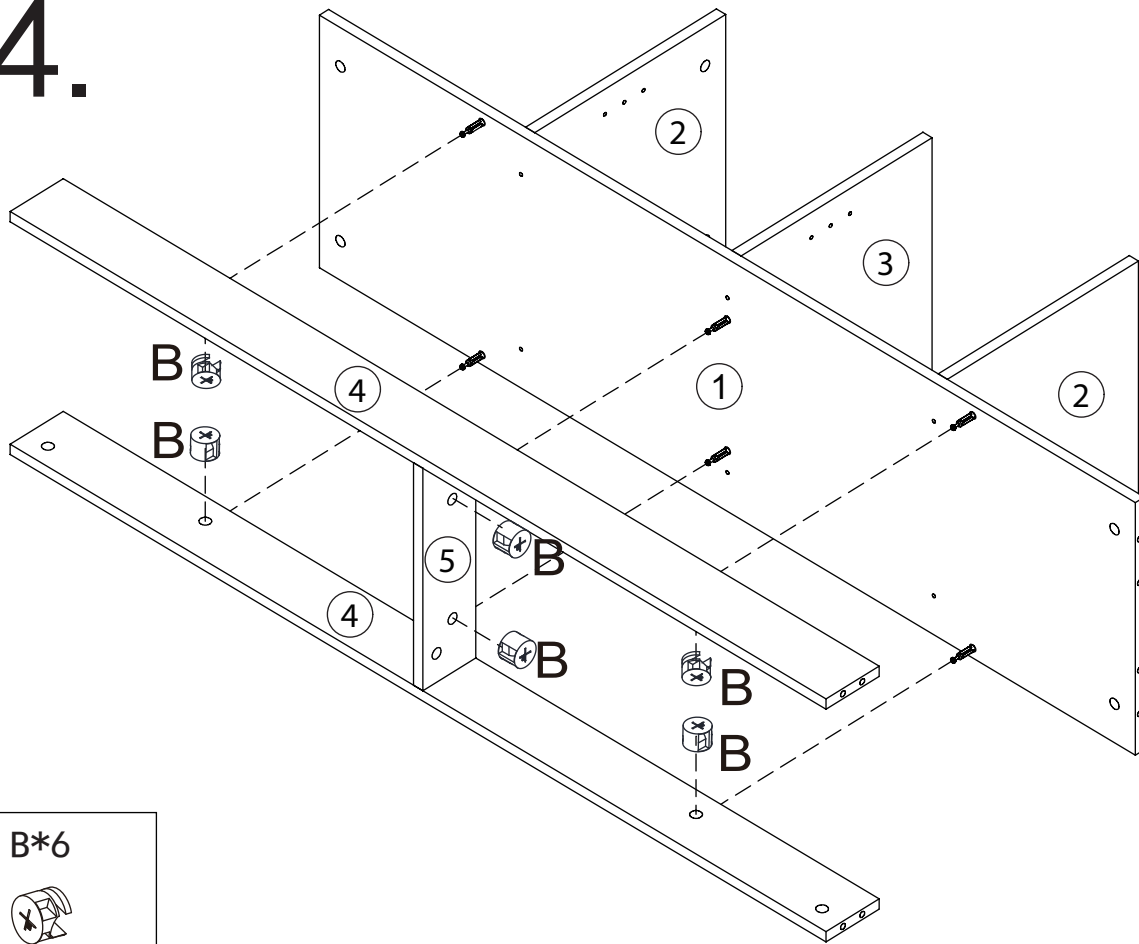
2.



3.

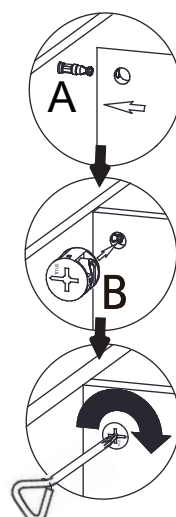
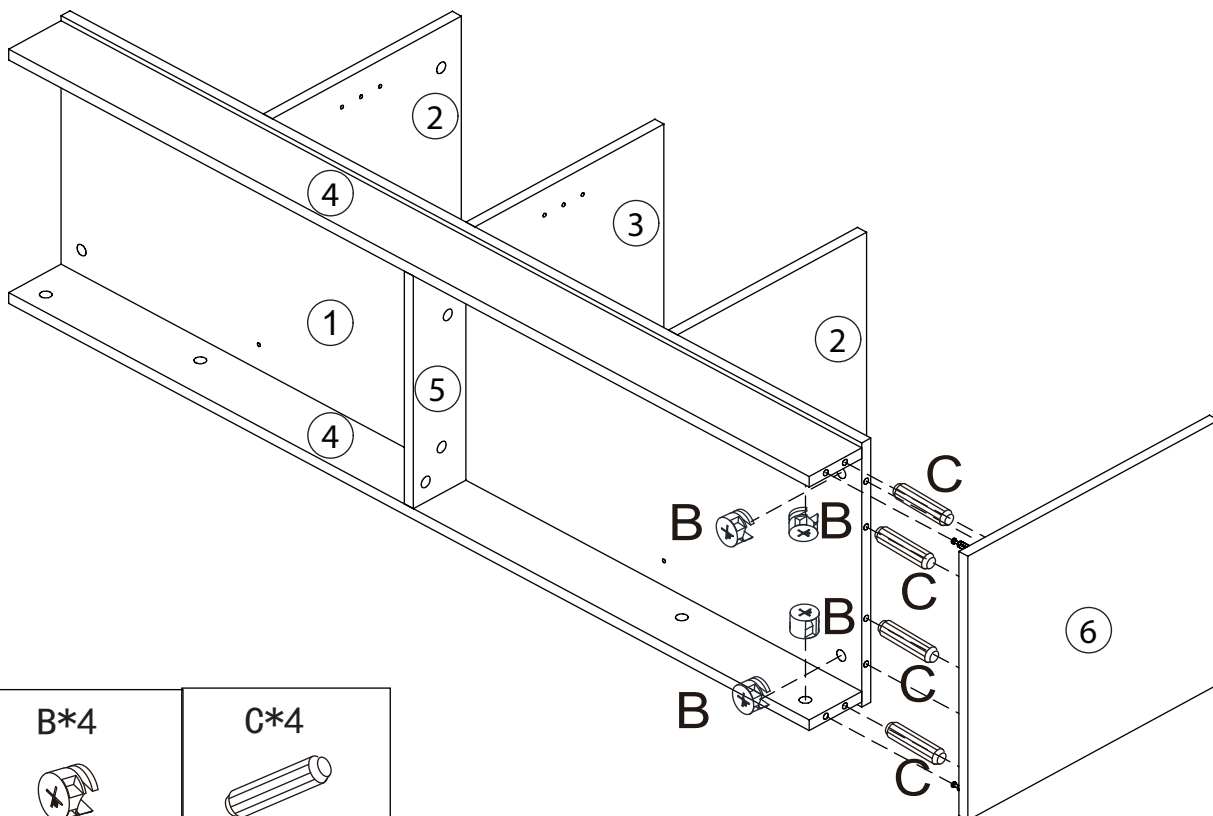


4.



B*6

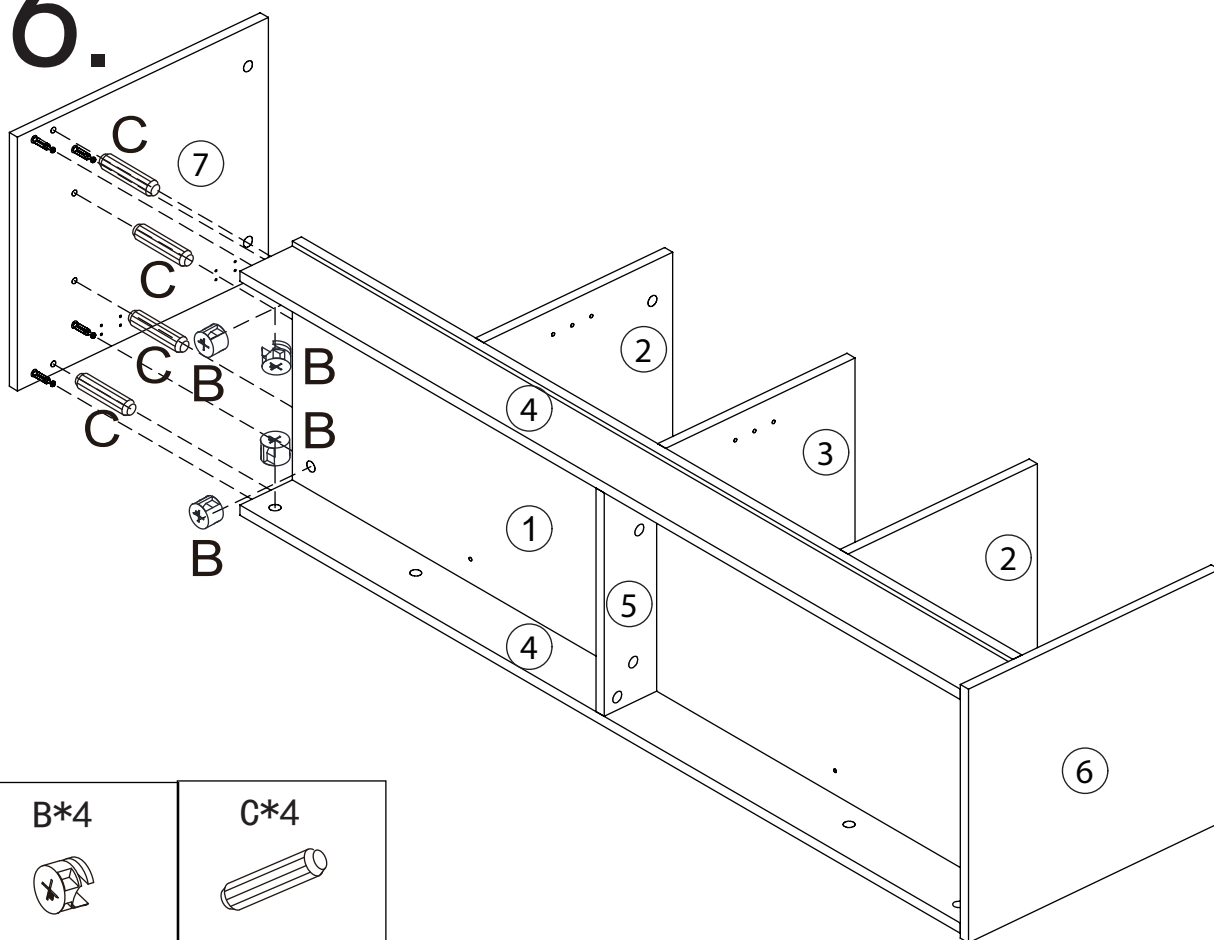
5.



B*4

C*4

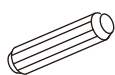
6.



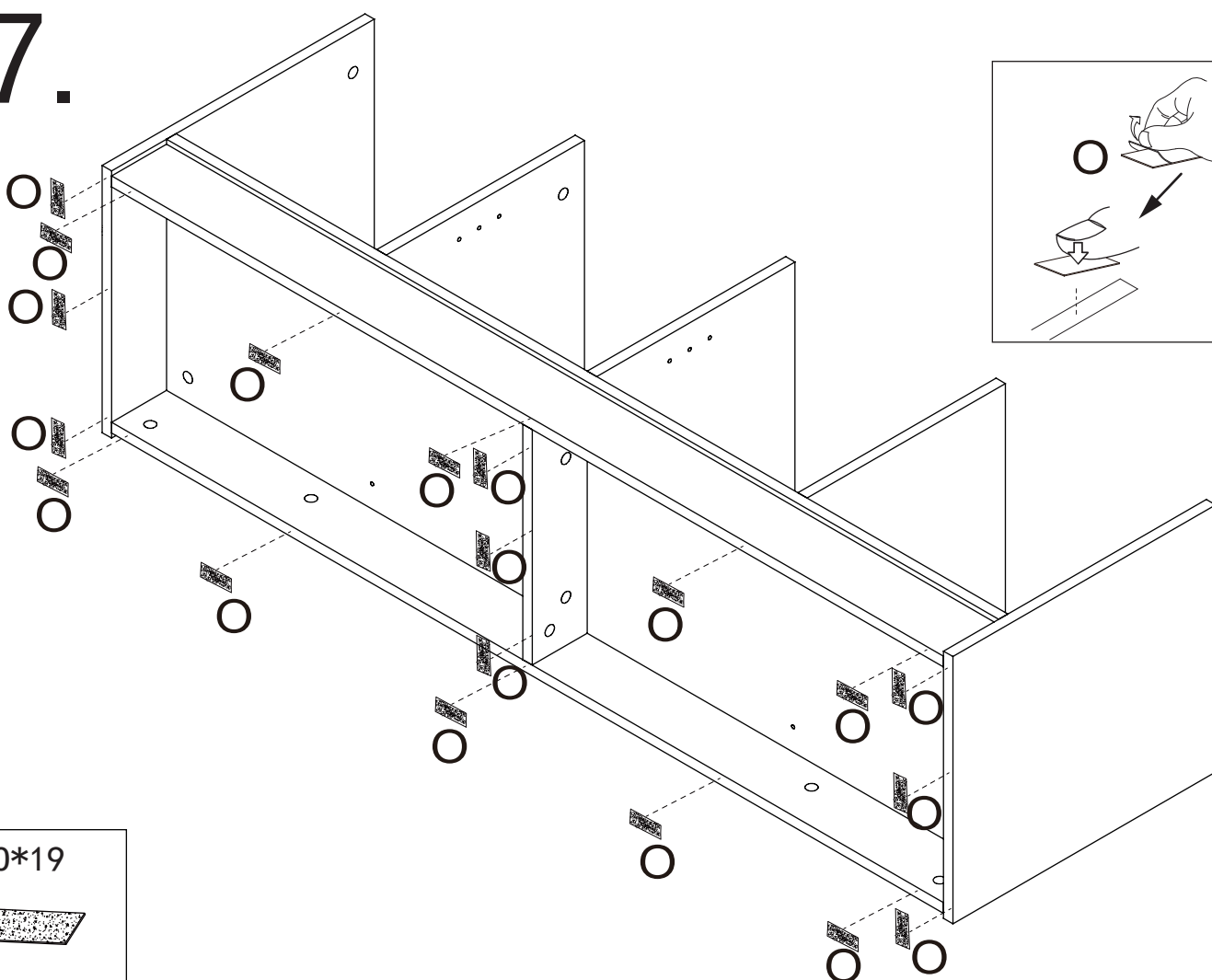
B*4



C*4



7.

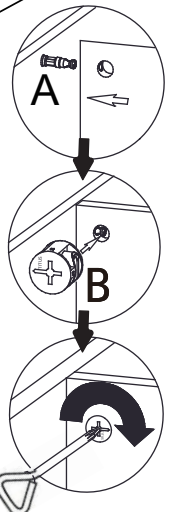
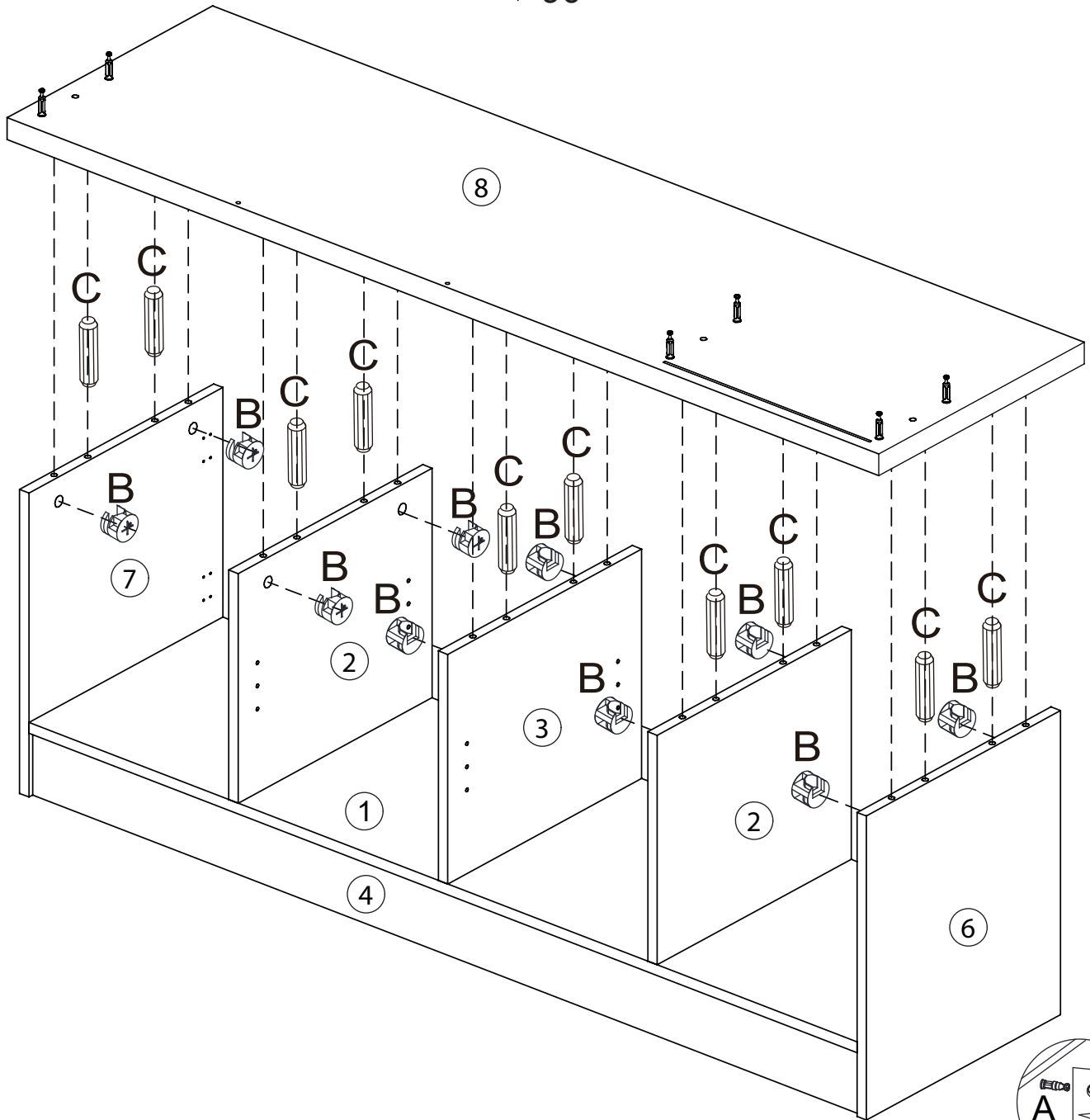


0*19



8.

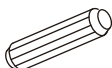
It's better if two or more people work together on this step.
Please flip carefully!



B*10



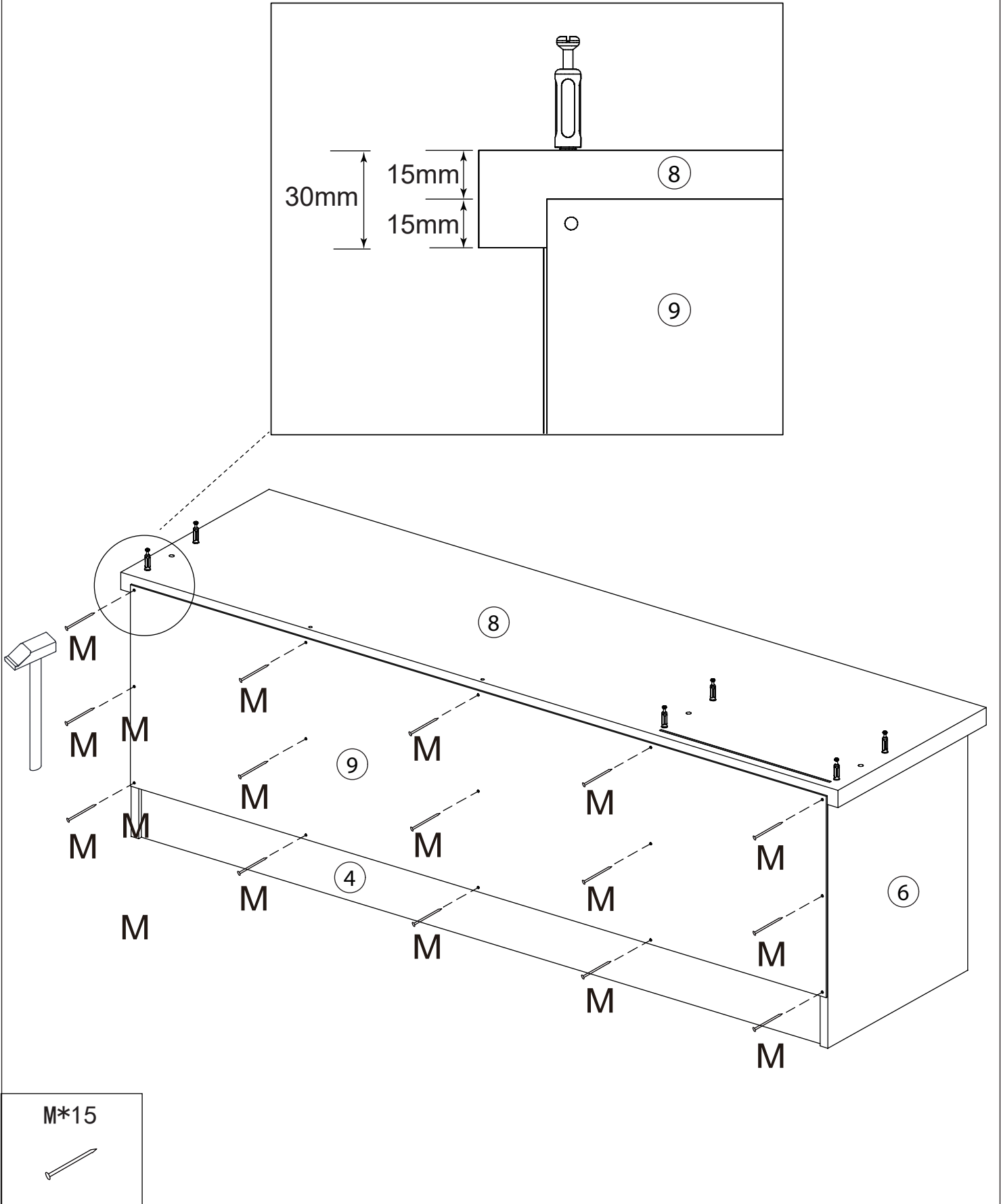
C*10



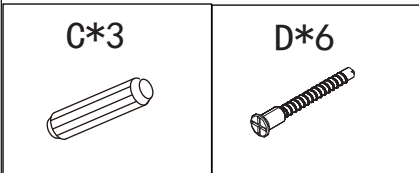
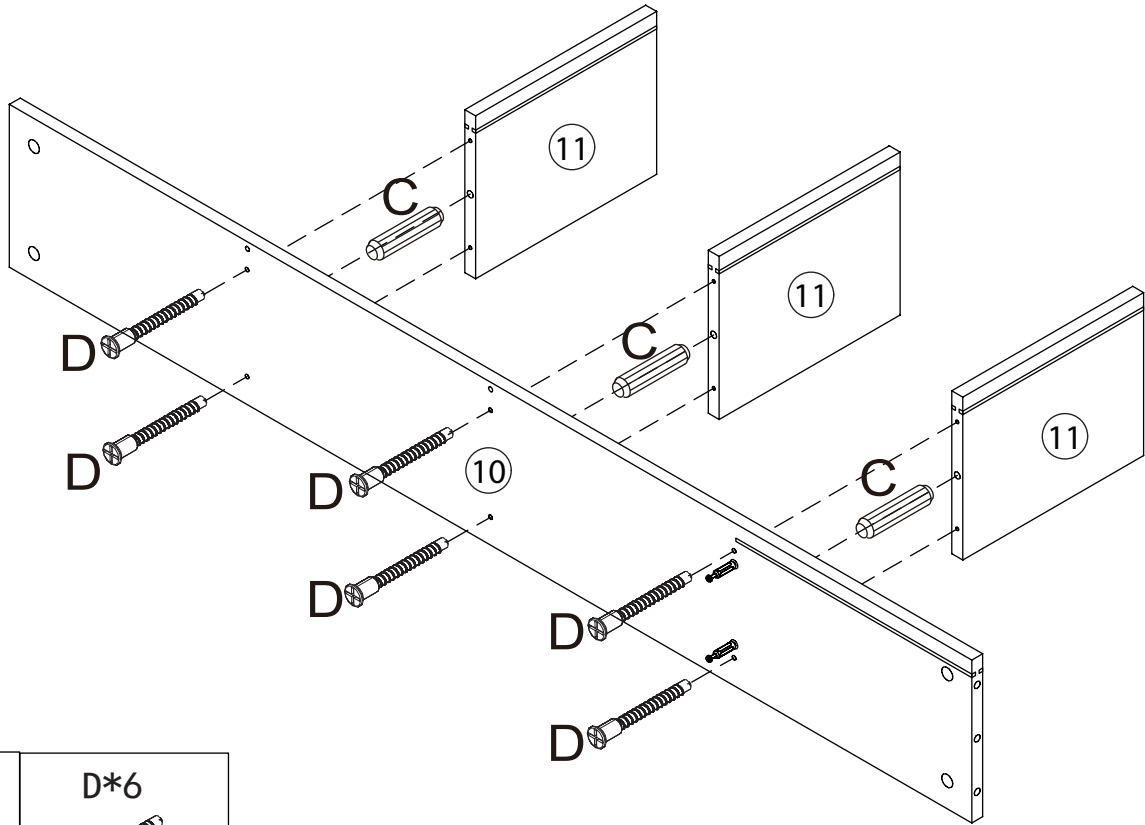
9.

When installing ⑨, pay attention to covering half of the thickness of ⑧ (15mm). Reserve half of the thickness of ⑧ (15mm) for installation of ⑳.

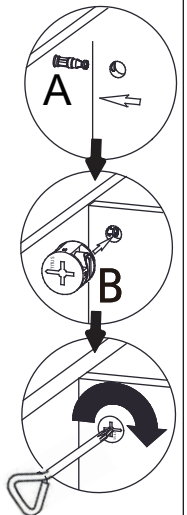
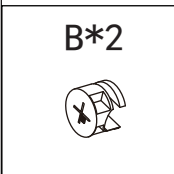
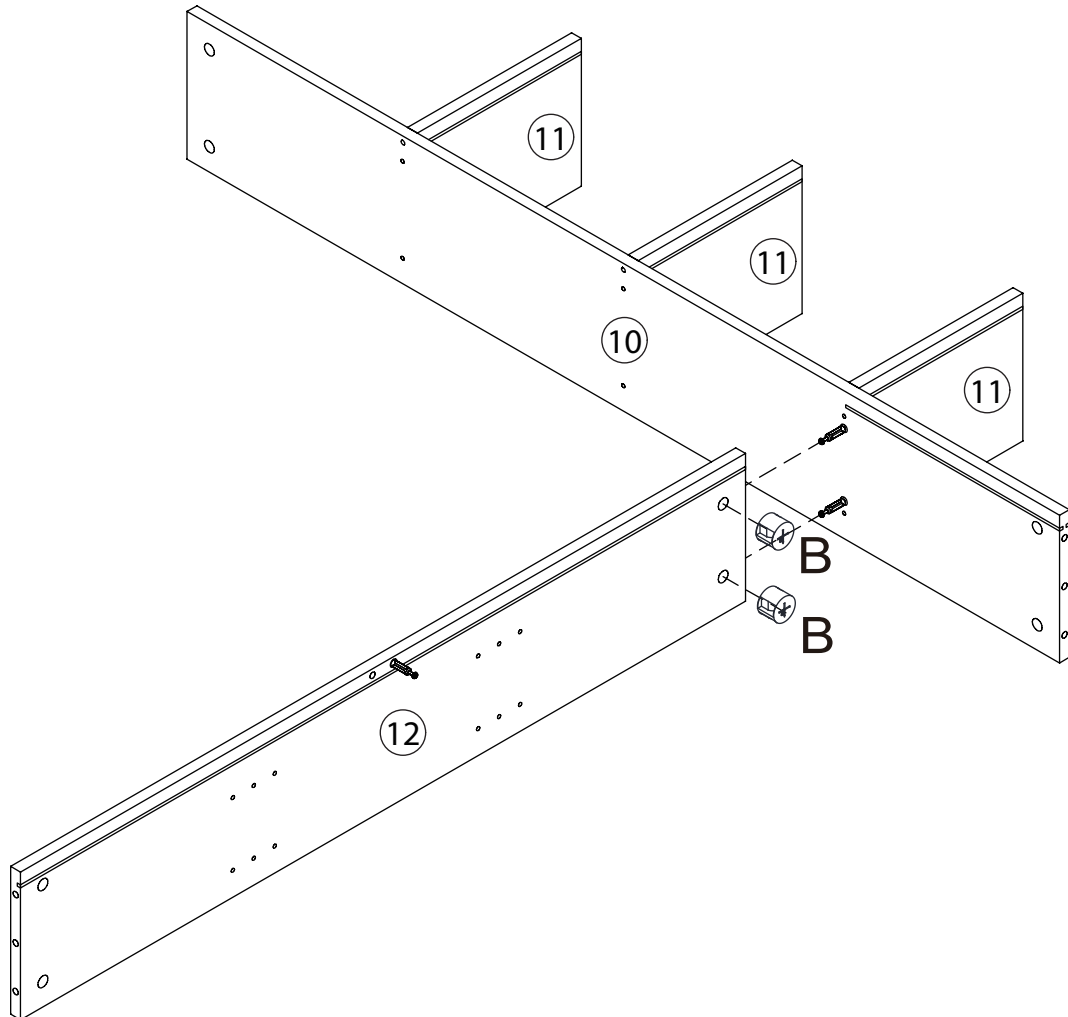
As shown in the following figure:



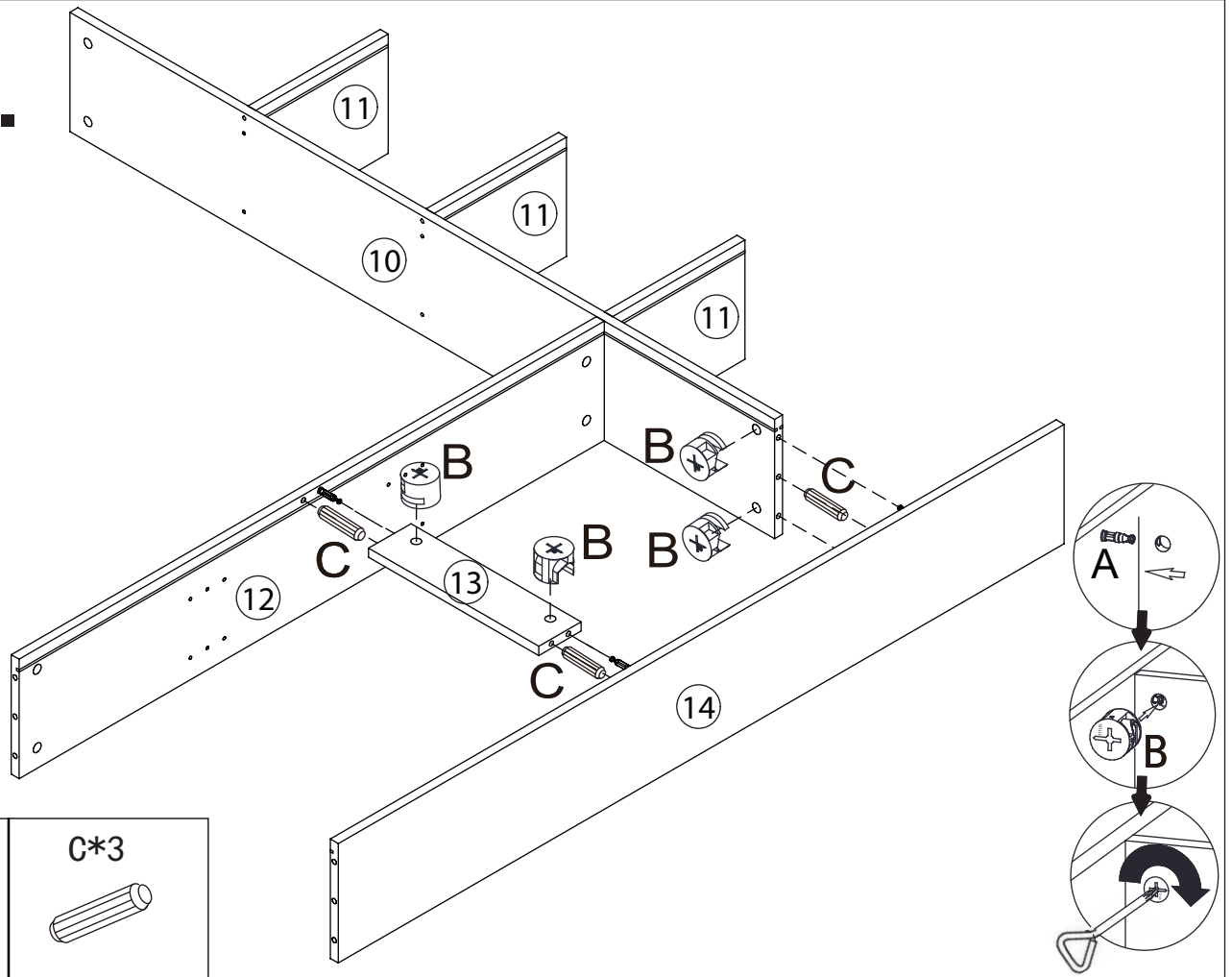
10.



11.



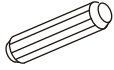
12.



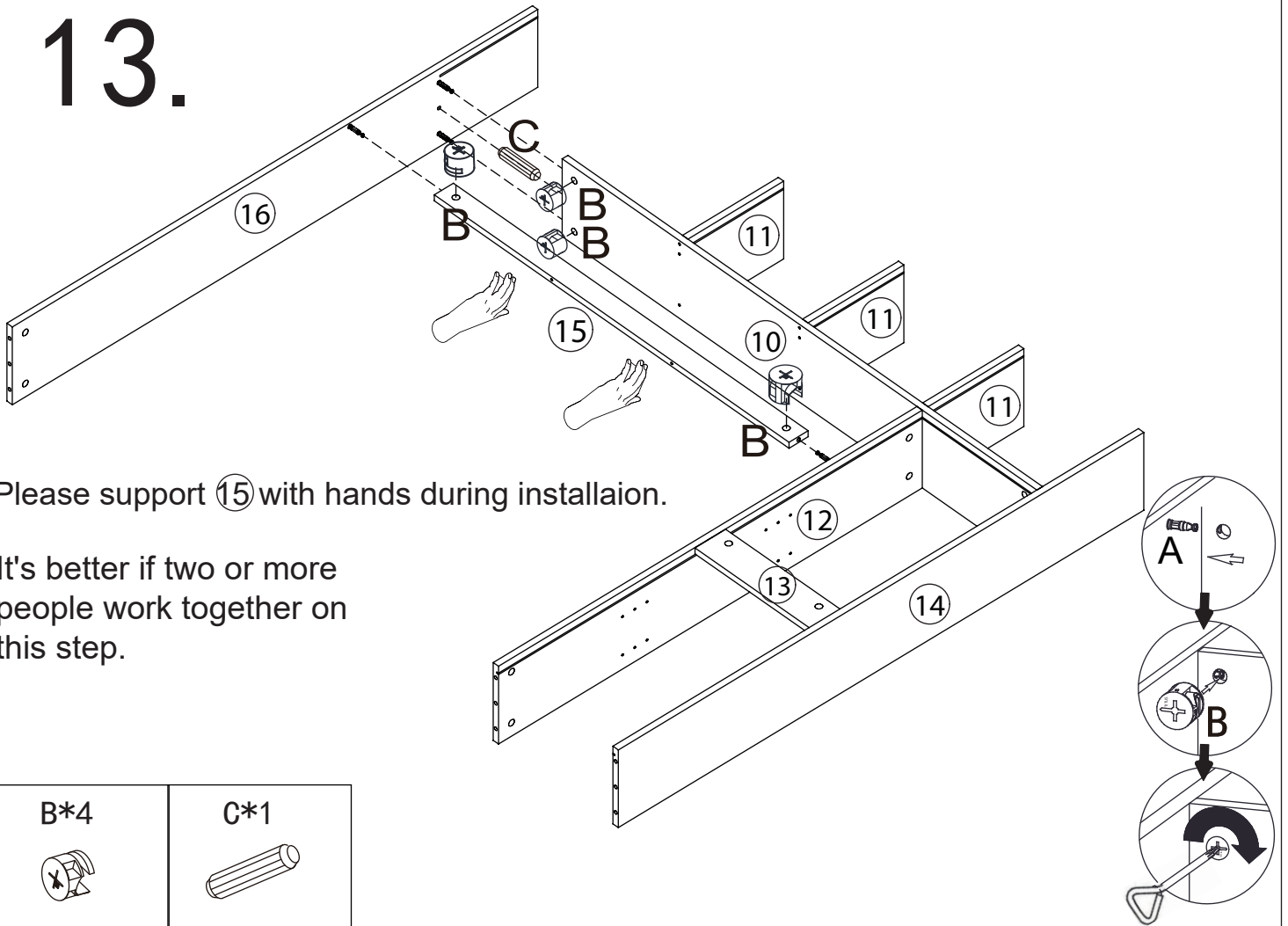
B*4



C*3



13.



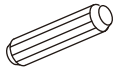
Please support ⑮ with hands during installaion.

It's better if two or more people work together on this step.

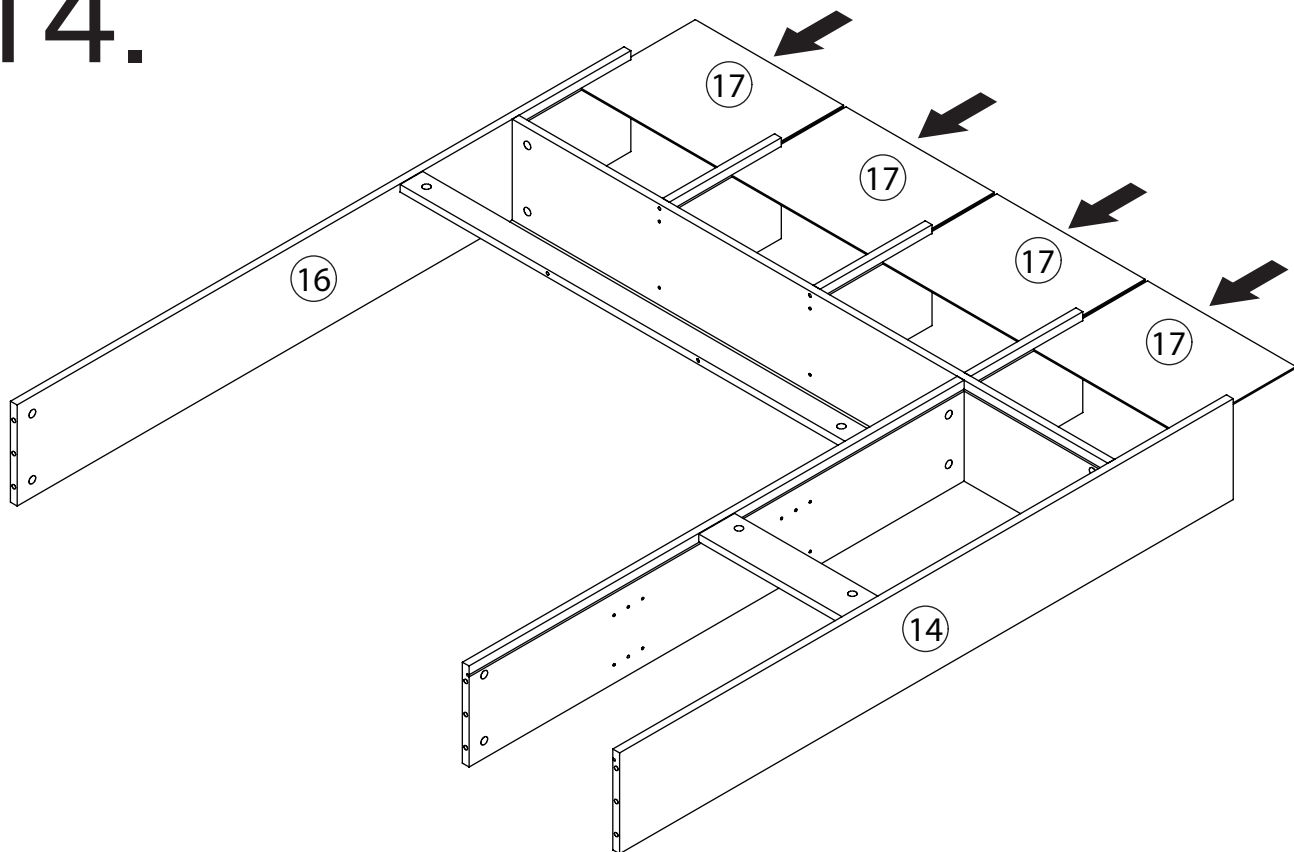
B*4



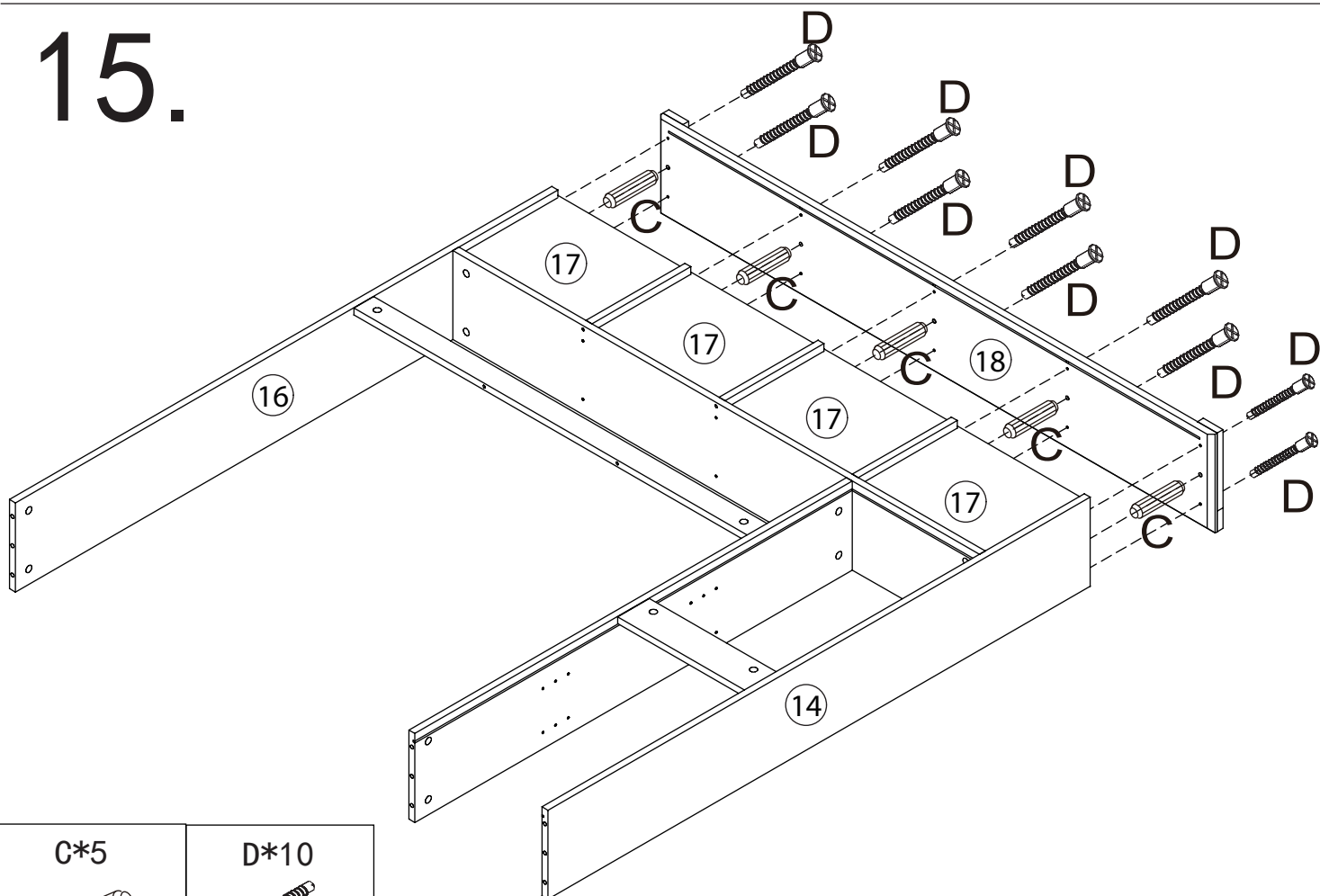
C*1



14.



15.



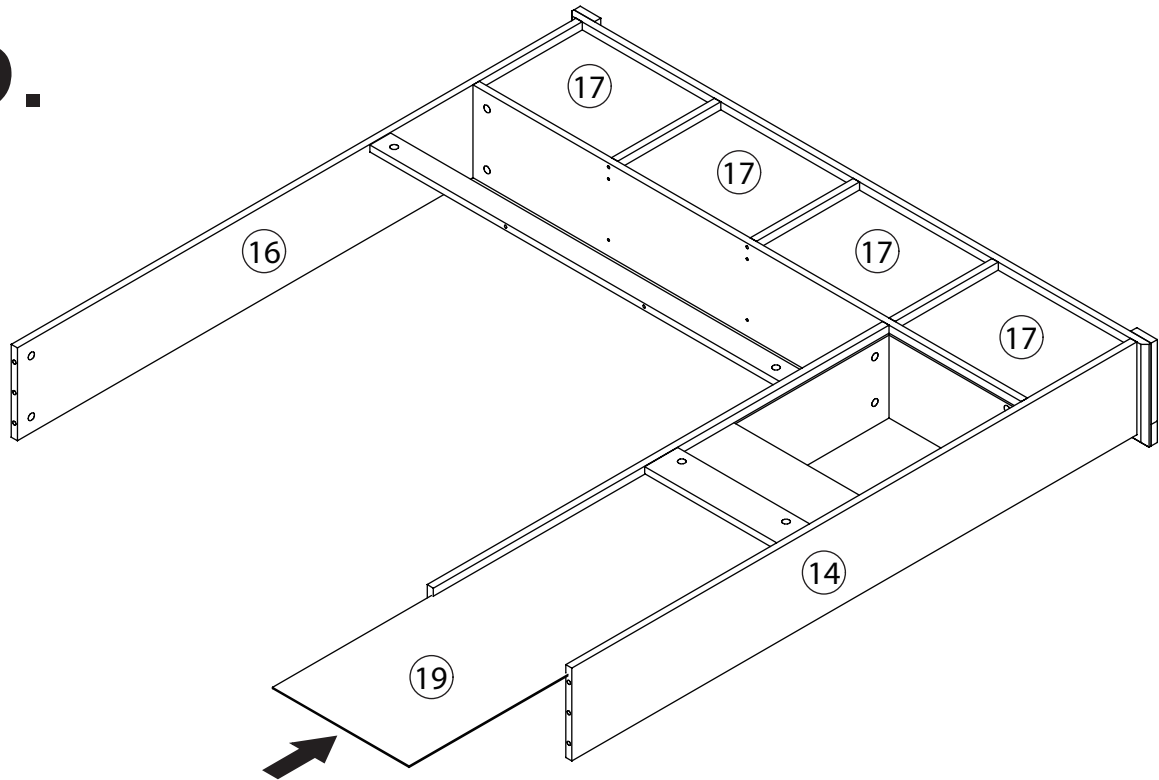
C*5



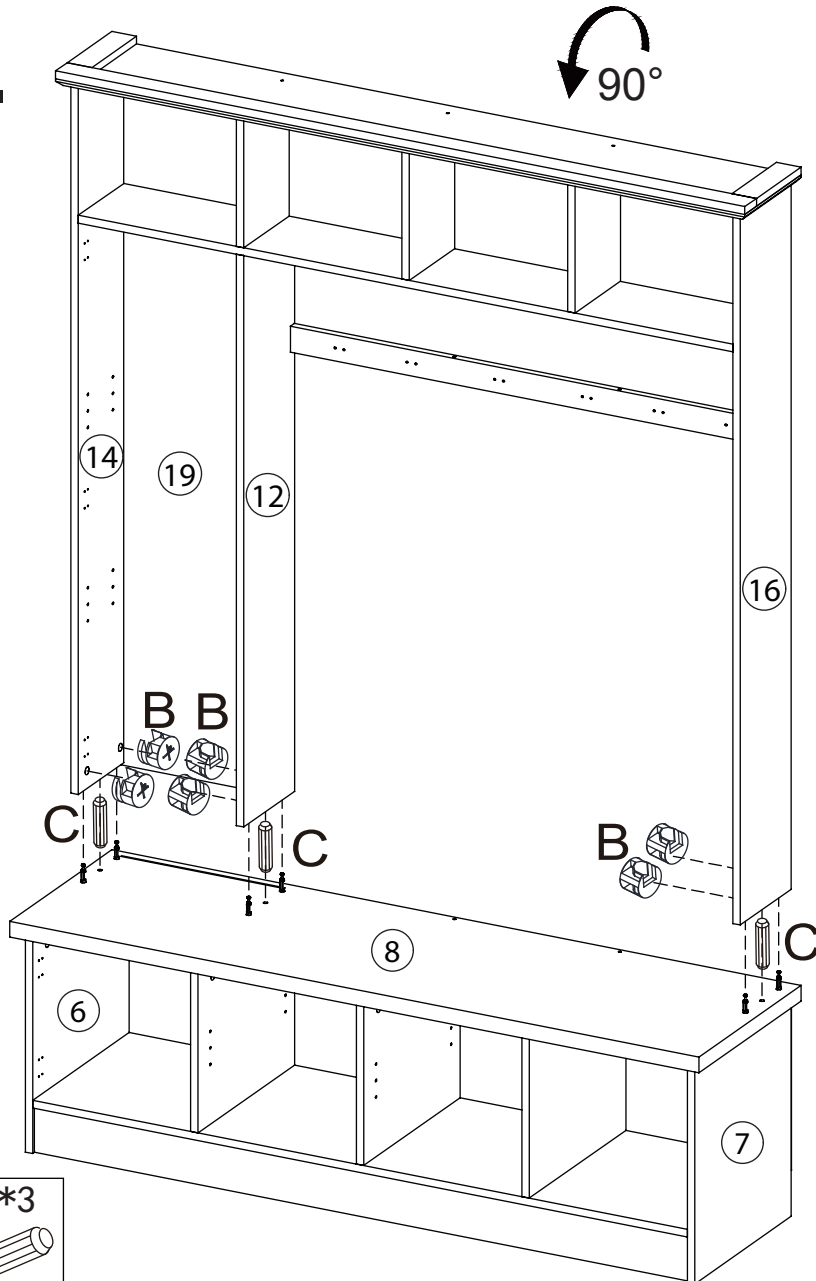
D*10



16.



17.



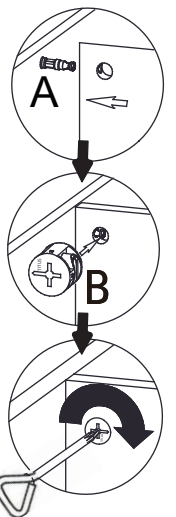
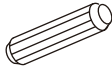
It's better if two or more people work together on this step.

Please flip carefully!

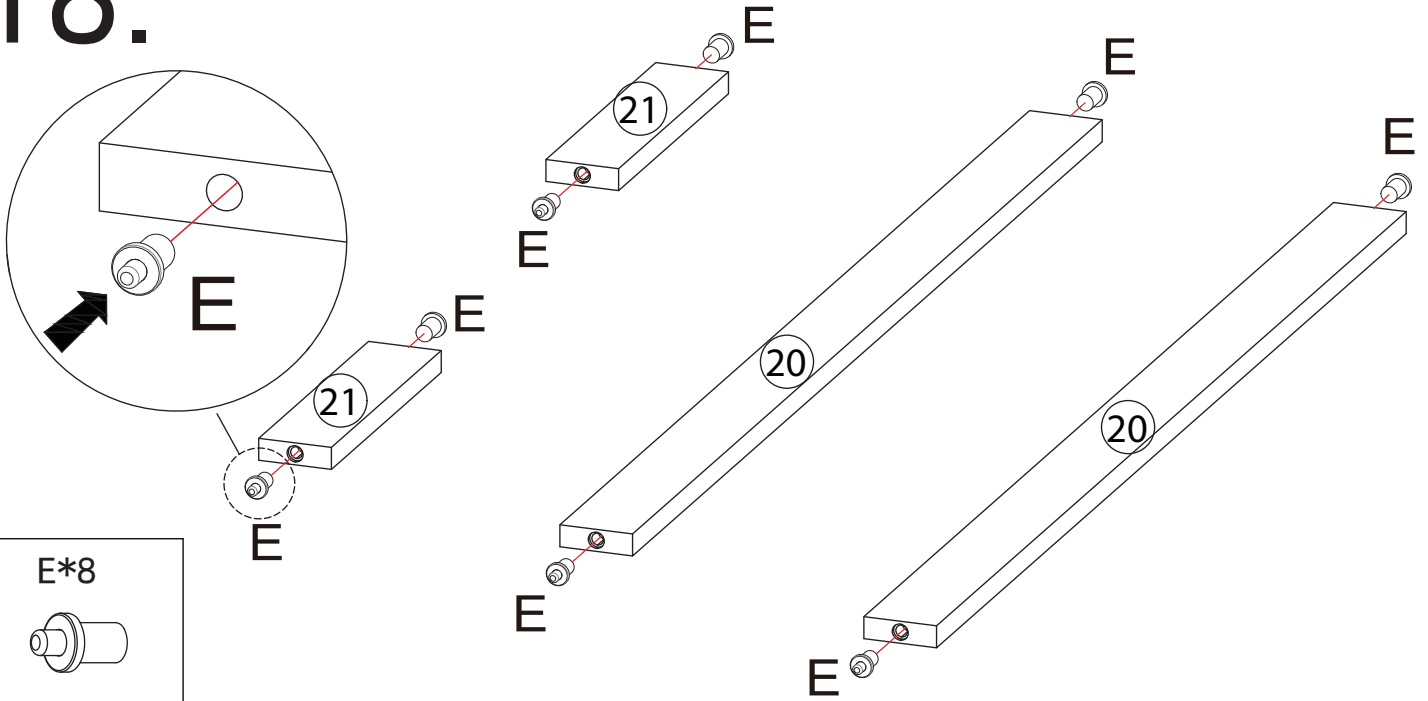
Please hold onto 19 with hands during installation. To prevent 19 from falling off.

B*6

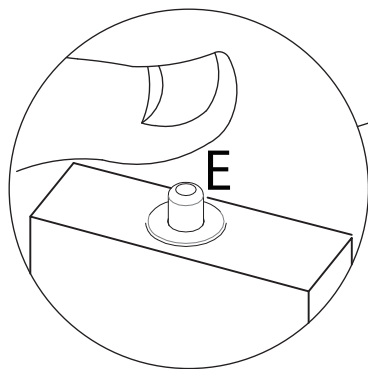
C*3



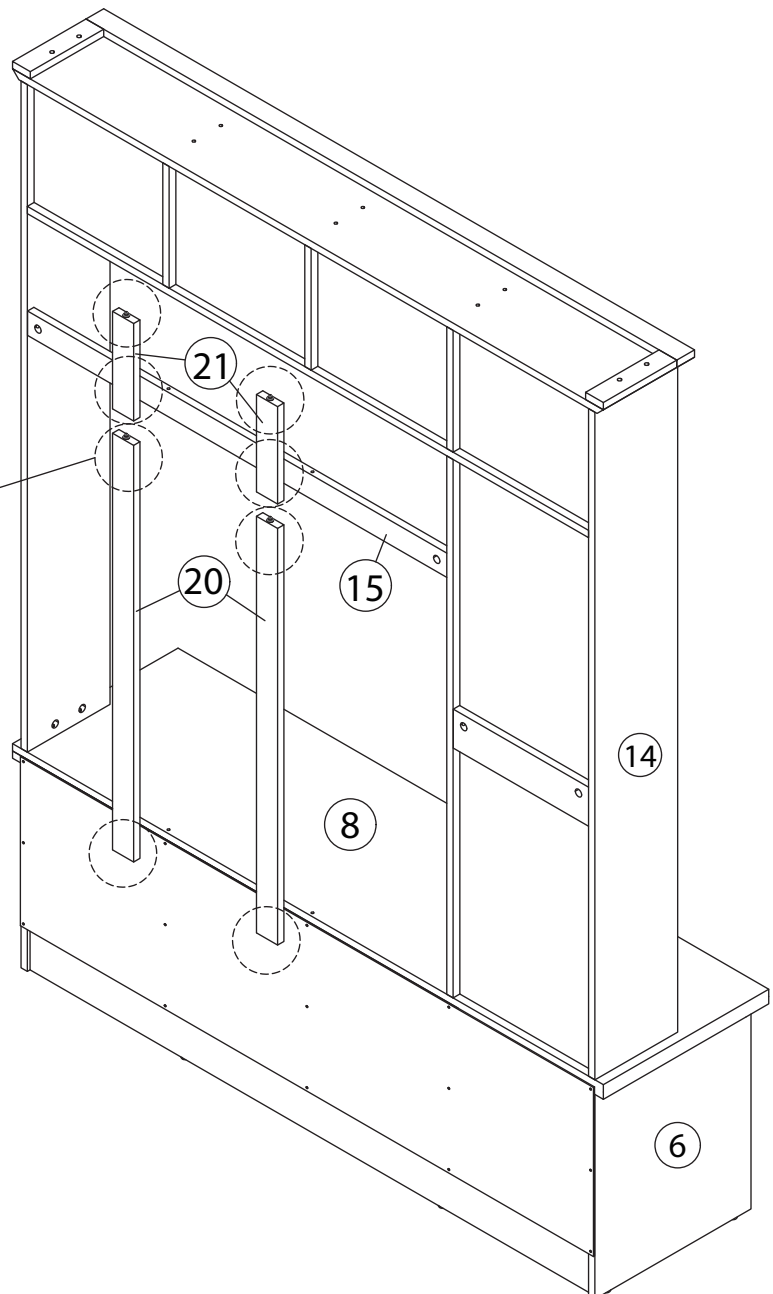
18.



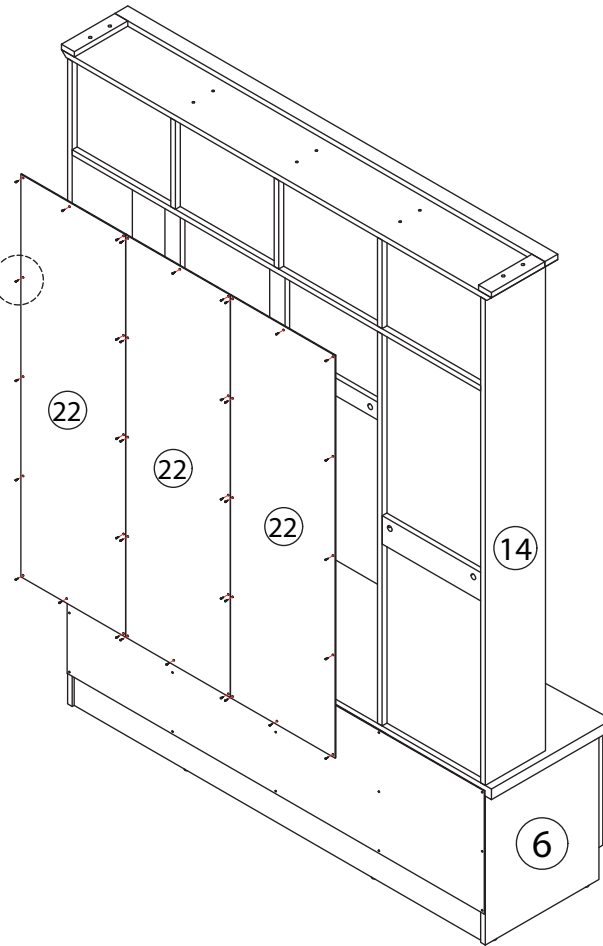
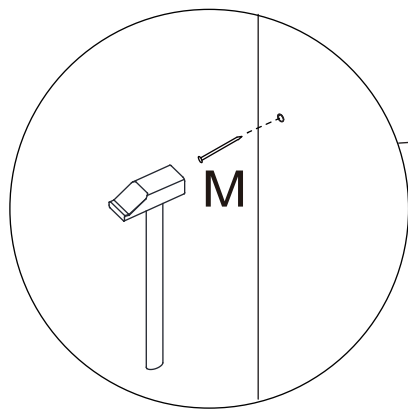
19.



Press hardware E and then slot in to the hole at cabinet.



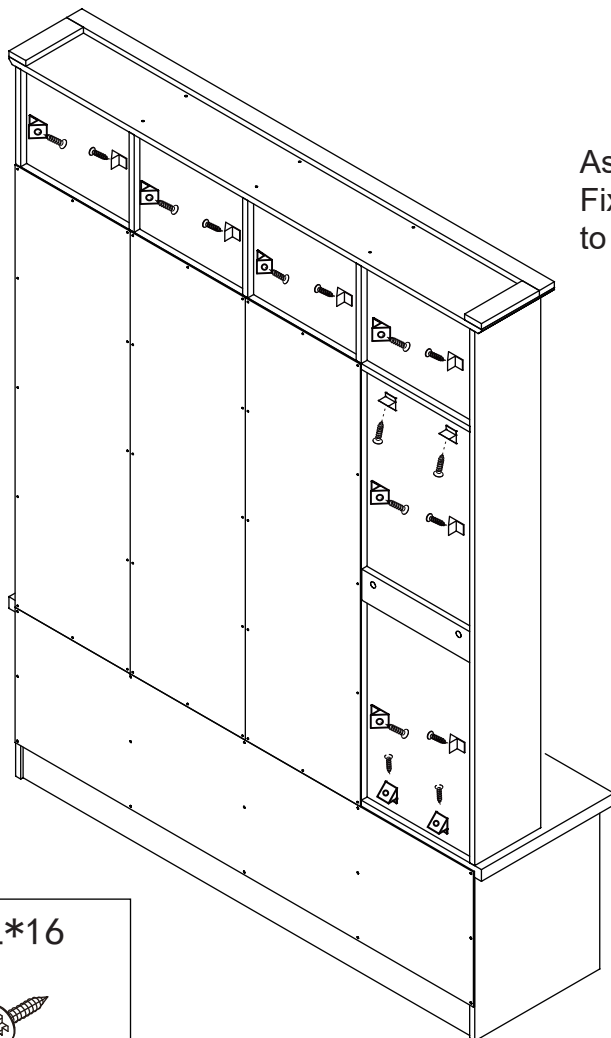
20.



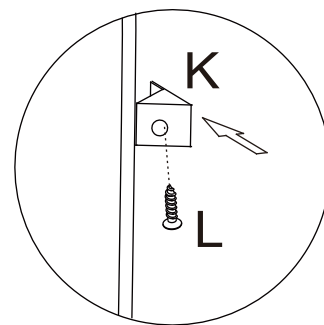
M*36



21.



As the picture shows,
Fix hardware "K" into the gap with screws
to make the back panel more stable.



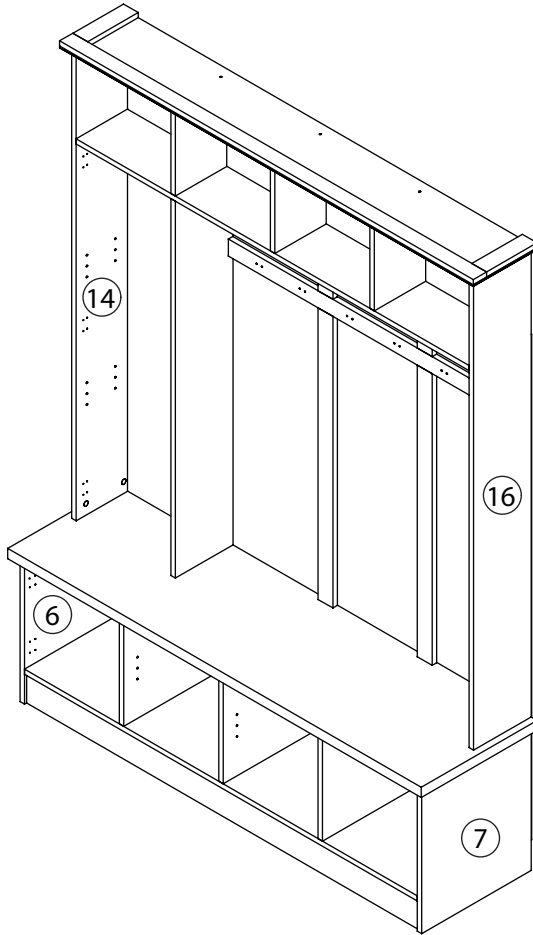
K*16



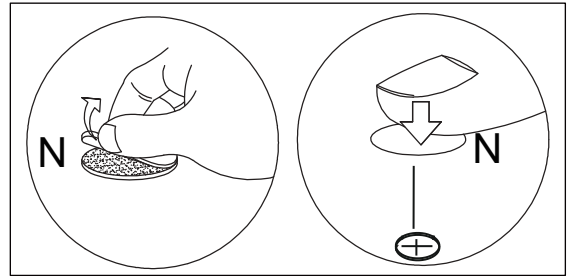
L*16



22.

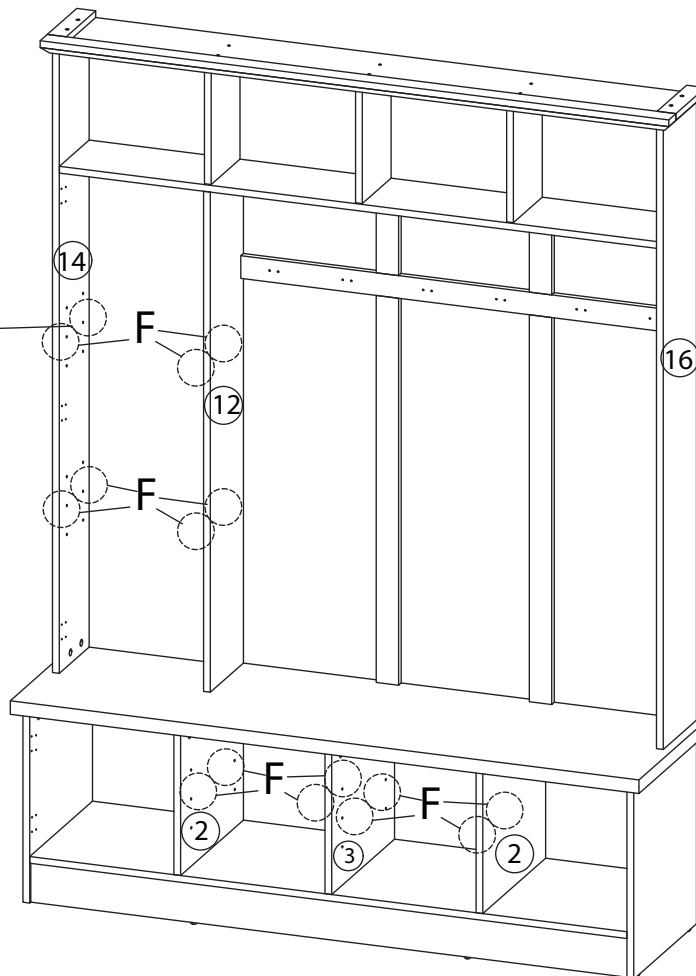
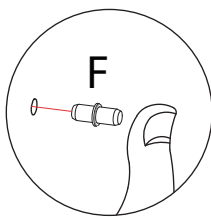


N*42

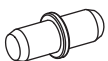


Please stick the hardware "N" on the exposed hole that makes your product more beautiful.

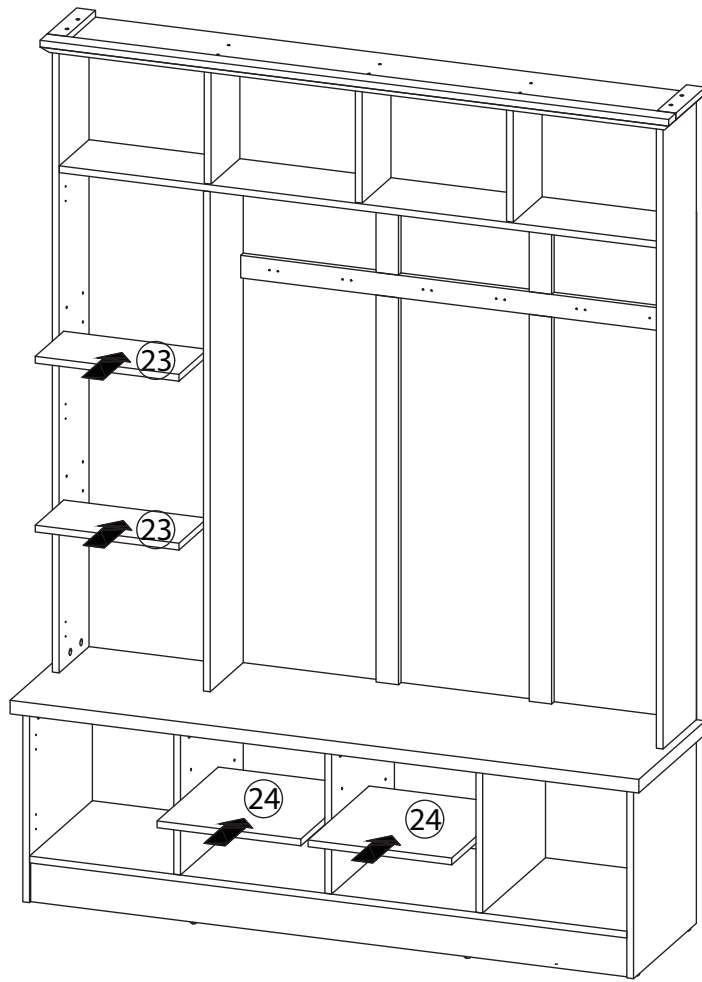
23.



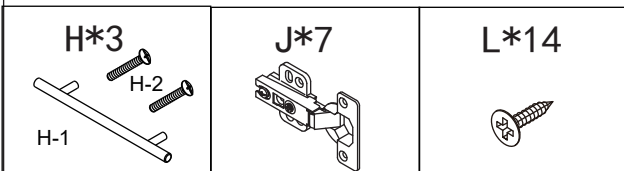
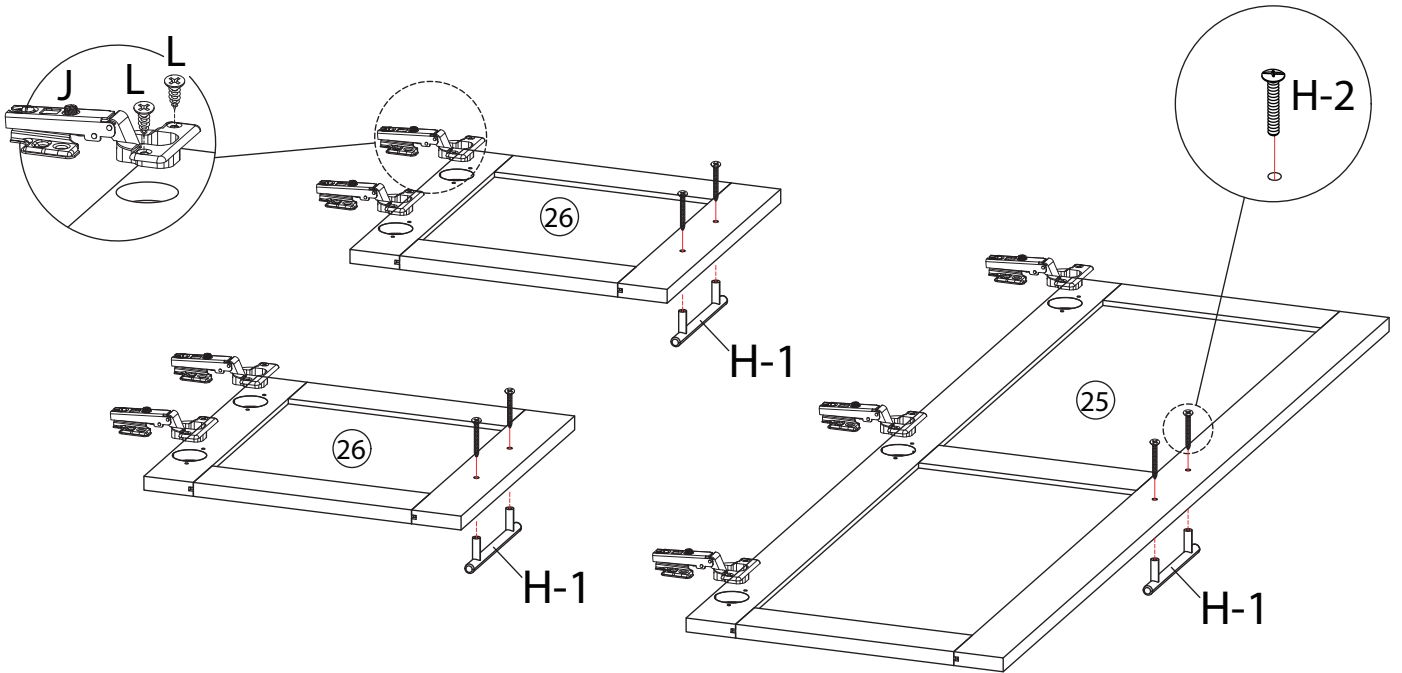
F*16



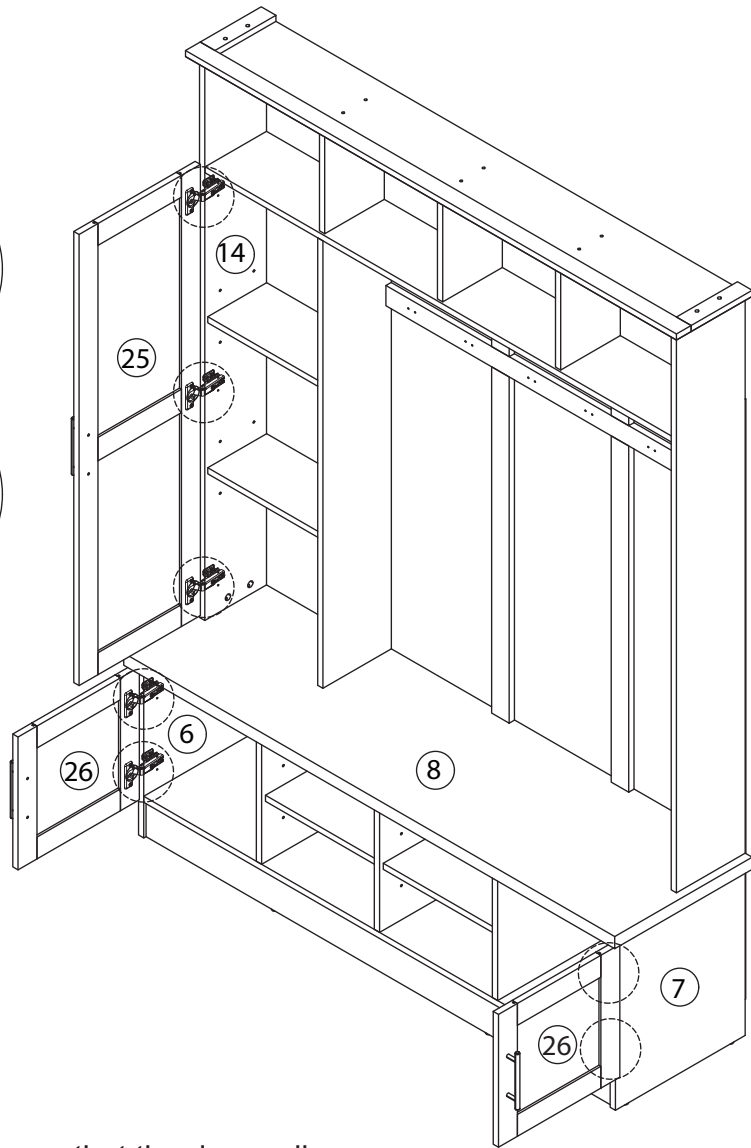
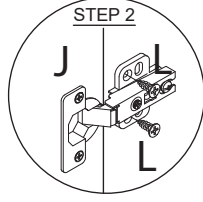
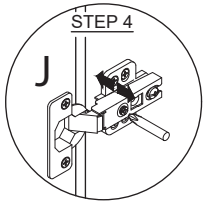
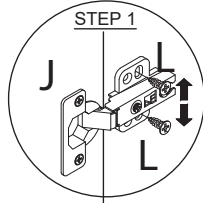
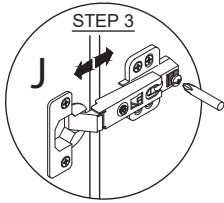
24.



25.



26.

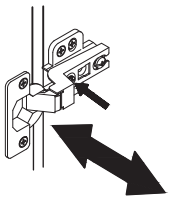


L*28

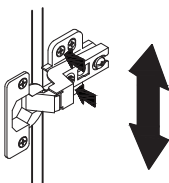


HINGE ADJUSTMENT GUIDE

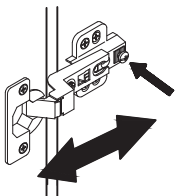
It may be necessary to adjust the hinges so that the doors align. Use the instructions below as a guide.



To adjust the door horizontal loosen the screw as shown by turning clockwise or anti-clockwise.

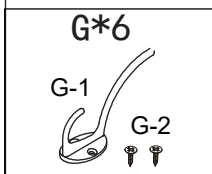
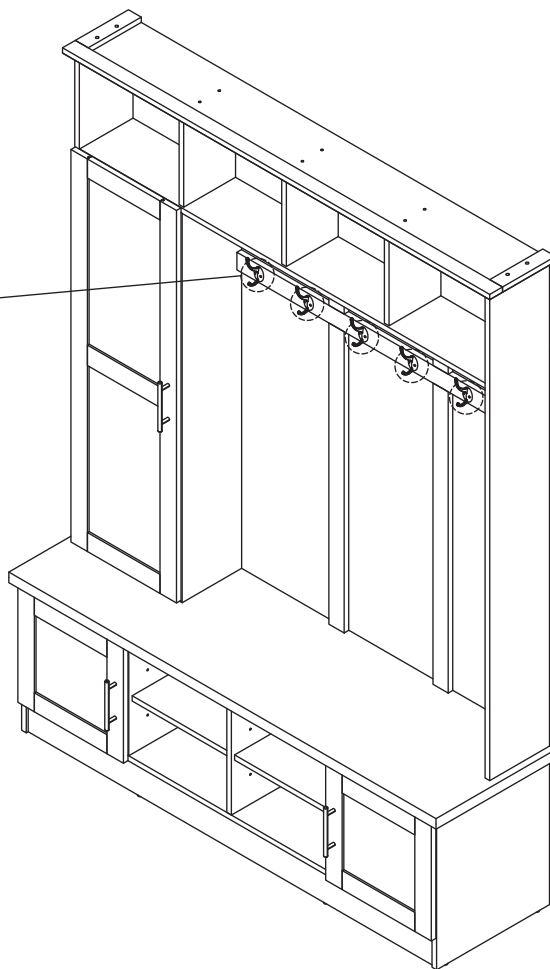
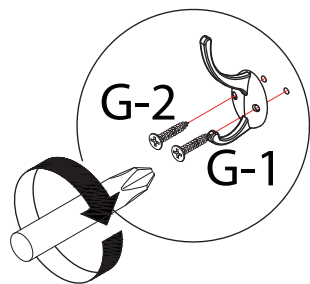


To adjust the door vertically loosen the screw as shown and move up and down as needed.

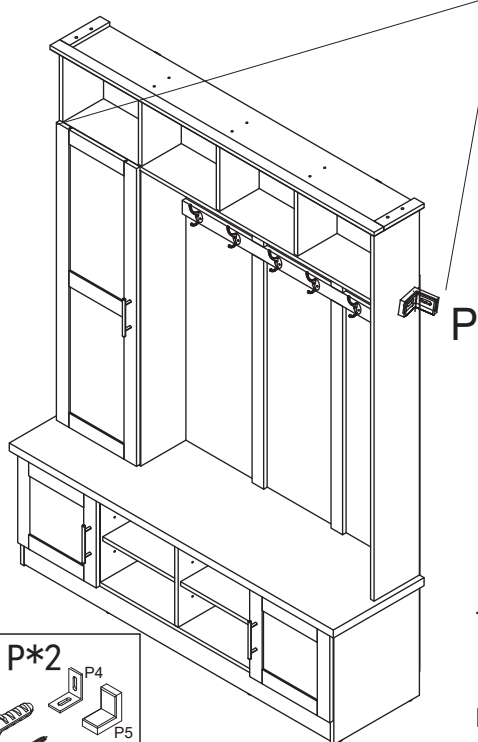
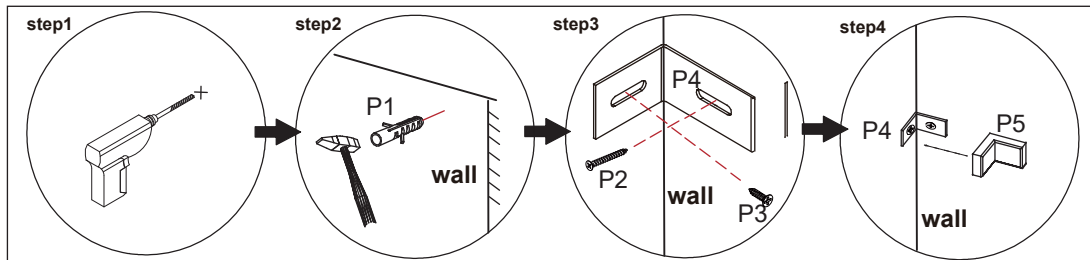


To adjust the gap from the door to the main frame turn the screw clockwise or anti-clockwise as needed.

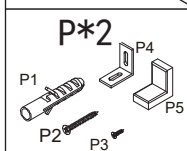
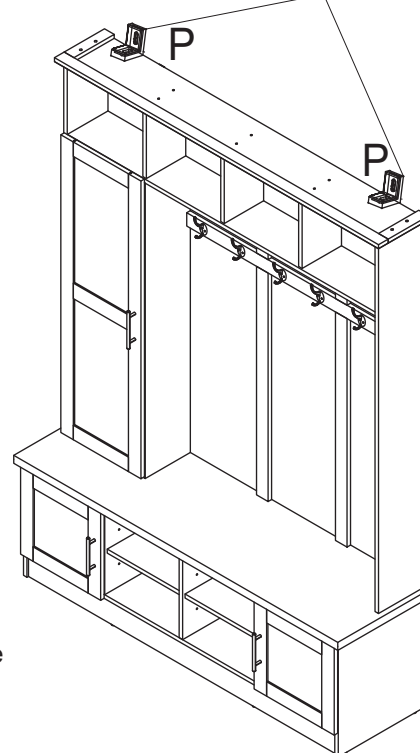
27.



28.



OR



This is anti-dumping L-type iron sheet, fixed to the wall of the product, can be required to change the installation location

29.

