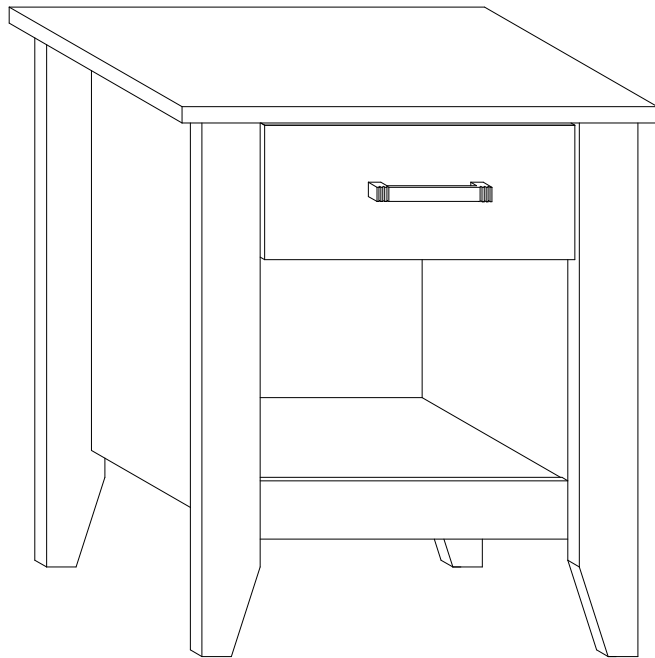
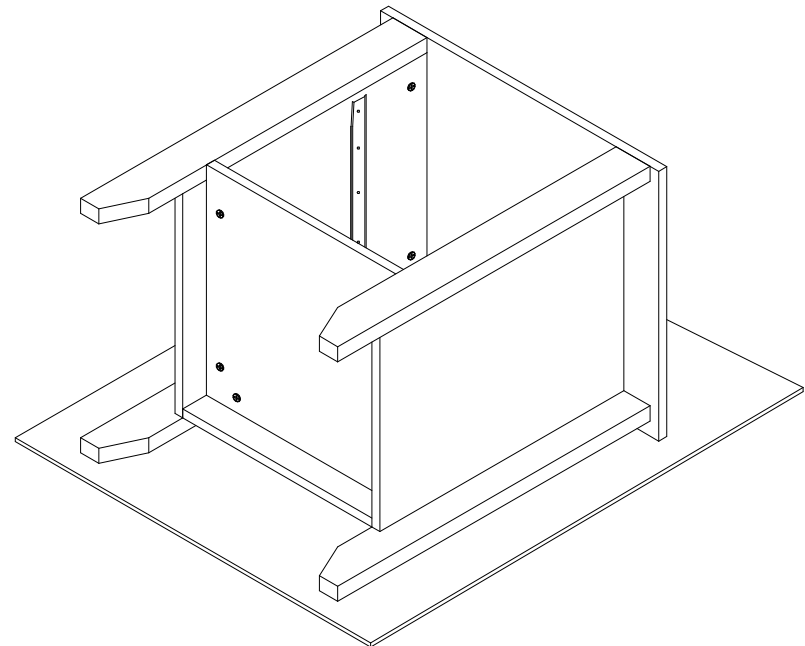
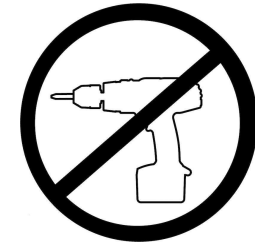
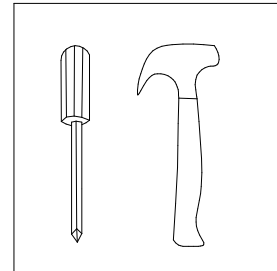


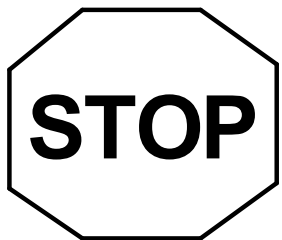
NIGHT STAND



Required Tools : Screwdriver & Hammer

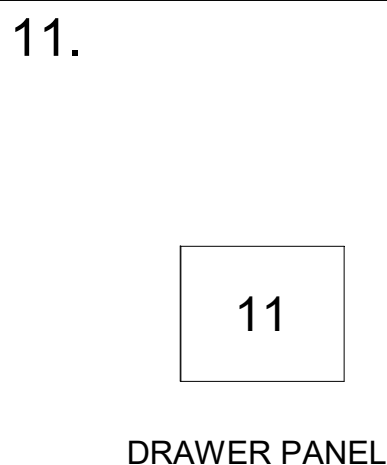
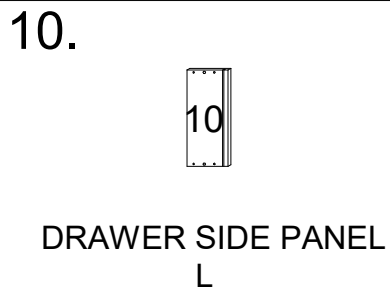
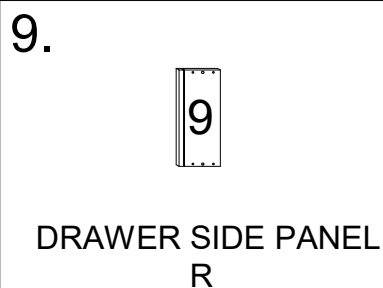
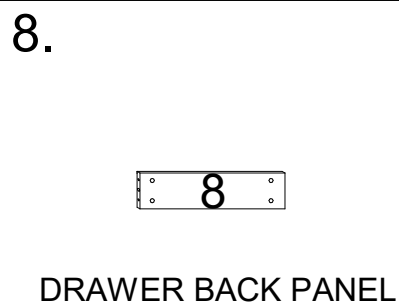
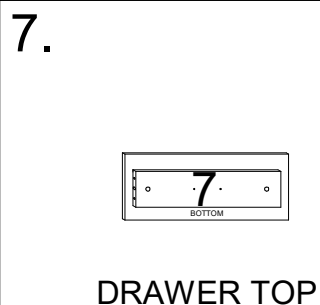
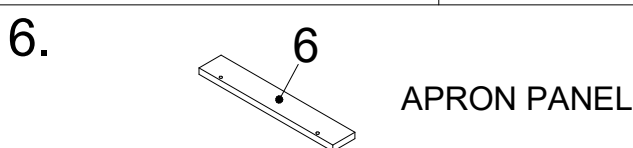
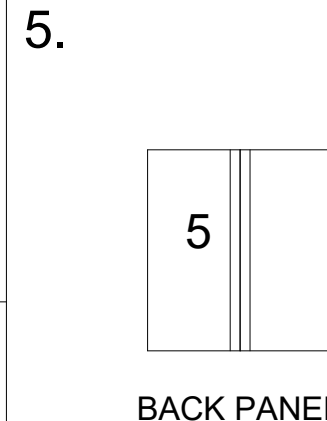
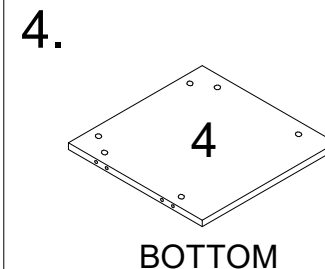
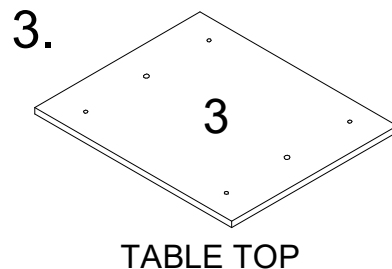
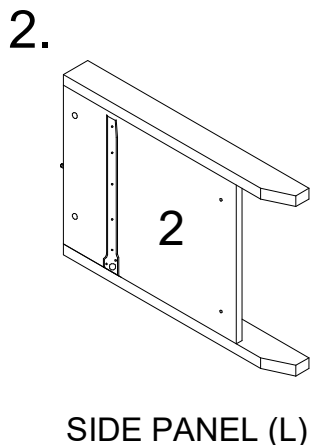
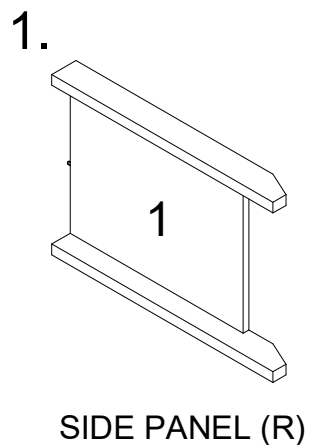


Please place on the carton while installing to prevent damage or scratches.



ASSEMBLY INSTRUCTION (PART & HARDWARE LIST)

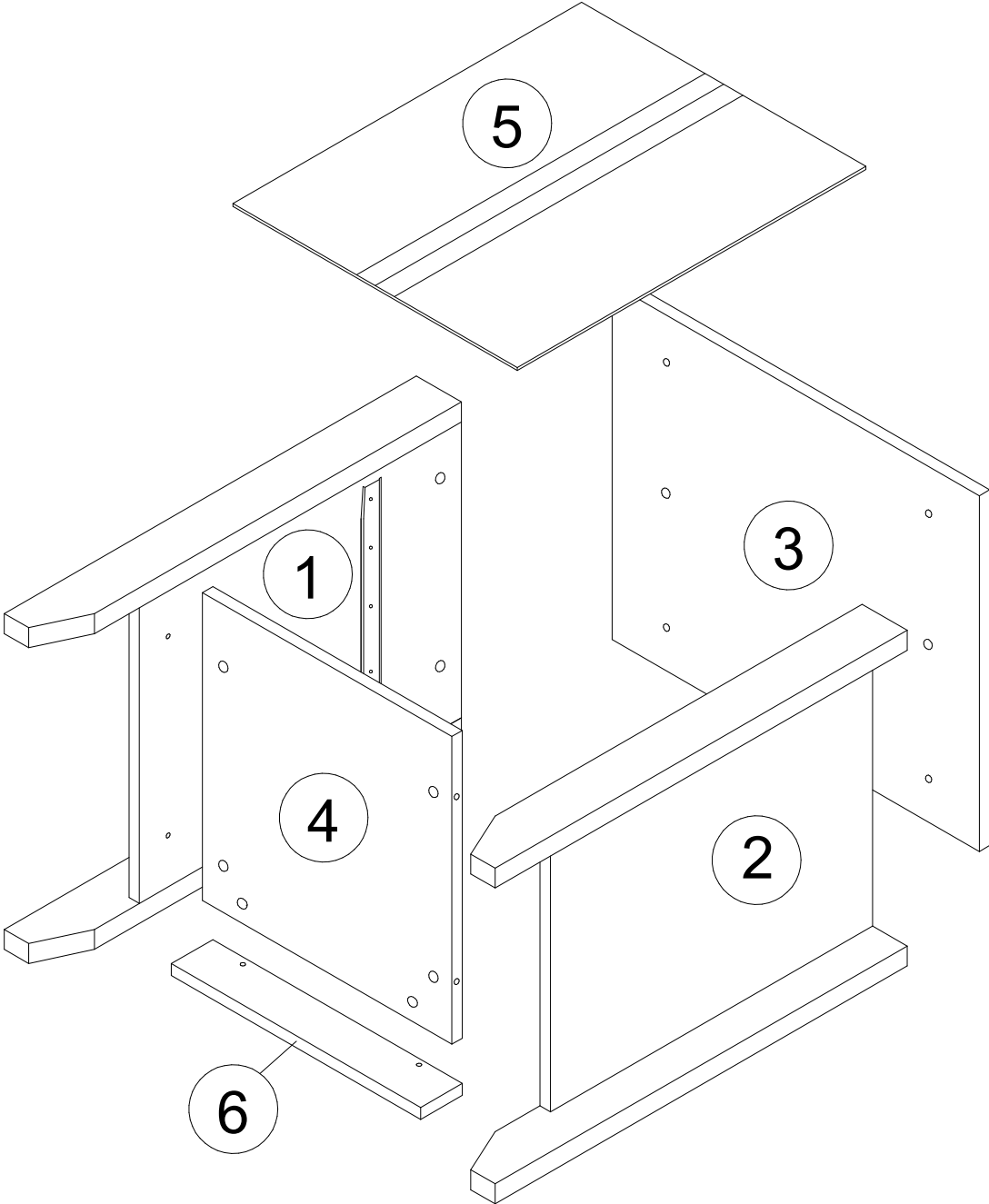
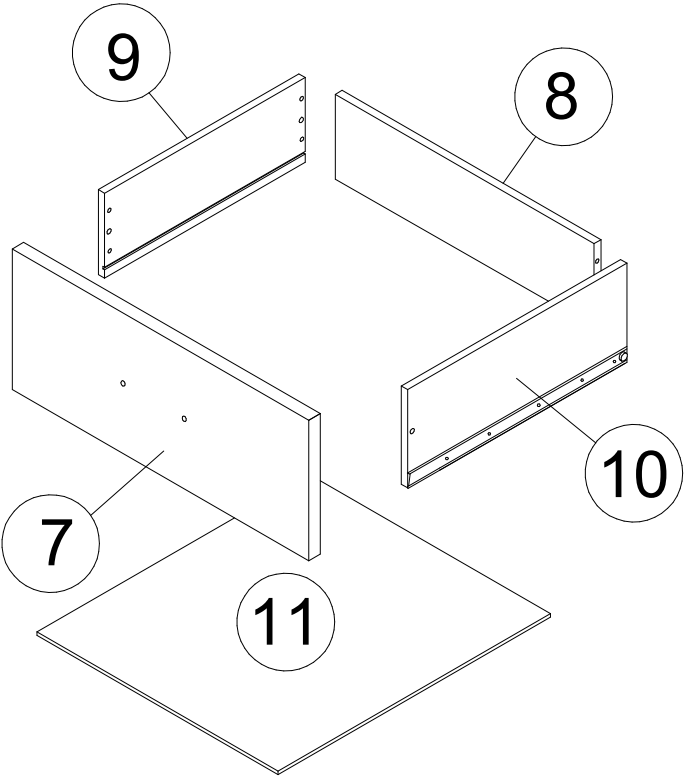
NIGHT STAND



NO	HARDWARE DESCRIPTION	QTY
A.	Handle 	1
B.	Handle Screw M4 X 40mm 	2
C.	Wood Dowel M6 X 30mm 	6
D.	JCBC Bolt M6 X 50mm 	2
E.	Nail 	22
F.	Wood Dowel M8 X 30mm 	6
G.	Allen Key 	1
H.	Cam Screw 	14
I.	Cam Lock 	14
J.	Barrel Nut M6 X 13mm 	2

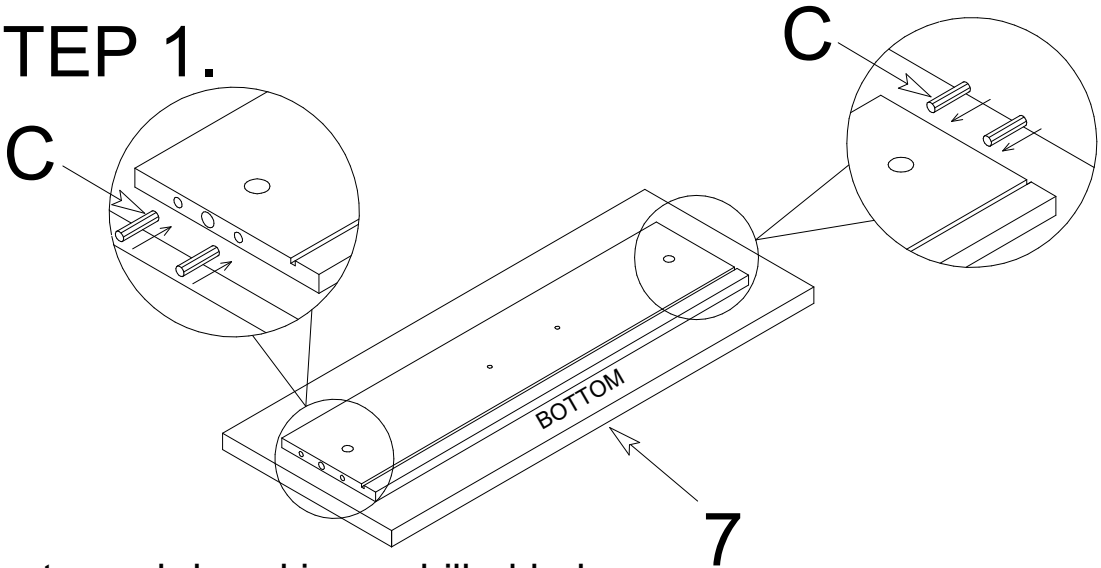
*Screw Driver and Hammer Not Provided

NIGHT STAND



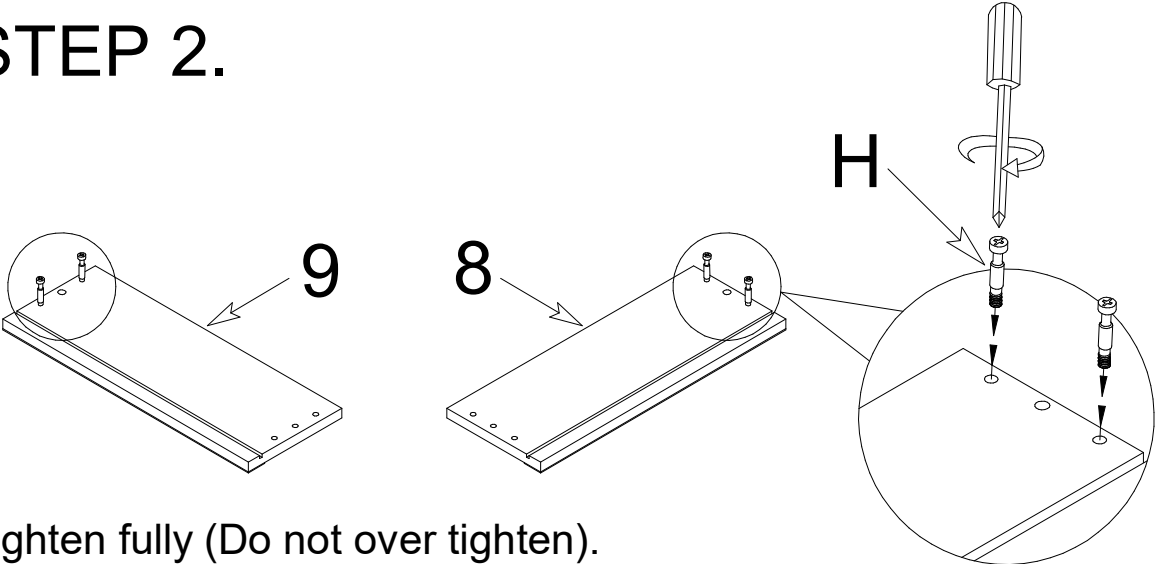
ASSEMBLY INSTRUCTION NIGHT STAND

STEP 1.



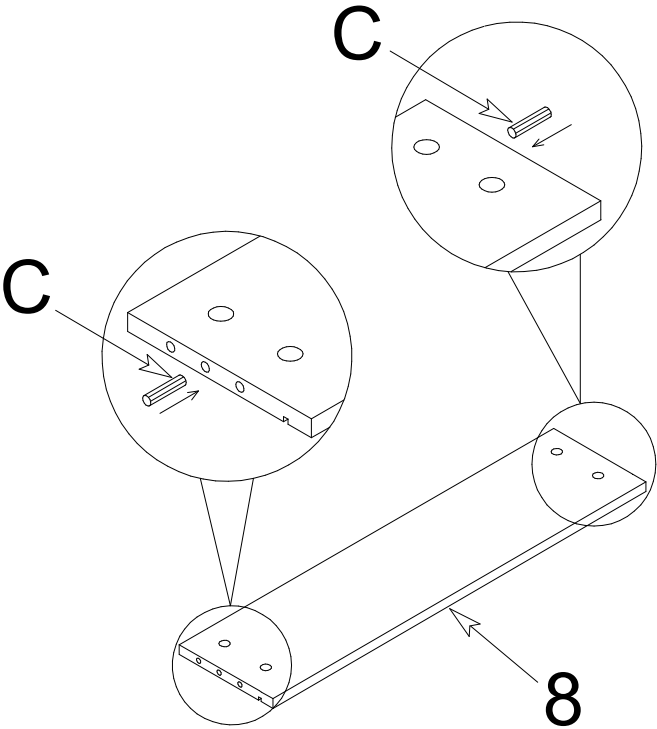
Insert wood dowel in predrilled hole.

STEP 2.



Tighten fully (Do not over tighten).

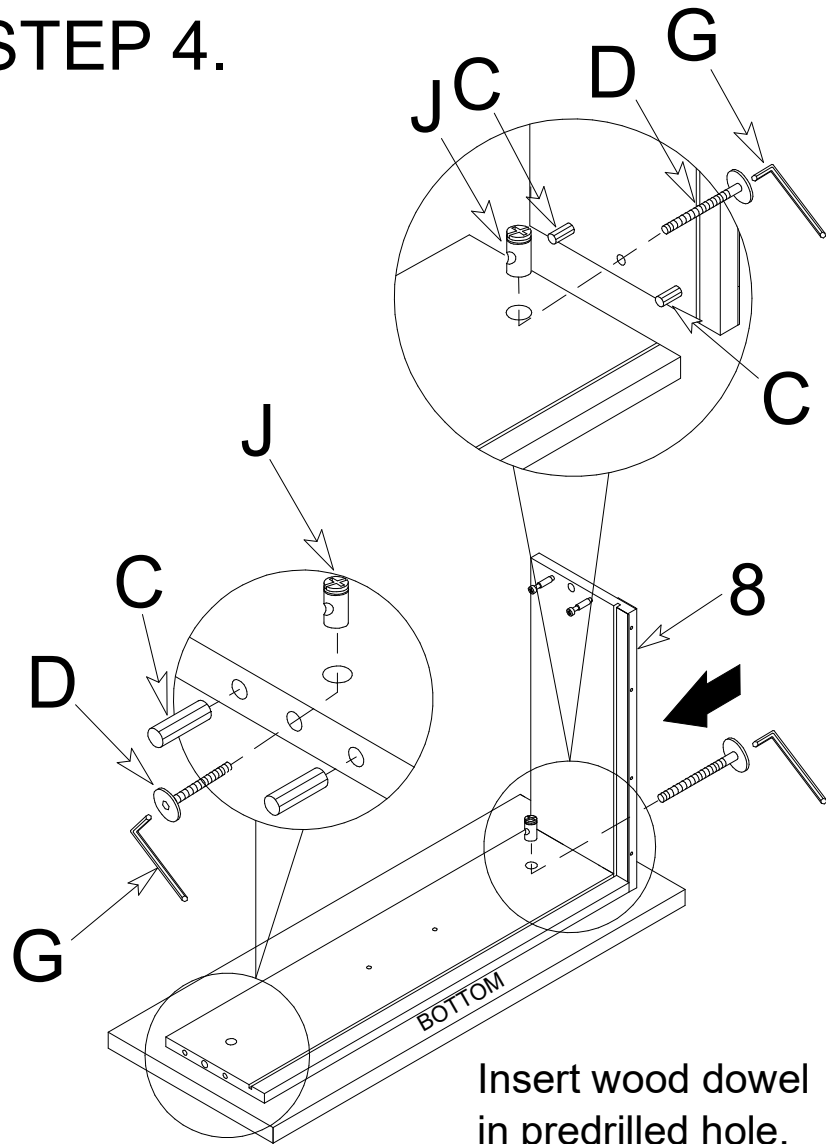
STEP 3.



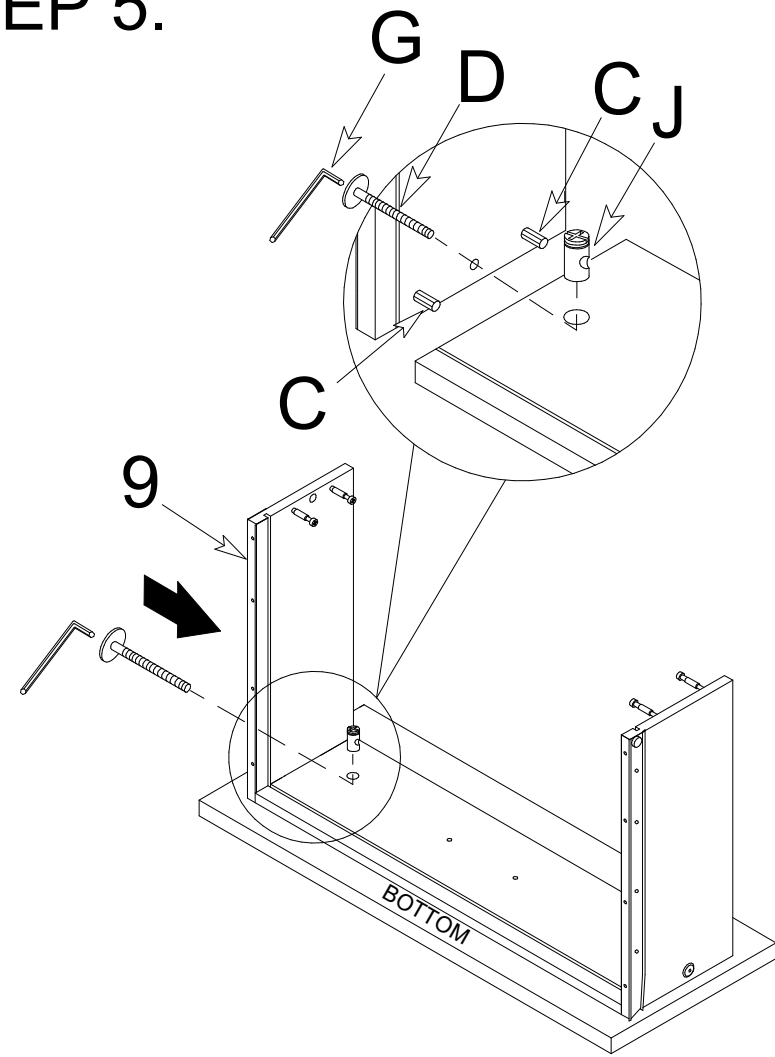
Insert wood dowel in predrilled hole.

ASSEMBLY INSTRUCTION NIGHT STAND

STEP 4.

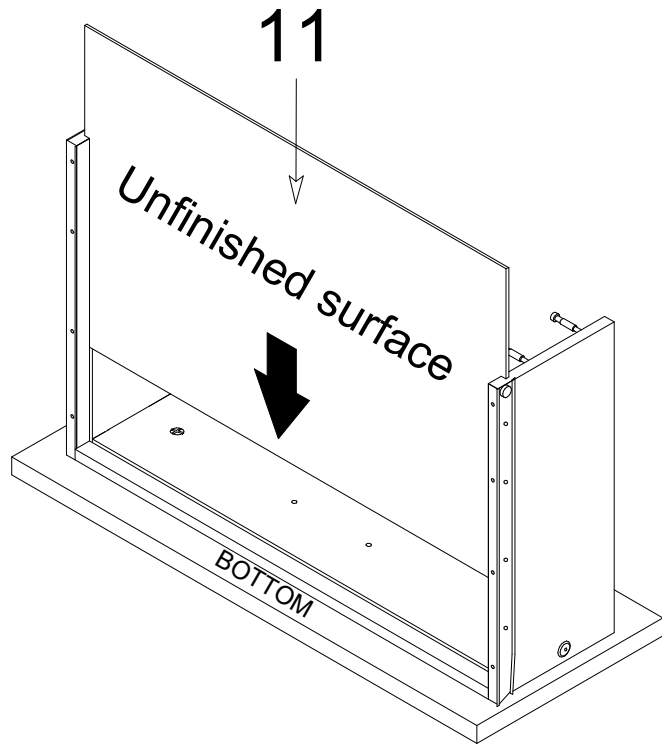


STEP 5.

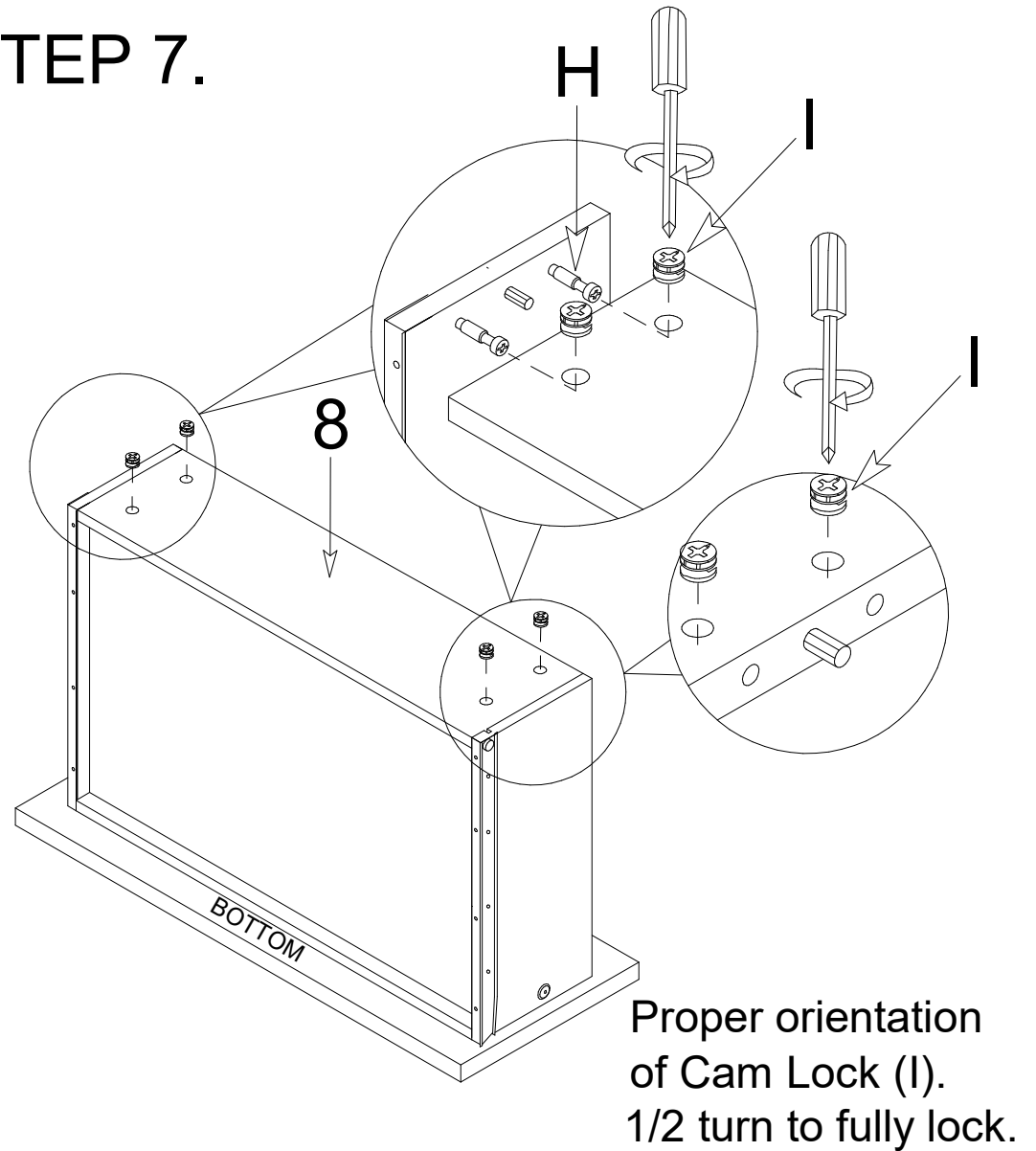


ASSEMBLY INSTRUCTION NIGHT STAND

STEP 6.

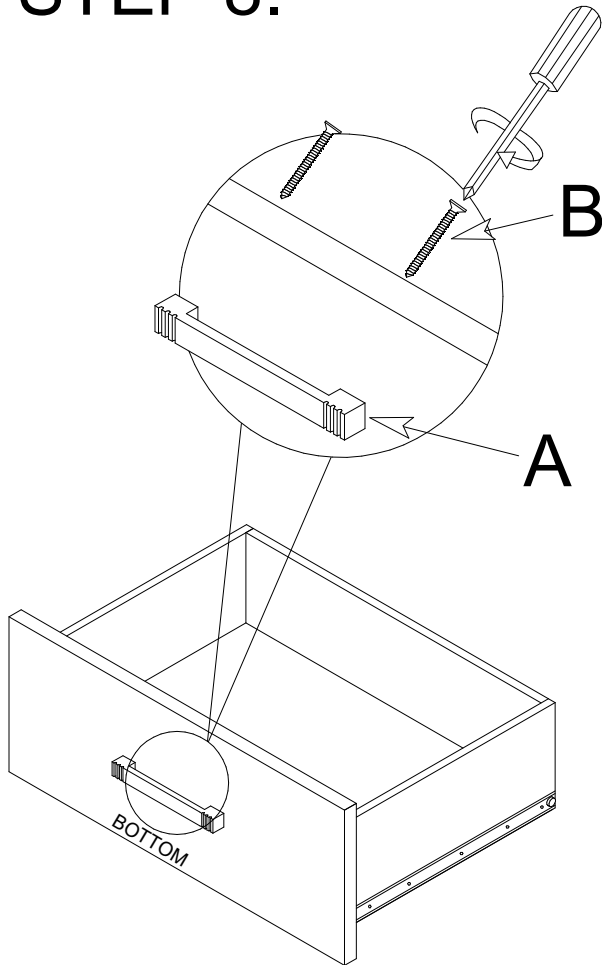


STEP 7.



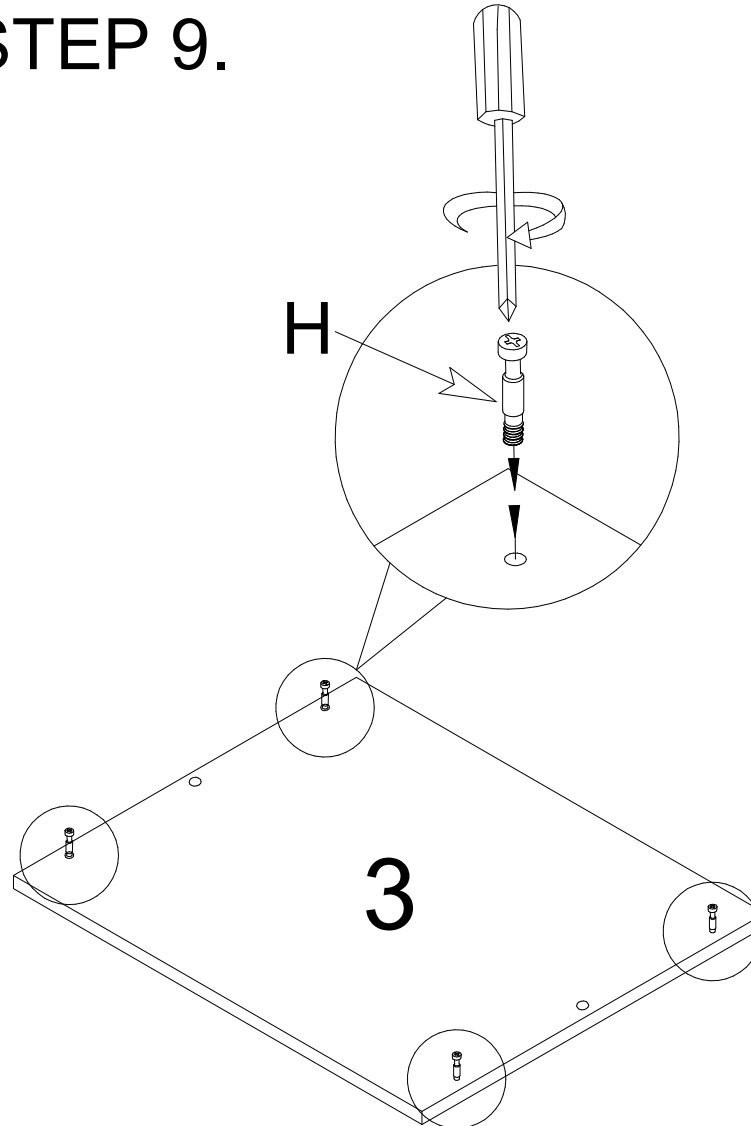
ASSEMBLY INSTRUCTION NIGHT STAND

STEP 8.



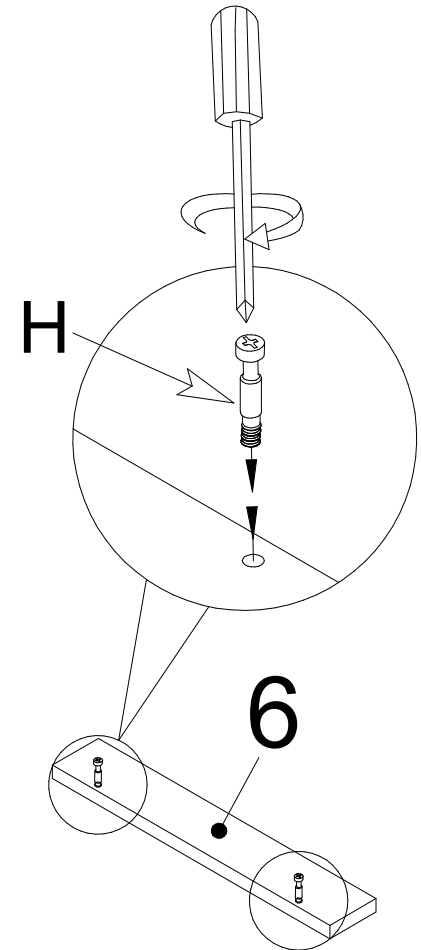
Attach handle using handle screw (B).

STEP 9.



Tighten fully. (Do not over tighten).

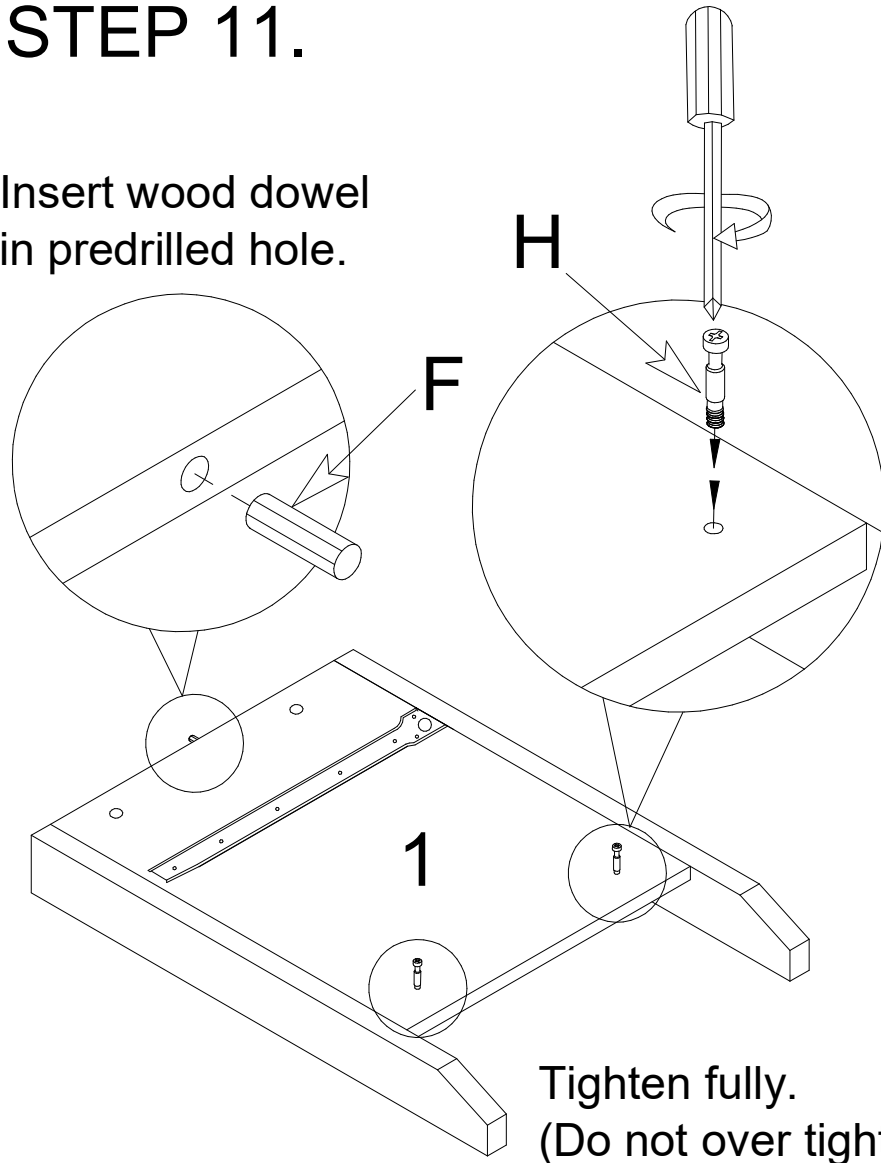
STEP 10.



ASSEMBLY INSTRUCTION NIGHT STAND

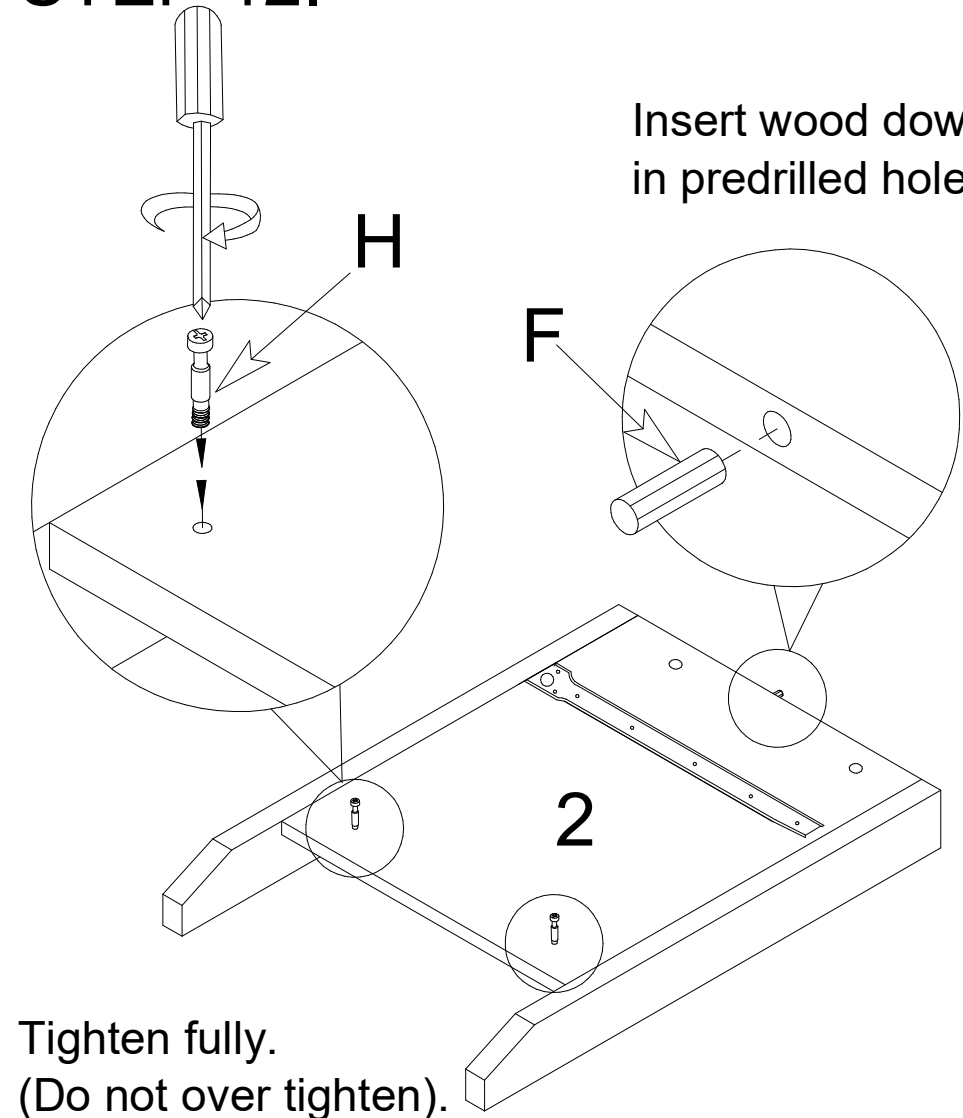
STEP 11.

Insert wood dowel
in predrilled hole.



STEP 12.

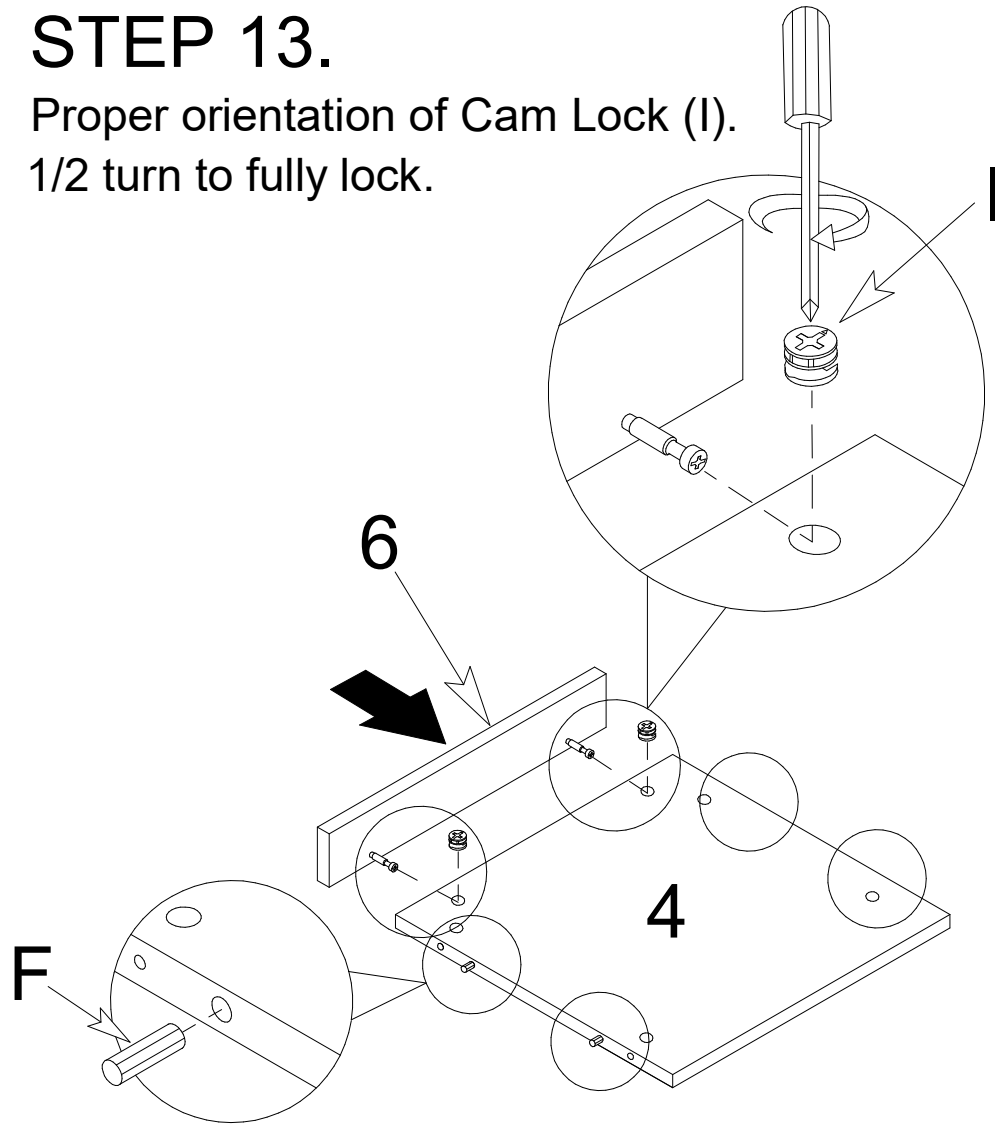
Insert wood dowel
in predrilled hole.



ASSEMBLY INSTRUCTION NIGHT STAND

STEP 13.

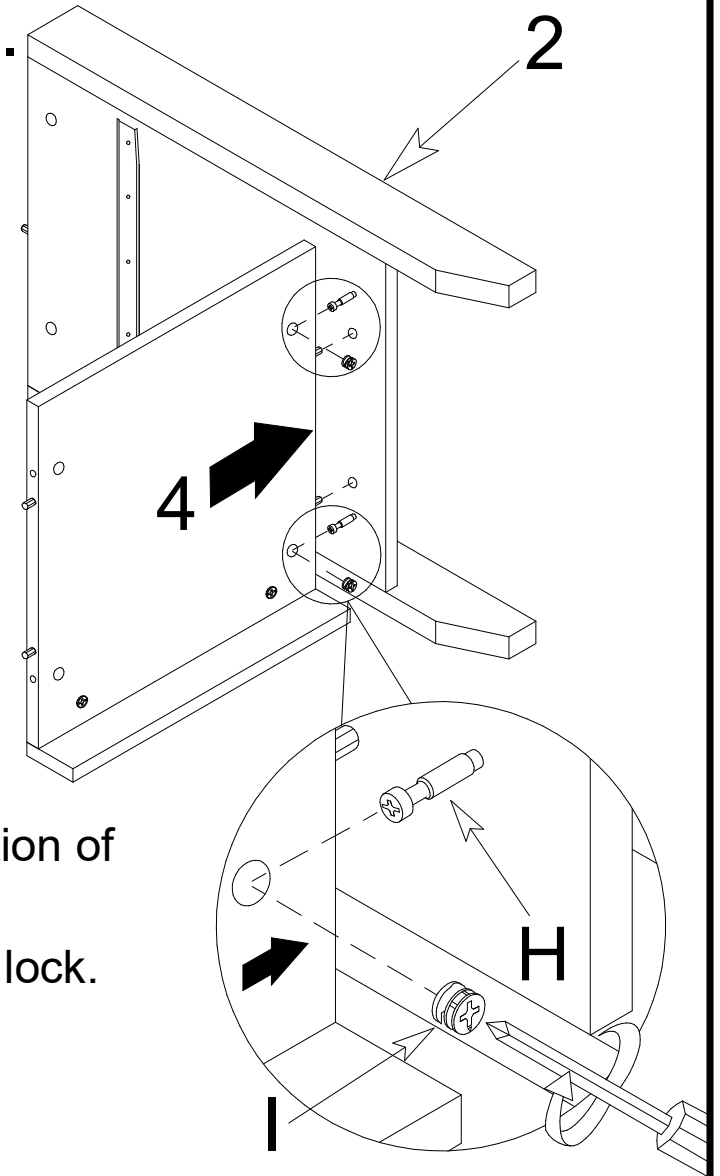
Proper orientation of Cam Lock (I).
1/2 turn to fully lock.



Insert wood dowel in predrilled hole.

STEP 14.

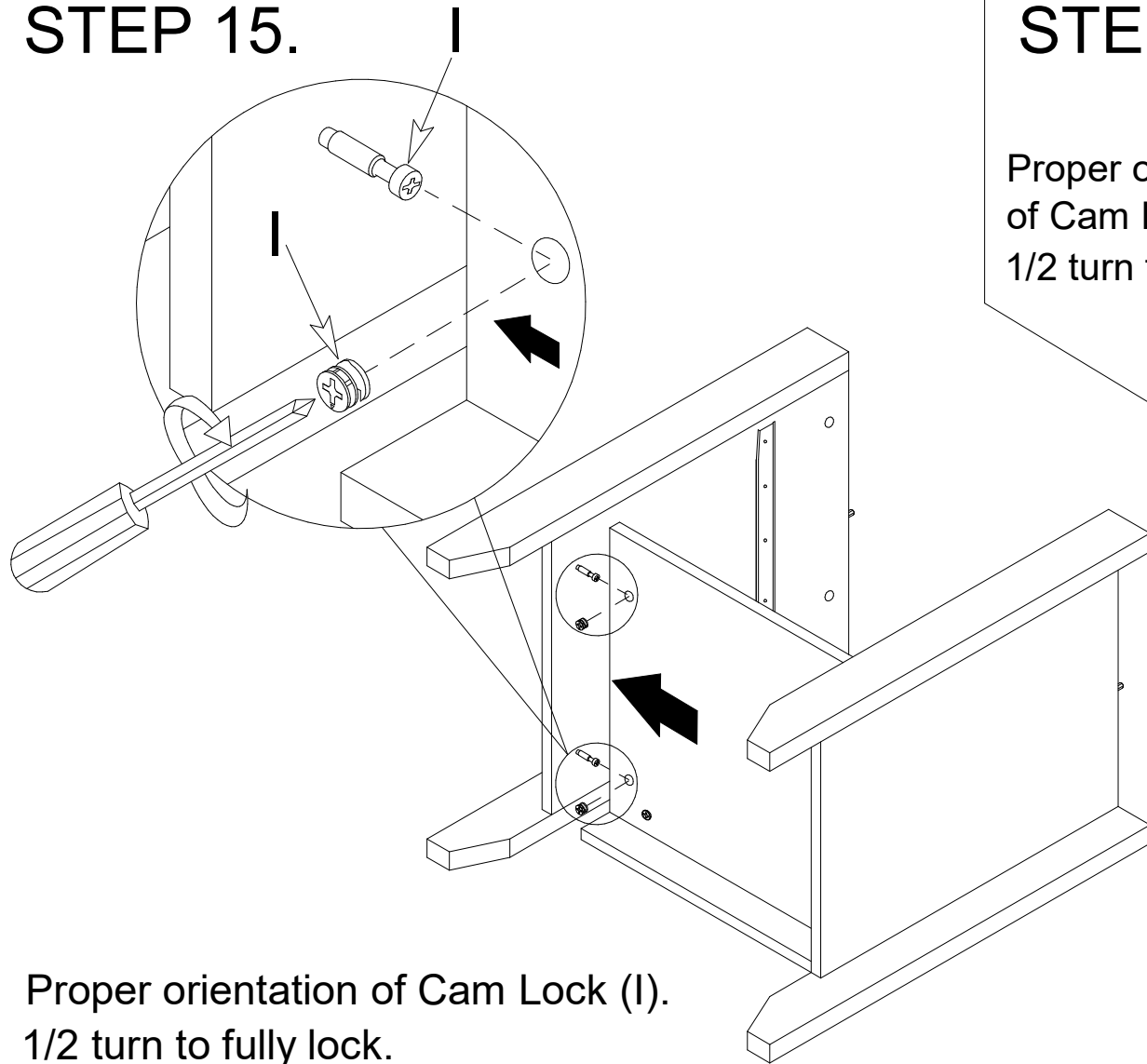
Proper orientation of
Cam Lock (I).
1/2 turn to fully lock.



ASSEMBLY INSTRUCTION

NIGHT STAND

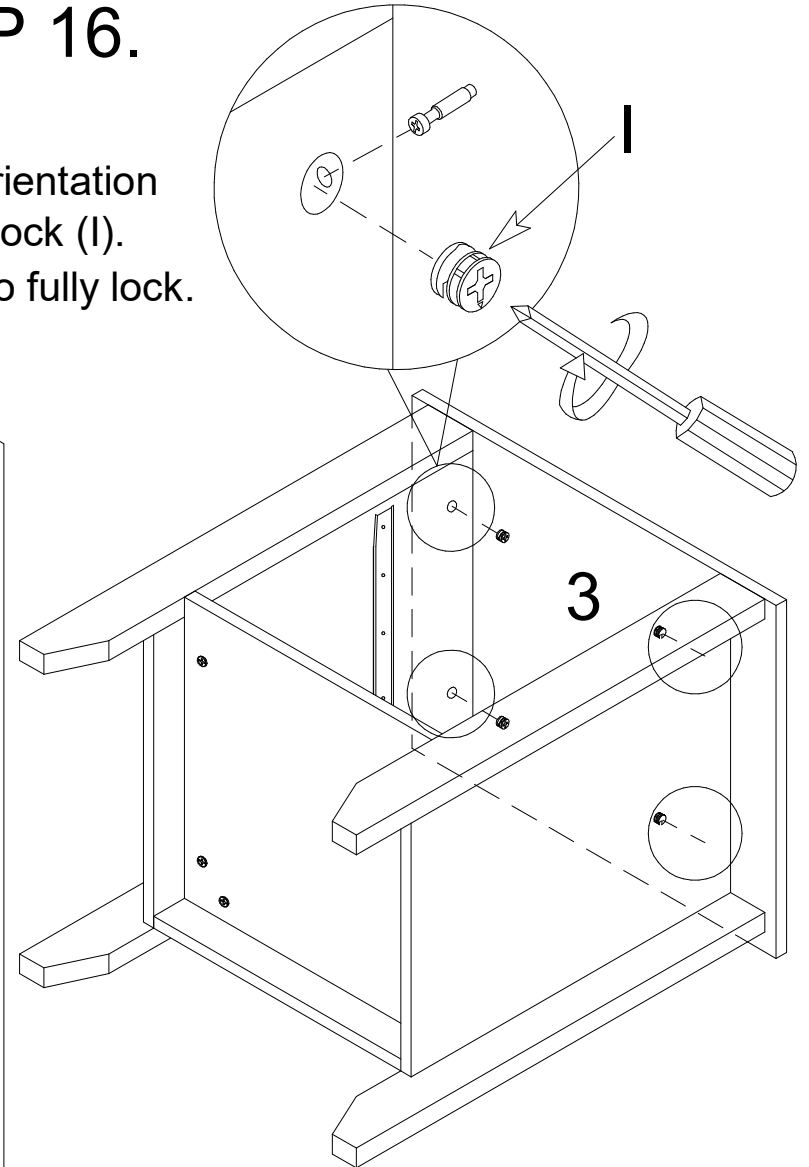
STEP 15.



Proper orientation of Cam Lock (I).
1/2 turn to fully lock.

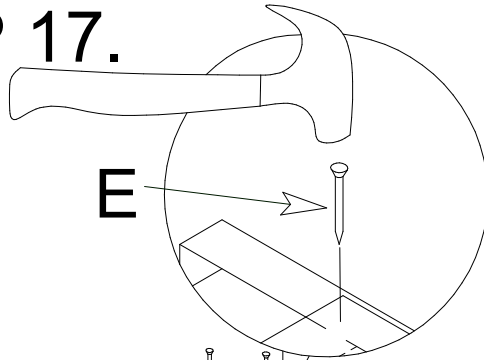
STEP 16.

Proper orientation
of Cam Lock (I).
1/2 turn to fully lock.

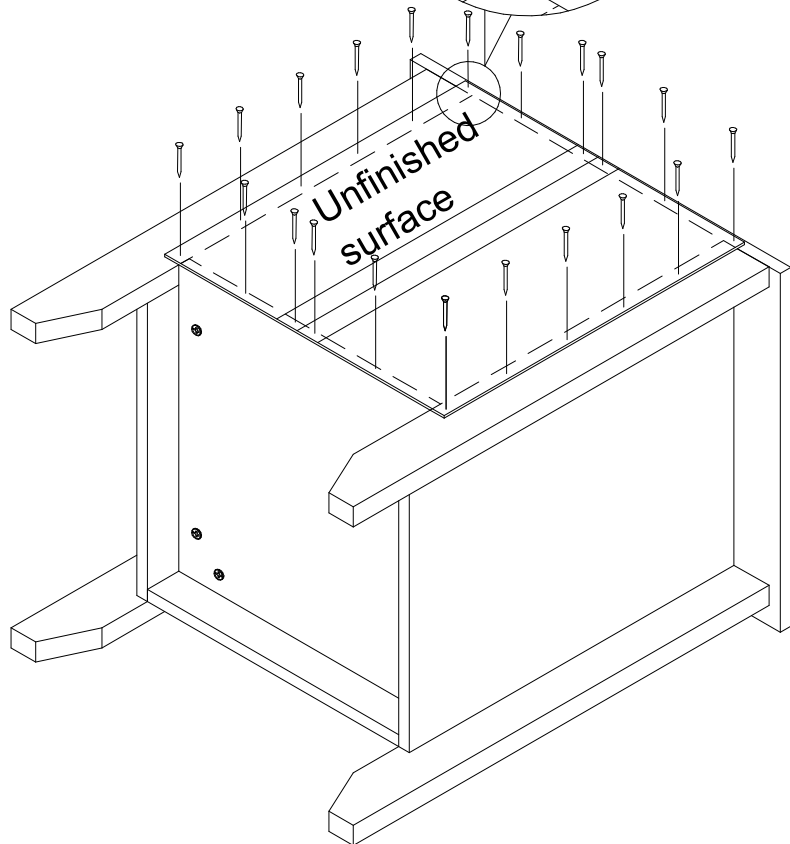


ASSEMBLY INSTRUCTION NIGHT STAND

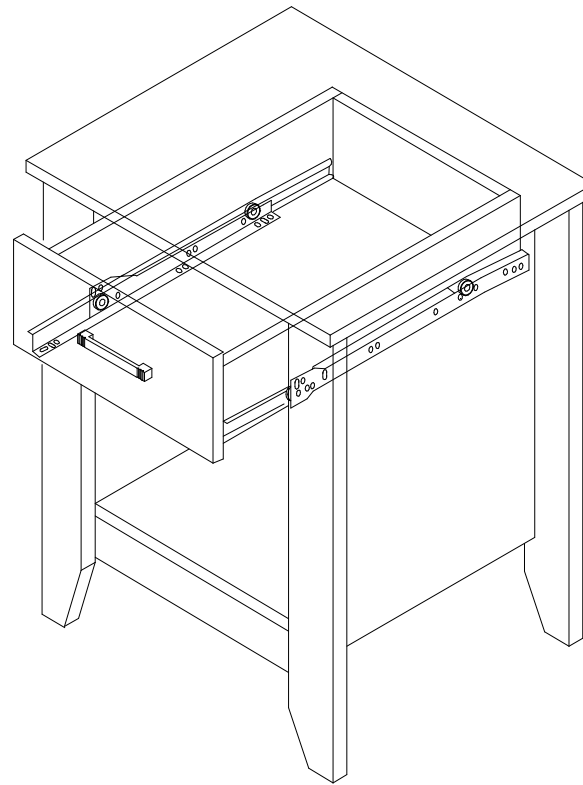
STEP 17.



Please make sure unfinished surface facing upwards before hammering the nails.



STEP 18.



Put in drawer on the track.

